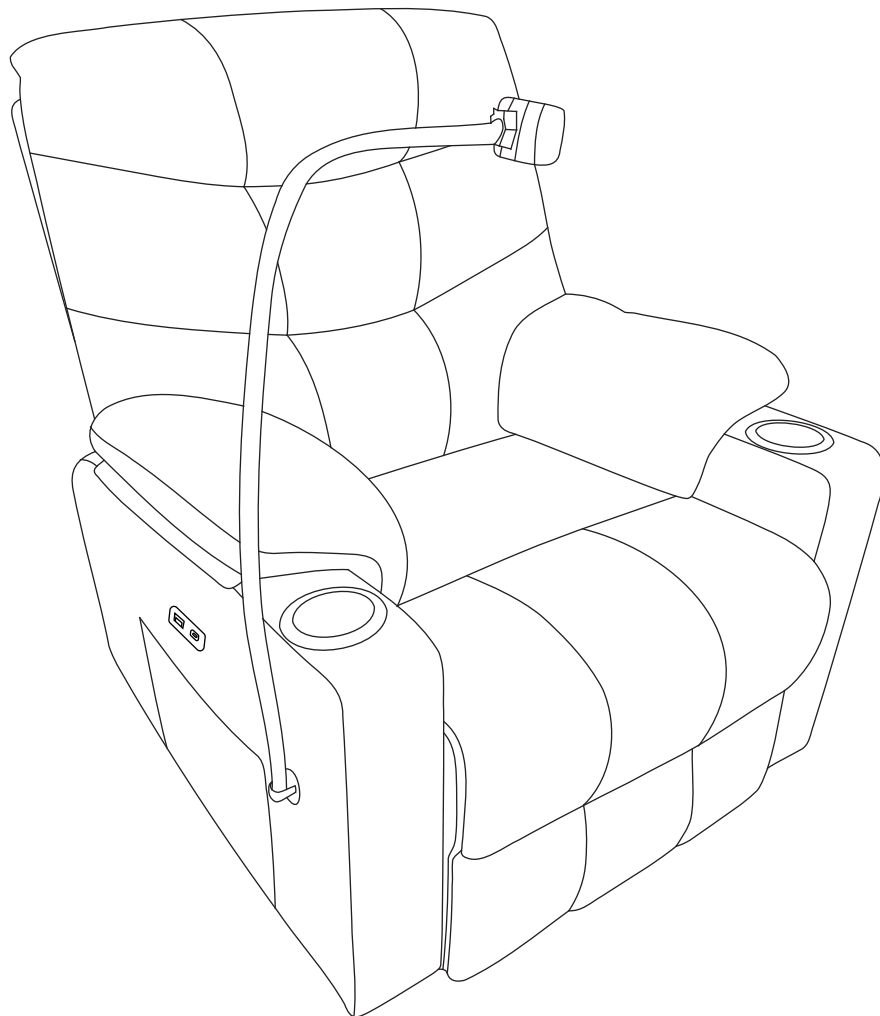
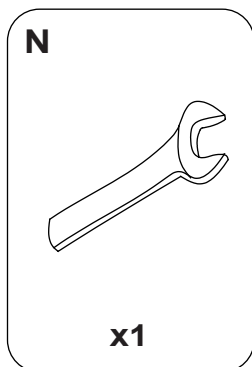
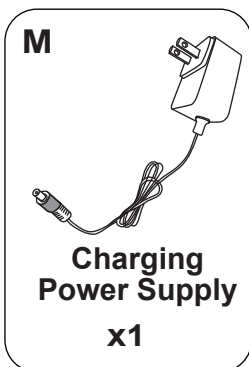
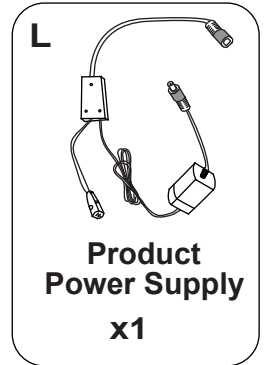
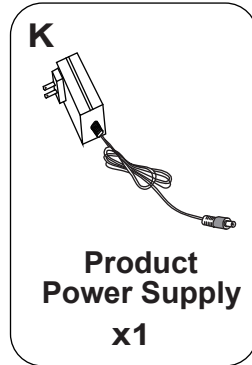
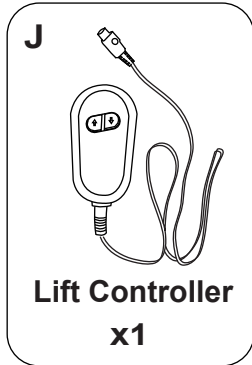
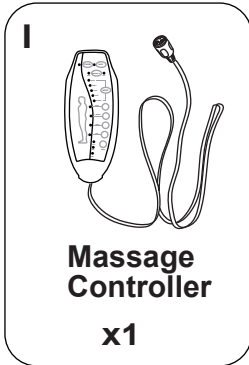
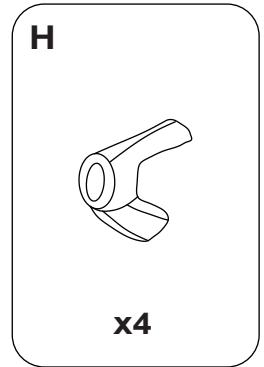
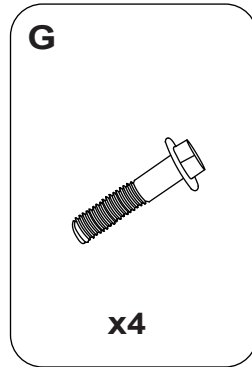
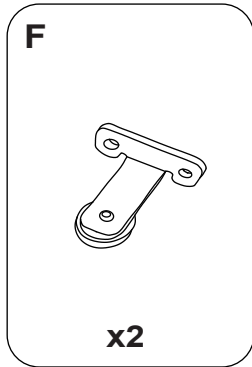
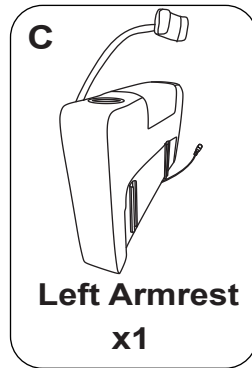
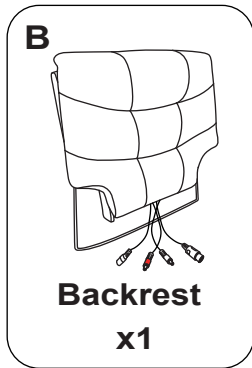
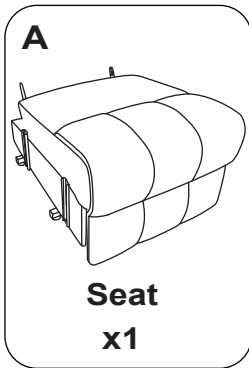


INSTRUCTION MANUAL

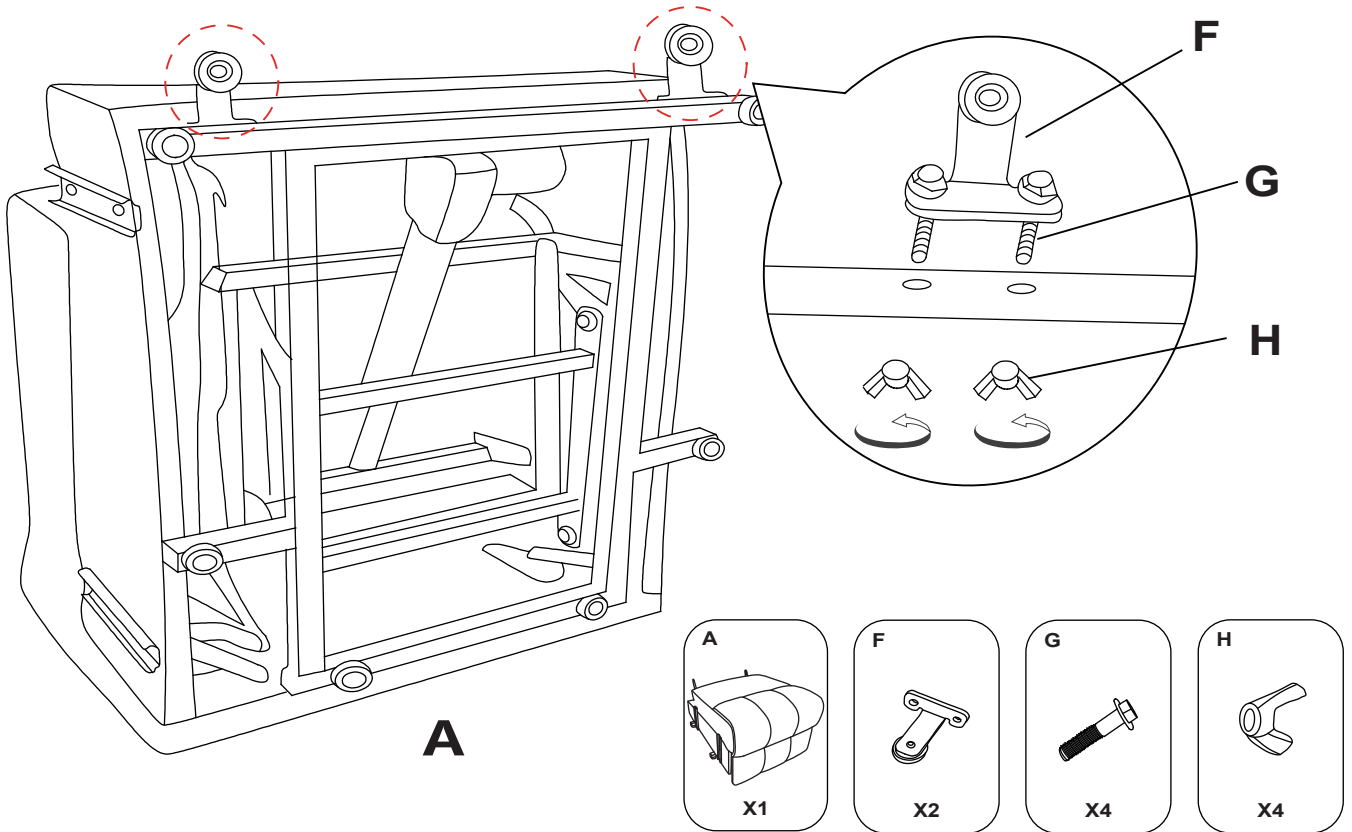


COMPONENTS No.

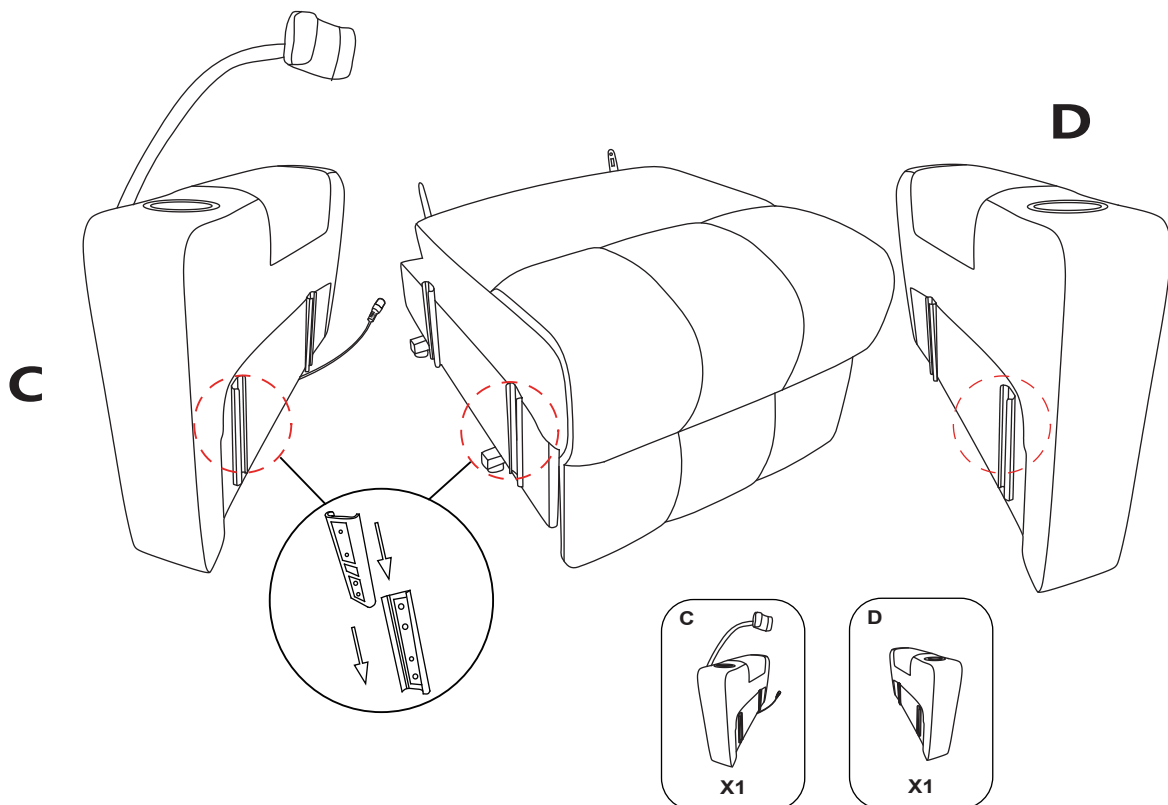


INSTALLATION PROCEDURE

Step 1: Take out the anti-fall foot (F) and flip the seat (A) so the bottom is facing upward. Assemble the two anti-fall feet with the screw (G) and wingnut (H) as shown on the bottom of mechanism to avoid toppling and falling

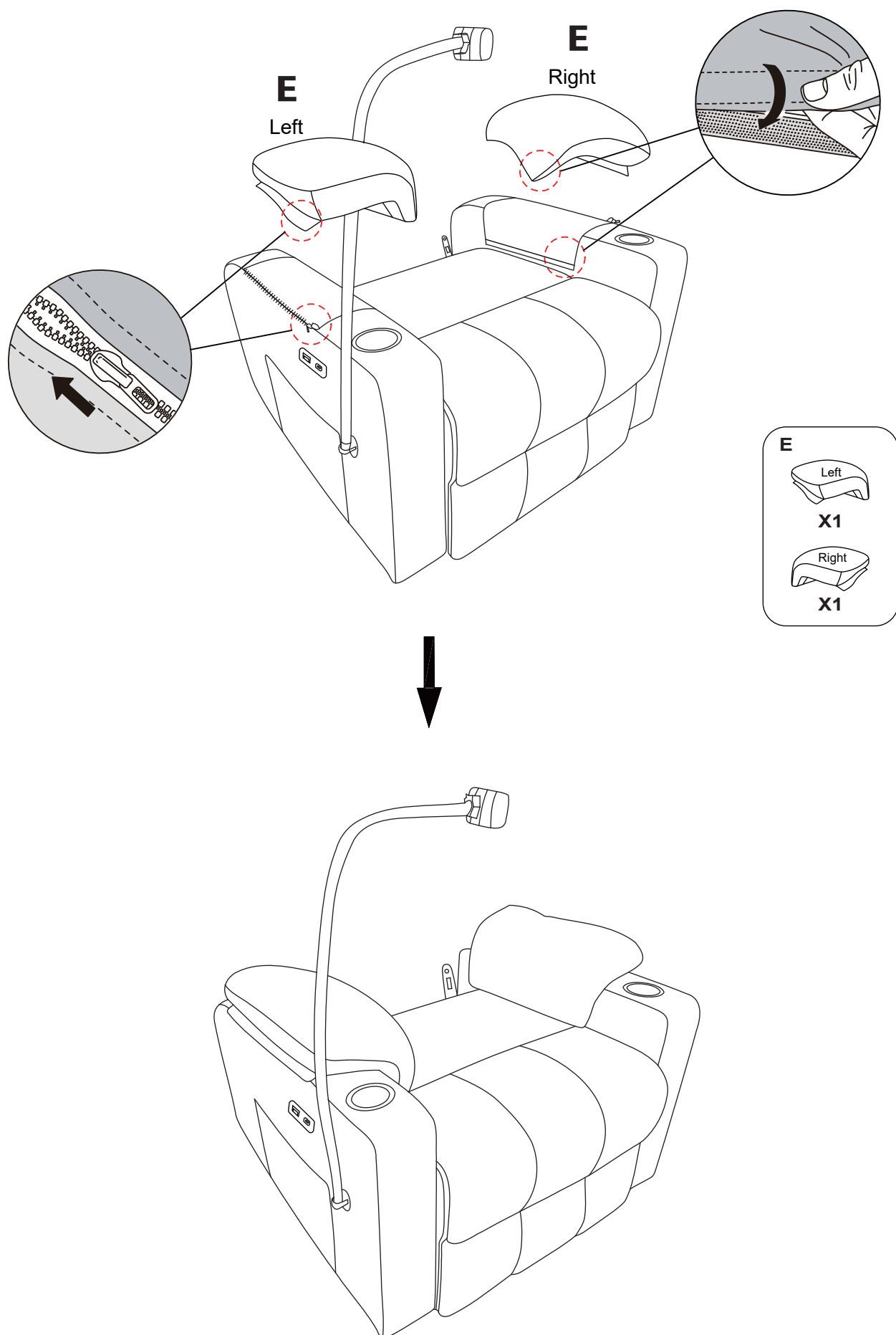


Step 2: Connect the Armrests (C&D) to the seat (A) by aligning the metal grooves and sliding down to the bottom. Note: If the nut at the bottom of the phone holder is not tightened. Tighten with wrench (N).



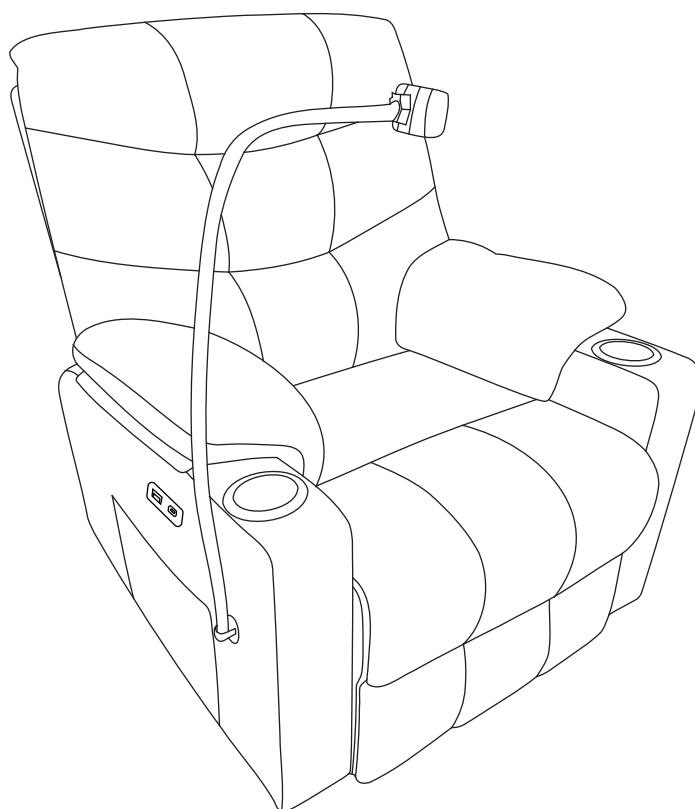
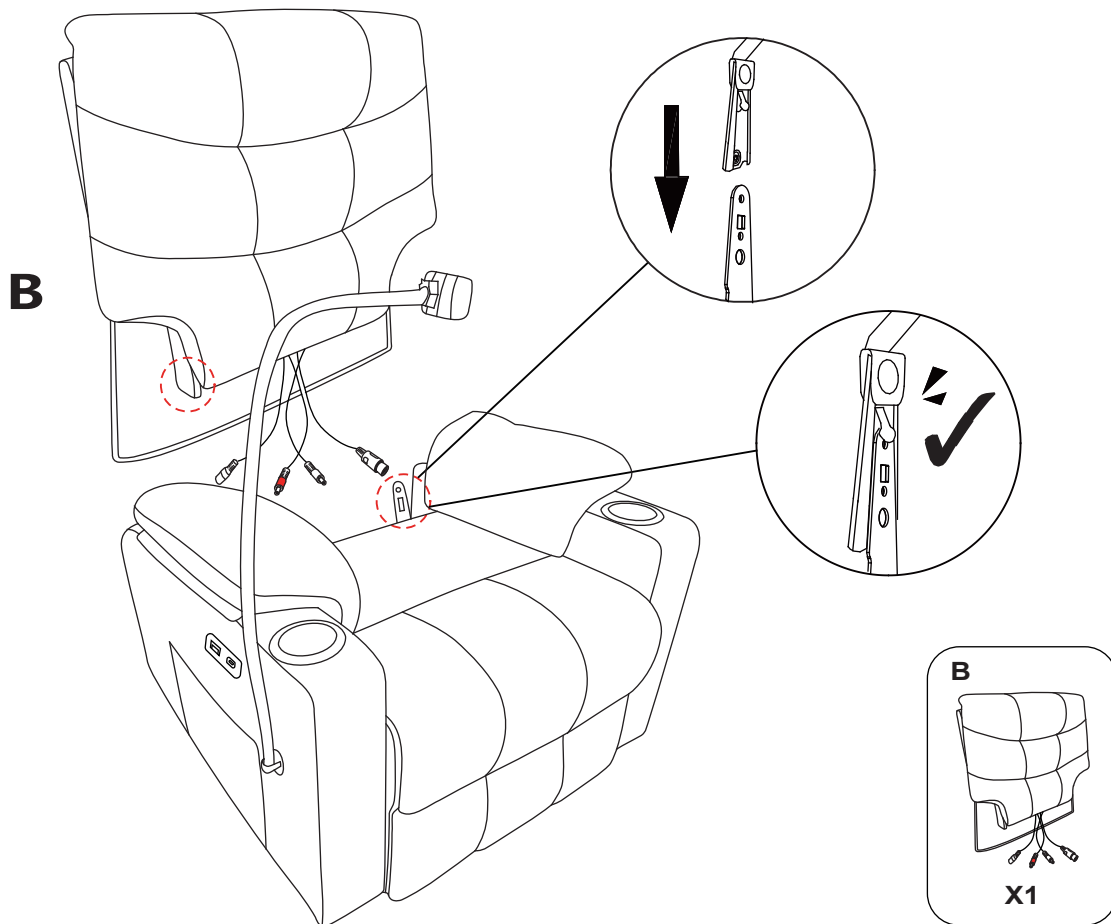
INSTALLATION PROCEDURE

Step 3: Fasten the armrest bag (E) to the armrest (C & D) with the zipper and attach the bottom of the armrest bag to the inside of the armrest with Velcro.



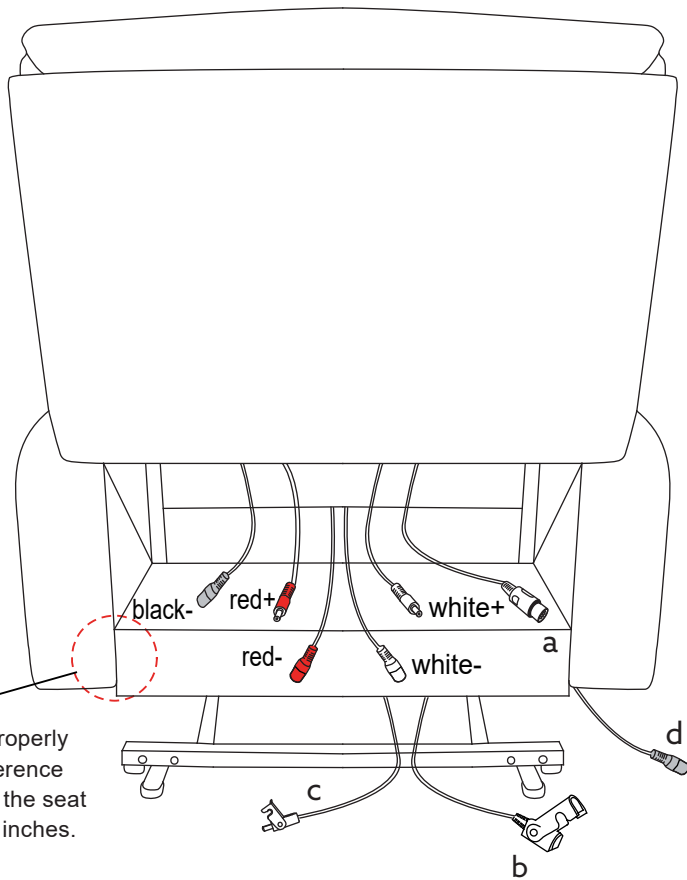
INSTALLATION PROCEDURE

Step 4: Attach the backrest (B) to the seat (A) by aligning the metal grooves and sliding to the bottom.

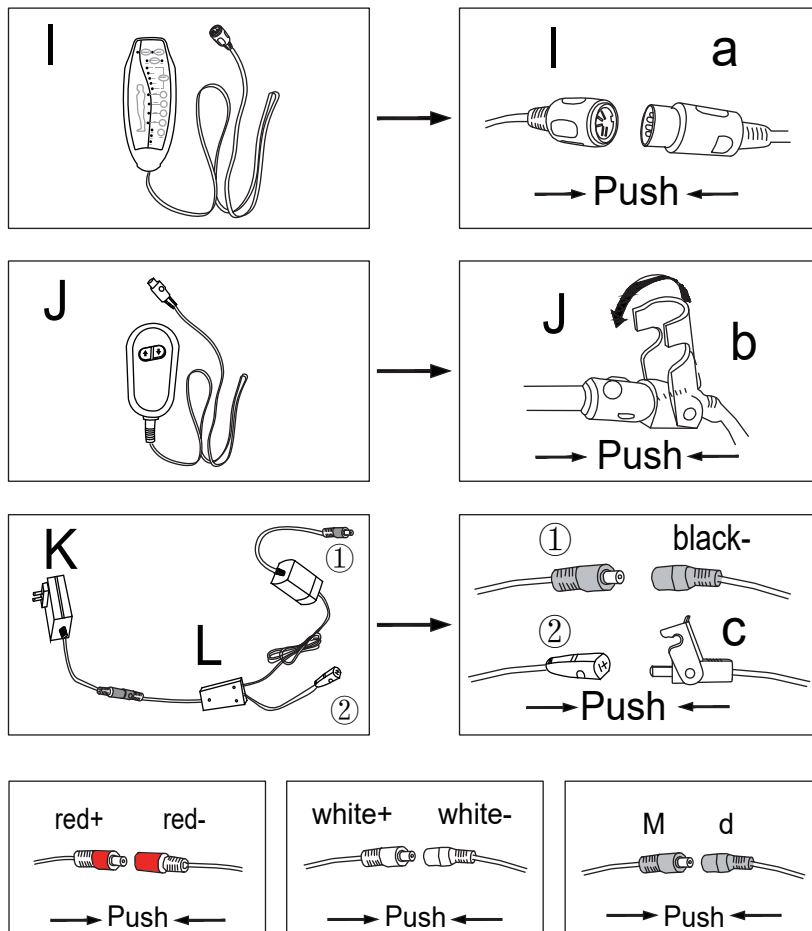
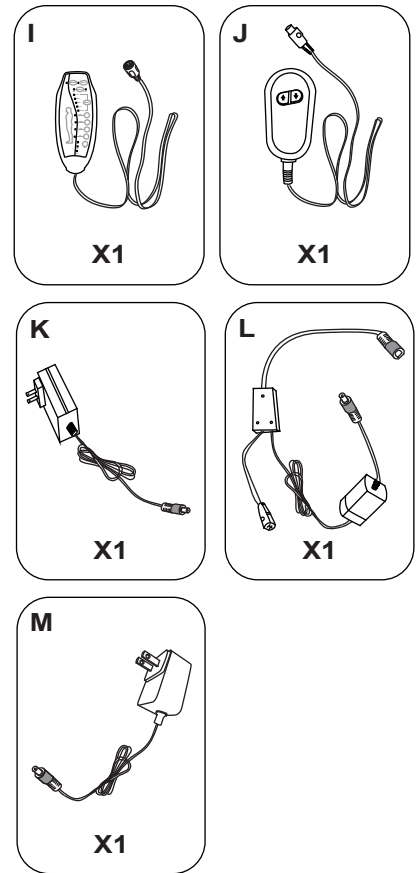


INSTALLATION PROCEDURE

Step 5: Connect the corresponding power cords as shown. Note: The anti-slip cover should be fixed, The power cable (K) needs to be connected to an adapter (L).

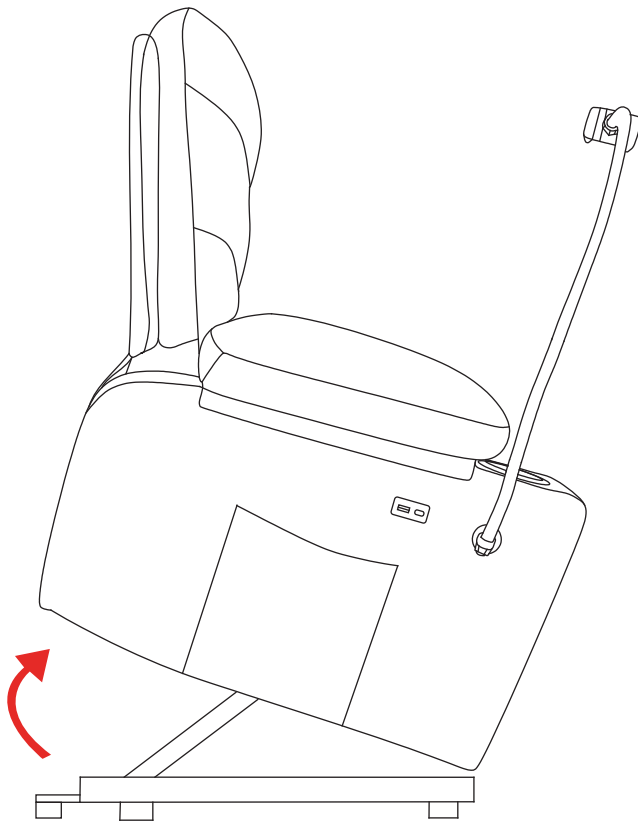


Ensure the armrest is properly inserted: the height difference between its bottom and the seat should be less than 0.2 inches.

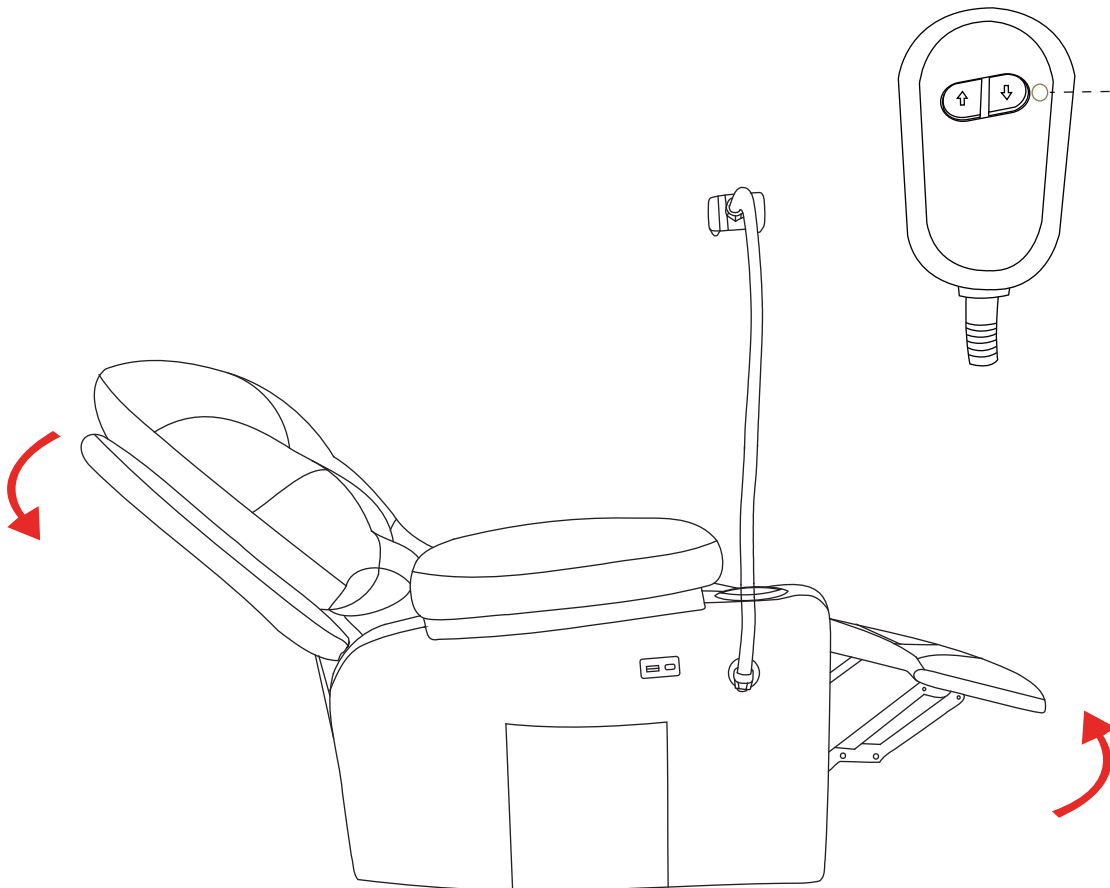
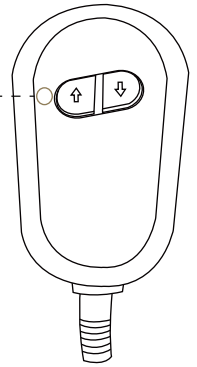


PRODUCT OPERATION

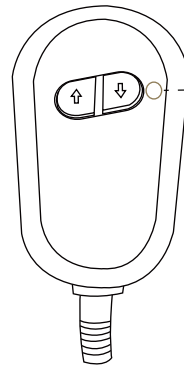
Step 6: The recliner can be lifted or reclined by the controller (J). It is equipped with USB and Type-C interfaces for charging.



TO LIFT: Press the button until your feet reach the ground

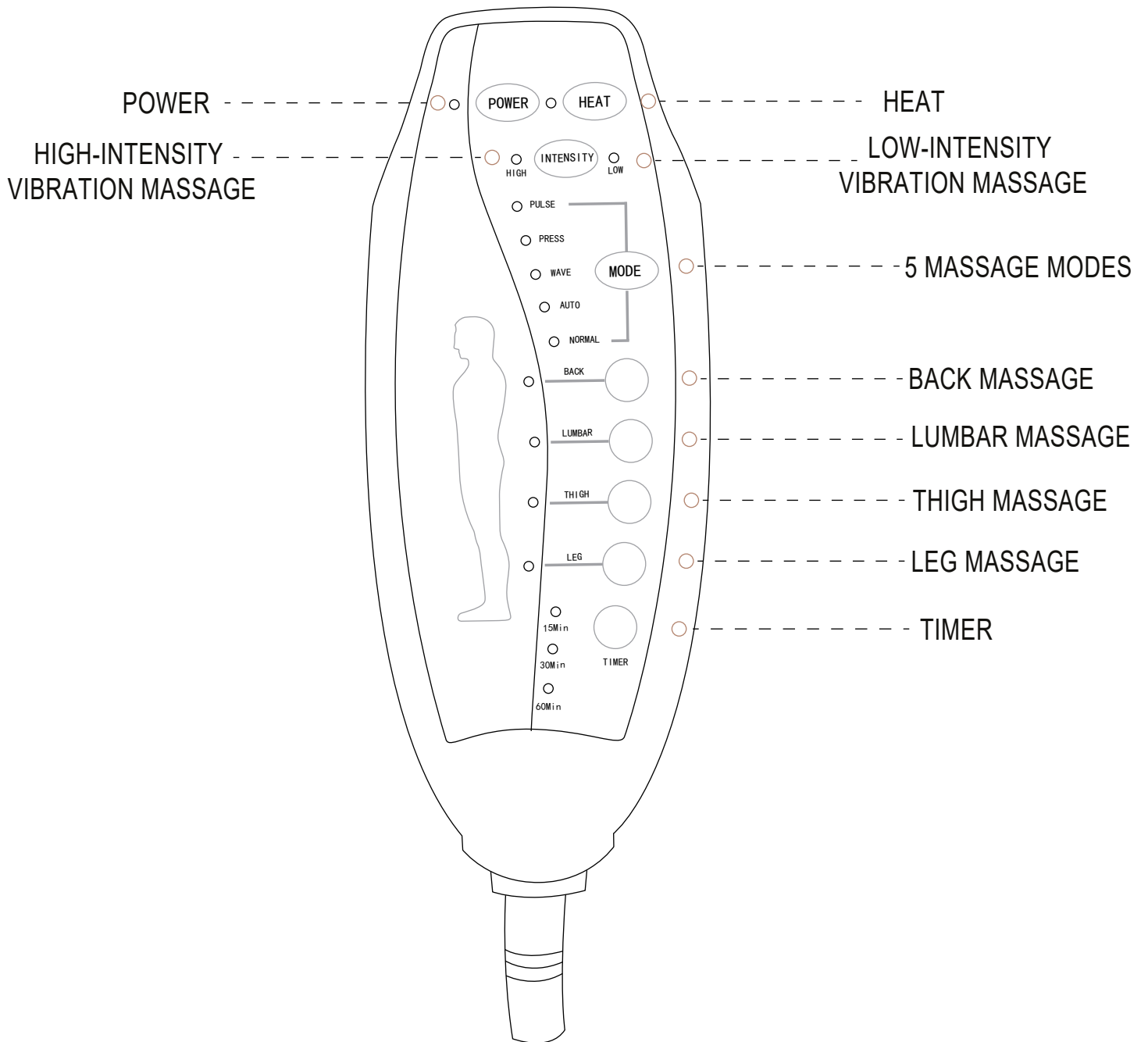


TO RECLINE: Press the button to achieve your desired angle



FUNCTION INTRODUCTION

Massage Controller Instructions



NOTICE

1. The product comes in 2 packages, please check if the components of the chair are all included and can be used normally as the 6th tip.
2. Assemble all components according to the instructions correctly before you connect the chair to the power.
3. Please DO NOT sit on the armrests or footrest to eliminate the risk of tipping over.
4. Please use it carefully to avoid sliding from the chair when lifting.
5. If the sofa is damaged or doesn't match the website product, please send clear pictures of the product and the label of the carton to our service team, and we'll help you solve the problem.
6. If the lift recliner doesn't work, you can try the following measures for self-checking firstly:
 - Check if all the cables are connected:
 - Check if the light of the transformer is on;
 - If the motor has a weak buzz on the condition that two steps above are normalIf the chair still doesn't work, please feed the information back to customer service in time. We will help you solve the problem as soon as possible.
7. Do not pull out the plug to turn off this product. Turn off all functions before unplugging this product.
8. If you have any questions with the product, please contact us, and we will reply within 24 hours.

WARNING

Manufacturer and seller expressly disclaim any and all liability for personal injury, property damage or loss, whether direct, indirect, or incidental, resulting from the incorrect attachment, improper use, inadequate maintenance, unapproved modification, or neglect of this product.

Help Center

Question about your product? We're here to help.



info@homdox.net



<https://homdox.net/>



<https://www.facebook.com/Homdox>