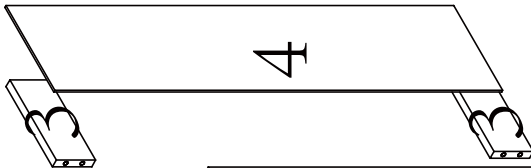
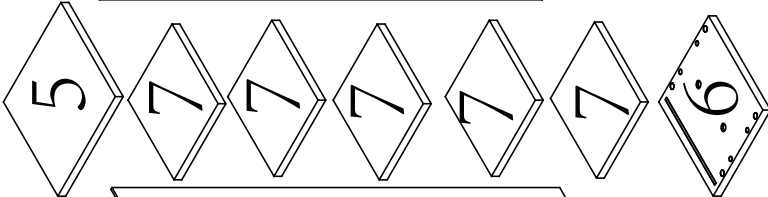
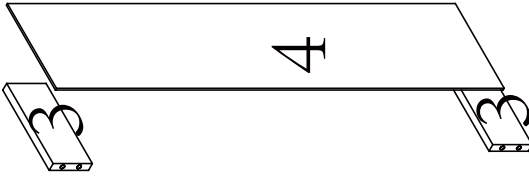
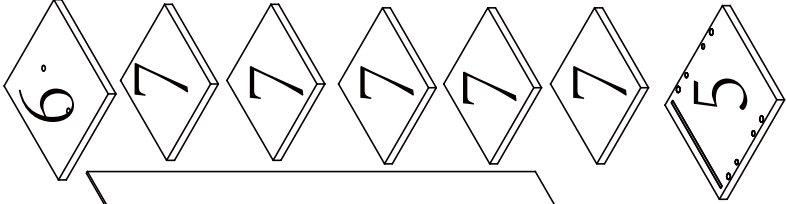
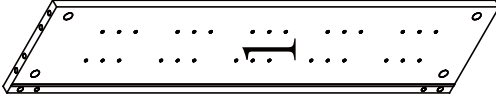
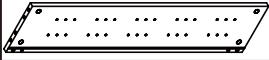
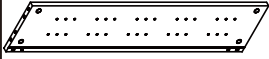
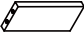

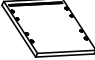










READ AND SAVE THIS INSTRUCTION FOR FUTURE USE

ASSEMBLY INSTRUCTION

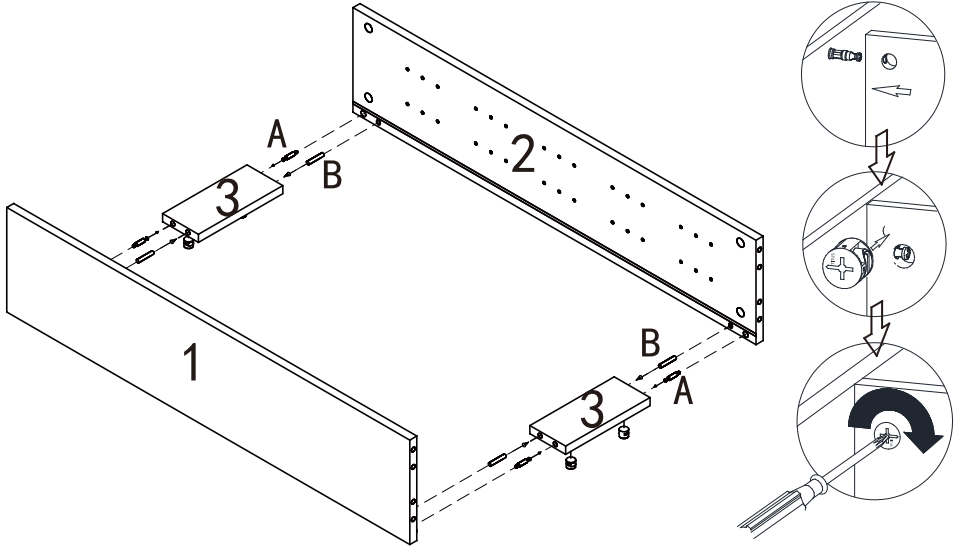


PACKING DETAILS:TOTAL 1 BOXES

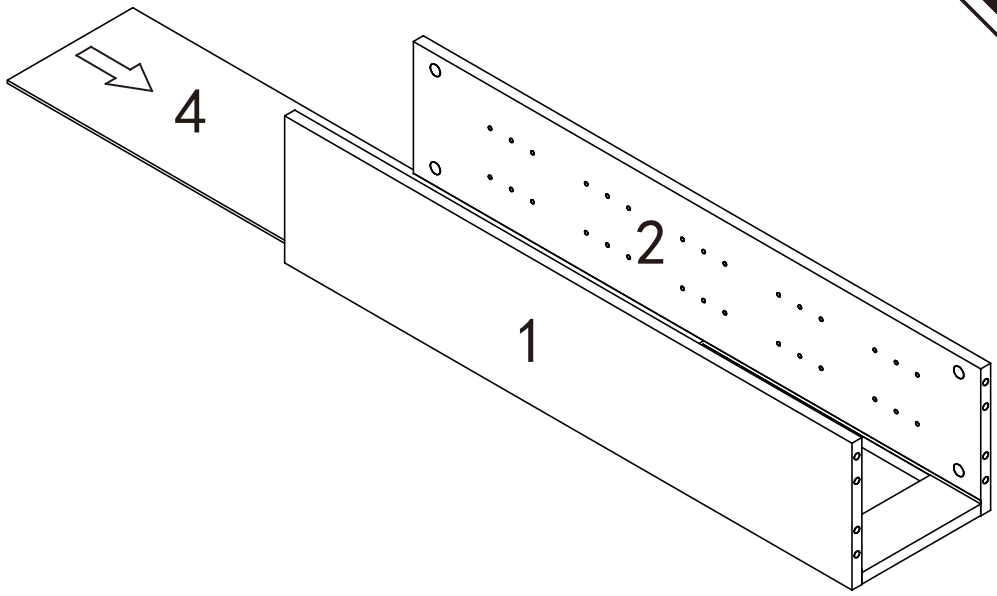
PARTNO.	PARTS	QTY
1		x2
2		x2
3		x4
4		x2
5		x2
6		x2
7		x10

PART NO.	PARTS	QTY
A		x24
B		x24
C		x40
D		x2
E		x2
F		x28

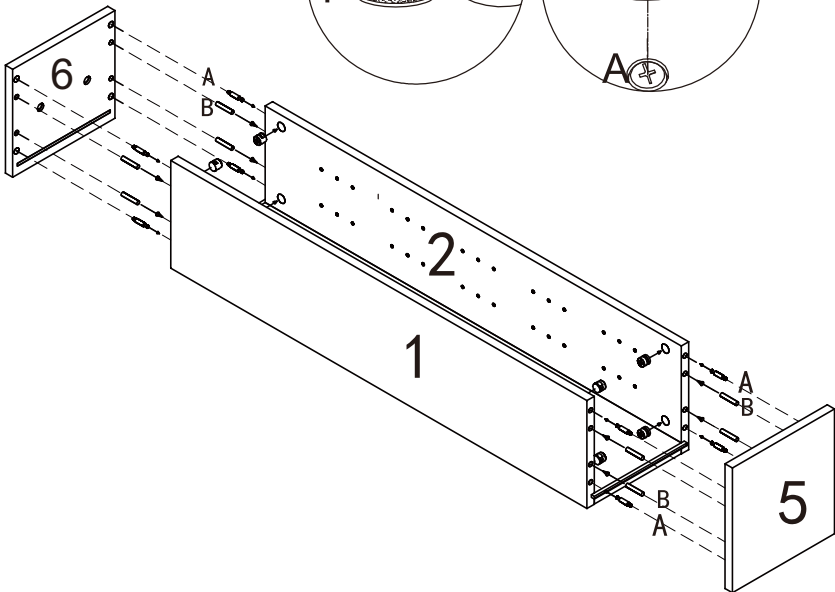
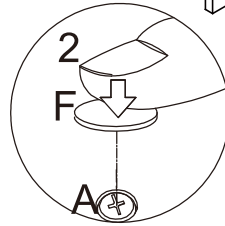
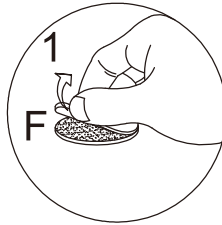
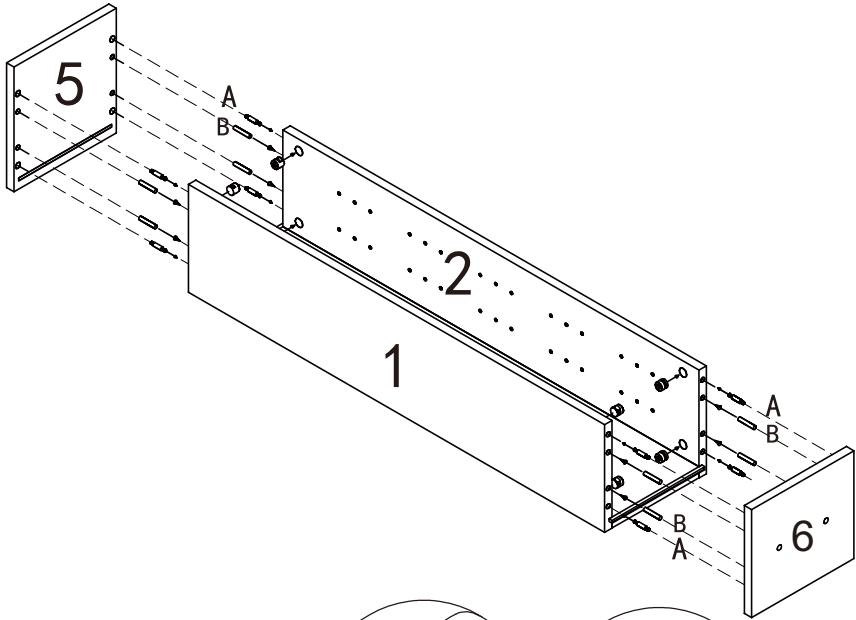
Ax4
Bx4



x2

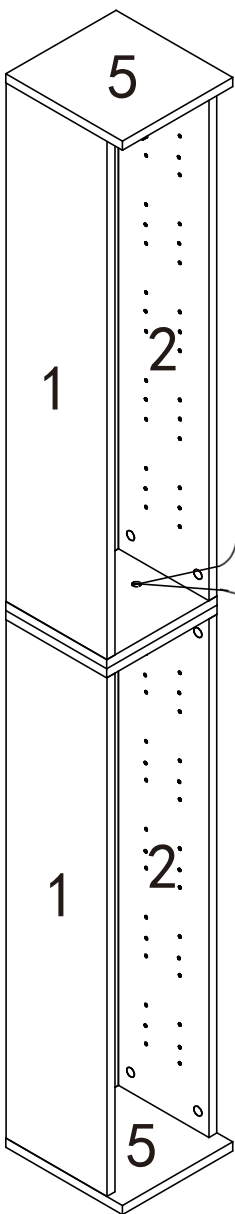


Ax16
Bx16



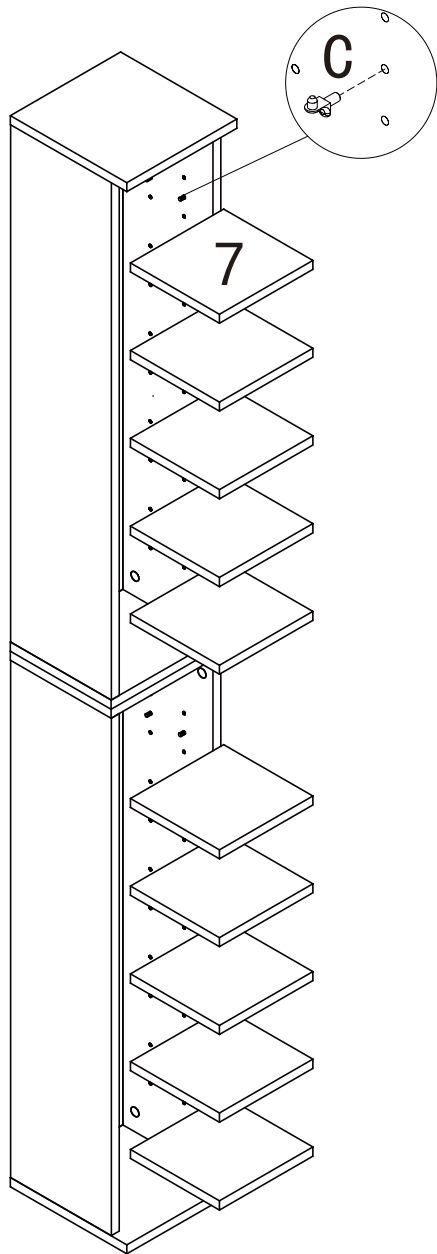
Dx2
Fx28

04



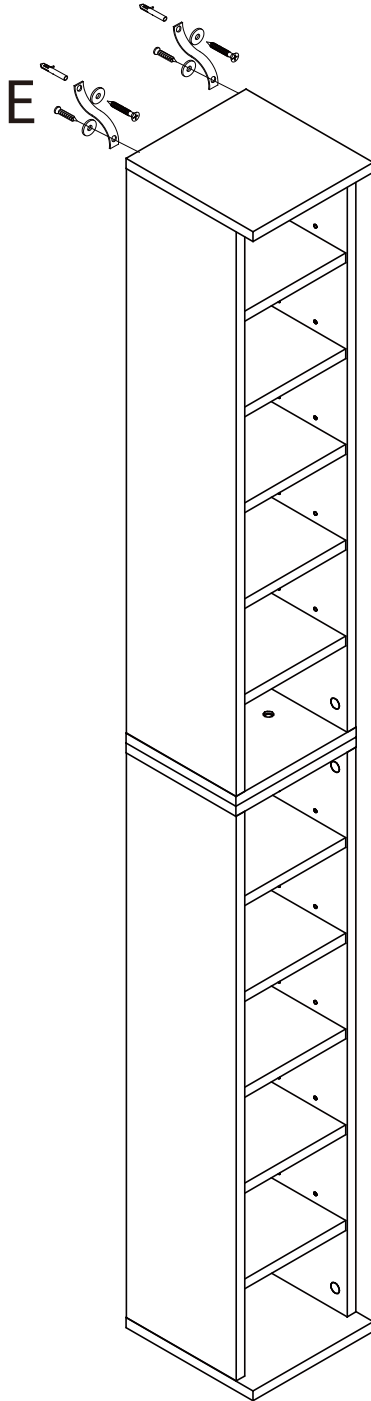
Cx40

05



Ex2

06



Done