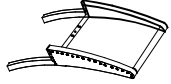









ASSEMBLY INSTRUCTIONS

Dimensions : 21"W x 24 1/2"D x 40 1/2"H

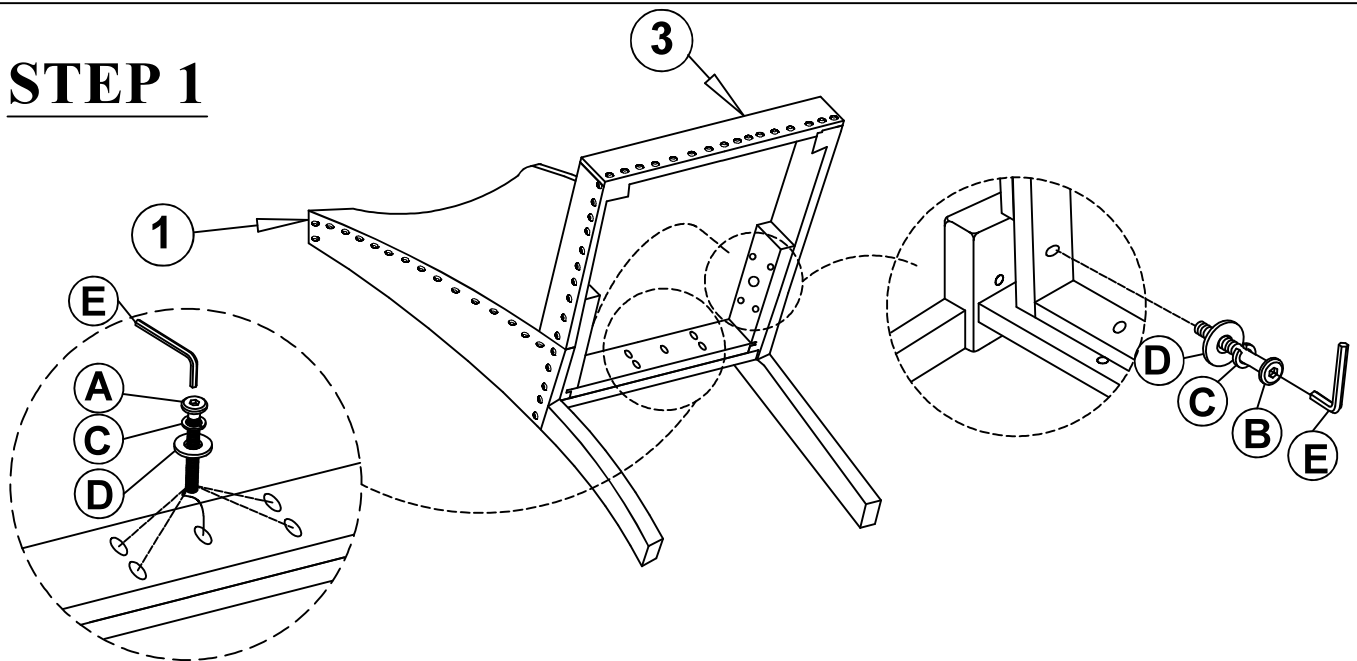
Item No : F1919

Description : Dining Chair

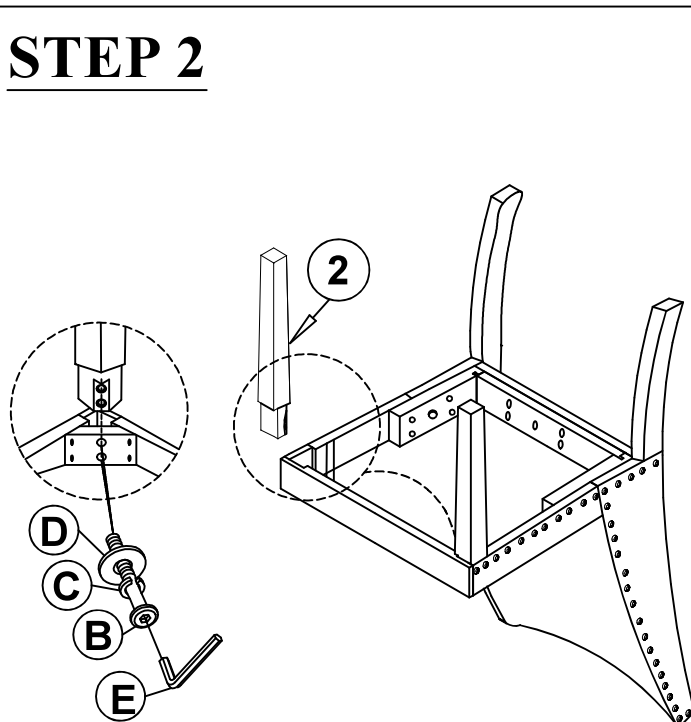
No	LIST OF PARTS	Q'TY
1	Chair Back 	1pc
2	Front Leg 	2pcs
3	Seat Cushion 	1pc

LIST OF HARDWARE				
A	BOLT		Ø5/16" x 38 mm	5pcs
B	BOLT		Ø5/16" x 51 mm	6pcs
C	LOCK WASHER		Ø5/16" x 11D x 1	11pcs
D	WASHER		Ø5/16" x 22Dx 2	11pcs
E	ALLEN KEY		4 mm	1pc

STEP 1



STEP 2



STEP 3

