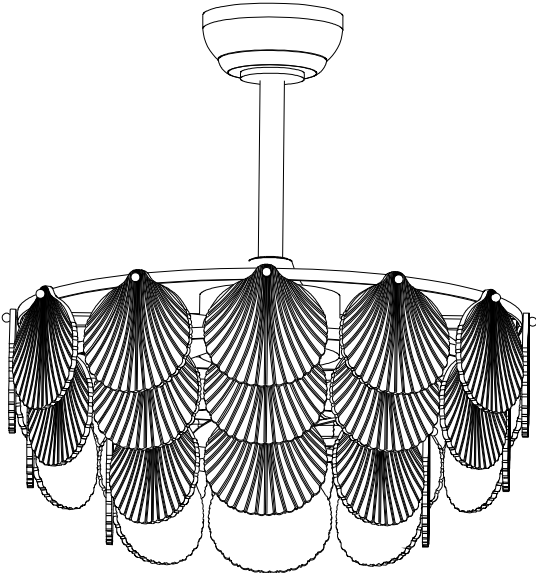


INSTALLATION MANUAL

CEILING FAN WITH LIGHTS



Safety Rules

1. Be sure the power to the wires you are working on is disconnected, either the fuse is removed or the circuit breaker is turned off. Turning the power off using the light switch is not sufficient to prevent electrical shock.
2. A qualified licensed electrician is required for the installation.
3. The outlet box and support structure must be securely mounted and capable of reliably /supporting a minimum of 70 pounds. Use only UL (cUL for Canadian Installation) listed mounting boxes marked "FOR FAN SUPPORT".
4. The fan must be mounted with a minimum of 7 feet clearance from the trailing edge of the blades to the floor.
5. Do not operate reversing switch while fan blades are in motion (if applicable). The fan must be turned off and the blades stopped before reversing the blade direction.
6. Do not place any objects in the path of the blades.
7. To avoid personal injury or damage to the fan and other items, be cautious when working around or cleaning the fan.
8. Do not use water or detergents when cleaning the fan or fan blades. A dry dust cloth or lightly dampened soft cloth will be suitable for the cleaning.
9. After marking electrical connections, spliced conductors should be turned upward and pushed carefully up into the outlet box. The wires should be spread apart with the grounded conductor on one side of the outlet box.
10. Electrical diagrams are reference only, different fan lights may have different light shades and bulbs.
11. Use only our replacement parts. This equipment has been tested and found to comply with the limits for a class B digital device, pursuant to part 15 of the FCC Rules. These limits are to provide reasonable protection against harmful interference in a residential installation. This equipment generates, uses, and radiate radio frequency energy and if not installed and used in accordance with the instructions may cause harmful interference to radio communications.

Warning:

To reduce the risk of personal injury, use only the two steel screws and washers provided with the outlet box for mounting to the outlet box. Most outlet boxes commonly used for the support of lighting fixtures are not acceptable for fan support and need to be replaced, consult a qualified electrician if in doubt.

To reduce the risk of fire, electric shock, or personal injury, mount the fan to the outlet box marked "acceptable for fan support".

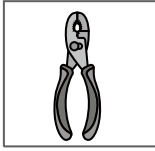
To reduce the risk of personal injury, do not bend the blade brackets (also referred to as flanges) during assembly or after installation. Do not insert objects in the path of the blades.

Installation Preparation

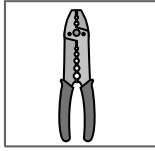
Tools You Need



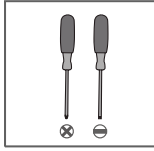
Ladder



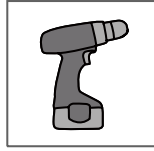
Pliers



Wire Strippers



Screwdrivers



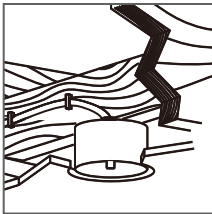
Power Drill (optional)



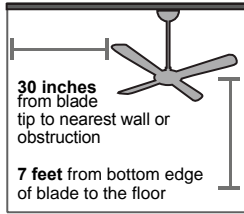
Drill Bit (optional)

If mounting to a support structure, you will also need the optional tools.

What to Expect with Your Installation



Must be able to secure the fan to building structure or fan-rated outlet box

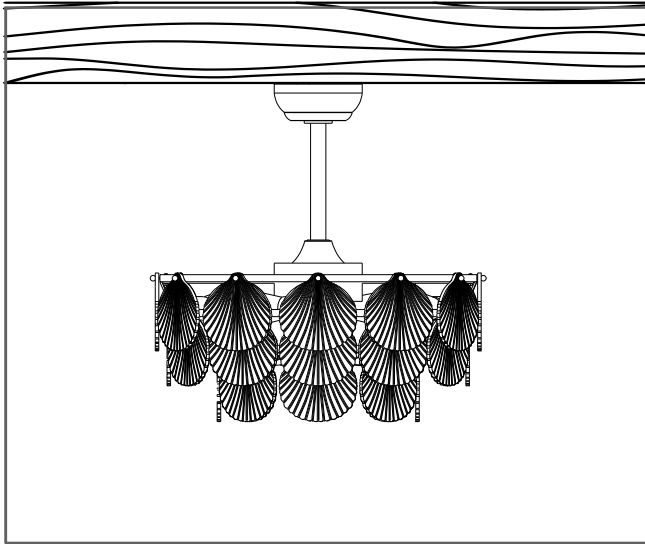


Assess location

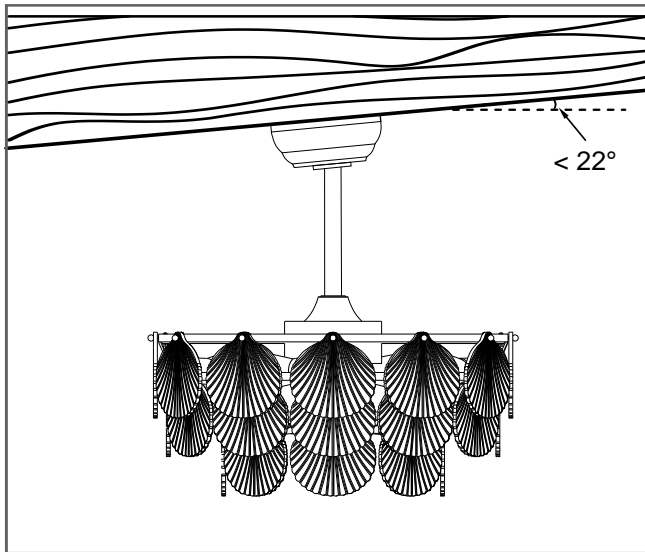


Check the box to see the weight of the fan

Installation Angle



Flat Ceiling


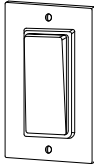

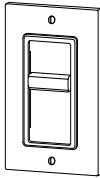
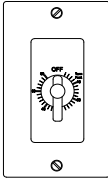
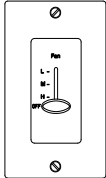
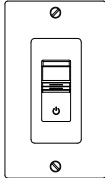
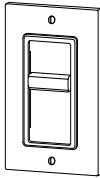
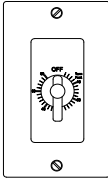
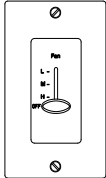
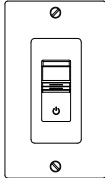
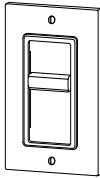
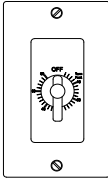
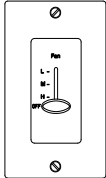
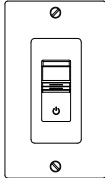


Sloped Ceiling ($< 22^\circ$)

Switch Selection

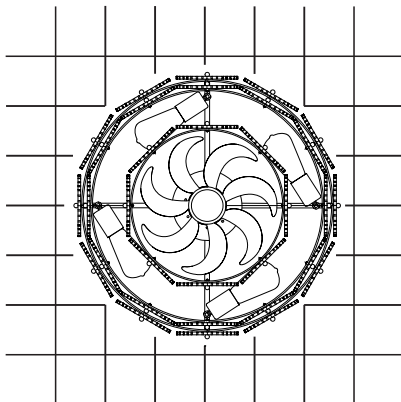
Note: Using a dimmer switch to control the fan may damage the fan. To reduce the risk of fire or electrical shock, do not use a dimmer switch to control the fan.

The recommended switches are as follows:

 <p>Recommended:</p>	 <p>Single Pole Switch (Not Included)</p>				
 <p>Not Recommended:</p>	<table border="0"> <tr> <td data-bbox="380 542 537 861">  <p>Dimmer Switch</p> </td> <td data-bbox="537 542 649 861">  <p>Timer Switch</p> </td> <td data-bbox="649 542 806 861">  <p>Fan Speed Control Switch</p> </td> <td data-bbox="806 542 984 861">  <p>Motion Sensor Switch</p> </td> </tr> </table>	 <p>Dimmer Switch</p>	 <p>Timer Switch</p>	 <p>Fan Speed Control Switch</p>	 <p>Motion Sensor Switch</p>
 <p>Dimmer Switch</p>	 <p>Timer Switch</p>	 <p>Fan Speed Control Switch</p>	 <p>Motion Sensor Switch</p>		

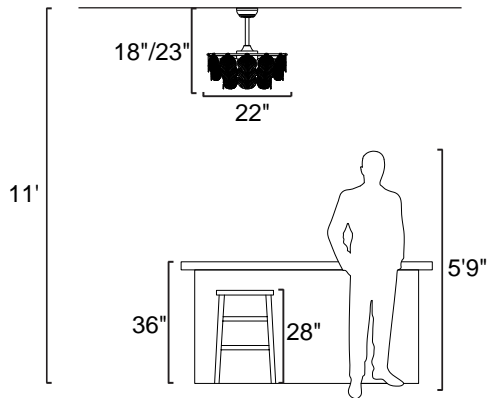
Installation Recommended

Room Size:



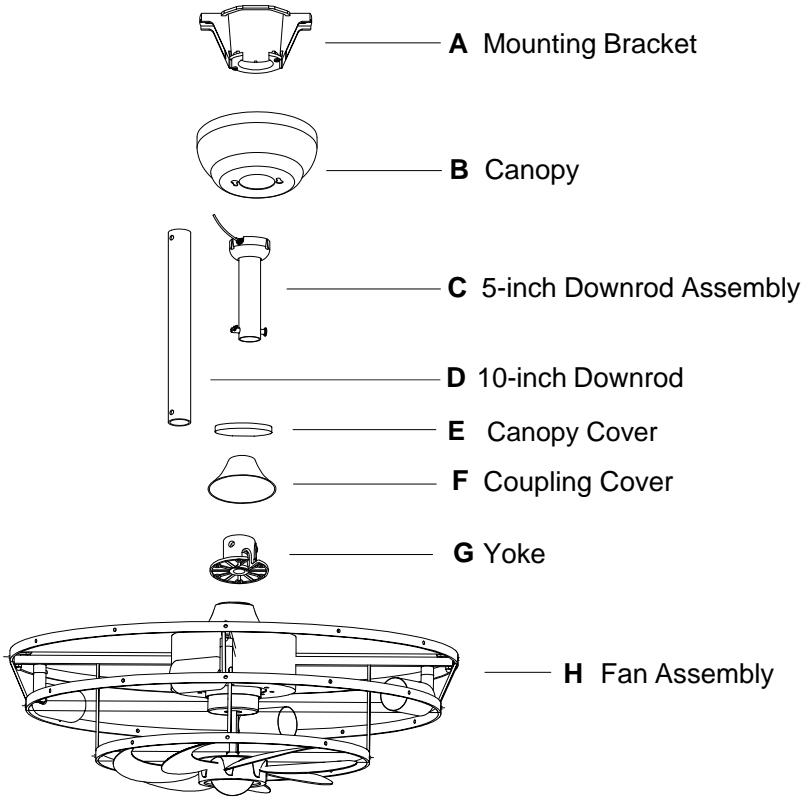
UP TO 10 ft x 12 ft







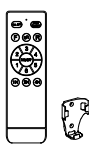


Room Height:



Recommended ceiling height: 8 to 12 ft.

Packing List



AA	x3	BB	x2	CC	x32	DD	x32	EE	x32	FF	x1
											
Wire Nut		Outlet Box Screw		Double End Bolt		Dome Nut		Glass		Gloves	
GG	x2	HH	x2								
Wood Screw		Washer		Remote Control and Holder x1		Remote Holder Anchor x2		Remote Holder Screw x2			

Note: The listed quantity is for installation, extra hardware may be included.

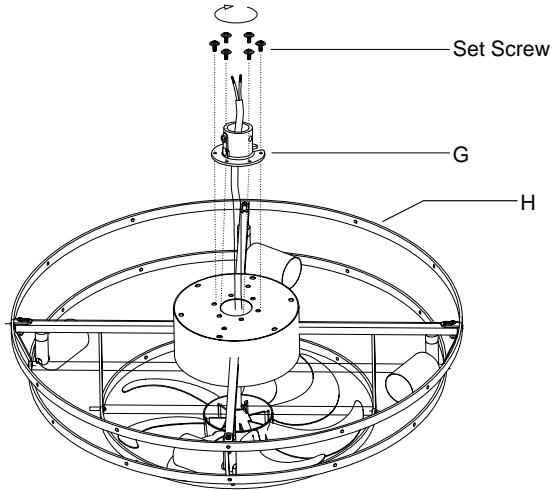
Installation Instructions

1. Assemble the Fan

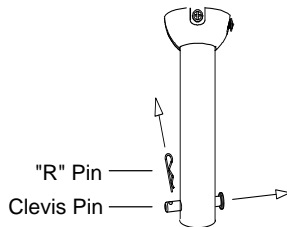
Step 1. Take off set screws on the fan assembly (H).

Step 2. Thread the main wire through the yoke (G).

Step 3. Secure the yoke to the fan assembly with set screws just taken off.



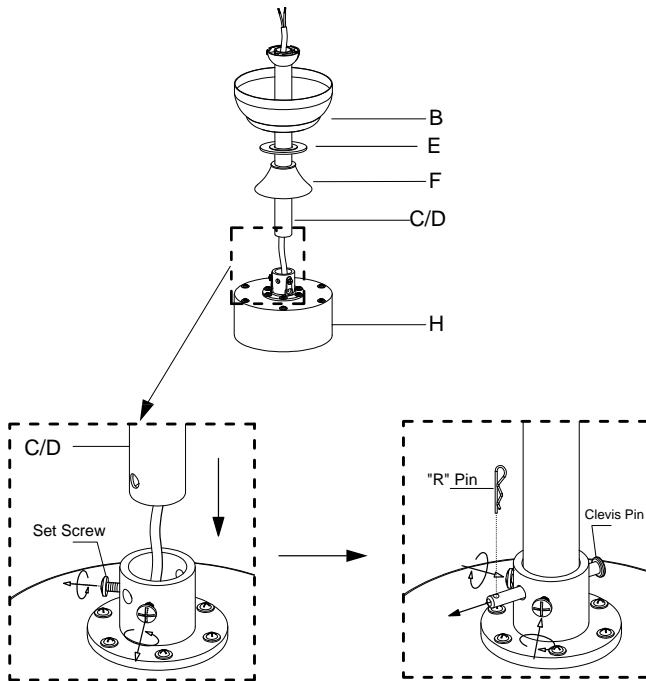
Step 4. Remove the "R" pin and clevis pin from 5-inch downrod assembly (C).



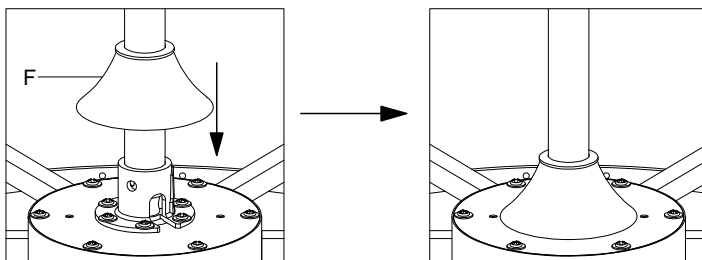
Step 5. Pass the downrod (C/D) through the canopy (B), canopy cover (E) and coupling cover (F), then thread the fan wires through it.

Step 6. Carefully insert the clevis pin and "R" pin (Be careful not to jam the clevis pin against the wires inside the downrod).

Step 7. Tighten the screws on the yoke to secure the downrod.

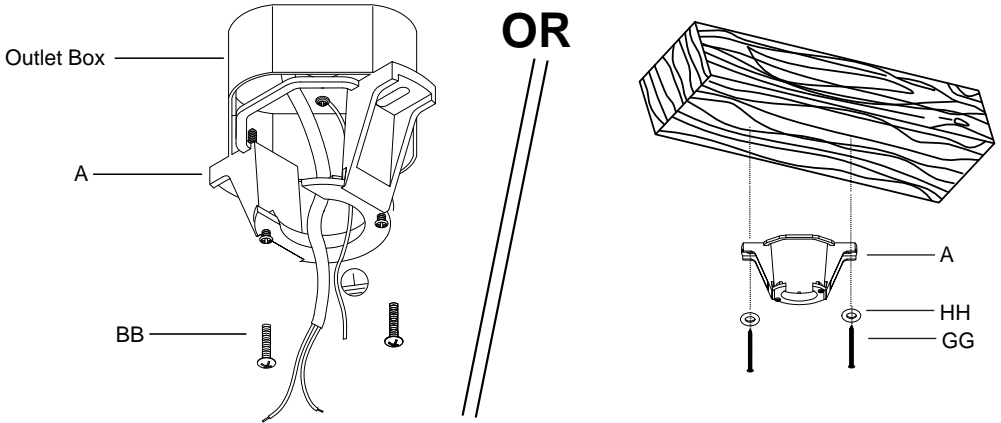


Step 8. Fit the coupling cover (F) onto the fan assembly.

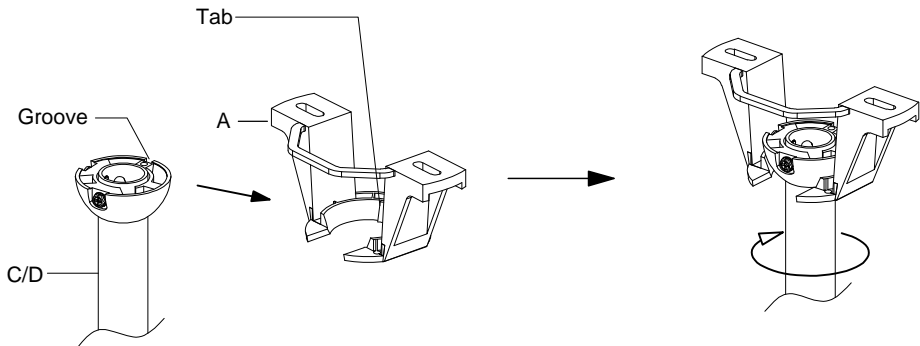


2. Hang the Fan

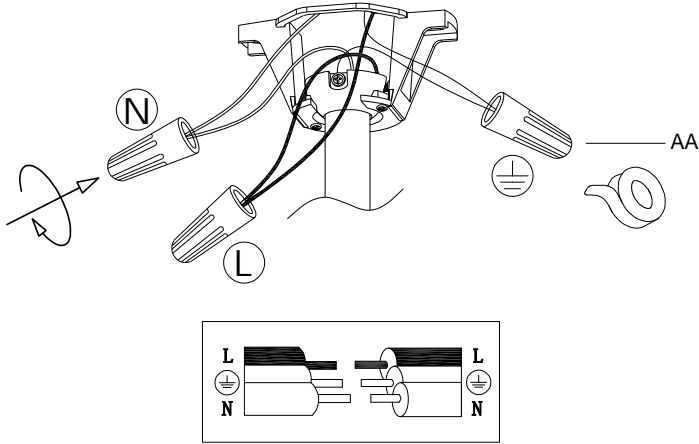
Step 1. Secure the mounting bracket (A) to the outlet box with screws taken off from outlet box or screws provided (BB). Or mount the mounting bracket to the solid wood structure with wood screws (GG) and washer (HH).



Step 2. Lift the downrod (C/D) into the mounting bracket (A). Rotate the downrod until the tab in the mounting bracket is seated in the groove in the downrod ball.



Step 3. Connect the wires from the receiver to the house supply wires with wire nuts (AA), ground wire (green, green/yellow, or bare copper) to ground wire, neutral wire (white) to neutral wire, and hot wire (black) to hot wire. Wrap the connection with electrical tape.

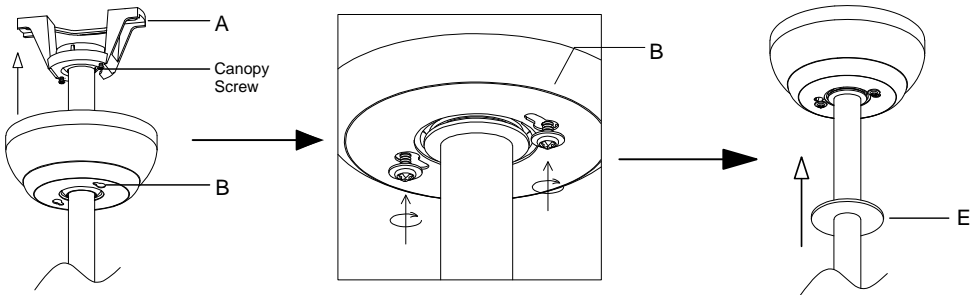


3. Attach the Canopy

Step 1. Loosen the canopy screws on the bracket (A) but do not take off.

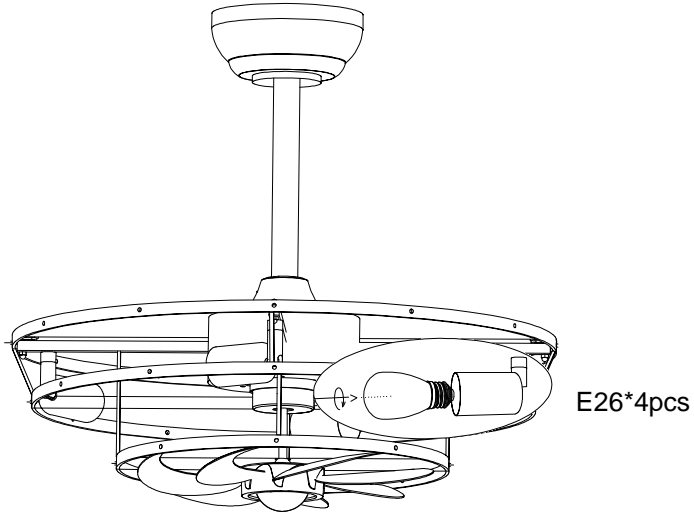
Step 2. Raise the canopy to the ceiling, twist it to lock onto the screws, and then tighten the screws to secure the canopy.

Step 3. Push up the canopy cover (E).

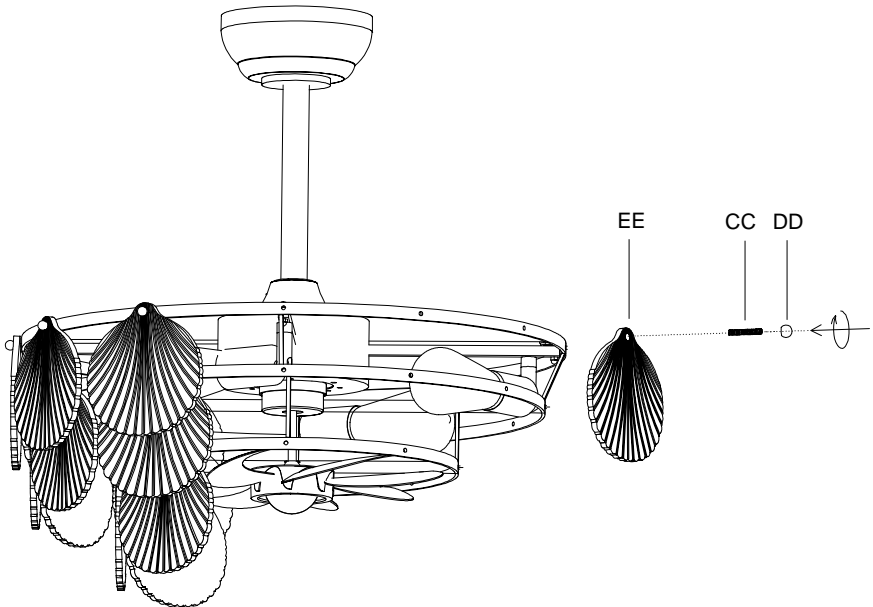


4. Install Bulbs and Glass

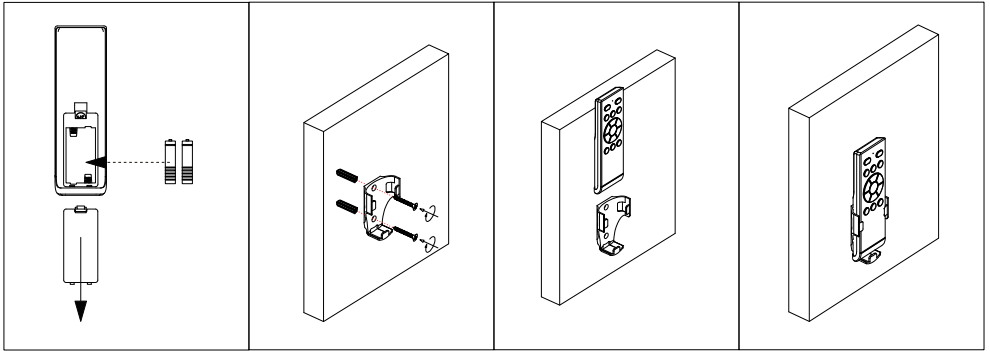
Step 1. Install light bulbs (E26 x 4, max 60 W each, not included).



Step 2. Screw the double end bolt (CC) into the dome nut (DD), and then attach the glass (EE) to the fan assembly (H).



5. Install the Remote Holder



Step 1: Insert 2 batteries before using: AAA 1.5V battery x 2pcs (not included).

Step 2: Mark and drill screw holes in the wall, then insert the remote holder anchors.

Step 3: Use remote holder screws to fix the remote holder onto the wall.

Remote Control Instructions

		Turn off the fan and lights.
		Turn on/off the lights.
		Natural wind, fan speed will change automatically.
		"F" refers the fan rotates forward.
		"R" refers the fan rotates in reverse.
		1/2/3/4/5/6 for fan speeds.
		Turn off the fan.
		1H/2H/4H for timing the fan.
		REMOTE SIGNAL PAIRING: If the remote control loses signal with the fan, turn off the power from wall switch, then turn it on, immediately press and hold this button for around 3 seconds, after the fixture beeps or flashes, it's done.

NOTE:

Please insert 2 batteries before using. AAA 1.5V battery x 2pcs (not included).

Troubleshooting

1. Fan doesn't work

- Make sure the fixture is connected to an ON/OFF wall switch, not a dimmer switch.
- Check the remote control battery (not included in this package).
- Check the circuit breaker to ensure the power is on.
- Turn off power from the circuit breaker, then loosen the canopy and check all the connections according to the wiring diagram.

2. Lights Do Not Light Up / Flicker / Noisy Operation

- Make sure the fixture is connected to an ON/OFF wall switch, not a dimmer switch.
- Check your power and switch to make sure it's powered on.

3. Noisy Operation

- Tighten the light fitting and blade bottom cover.
- Re-tighten all screws on the bracket, downrod, and fan blades (do not over tighten).
- Check to see if any of the blades are cracked. If so, replace all of the blades.

4. Remote does not work

- Make sure the battery is installed correctly.
- Pair the remote control again (See Remote Control Instructions).
- Install 2 new batteries.

Clean And Care

To clean, wipe the fixture with a soft cloth. Spraying from chemical cleaners can discolor the finish of the fixture. Do not use scouring pads, powders, steel wool, or abrasive paper to clean this fixture.

Ordering Parts

Keep this manual for future reference, and in case replacement parts are needed. Available parts can be ordered from the place of purchase. Use exact wording from diagrams when ordering parts.