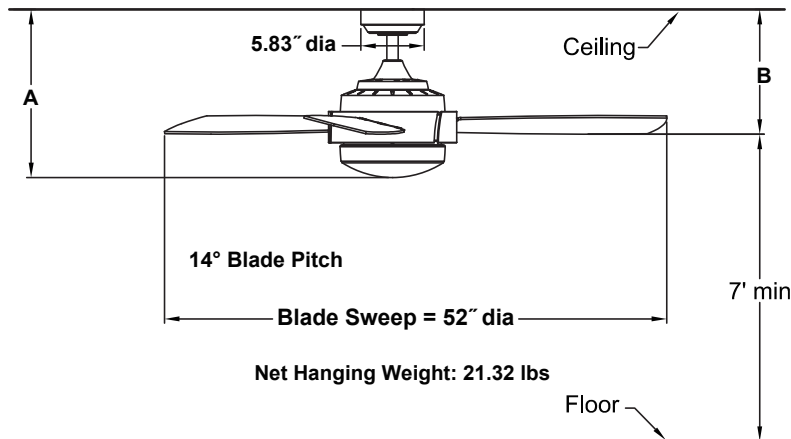




52" Ceiling Fan



	A	B
Fan w/4.5" downrod	15.12"	11.55"
Fan w/12" downrod	22.62"	19.05"
Fan w/18" downrod	28.62"	25.05"
Fan w/24" downrod	34.62"	31.05"
Fan w/36" downrod	46.62"	43.05"
Fan w/48" downrod	58.62"	55.05"
Fan w/60" downrod	70.62"	67.05"
Fan w/72" downrod	82.62"	79.05"

INSTALLATION REQUIREMENTS:

Fan must be attached to a securely anchored electrical junction box capable of withstanding a load of at least 35 lbs.

ELECTRICAL REQUIREMENTS:

Requires a grounded electrical supply line of 120 volts AC, 60 Hz, 15 amp circuit.

MOTOR SPECS:

172 x 17 AC motor is designed for optimal performance with this fan.

BLADES:

A set of three 21" reversible plywood blades is included.

CONTROL OPTIONS:

hand-held remote control is included. Push button remote control with variable fan speeds, infinite light levels and off button. Optional and wall controls, and hand-held remote controls and receivers are available—sold separately. Instructions are provided with each control.

LIGHTING OPTIONS:

One 18-watt LED included.

DOWNROD OPTIONS:

Fan comes with a 1" Dia. x 4.5" downrod. Optional downrods are available in 12", 18", 24", 36", 48", 60" and 72". For installations requiring a longer downrod, a downrod coupler is available. Fan must use 12" or longer downrod, and can be mounted on a sloped ceiling up to 19°. Optional sloped ceiling kits are available for up to 42°. Call technical support for more information.

LOCATION USE:

Fan is rated for dry location only.

Available Finishes

LAZ	Aged Bronze with Cherry/Dark Walnut Blade and Opal Frosted Glass
LBL	Black with Black Blade and Opal Frosted Glass
LBN	Brushed Nickel with Gray Blade and Opal Frosted Glass

Airflow / Energy Efficiency Info (120V)

Fan Speed	Max RPM	CFM	CFM / Watts	Amps	Watts
High	171	5152	82	0.52	62
Med	125	3645	105	0.39	35
Low	68	1864	150	0.23	12

Energy Guide FTC

Power (Watt)	Total Air Delivery (CFMave)	Estimated Yearly Energy Cost (\$)	Ceiling Fan Efficiency (CFM/W)
40	3596	11	90

Light Bulb Information (120V)

Bulb Type	Watts	QTY	Lumens Amount	Color Temp	CRI
LED	18	1	1400	3000	90%