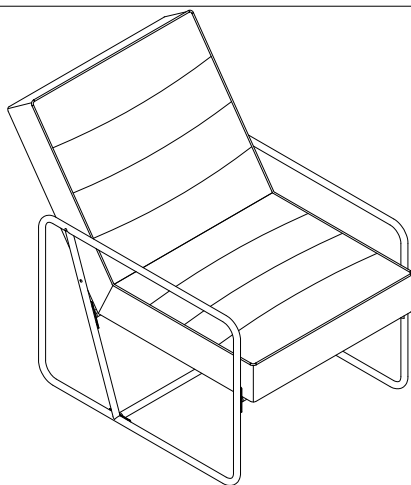





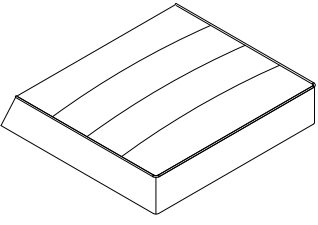
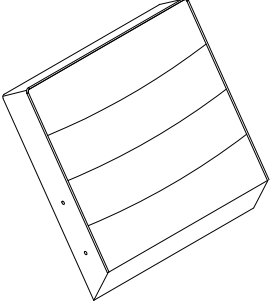
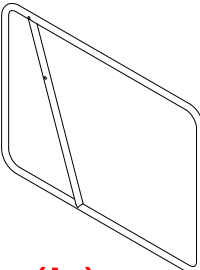
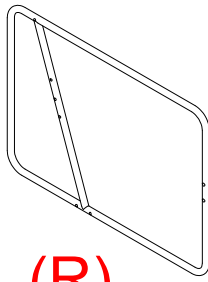
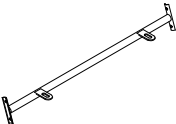
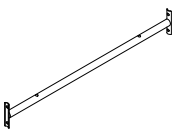
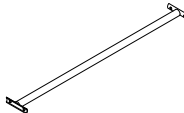


# ① ASSEMBLY INSTRUCTION

## MODEL NO.HC5725

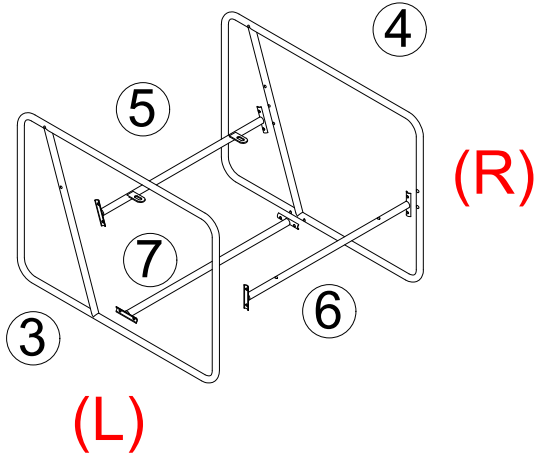


Components/QTY	Components/QTY	Components/QTY	
A 4PCS  1/4*16MM	B 12PCS  1/4*5/8"	C 8PCS  1/4*1-3/4"	
D 1PC  1/4*56MM	E 4PCS 		
① 1PC 	② 1PC 	③ 1PC  (L)	
④ 1PC  (R)	⑤ 1PC 	⑥ 1PC 	⑦ 1PC 

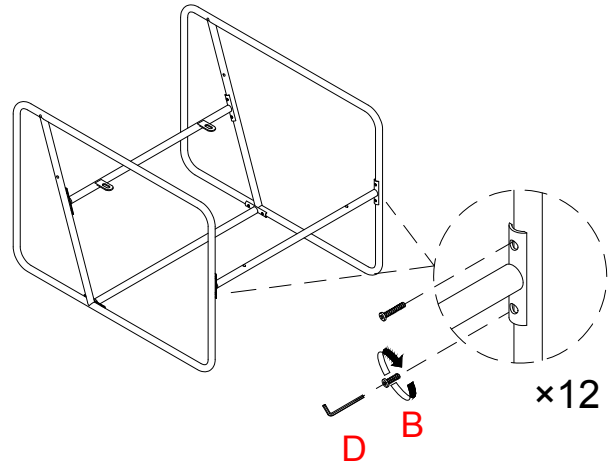
# ② ASSEMBLY INSTRUCTION

## MODEL NO.HC5725

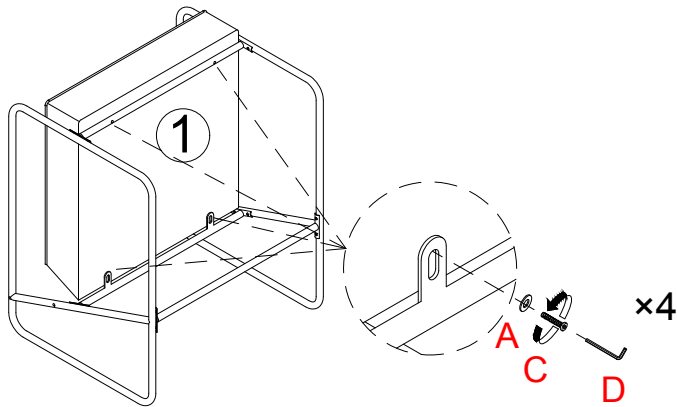
### STEP 1



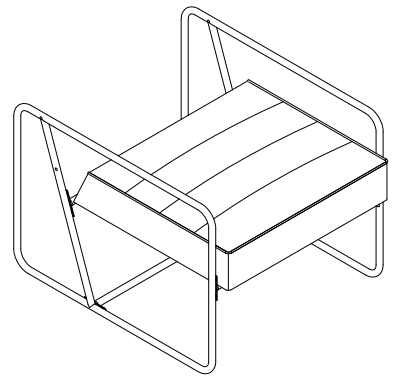
### STEP 2



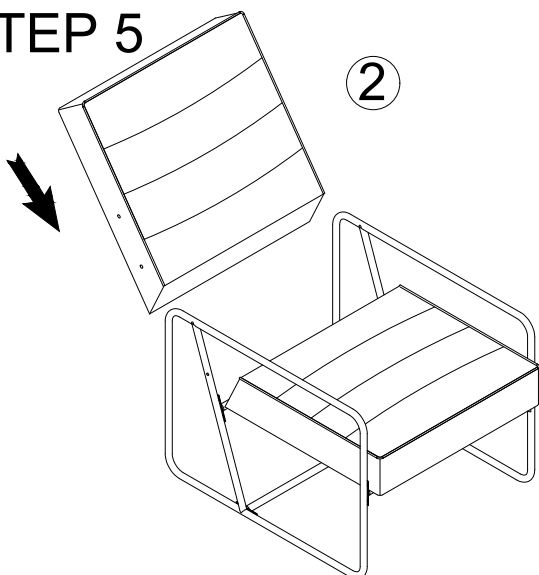
### STEP 3



### STEP 4



### STEP 5



### STEP 6

