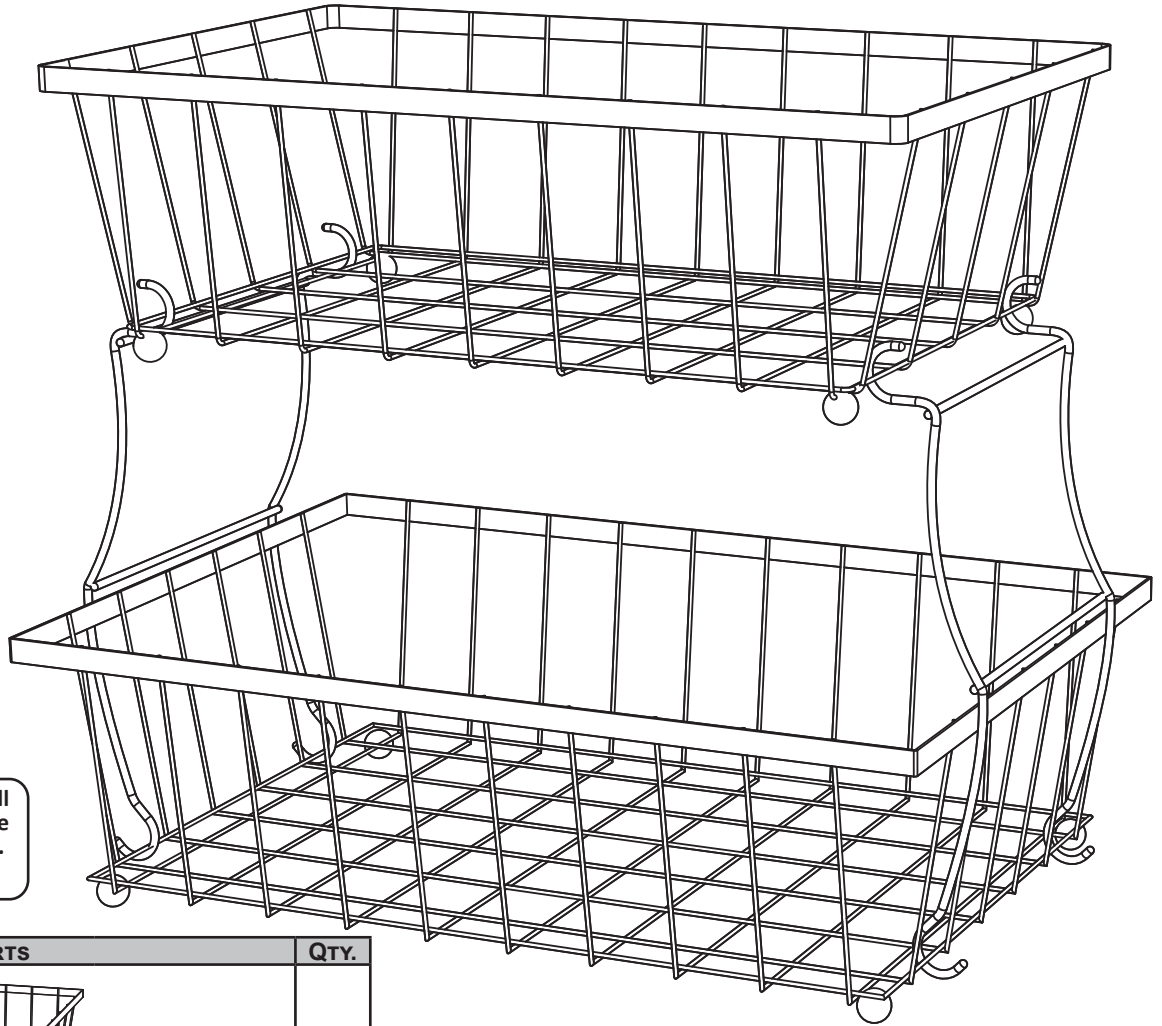


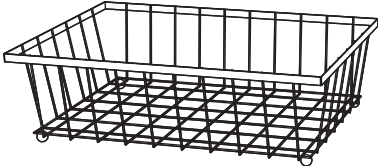
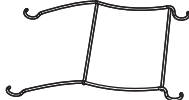
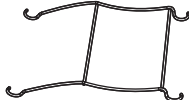

Thank you for choosing . We stand behind our brand and the quality of the items we sell. Replacement parts or products can be requested within the 1-year warranty period. Proof of purchase must be provided. This includes the date of the purchase as well as photos of the product defect. Photos are used to determine the cause of the defect and to provide future quality control. The request will be reviewed, and replacement pieces will be sent at our discretion.

# 2-TIER COLLAPSIBLE STORAGE BASKET

Review all assembly and care information before using this product. Save this manual for future reference.  
**Assemble components on a soft, clean surface to avoid damaging the finish.**



Inspect packaging to ensure all parts are accounted for before disposing of packing materials.  
 Save the packing slip.

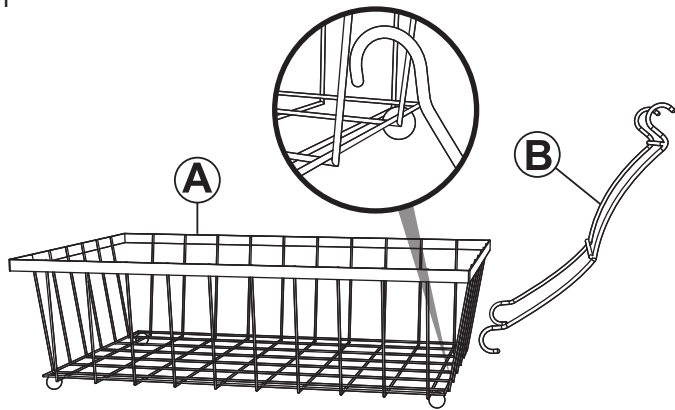
No.	PARTS	QTY.
A	 Larger Basket	1
B	 Right Hook	1
C	 Left Hook	1
D	 Smaller Basket	1

# ASSEMBLY

## STEP 1

A: 1

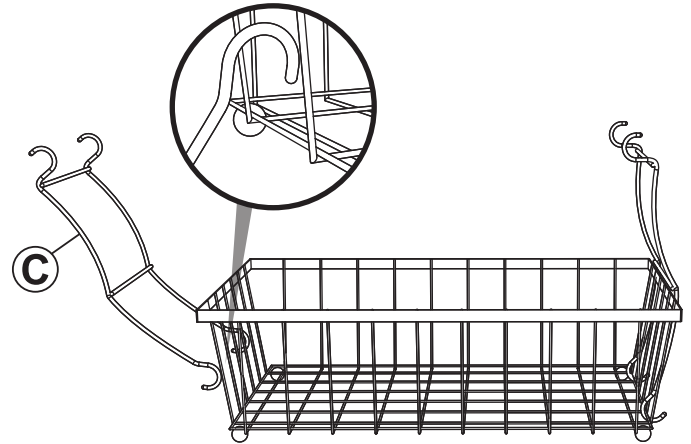
B: 1



Affix Right Hook (B) to Larger Basket (A), as shown.

## STEP 2

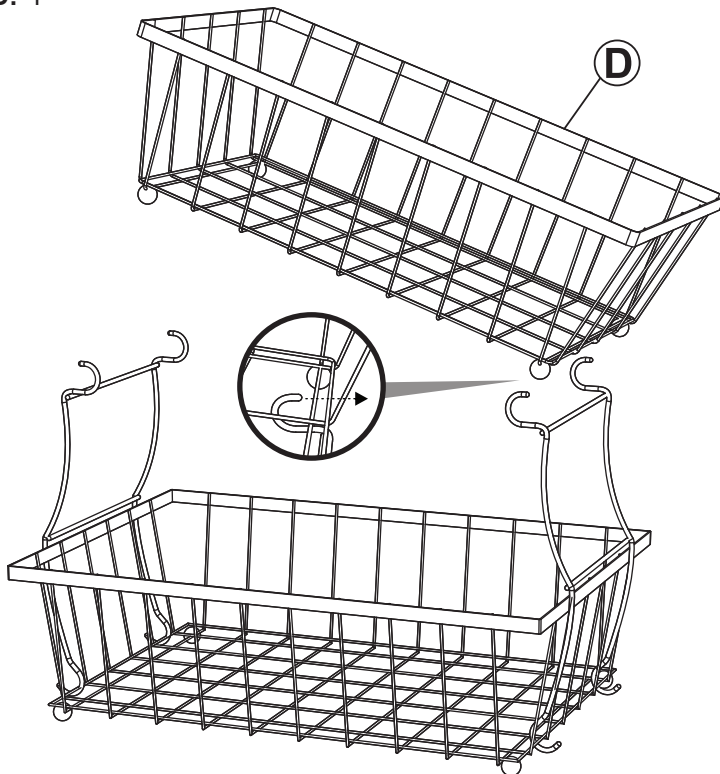
C: 1



Affix Left Hook (C) to the opposite side of the larger basket, as shown.

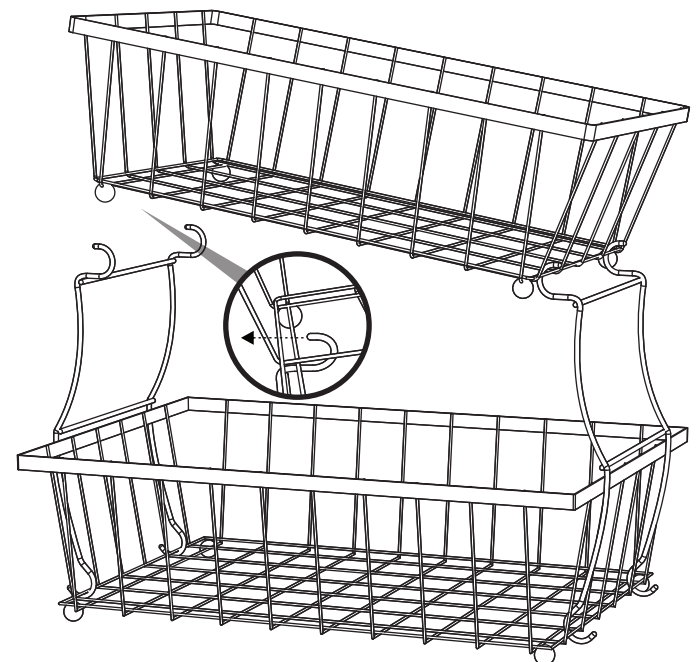
## STEP 3

D: 1



Affix Smaller Basket (D) to the right hook, as shown.

## STEP 4



Affix the opposite side of the smaller basket to the left hook, as shown.

# Care & Maintenance

**SAFE USE:** For indoor use only. For residential use only. Only use on a flat, level surface.

**MOVING:** Do not move the unit while it has contents inside of the baskets. Empty the baskets, and carry it by the bottom basket.

**SCRATCHES:** The finish on this product is tough and durable but, even under normal use, some scratching is inevitable. Scratches can be repaired with rust-resistant paint (not included).

**WARNING:** THE ONE-YEAR WARRANTY DOES NOT COVER DAMAGES OR DEFECTS CAUSED BY THE APPLICATION OF CHEMICAL TREATMENTS, PROTECTIVE COATINGS, TOUCH-UP PAINT, OR CLEANING PRODUCTS.

## Cleaning



HAND-WIPE ONLY



DO NOT USE BLEACH



NOT DISHWASHER SAFE

Do not submerge in water; use a soft, damp cloth to clean this unit. Use a soft, dry cloth or towel to remove excess moisture. Ensure the unit is completely dry before collapsing and storing it.

### SAFETY STATEMENTS & WARNINGS

- For indoor use only.
- For residential use only. Not for commercial or industrial use.
- Only use this unit on a flat, level surface.
- Do not exceed the weight capacity of the unit.
- Never allow children to use this product unsupervised.
- Never use chemical cleaning products or polishes as doing so may damage the finish.

**Any modification to the product or failure to follow recommended care will void the product warranty.**

*If you experience issues with assembly or the product was damaged during transit, please contact our customer service team directly through one of the methods mentioned at the top of page 1.*

*Please have the item number and order information ready to expedite response time.*

### WARNING:

Manufacturer and seller expressly disclaim any and all liability from personal injury, property damage or loss, whether direct or indirect, or incidental, resulting from the incorrect attachment, improper use, inadequate maintenance, or neglect of this product.