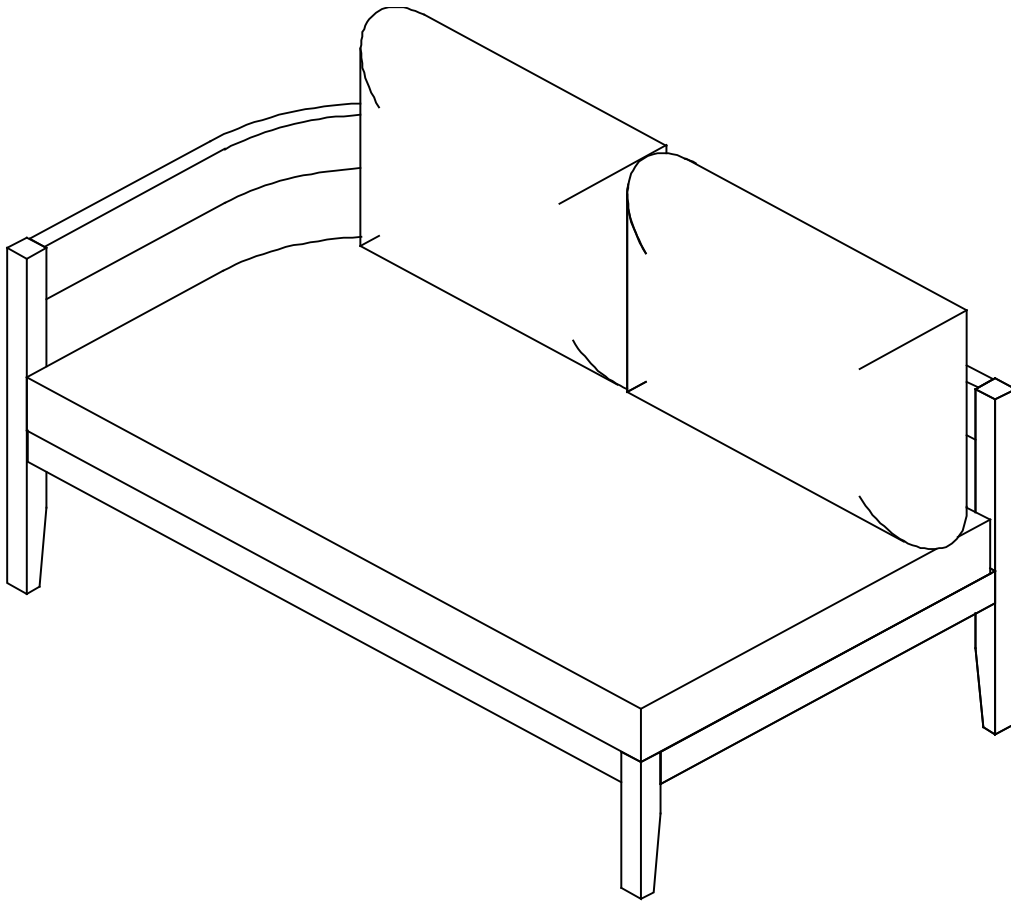


Assembly Instructions

CAUTION: You must read this Assembly Instructions before you proceed.

Please look in the **Seat Panel** for hardware packs.

Loveseat - Left Side

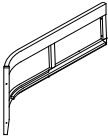
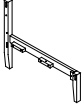
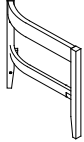

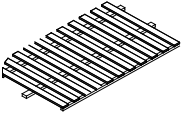
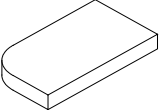
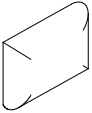


CAUTION: This Loveseat is NOT a TOY.



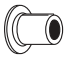


Keep your child / children at bay during the assembly process.

Whenever lifting or moving the Loveseat and to prevent any damage to it, two adults may be needed to execute these actions.

Part List

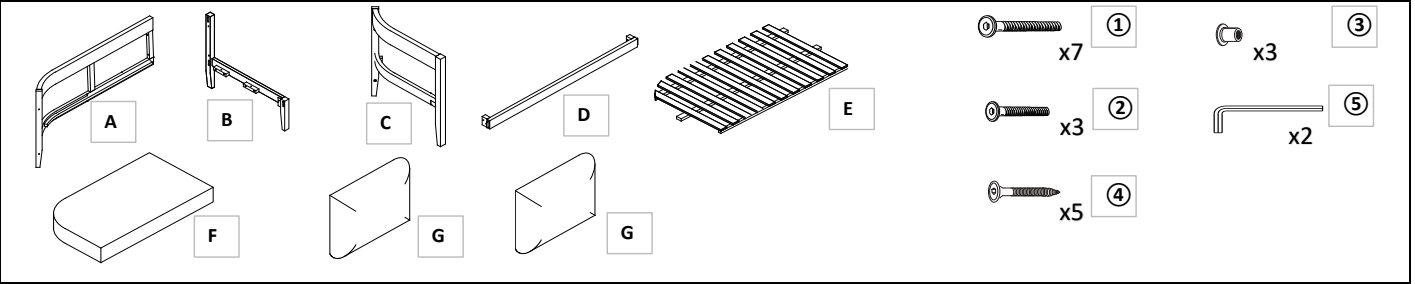
Label	Picture	Description	QTY
A		Backrest Panel	1
B		Right Leg Panel	1
C		Left Leg Panel	1
D		Support Bar	1
E		Seat Panel	1
F		Seat Cushion	1
G		Back Cushion	2

Hardware

Label	Picture	Description	QTY
①		Bolt (M6x45mm)	7
②		Bolt (M6x30mm)	3
③		Sleeve Nut (M6x15mm)	3
④		Screws (M6x35mm)	5
⑤		Allen Wrench	2

Assembly Preparation

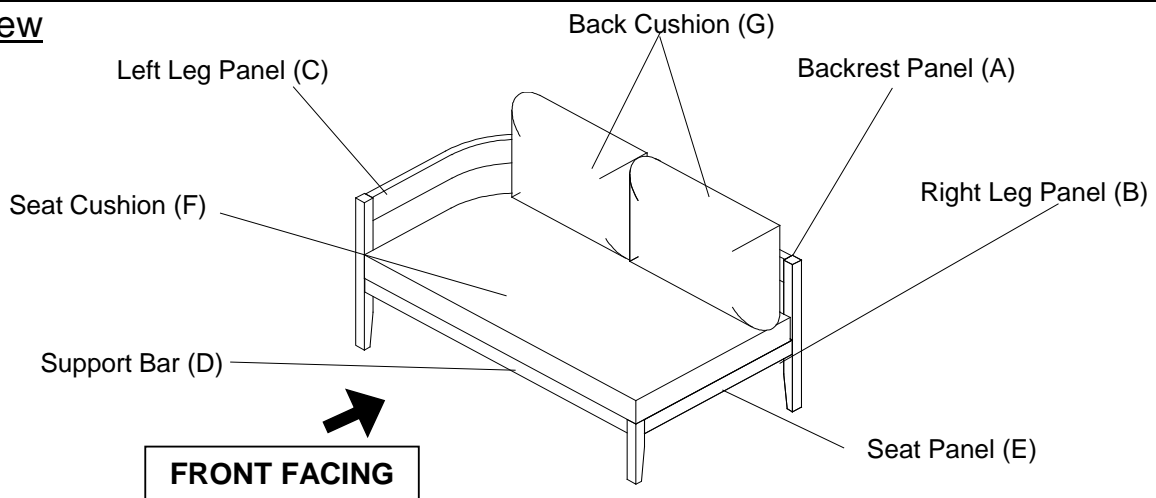
Before Beginning Assembly:



- Read instructions, cover to cover-
- Have 2 adults on hand for assembly-
- Do not assemble on flooring or carpet-
- Assemble on a clean non-marring surface (packing foam)-
- Save all packaging until finished-

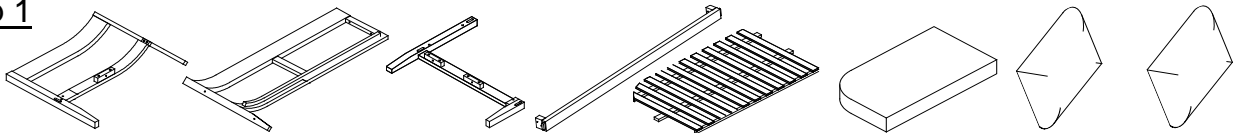
Assembly Steps

Overview



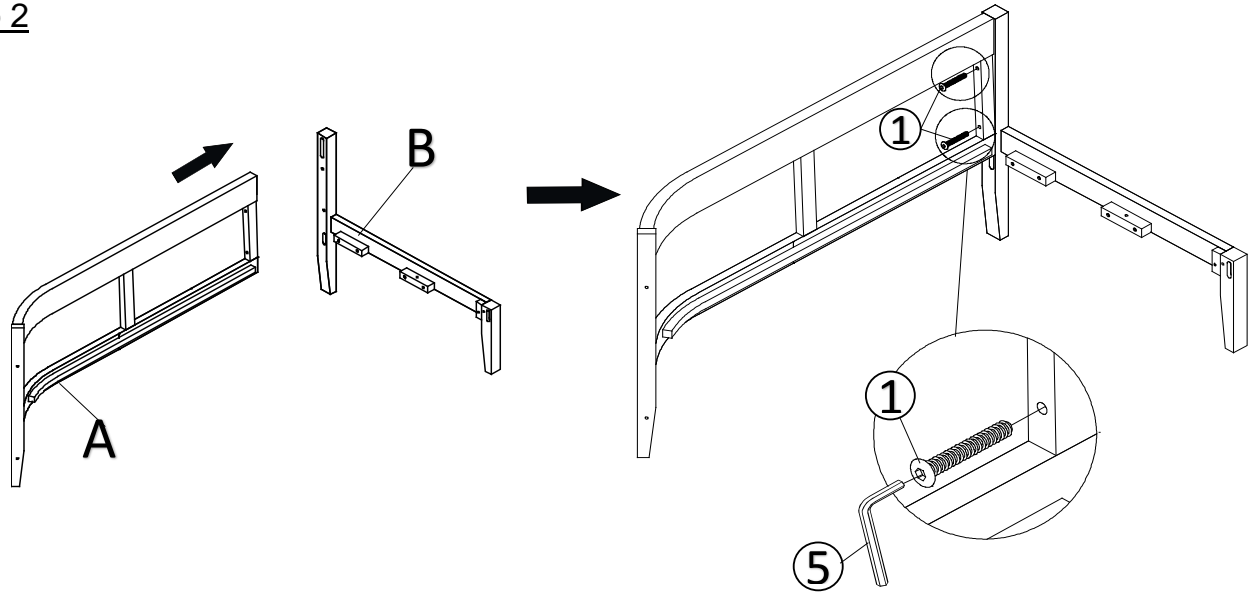
This Loveseat has multiple parts and may require up to 45 minutes to assemble. To give you an overview of the Loveseat parts, the above picture is provided to help you put the various parts into perspective. Please read through the instructions below to familiarise yourself with the parts and steps before assembly.

Step 1



Unpack and place all parts on a clean, non-marring surface.

Step 2

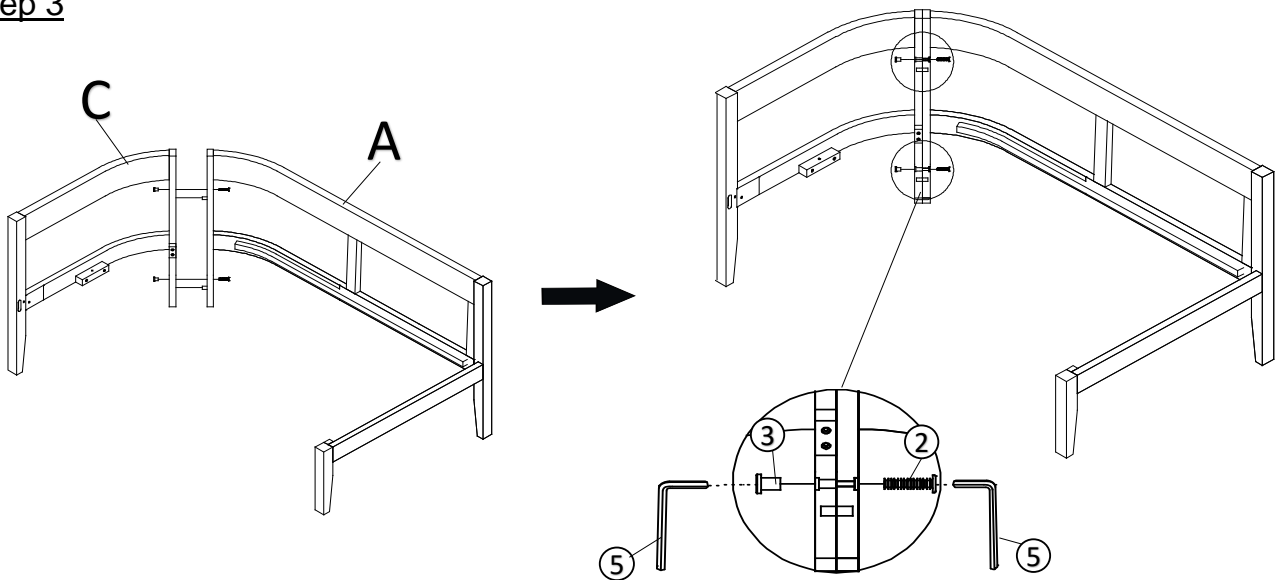


Place the Right leg Panel (B) upright as shown in the picture above onto a clean, soft surface to avoid any scratches or damage to the product.

With assistance from your adult partner(s), attach the Backrest Panel (A) to the Right Leg Panel (B) using Bolts (1) and the Allen Wrench (5) as shown above.

DO NOT fully tighten the Bolts at this time.

Step 3

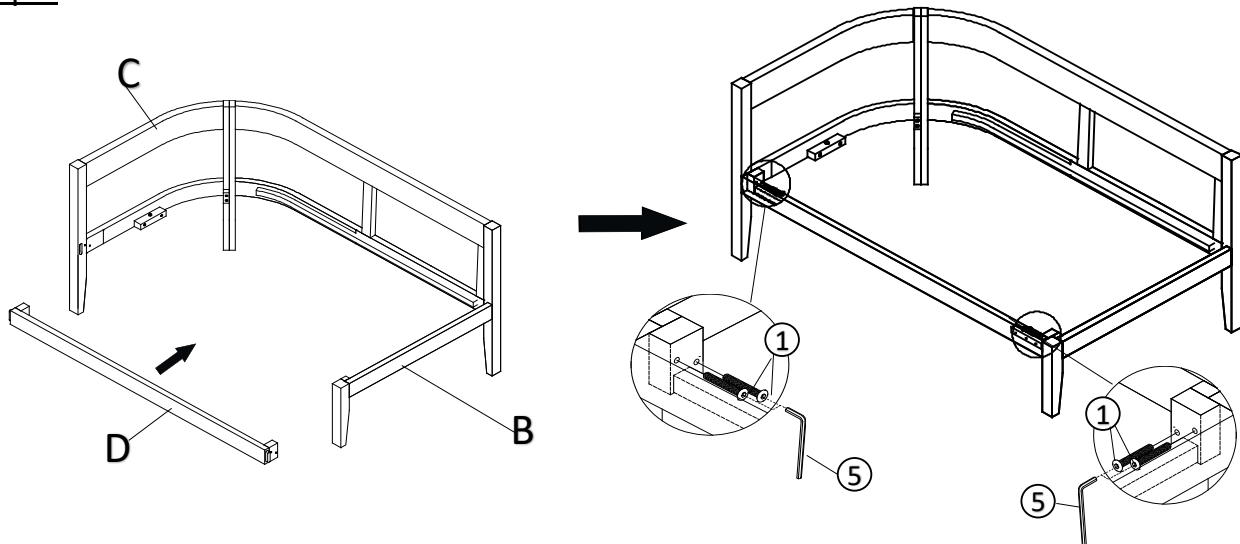


Place the Left Leg Panel (C) upright as shown in the picture above onto a clean, soft surface to avoid any scratches or damage to the product.

With assistance from your adult partner(s), attach the Left Leg Panel (C) to the assembled parts in Step 2 using 2 (two) Allen Wrenches (5) to turn the Bolts (2) into the Sleeve Nuts (3) as shown above.

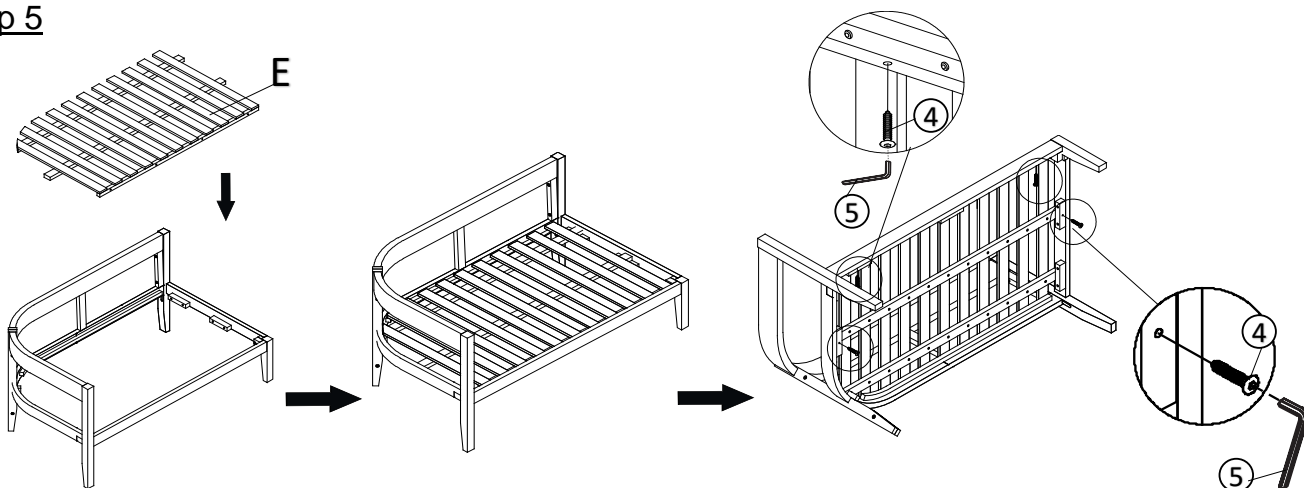
DO NOT fully tighten the Bolts at this time.

Step 4



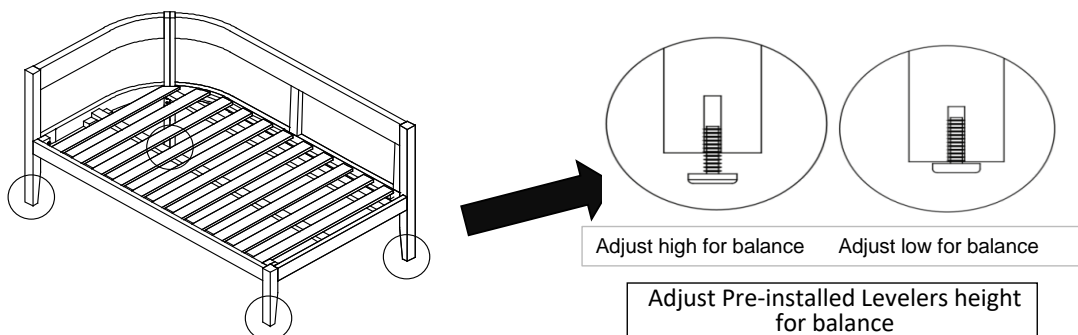
With assistance from your adult partner(s), attach the Support Bar (D) to the assembled frame in Step 3 by using Bolts (①) and the Allen Wrench (⑤) as shown above.
DO NOT fully tighten the Bolts at this time.

Step 5



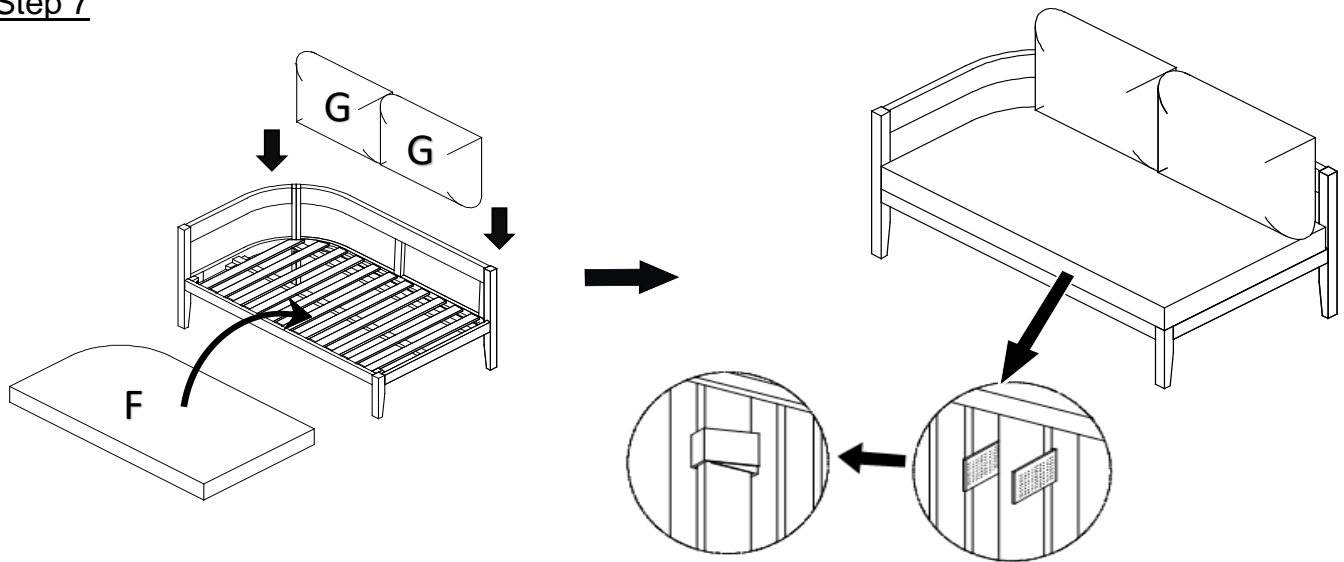
With assistance from your adult partner(s), attach the Seat Panel (E) into the assembled parts in step 4 using Screws (④) and the Allen Wrench (⑤) as shown in the above picture.
DO NOT fully tighten the Screws at this time.

Step 6



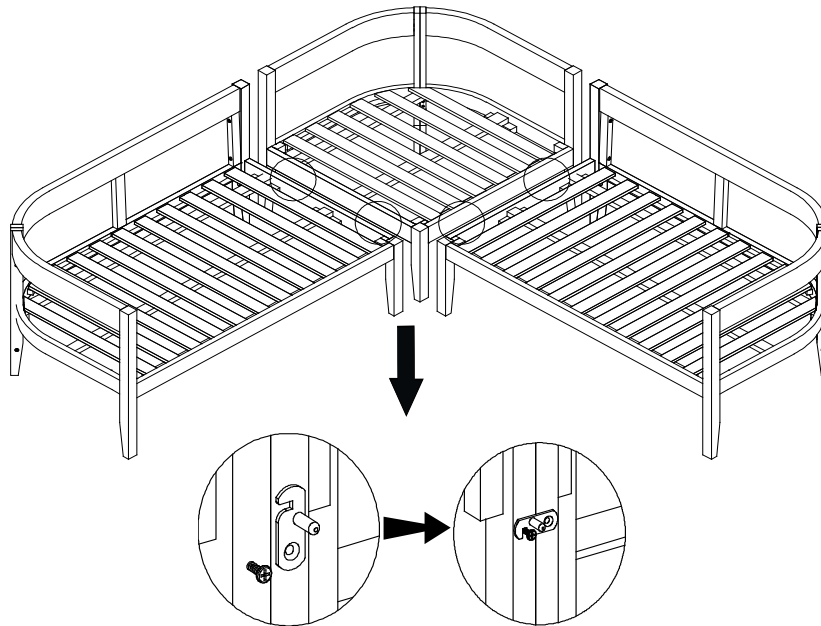
Turn the Loveseat right side up.
Inspect the Loveseat and make sure all parts are adequately connected.
In a sequential manner, tighten all Screws and Bolts at all joints.
With assistance from your adult partner, adjust the Levelers to the desired height to avoid wobbles.
CAUTION : When tightening these screws and bolts, tighten sequentially.
DO NOT tighten any screw or bolt fully and then move towards the next one. This could cause the frame to warp.
WARNING!! IF THE Loveseat IS NOT STABLE , IT COULD LEAD TO DAMAGING THE PRODUCT.

Step 7












Place the Seat Cushion (F), then the Back Cushions (G) onto the Loveseat.
Then affix the "magic tape straps" around the Loveseat as shown above.
Your Loveseat is ready to be used.
This Loveseat can only be used on a flat, level surface.

Step 8



With assistance from your adult partners, place the Loveseats and Corner Seat facedown and connect the pre-attached clips to connect the Loveseats together.
Note: This is an optional step in case you want to connect the two Loveseats and Corner seat in the set together and should be performed before affixing the cushions.

Care & Maintenance

-  ● Do not put hot items directly on furniture surface
 -  ● Do not clean furniture with harsh cleansers or polish.
 -  ● To obtain the longest lifespan of your outdoor products, minimizing exposure to direct sunlight is recommended.
 -  ● Children should not climb or jump on the furniture.
 -  ● Do not write on furniture without a padded barrier to protect the surface.
 -  ● To obtain the longest lifespan of your outdoor products, avoid extended and lengthy exposure to rain, snow, and direct sunshine. Whenever possible cover the product and /or place under patio or awnings.
 -  ● Not for commercial use. For residential use only .
 -  ● Stains may be removed with mild soap solution and damp cloth.
-
-  ● Dust and pick-up spills using a clean, non-colored, lint-free cloth .