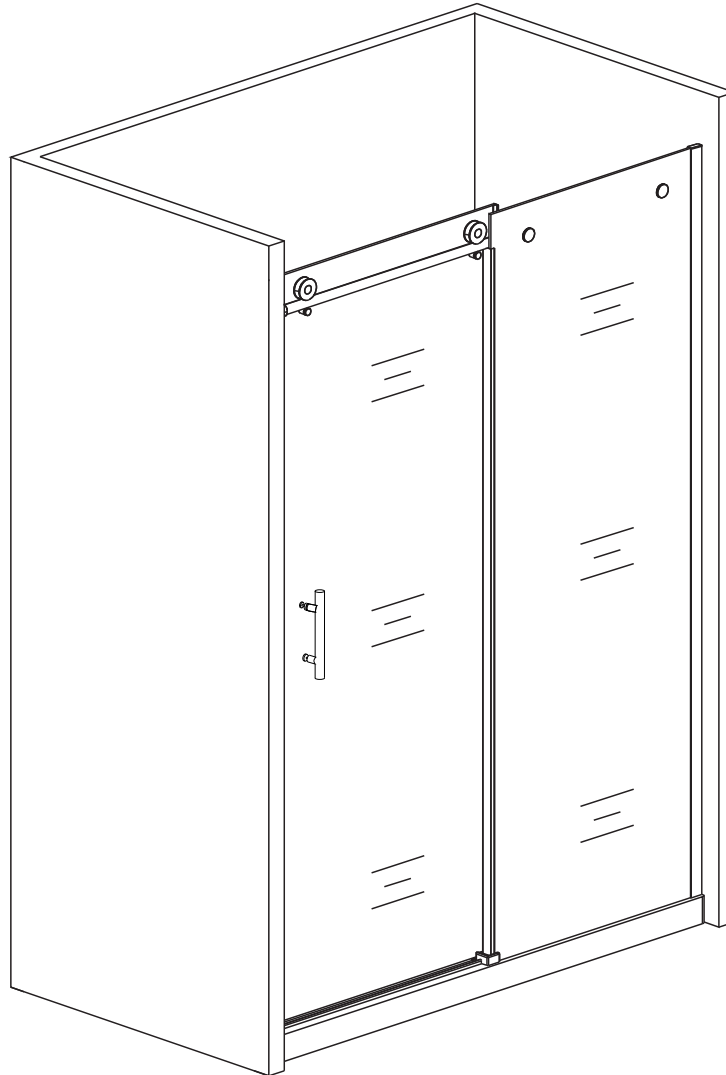


INSTALLATION GUIDE



The left-hand door installation is shown as an example throughout this manual. For the right-hand door installation, simply begin on the opposite wall and reverse the orientation of the steps shown.

INSTALLATION MANUAL



IMPORTANT

- Thoroughly inspect your product before proceeding with the installation.
- The warranty will be void if the product is installed with a conspicuous defect.

BEFORE STARTING THE INSTALLATION

This manual covers the installation and maintenance of your new products. Read through it once before proceeding to the installation.

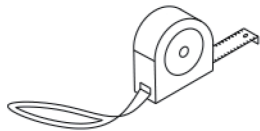
Consult your local building code to ensure that the installation complies with the standards of your area.

Carefully inspect the products upon arrival to make sure that there's no damage or missing pieces. If you find a defect, contact your distributor. If damage has occurred during transport, contact your carrier. Care must be taken to protect the surface during handling and installation.

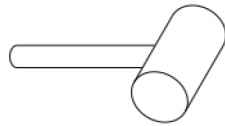
Before proceeding with any plumbing work, make sure to consult an appropriate certified professional from your local code.

The dimensions of the product may differ from those indicated on the drawings.

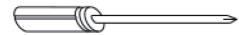
REQUIRED TOOLS & MATERIALS



MABBAND



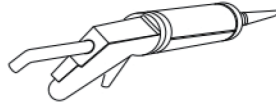
GUMMIHAMMER



SCHRAUBENZIEHER



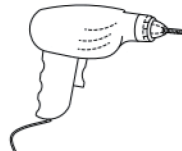
WASSERWAAGE



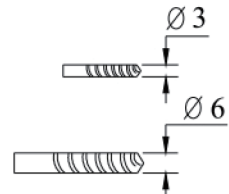
SILIKONPISTOLE



BLEISTIFT

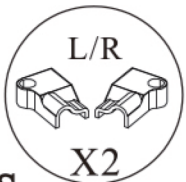
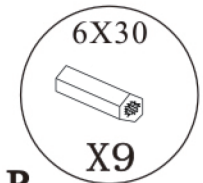
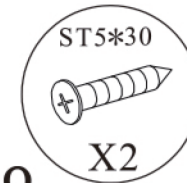
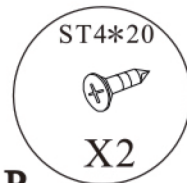
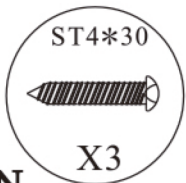
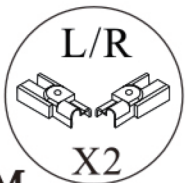
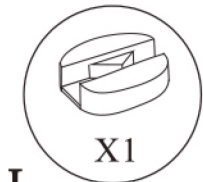
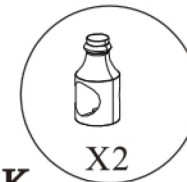
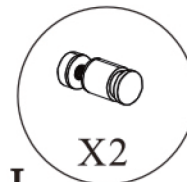
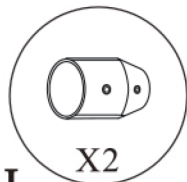
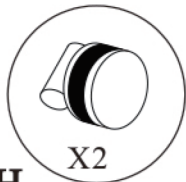
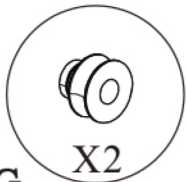
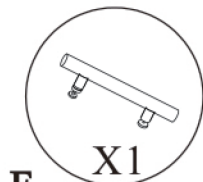
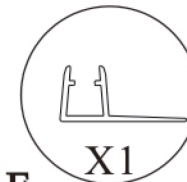
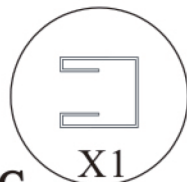
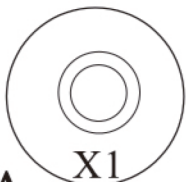


BOHRMASCHINE



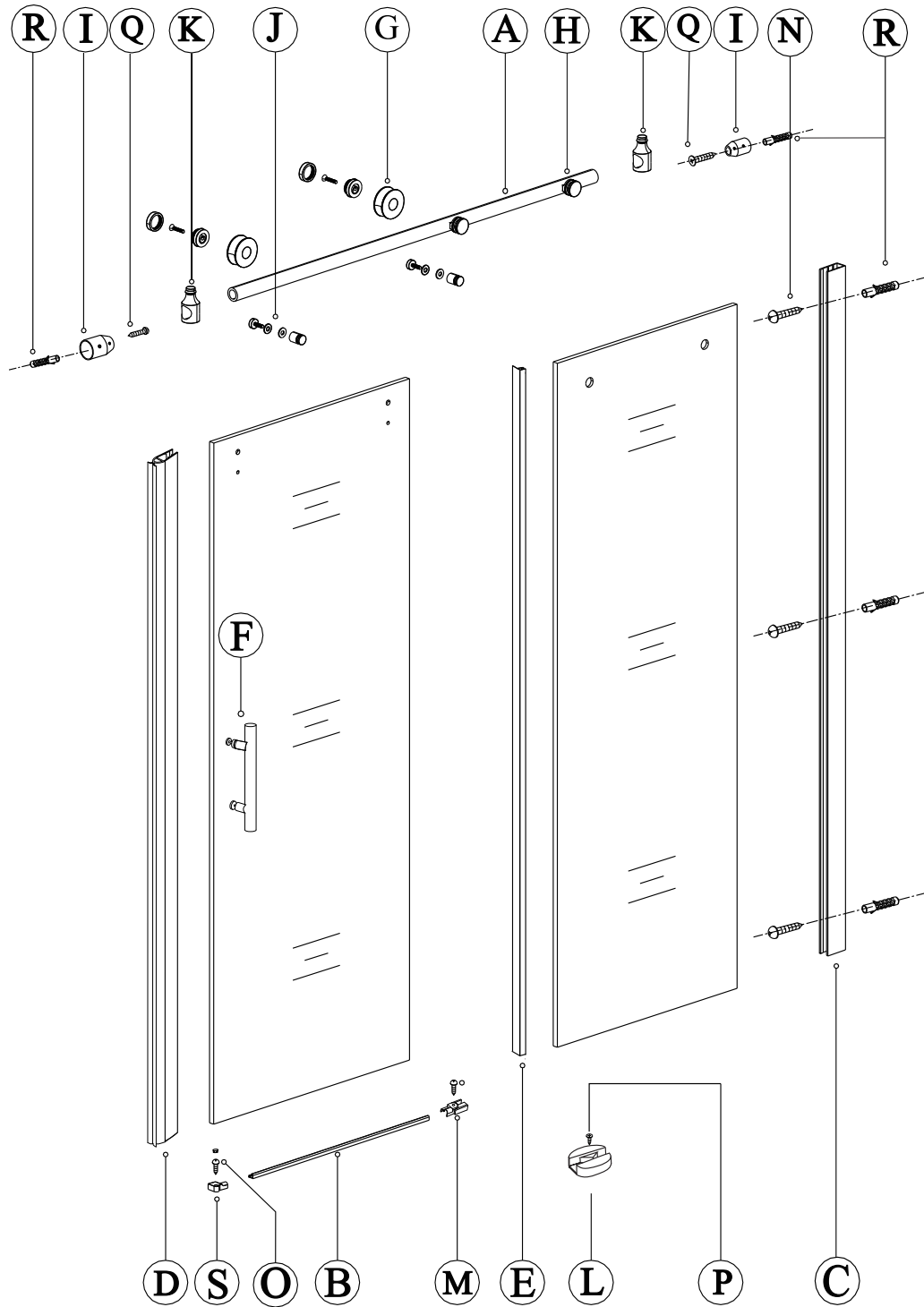
BOHRER

PART LIST



You may need more than 2 sets of spare parts when using on wall configuration. There may be some spare parts left after installation.

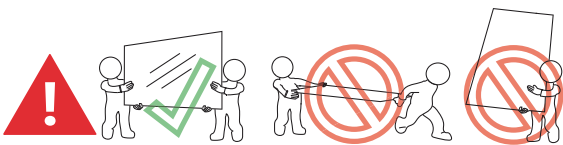
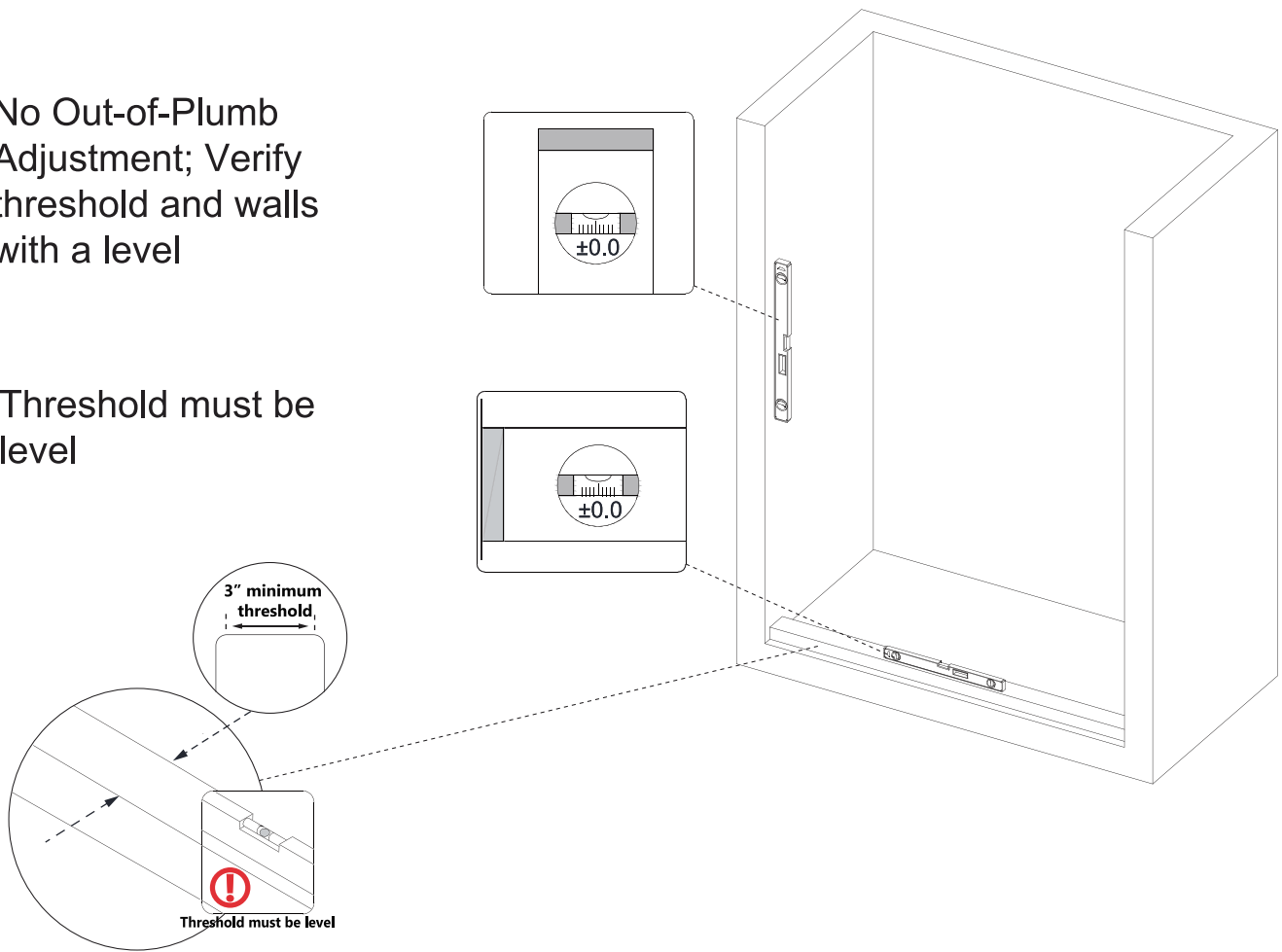
AUFBAUSCHEMA



Model Specific Preparation

No Out-of-Plumb Adjustment; Verify threshold and walls with a level

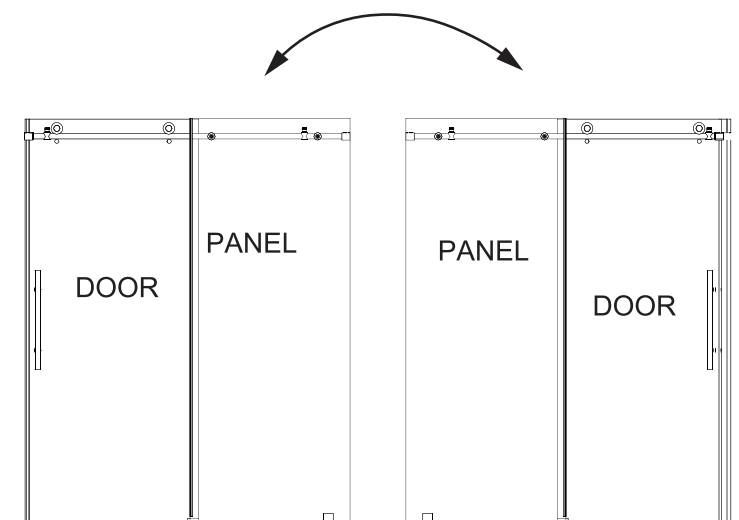
Threshold must be level

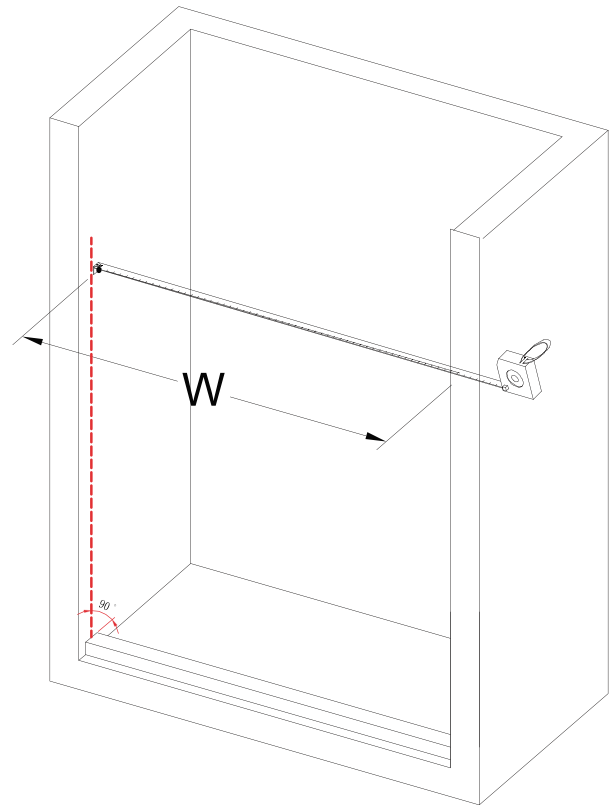
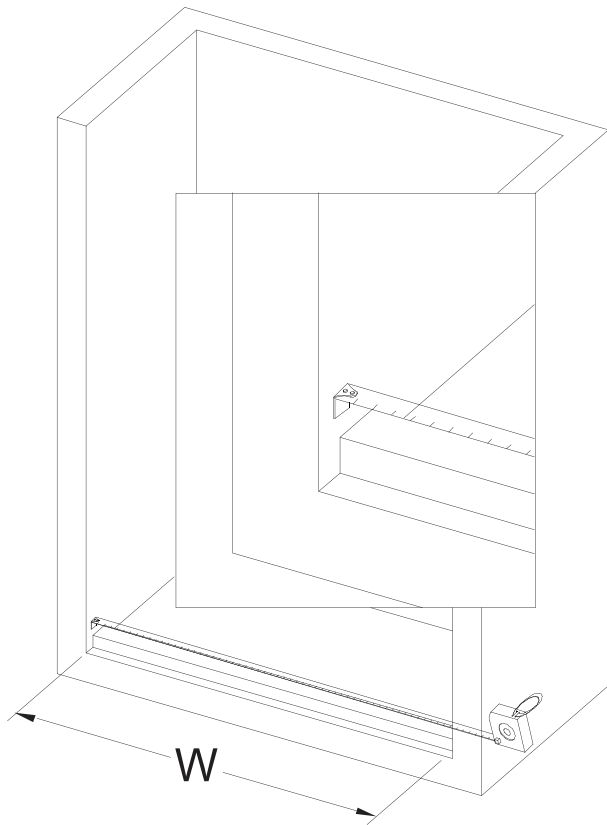
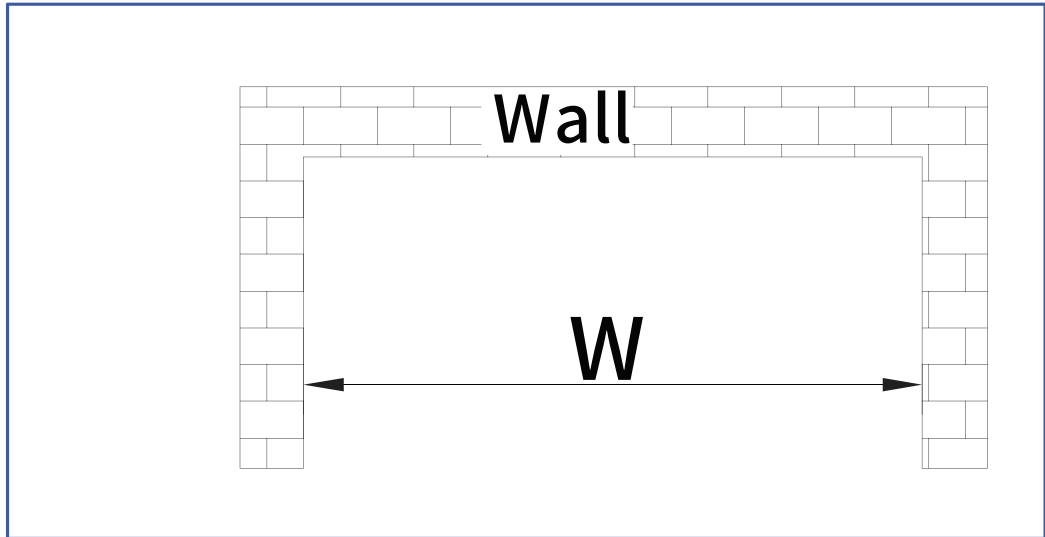


CAUTION!  **TWO PERSON LIFT REQUIRED**

NOTE

This model is reversible for right or left-hand door installation. The right-hand door installation is shown as an example throughout this manual. For the left-hand door installation, simply begin on the opposite wall and reverse the orientation of the steps shown.



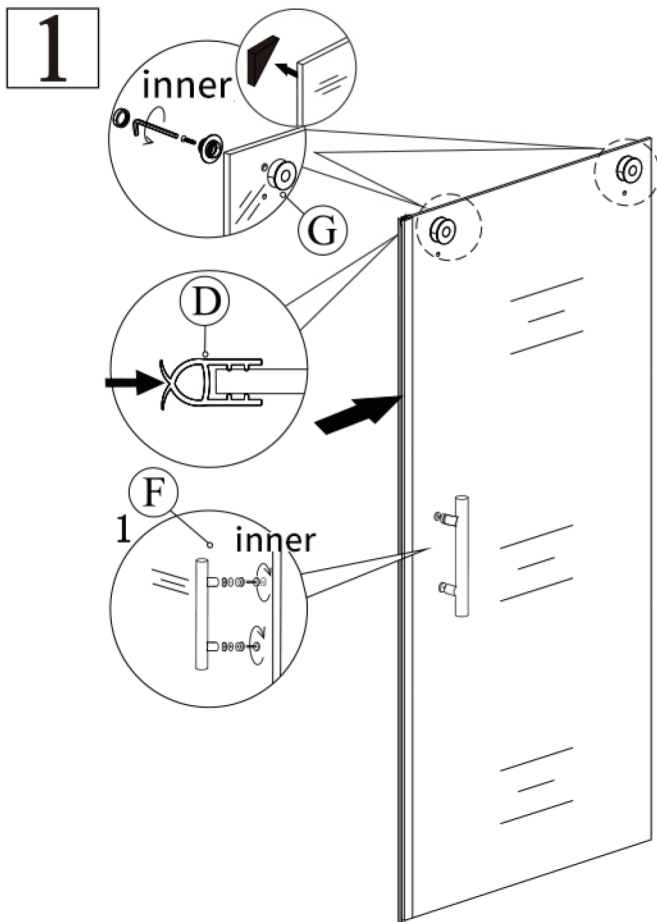


1. Measure the distance between two finished walls. This distance is marked as W.

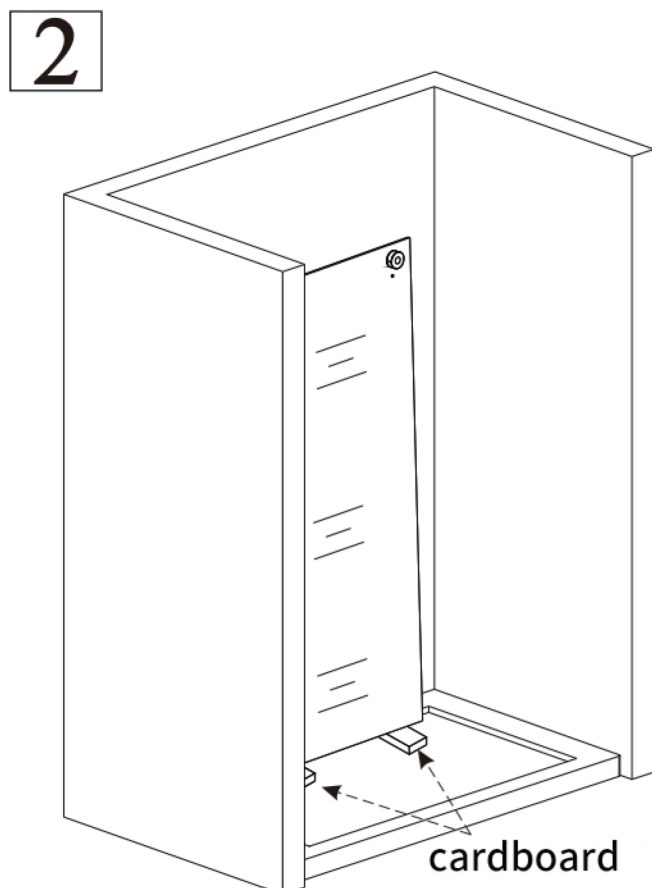
Please see Fig 1 for details:

Fig 1
(4)

Hardware rollers door handle and gaskets installation



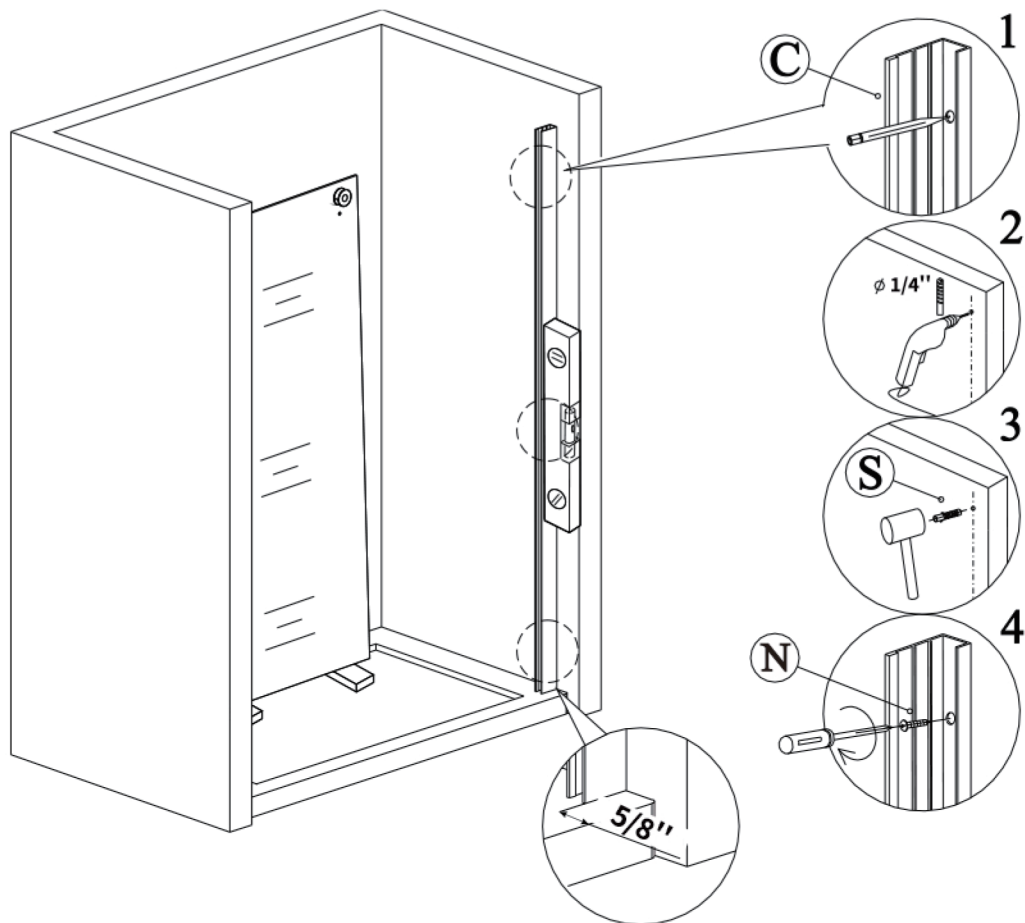
Install the hardware rollers G, tighten the screw with the allen key before installing the cap. and install the handle F into the holes and back splash gaskets D on the panel



Before starting the installation process place door panel in shower area on cardboard to protect the bottom of door

FIXED PANEL INSTALLATION

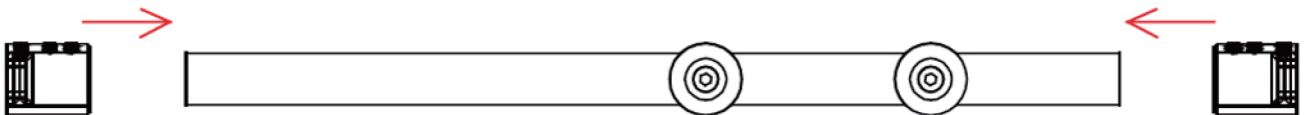
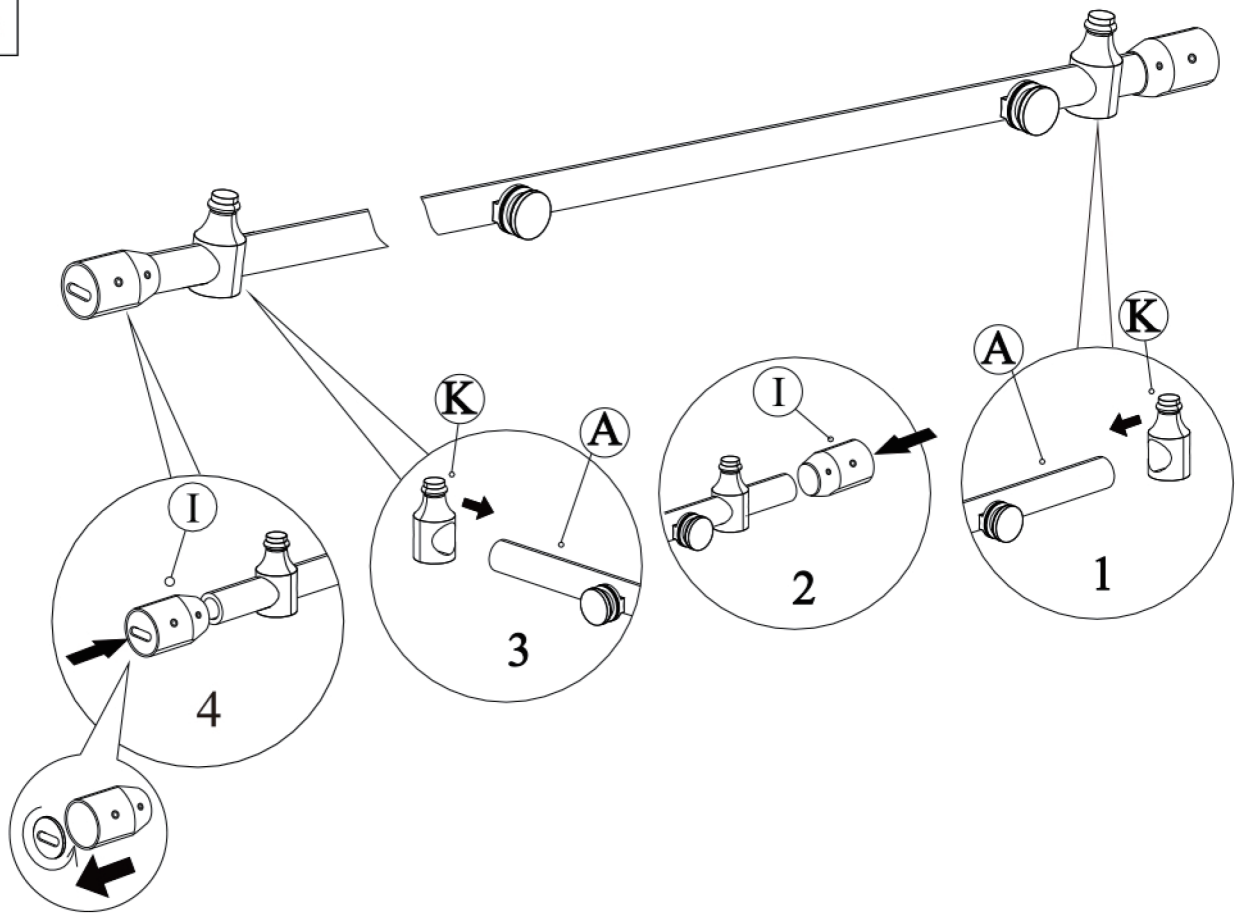
3



Measure the width of threshold tile where shower door is to be installed, this needs to be a minimum of $2 \frac{3}{4}$ " to install model shower enclosure. On the wall where the fixed panel is to be placed measure to the center of the threshold tile, from here measure towards the outer edge of the threshold 1" and mark the wall with a pencil. Using a level draw a line up the wall at this point. Along the drawn level line, mark 8" and 70" from floor. Using a $\frac{1}{4}$ " drill bit, you will drill the holes and install the wall clips.

RAIL INSTALLATION

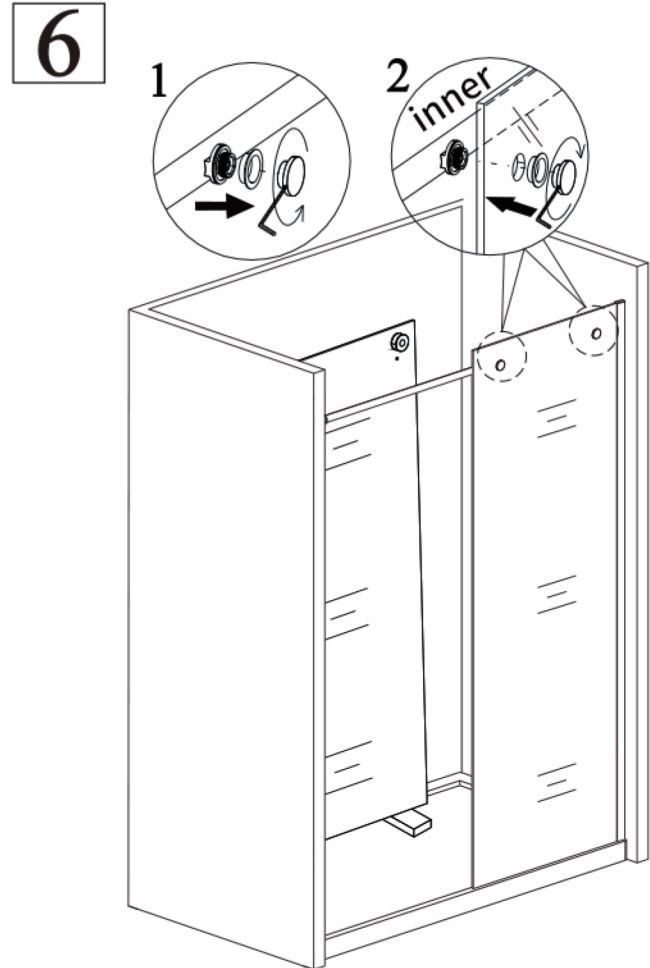
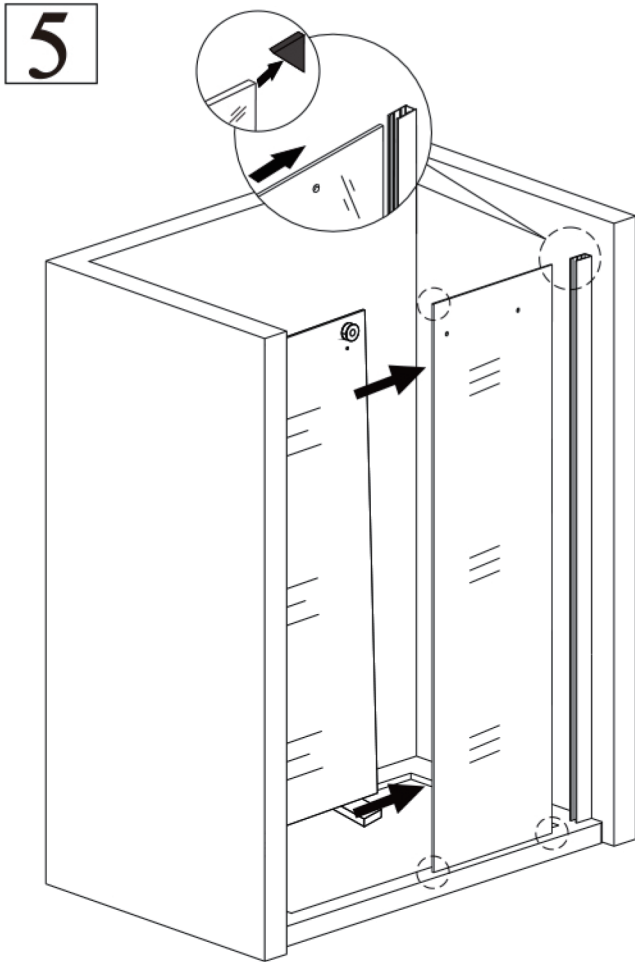
4



Note: The Glass Brackets have been pre-installed to the roller bar.

Measure the width of your opening and subtract one inch, for example if your opening measurement is 47" your rod length should be 46". Now measure out this distance on your rod and cut to proper length. DO NOT trim the end of the rod that has the fixing clamps. Trim the opposite end of rod.

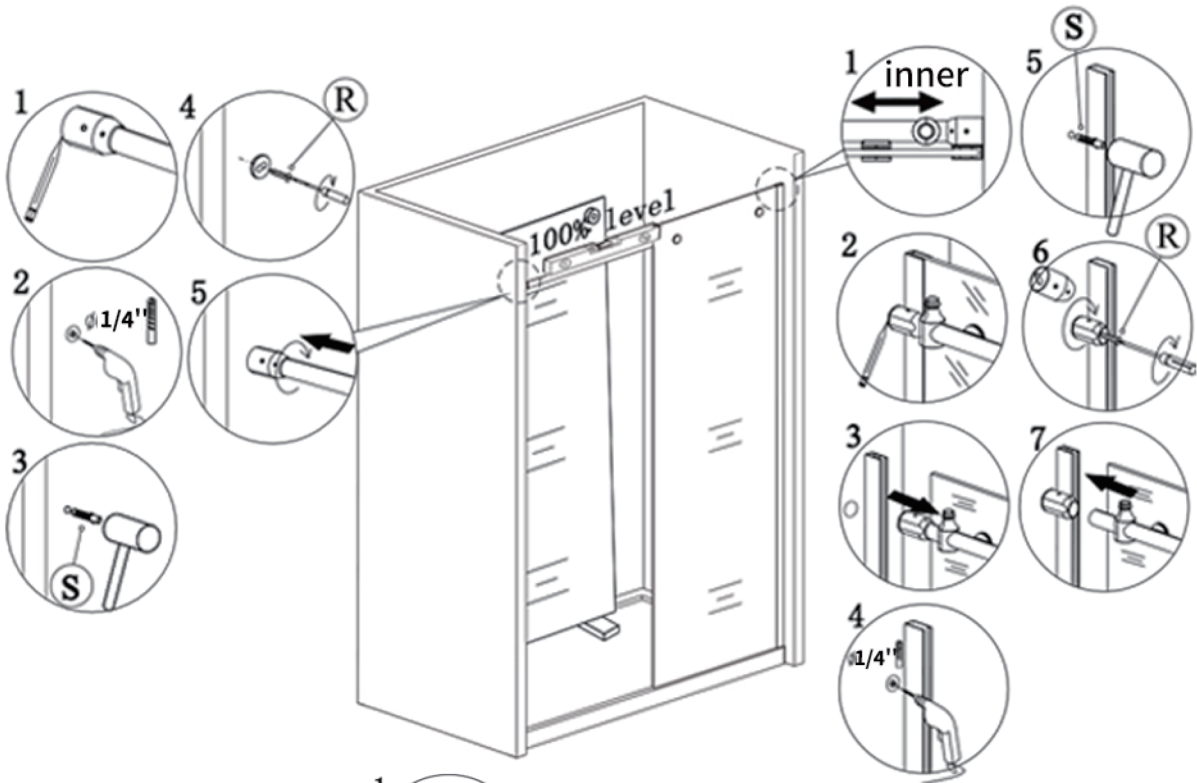
BOTTOM DOOR GUIDE INSTALLATION



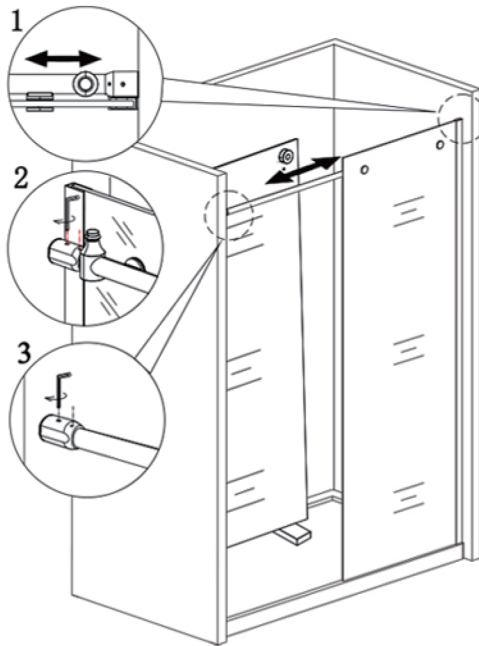
Partially insert gasket, adjust and tighten at the end of the door installation. Make sure bottom corners of fixed panel are the same distance from the front edge of threshold tile.

DOOR INSTALLATION

7

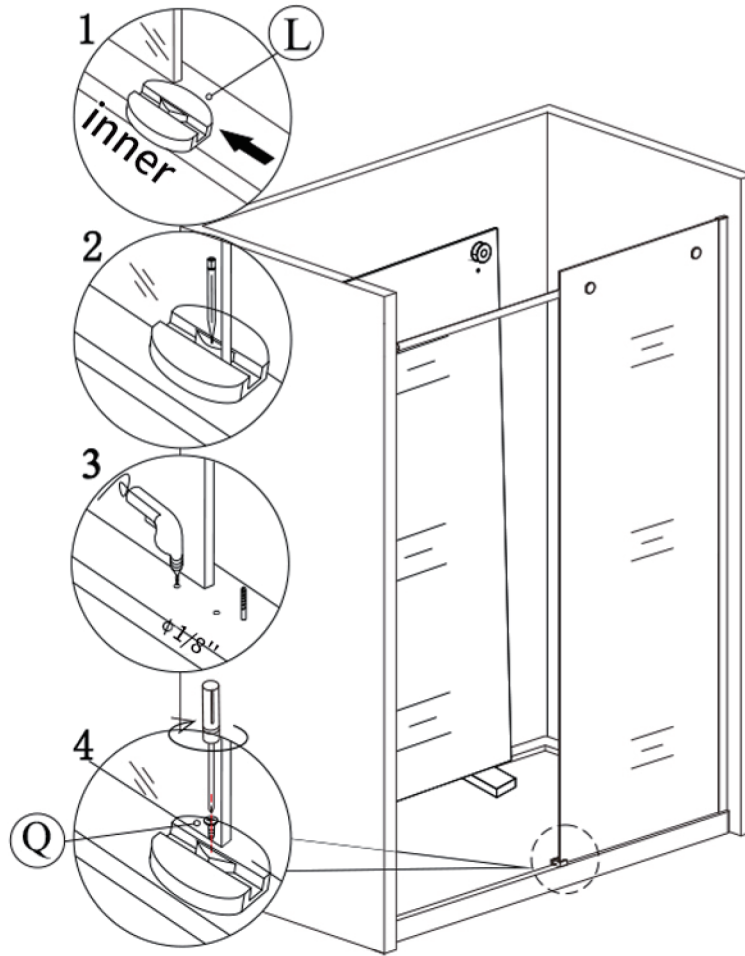


8



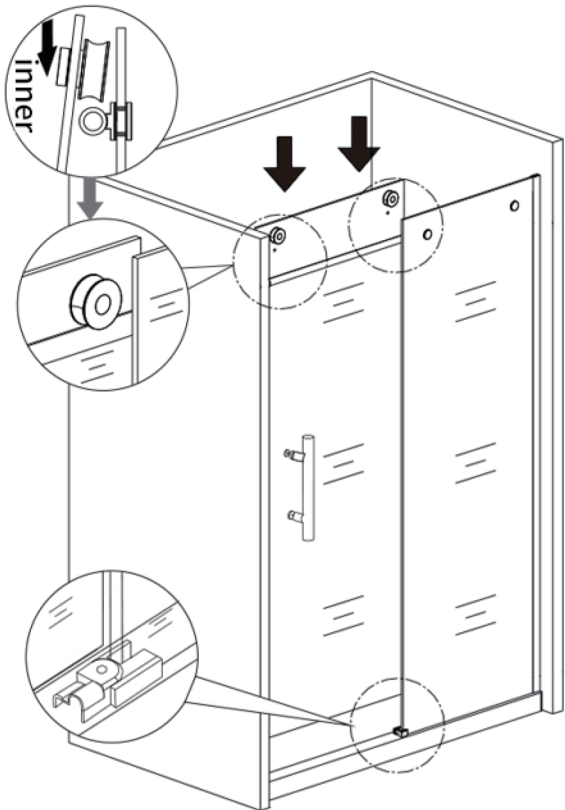
Install the brackets on shower rod into the holes on the fixed panel. Using a level, check rod is perfectly level from one wall to the other. Once in correct position mark the placement of brackets on wall and uninstall rod from glass panel. Remove one of the wall brackets from rod and mark the holes to be drilled on each wall.

9

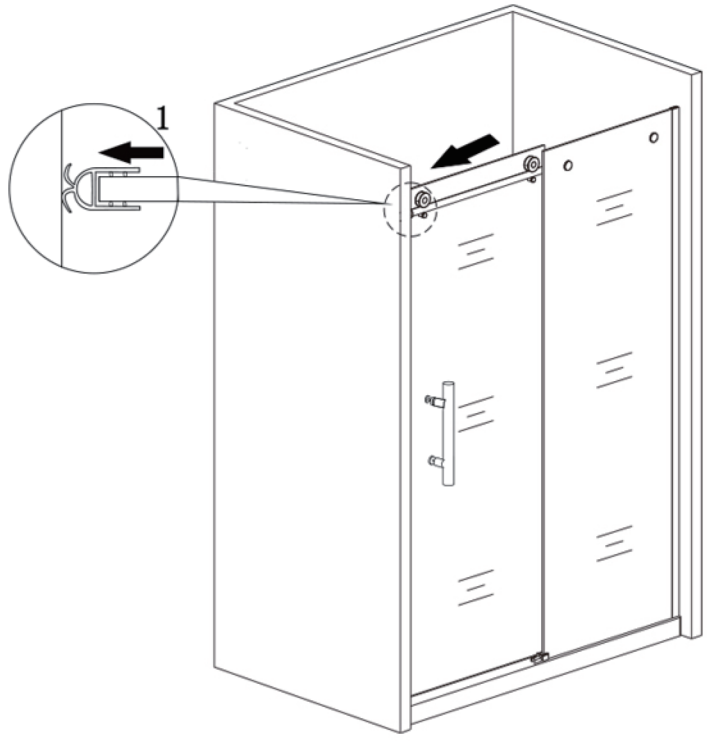


Make sure both ends of the fixed panel are the same distance to the front of the threshold tile (or fiberglass pan) and check panel is level again. On the floor bracket loosen the allen screw on solid section of bracket and rotate the adjustable end which fits into fixed panel to suit left or right installation. Once the end has been rotated to suit your direction re tighten the allen key screw and slide bracket over fixed panell, mark the drill hole on the curb and remove the bracket so you can drill the 1/4" hole into curb. Now install green anchor plug, fill this hole with a little bit of silicone to waterproof, reinstall bracket on fixed panel then screw the bracket down to secure.

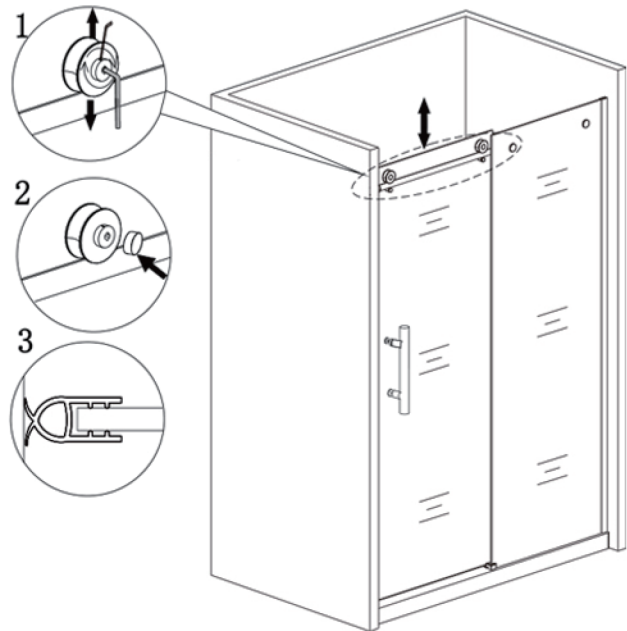
10



11



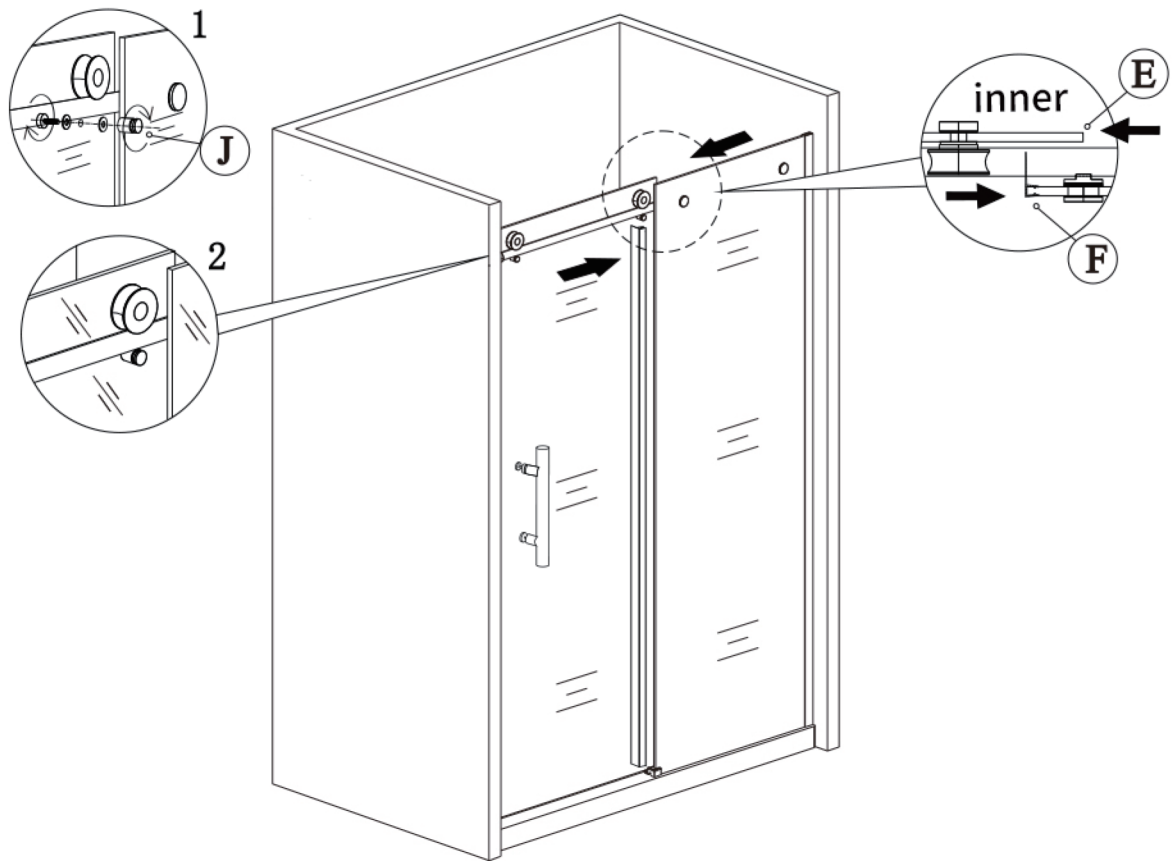
12



Install the door panel, lift the door and slowly lower the rollers onto the shower rod. When lowering the panel be sure the bottom of door panel slides into the floor bracket. Install clips on glass door to

prevent the door from being able to come off rollers. Gently slide door from side to side making sure it is not binding anywhere along the bottom. Check the door is level and lines up evenly with the wall - if not, adjust the heights / level with the adjustments in door rollers.

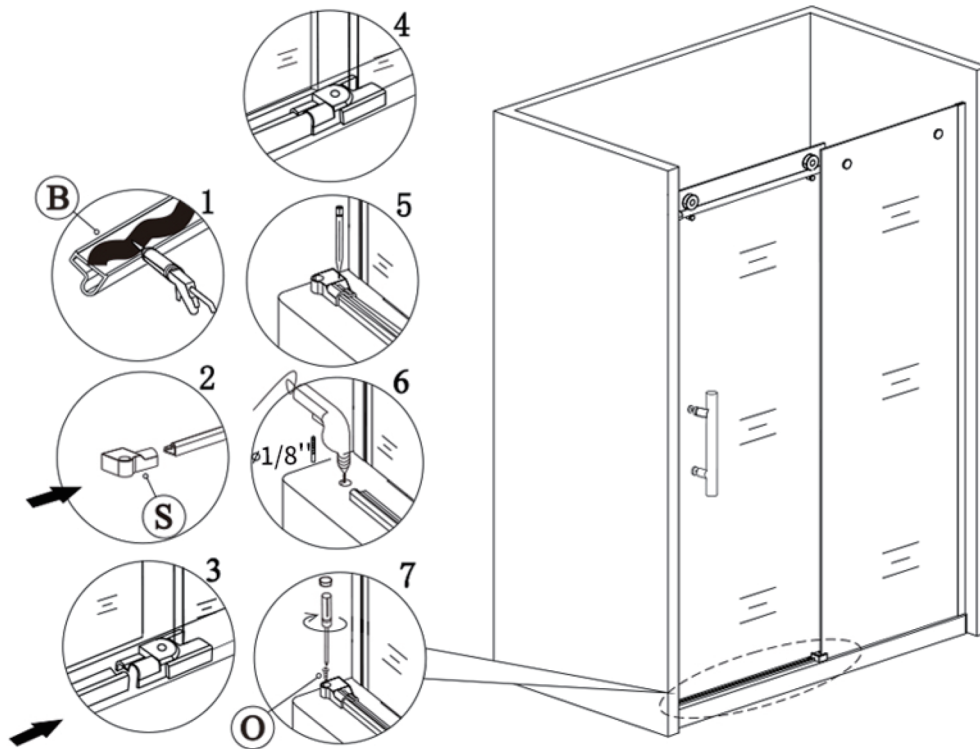
13



Adjust door stops on top of shower rod to ensure the door panel does not hit the wall or the door handle touches the fixed panel.

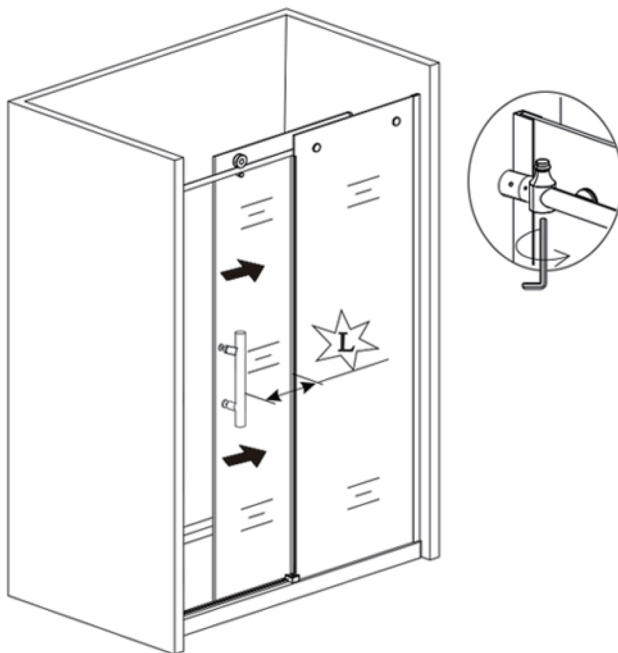
BACKSPLASH INSTALLATION

14



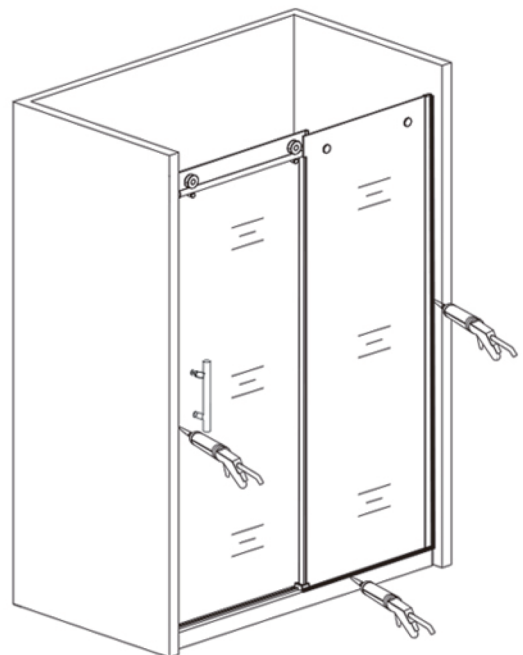
Install aluminum floor strip to prevent water leakage. Measure distance from floor bracket to wall and cut aluminum floor strip to fit.

15



Install the plastic weather strip on panels.

16



Silicone the fixed panel inside and outside of enclosure.