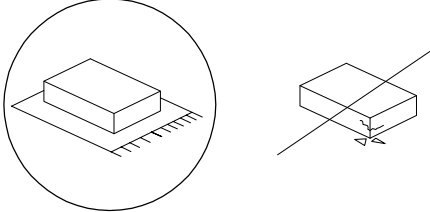


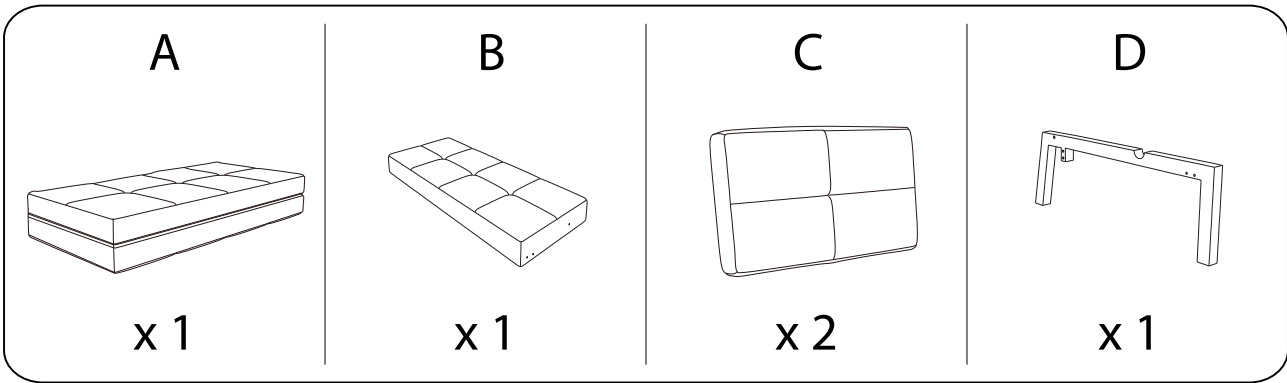
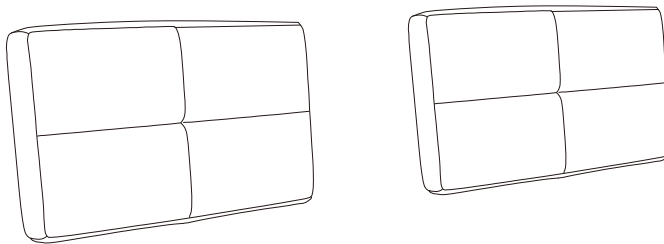
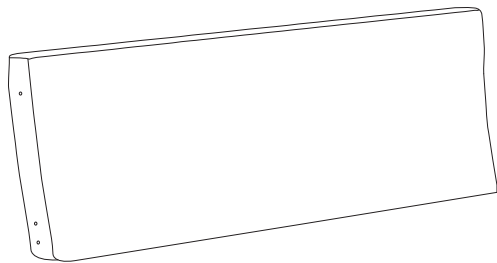

		<p>45'</p>
		
		<p>1</p>



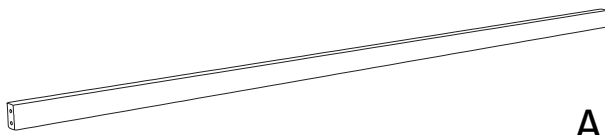
**C x 2**



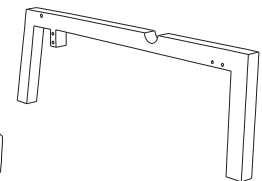
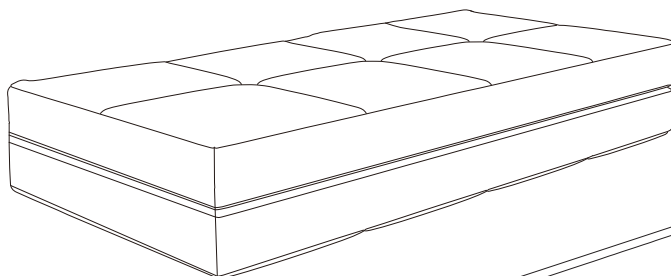
**B**



**M**

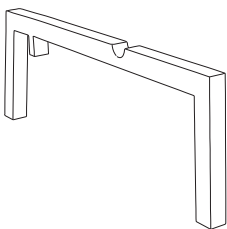


**A**

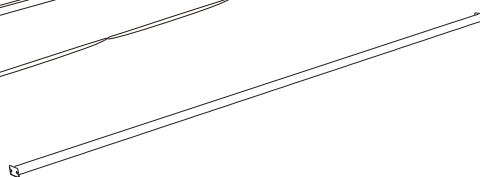


**D**

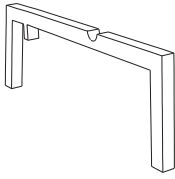
**E**



**L**

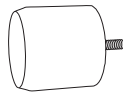


E



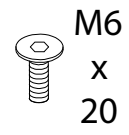
x 1

F



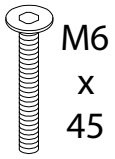
x 2

G



x 12

H



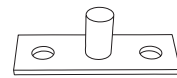
x 4

I



x 2

J



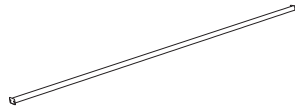
x 2

K



x 1

L



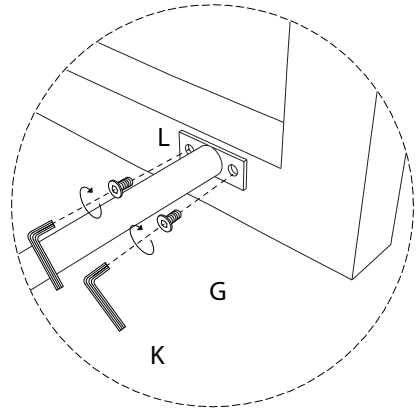
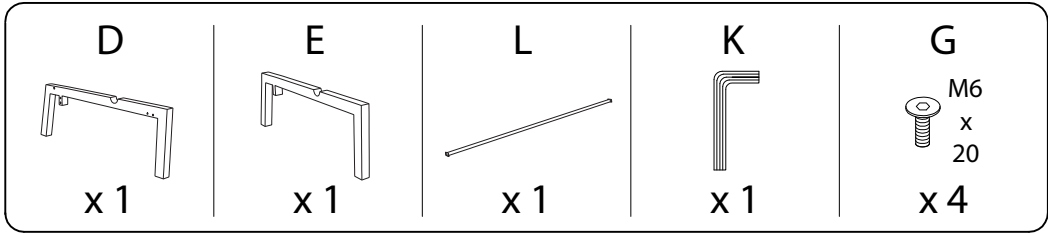
x 1

M

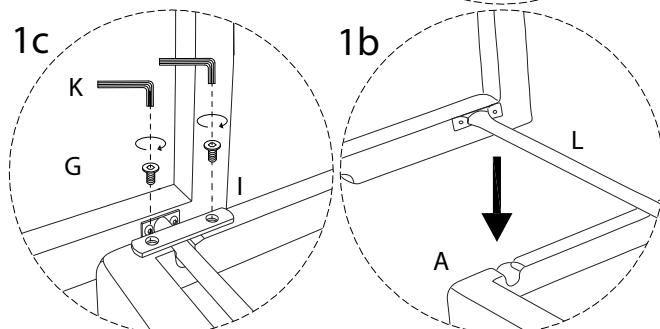
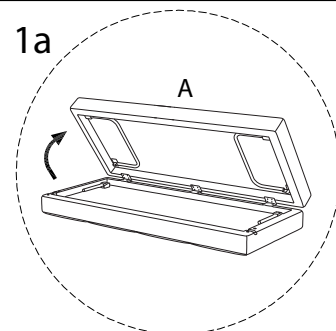
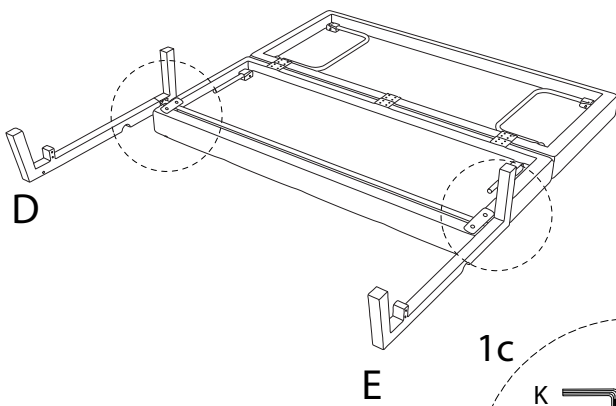
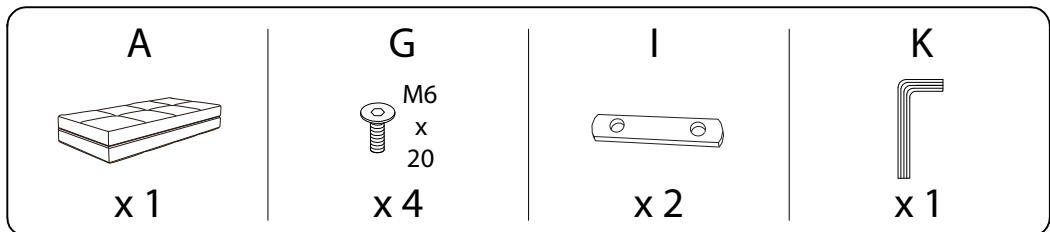


x 1

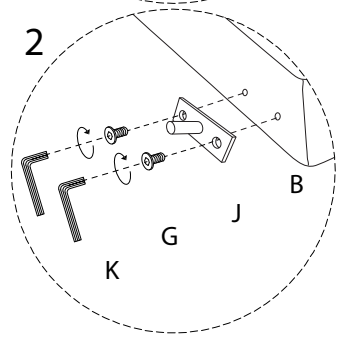
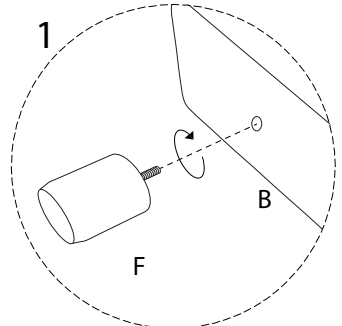
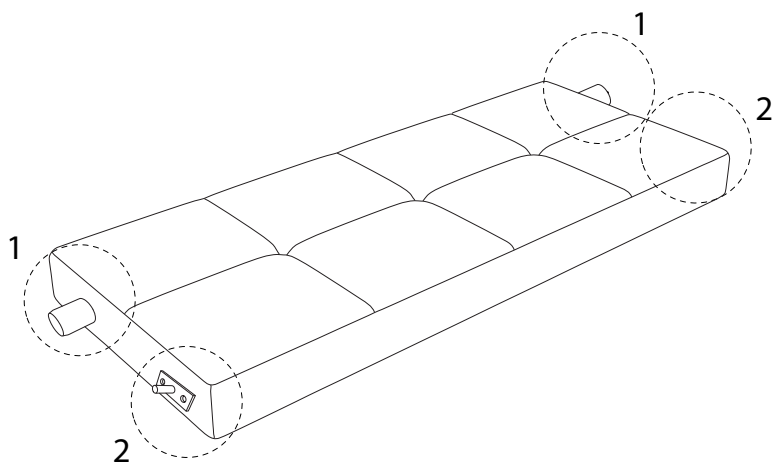
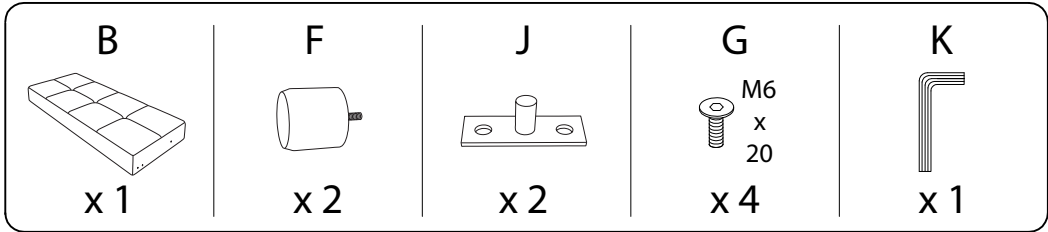
1



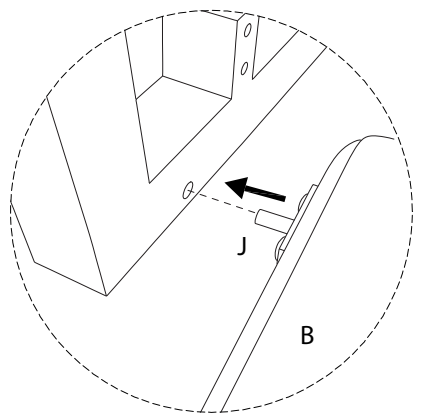
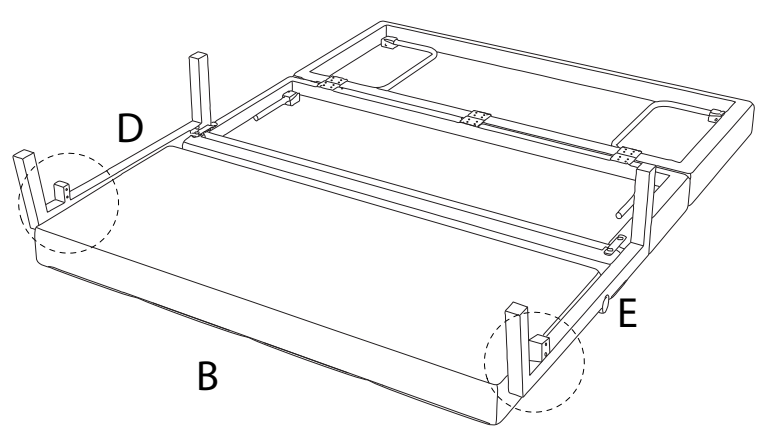
2



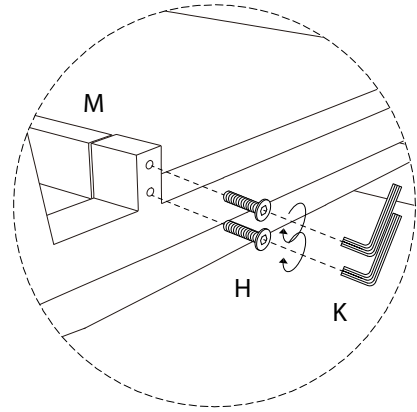
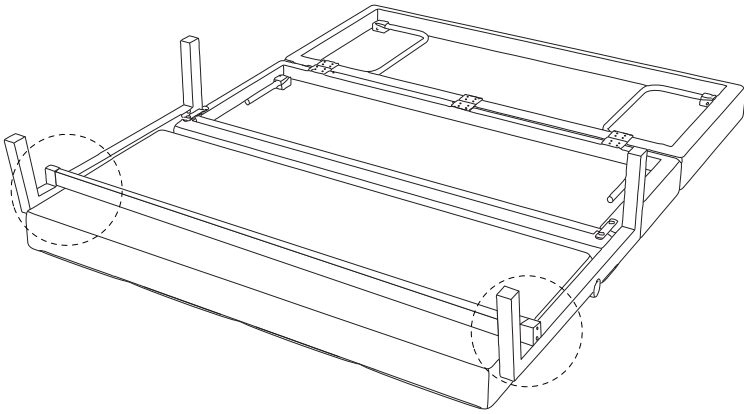
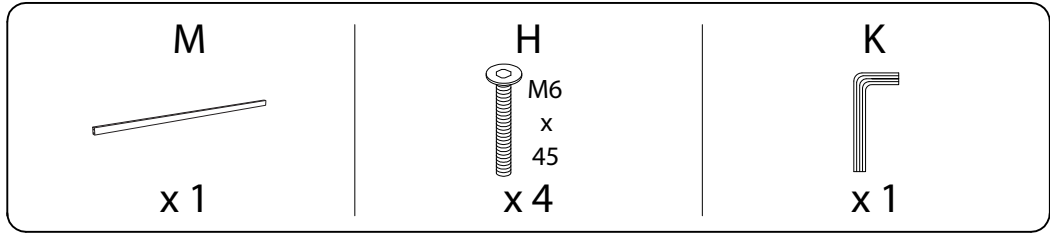
3



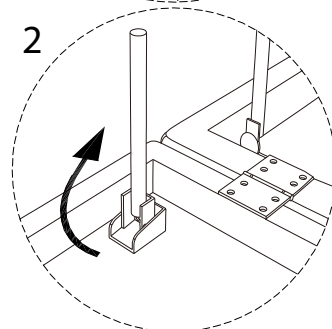
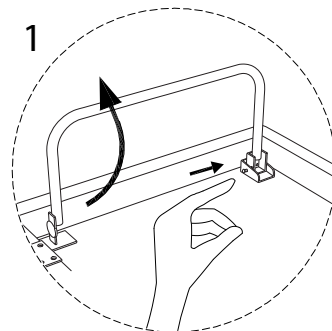
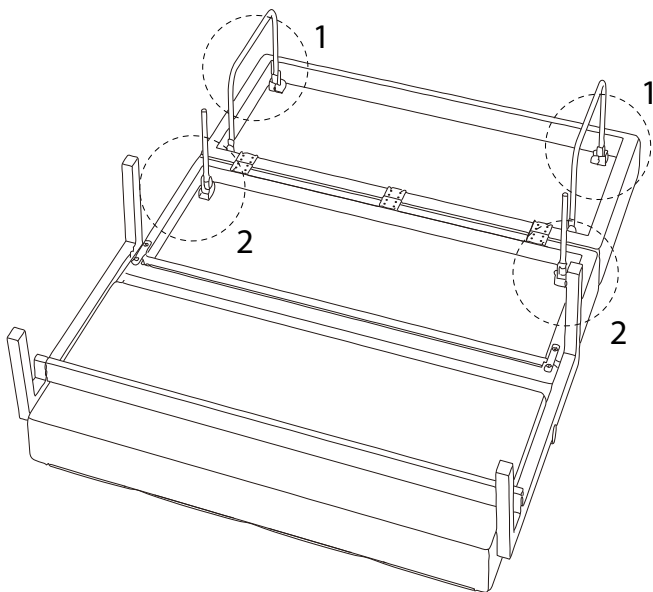
4



5



!



!

