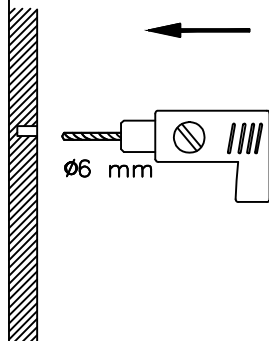
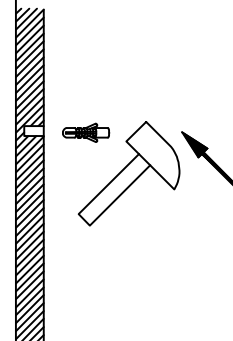


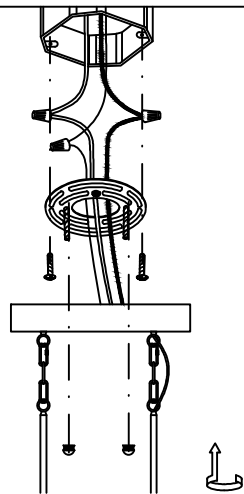
1. Assemble the parts in the package according to the graphic structure.



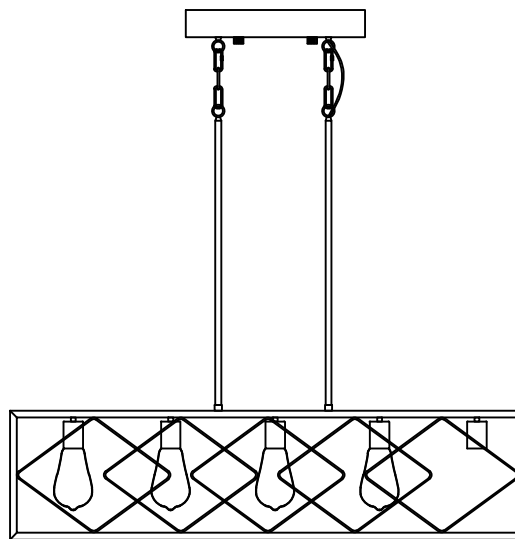
2. According to the hole position of the mounting plate, draw the distance of drilling on the wall, and turn the hole of 6mm on the wall with an electric drill.



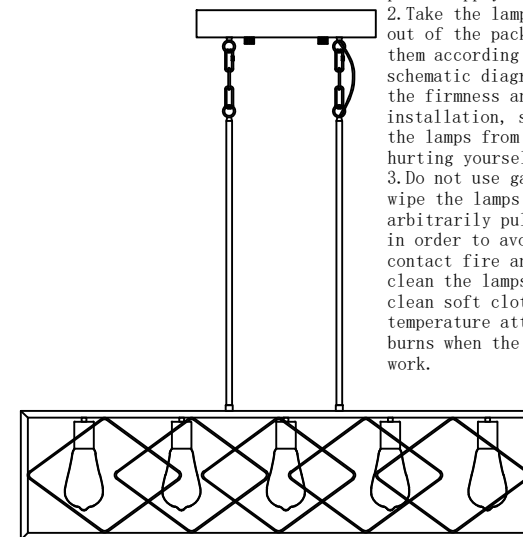
3. Put the plastic granules packed by the accessories into the opening hole.



4. The white line N-pole and black line L-pole of the lamp are connected to the reserved power line above the wall, and the ground wire is connected to the reserved ground wire above the wall. Align the mounting hole position of the hardware disk with the mounting hole position of the mounting plate, and tighten the nut to secure it to the wall.



5. Install the light source.



#### Note:

1. This product is suitable for 85-265V voltage, please cut off the power supply before installation.
2. Take the lamps and accessories out of the packing box and assemble them according to the installation schematic diagram. Please ensure the firmness and reliability of installation, so as not to prevent the lamps from falling off and hurting yourself or others.
3. Do not use gasoline or water to wipe the lamps and lanterns, do not arbitrarily pull and twist the wire in order to avoid the danger of bad contact fire and electric shock, clean the lamps and lanterns with a clean soft cloth, there will be temperature attention to prevent burns when the lamps and lanterns work.