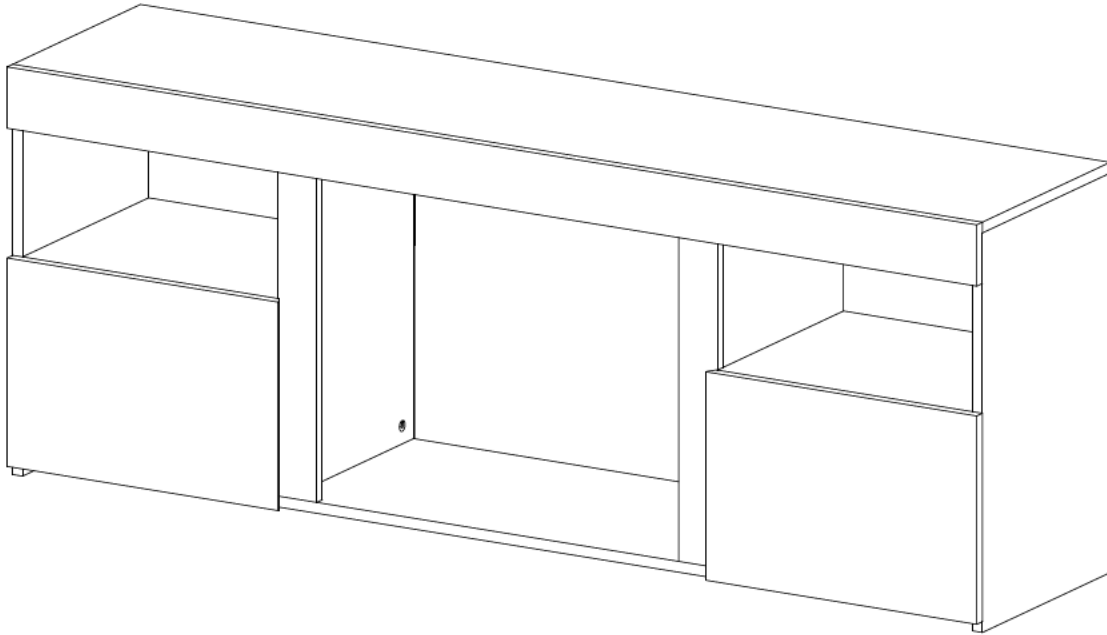


IMPORTANT INSTRUCTIONS AND OPERATING MANUAL

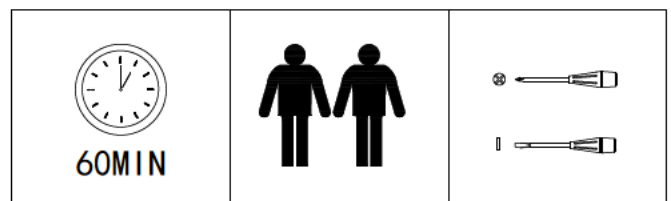


ELECTRIC FIREPLACE

THIS INSTRUCTION BOOKLET CONTAINS IMPORTANT SAFETY INFORMATION. PLEASE READ AND KEEP FOR FUTURE REFERENCE.

WARNING

- Unit can tip over causing severe injury.
- Anchor unit to study on wall (if instructed to).
- Do Not allow children to climb on unit.
- Put heavy items on lower shelves or drawers.



[Helpful Hints]

PEOPLE NEEDED FOR ASSEMBLY: 2
ESTIMATED ASSEMBLY TIME: 1 HOUR

-Open your item in the area you plan to keep it to avoid excessive heavy lifting.



-Identify, sort and count the parts before attempting assembly.



-Make sure to always face the point on the top of the Cam Lock towards the outer edge.



-Use all the nails provided for the back panel and spread them out equally.



-Back panel must be used to make sure your unit is sturdy.

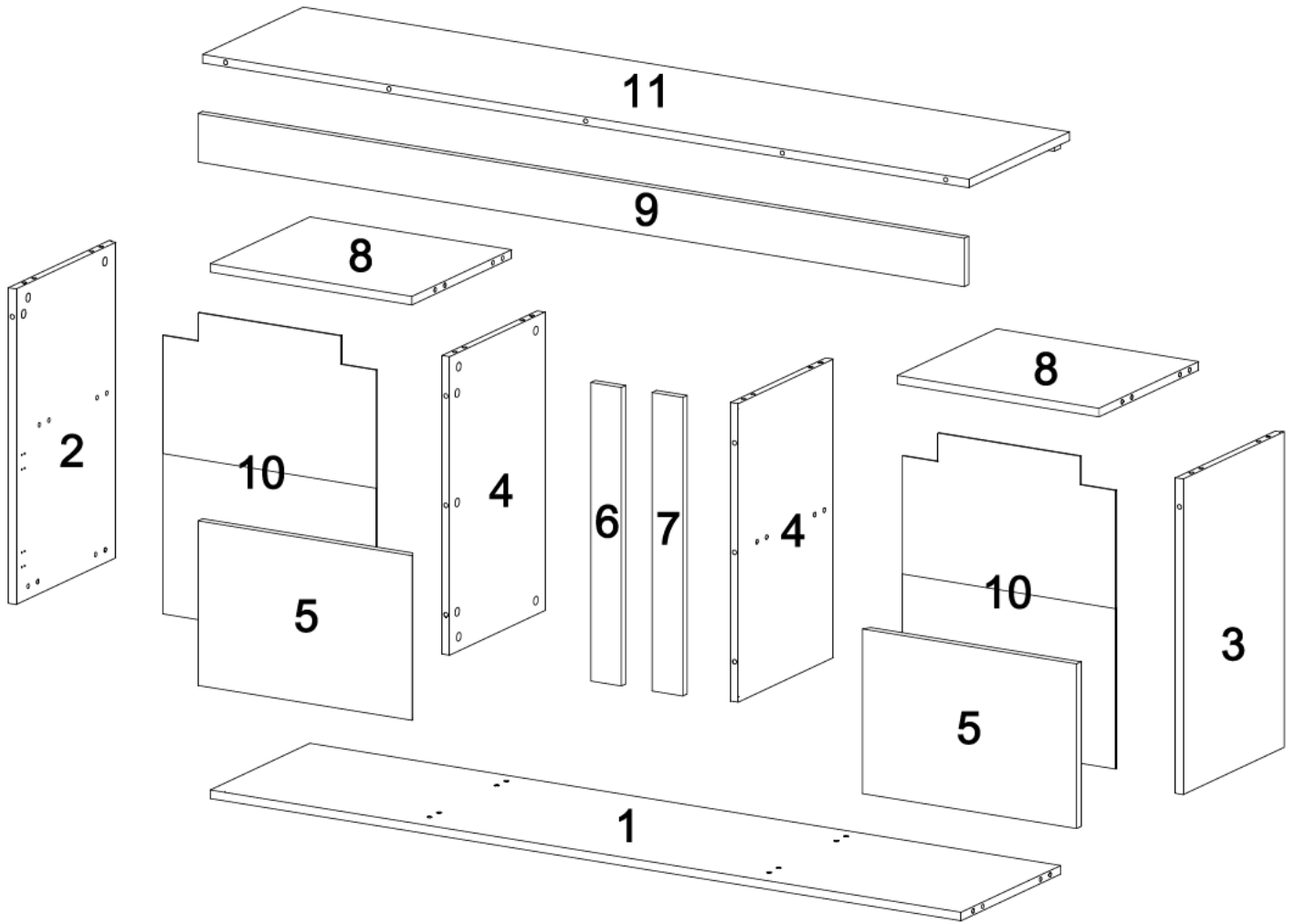


-Do NOT use harsh chemicals or abrasive cleaners on this item.

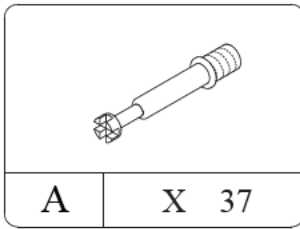
-Never push, pull, or drag your furniture.



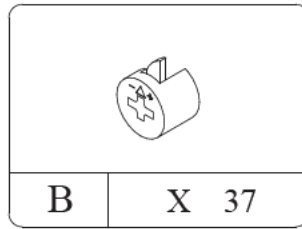
PARTS LIST



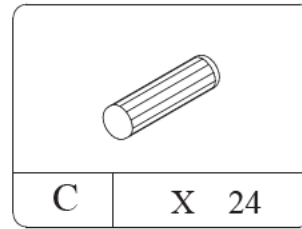
HARDWARE LIST



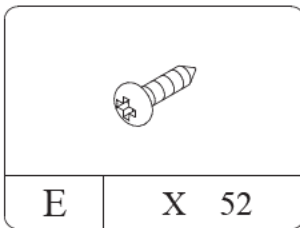
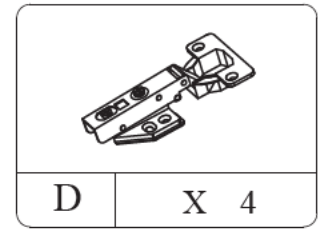
Ø6.5 x35mm



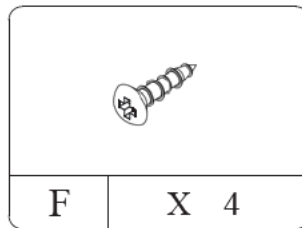
Ø15 x 12mm



Ø8 x 30mm

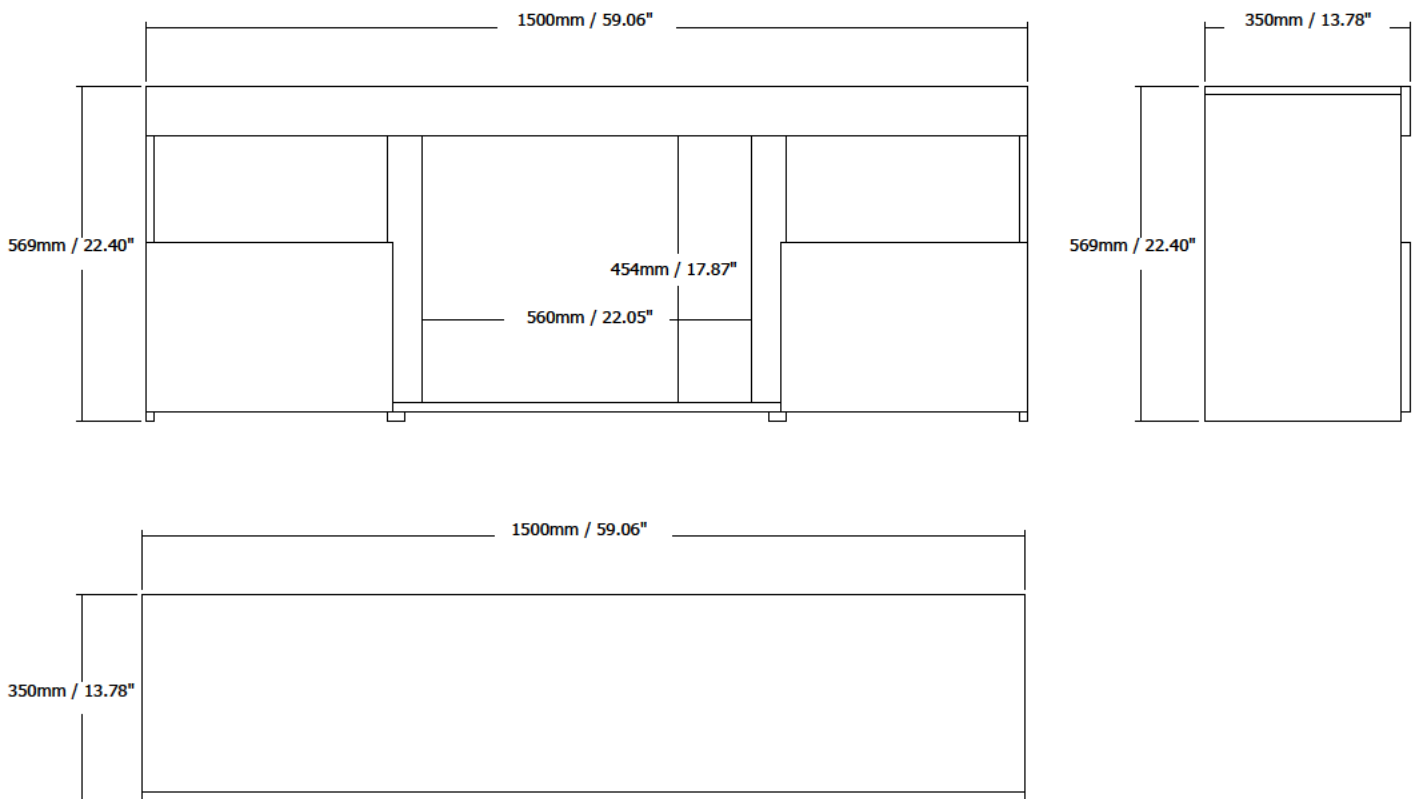


Ø3 x12mm



Ø4 x12.7mm

DIMENSIONS

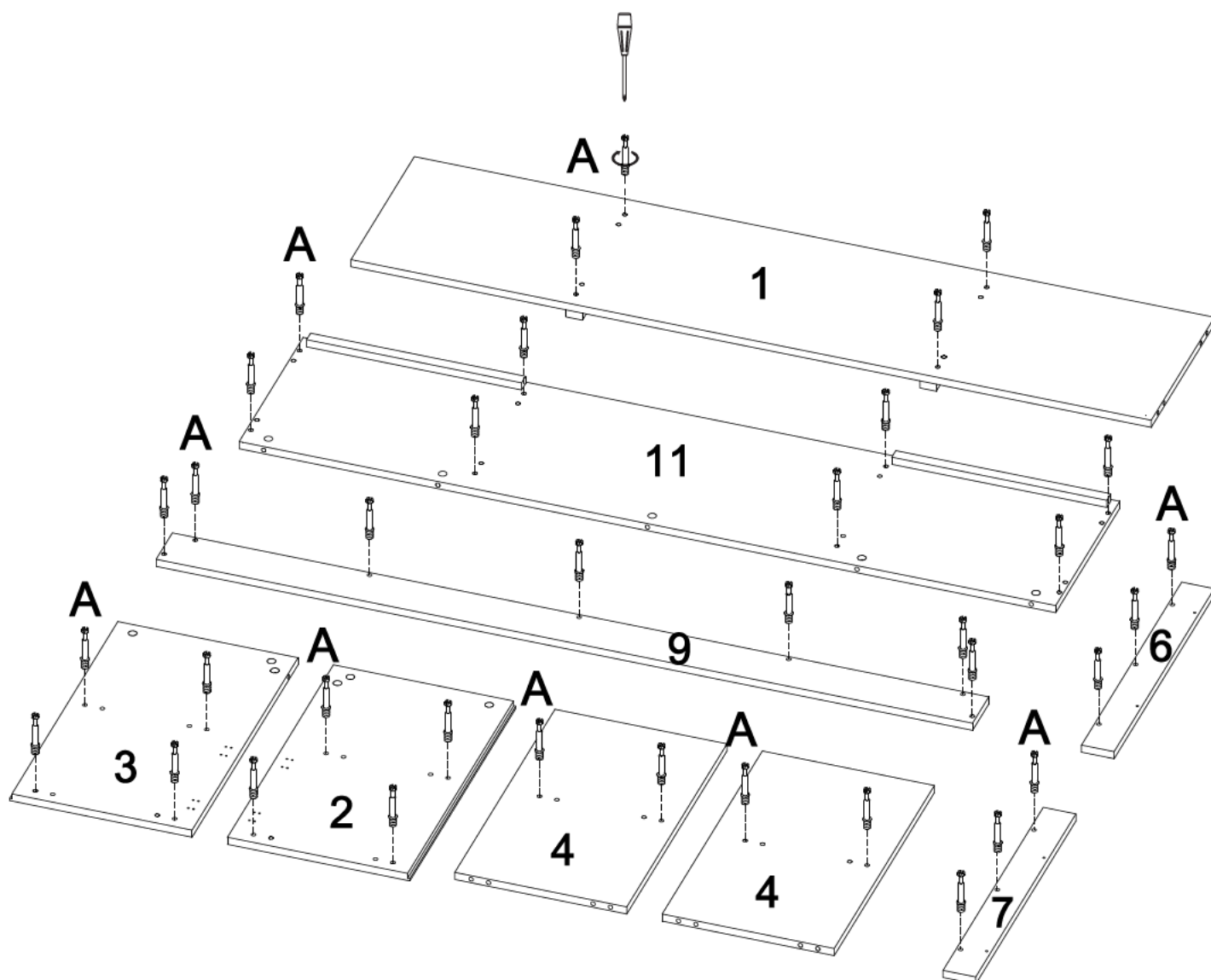
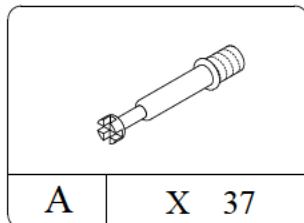


ASSEMBLY

Before installing this fireplace, please read the following steps carefully.

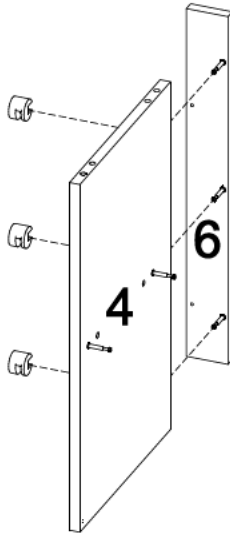
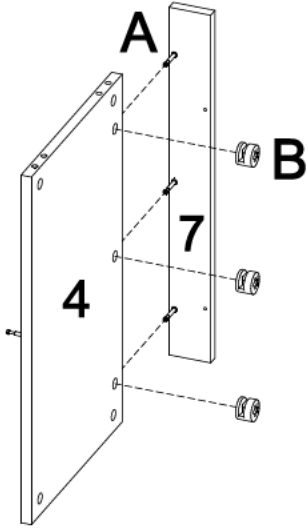
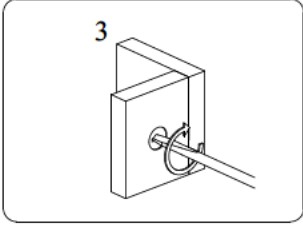
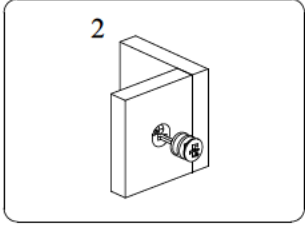
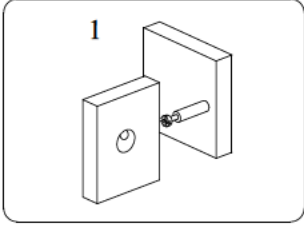
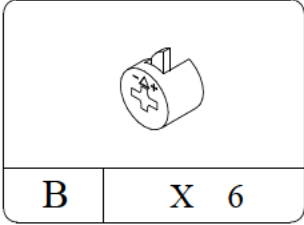
STEP 1:

Screw bolts (A) to panels (1)+(2)+(3)+(4)+(6)+(7)+(9)+(11).



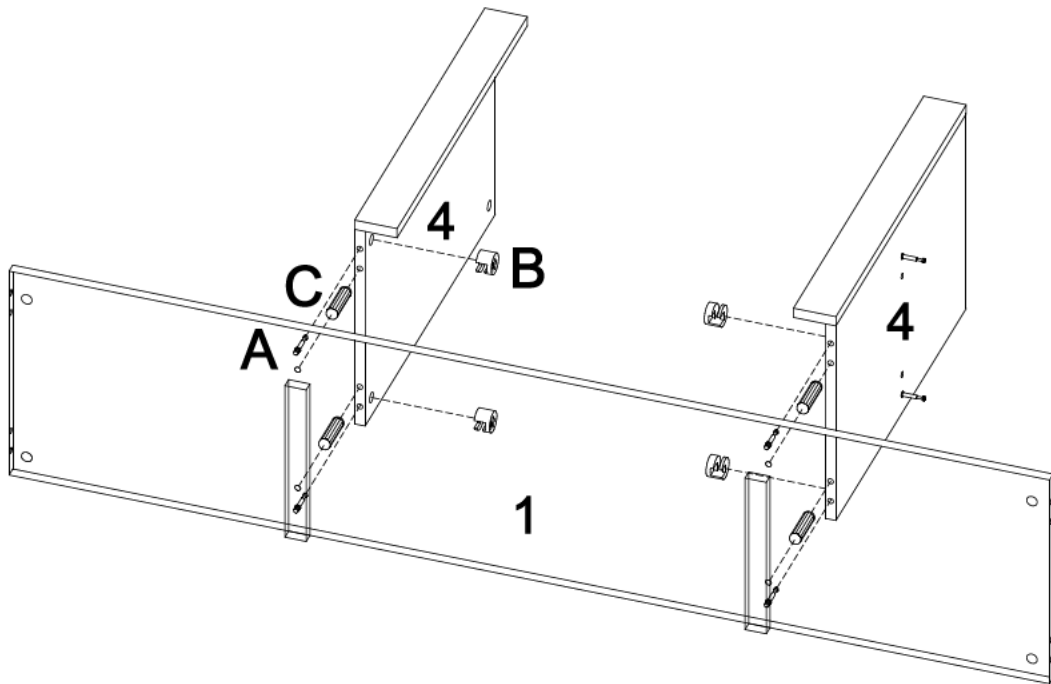
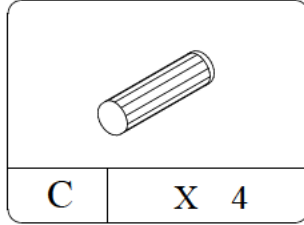
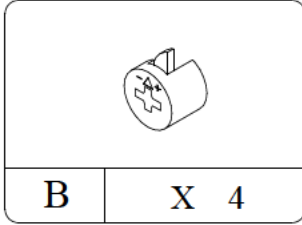
STEP 2:

Join panels (6)(7) to panels (4) by inserting bolts (A). Lock them by inserting and securing excenter fittings (B).



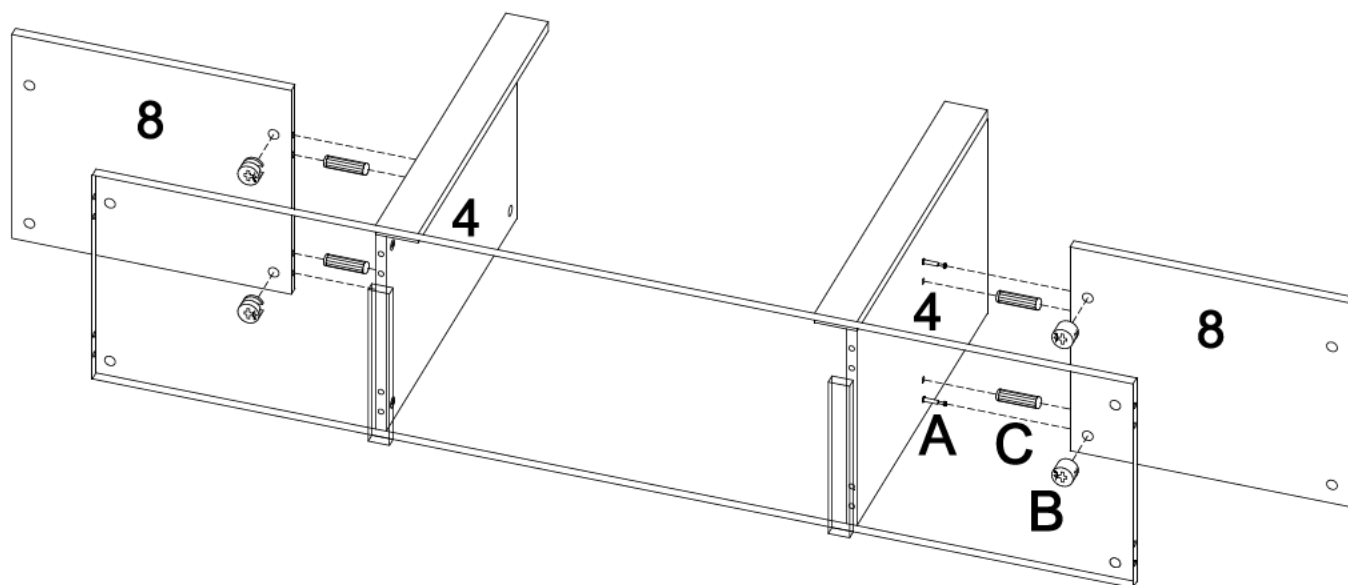
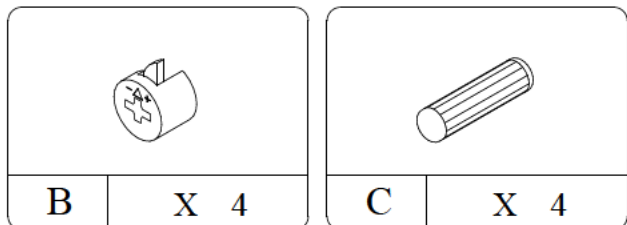
STEP 3:

Join the panel (1) by inserting bolts (A) and dowels (C). Lock it by inserting and securing excenter fittings (B).



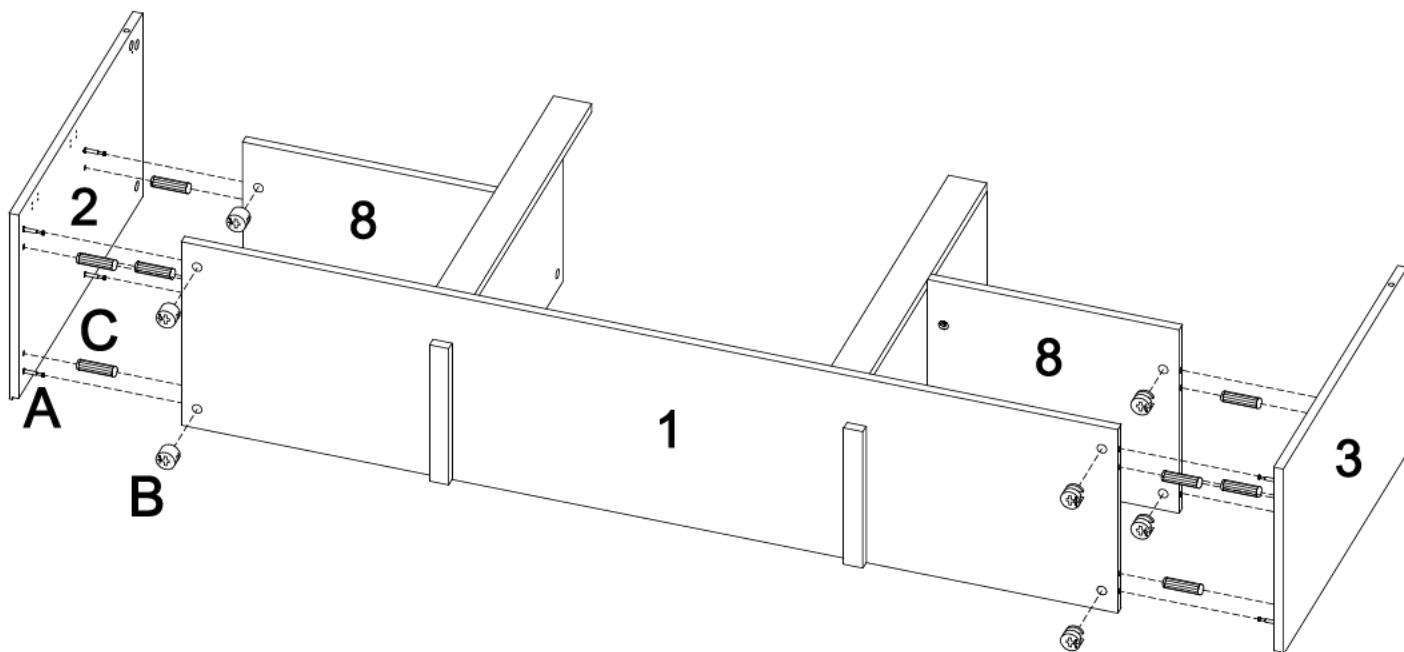
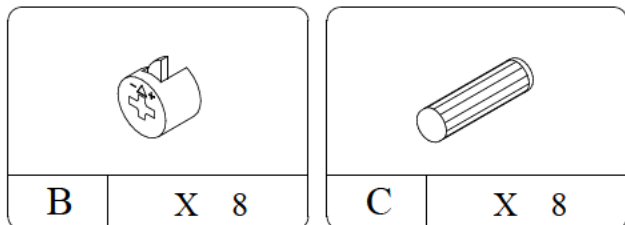
STEP 4:

Join panels (8) by inserting bolts (A) and dowels (C). Lock them by inserting and securing excenter fittings (B).



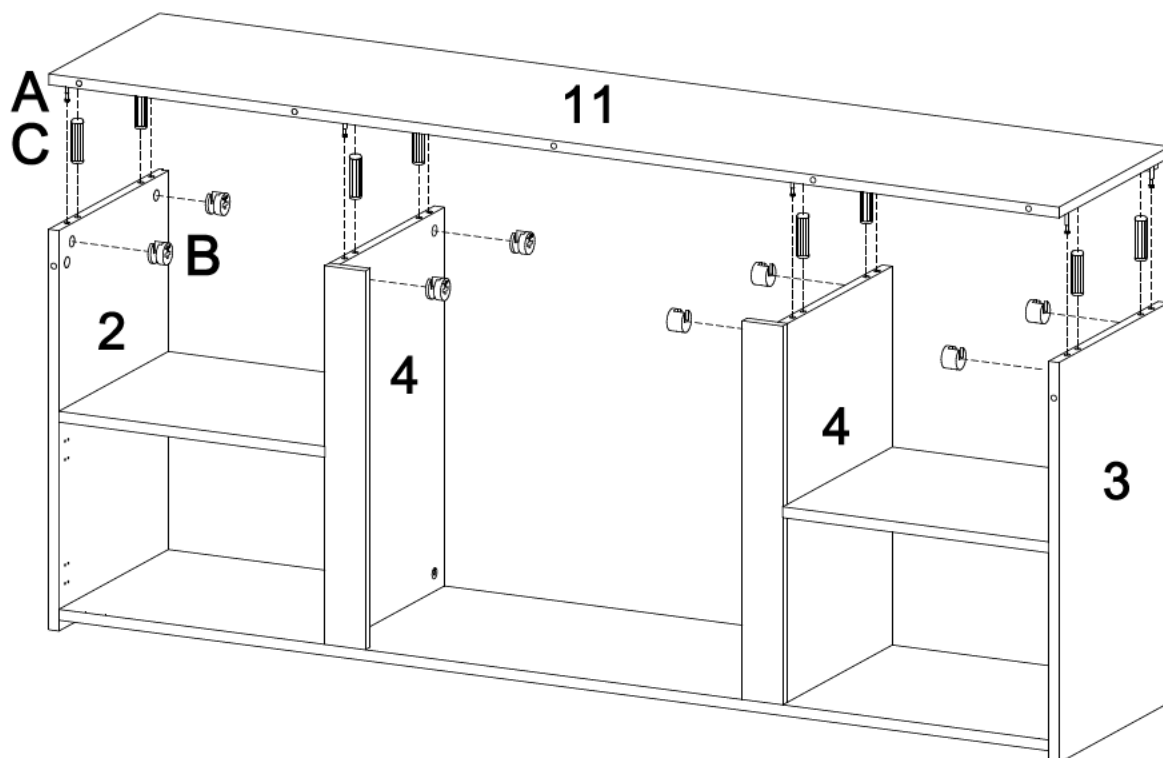
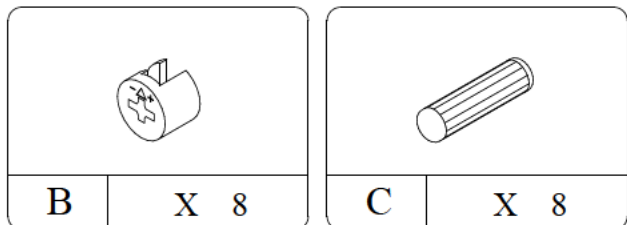
STEP 5:

Join panels (2)+(3) by inserting bolts (A) and dowels (C). Lock them by inserting and securing excenter fittings (B).



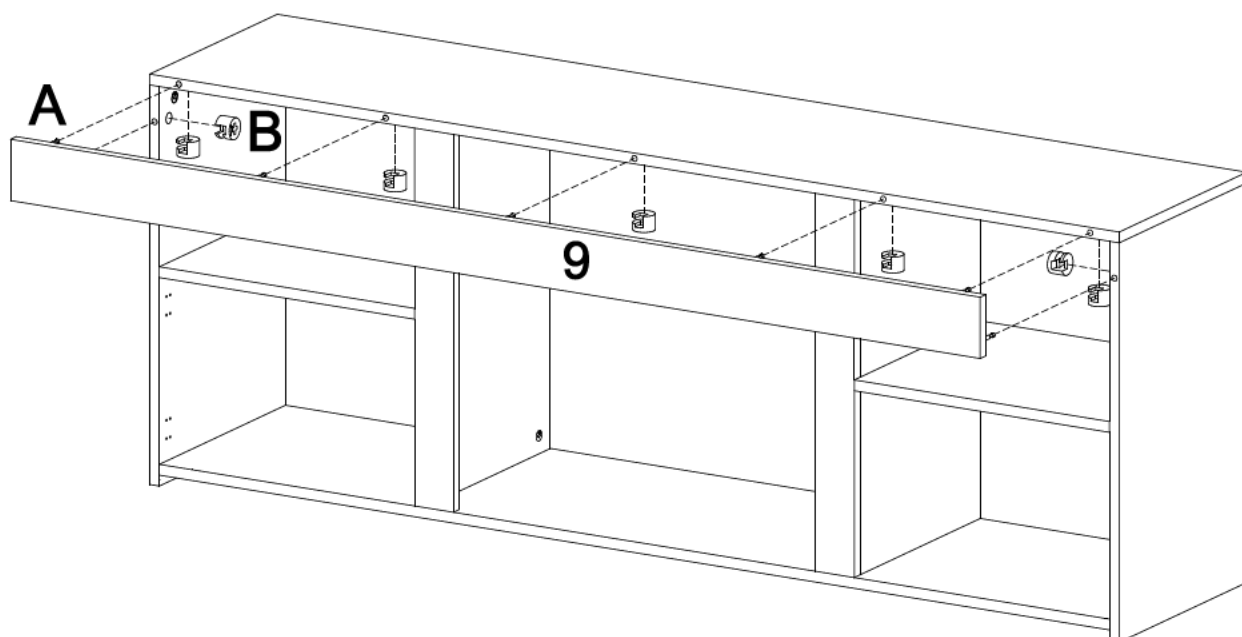
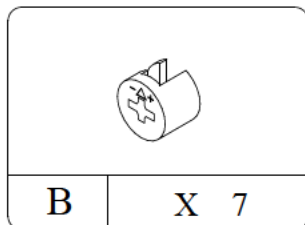
STEP 6:

Join the panel (11) by inserting bolts (A) and dowels (C). Lock it by inserting and securing excenter fittings (B).



STEP 7:

Join the panel (9) by inserting bolts (A). Lock it by inserting and securing excenter fittings (B).



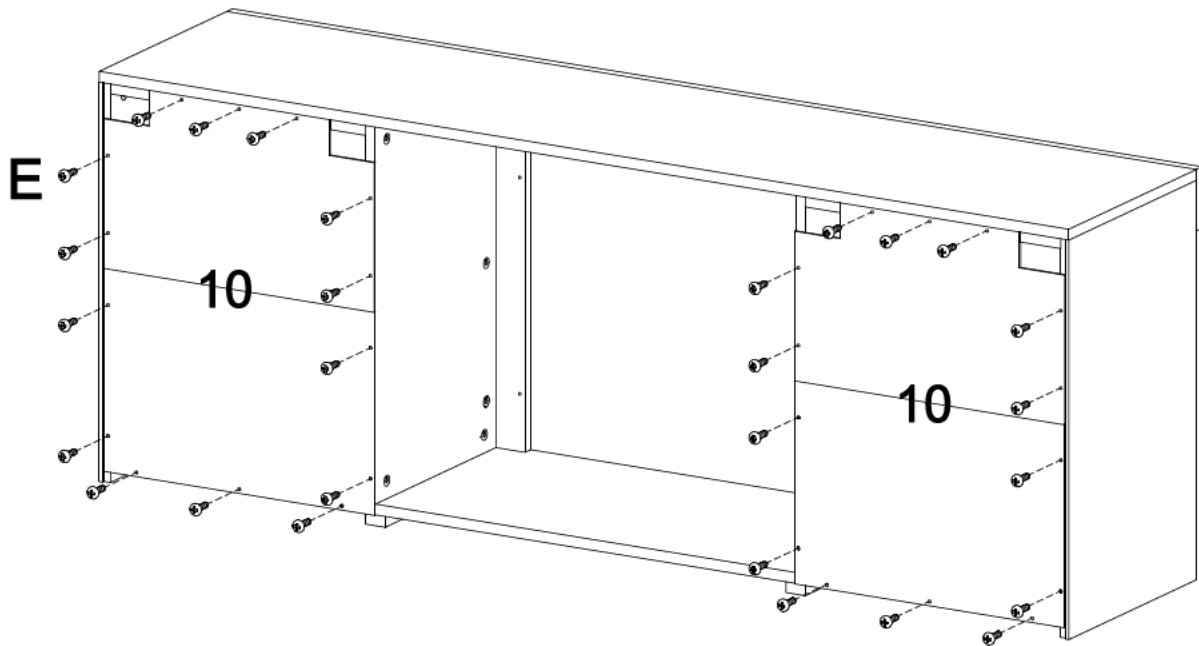
STEP 8:

Join panels (10) by securing screws (E).



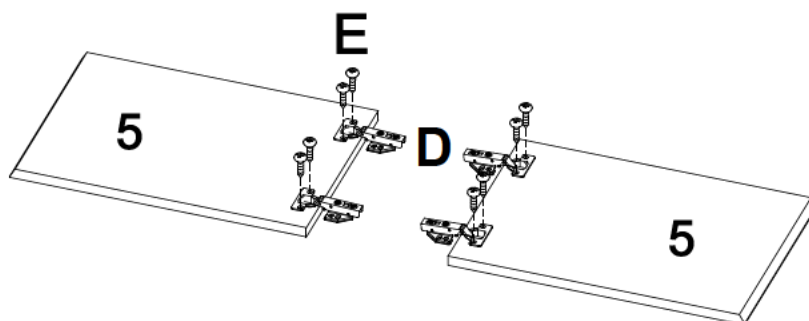
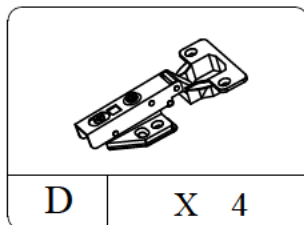
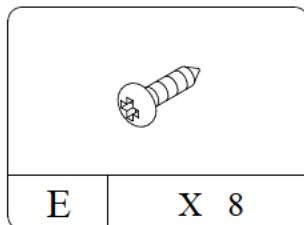
E

X 28



STEP 9:

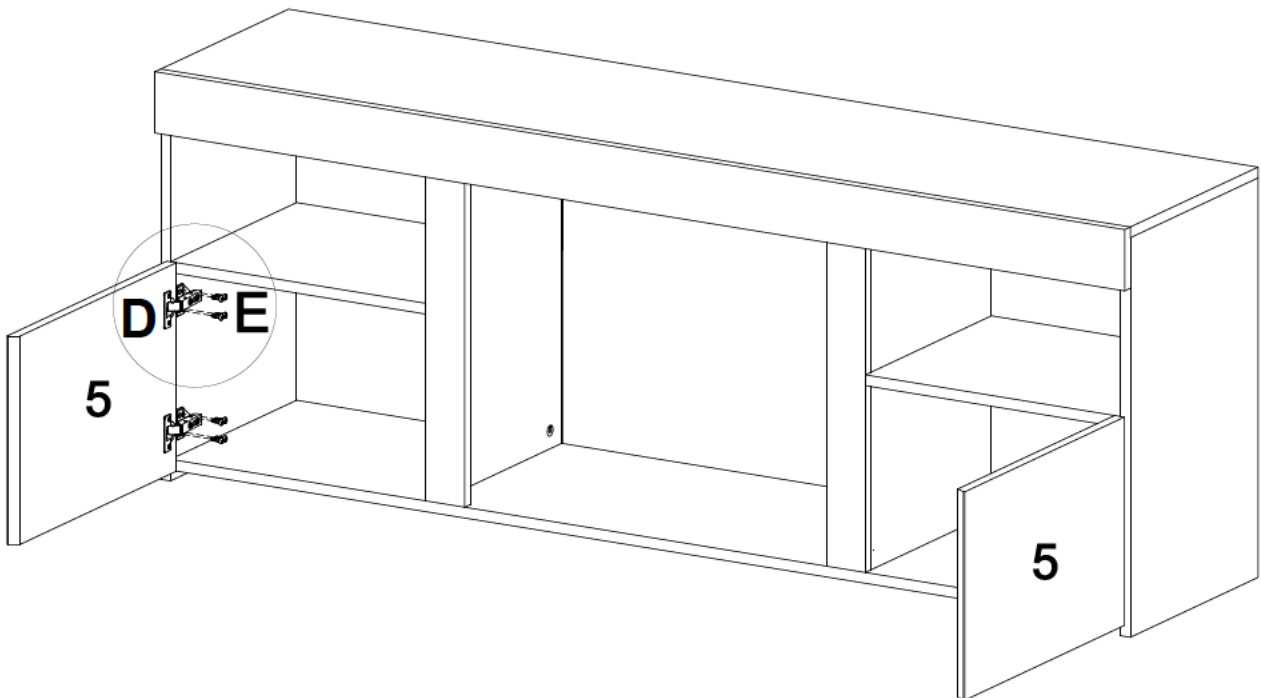
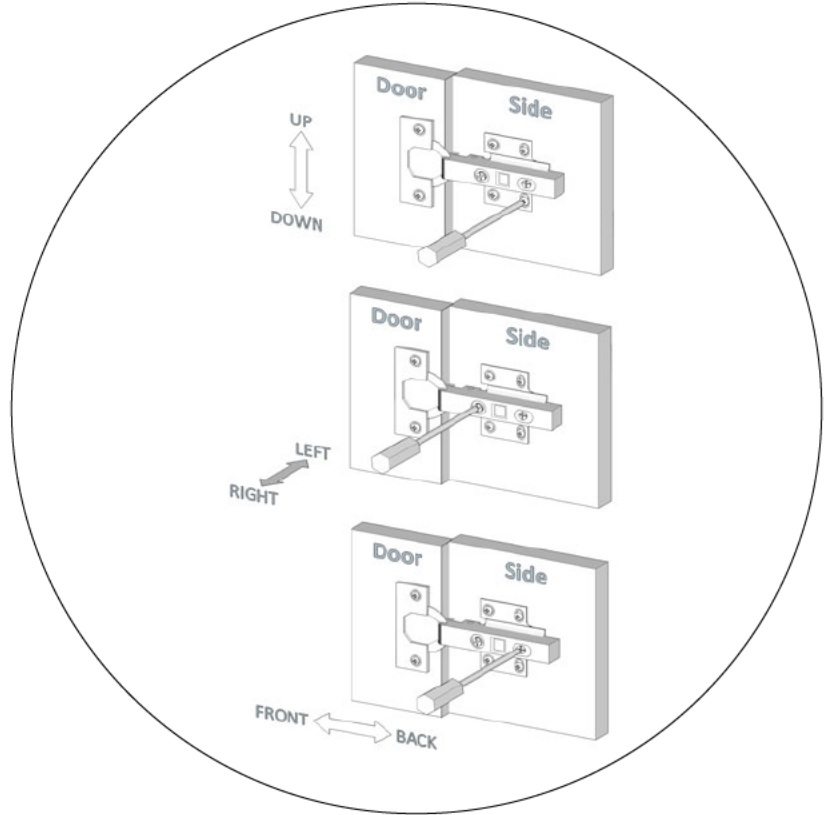
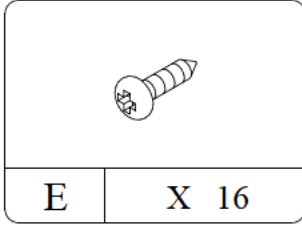
Attach hinges (D) to doors (5) by securing screws (E).



STEP 10:

Join doors (5) by securing screws (E) through hinges (D).

Adjust the doors' position by loosening, moving, and tightening the hinges.



STEP 11:

Install the firebox by securing screws (F).

