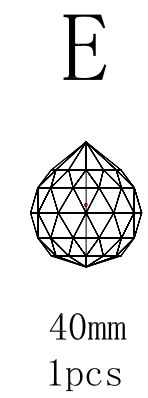
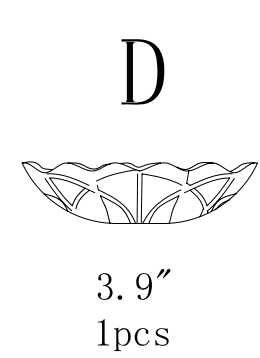
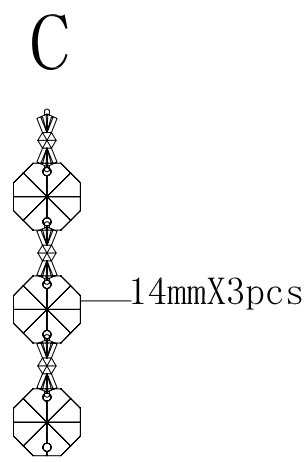
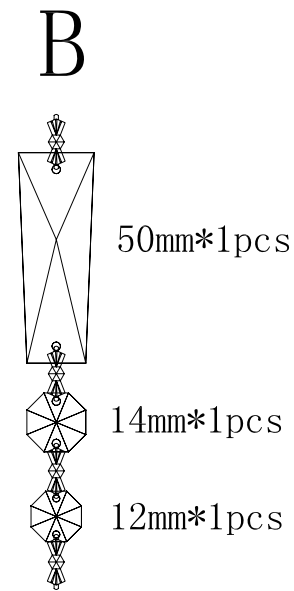
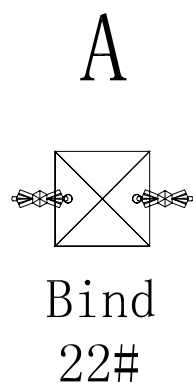
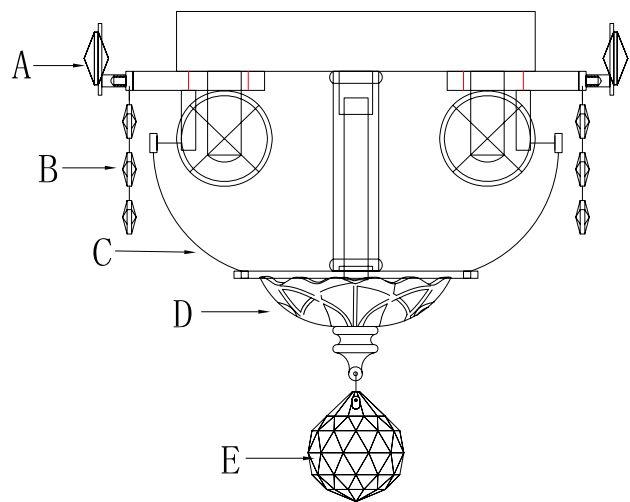


Crystal Equipped

D8" H7" L2

No	Quantity
A	24strings
B	30strings
C	28strings
D	1strings
E	1strings



WARNING! RISK OF FIRE OR ELECTRICAL SHOCK. THIS PRODUCT MUST BE INSTALLED BY A QUALIFIED ELECTRICIAN ONLY