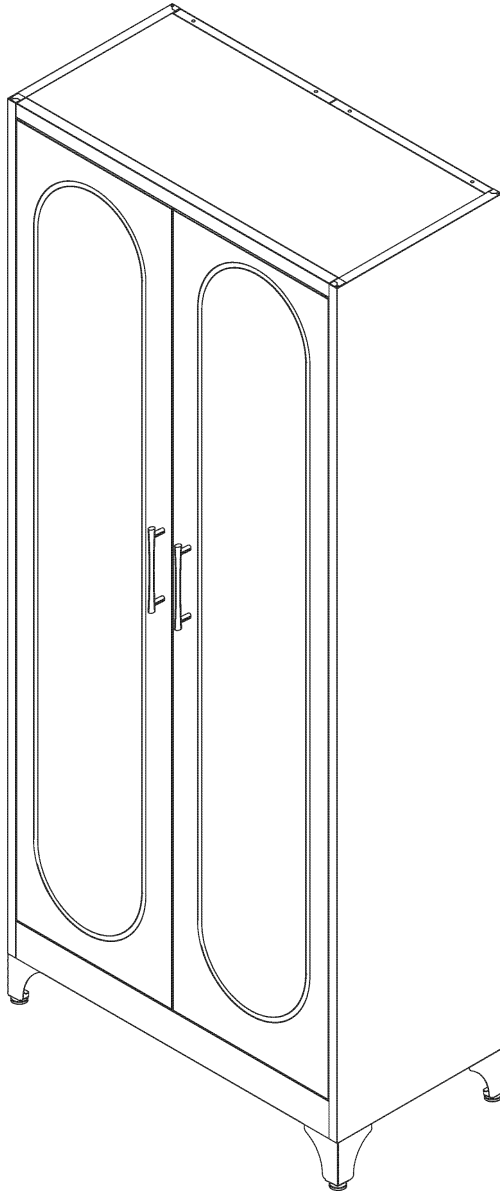


# STORAGE CABINET USER MANUAL



Please read the user manual carefully or refer to the installation instructions on the product details page. Thank you!

# PRODUCT PARAMETERS

<b>Model</b>	1
<b>Product Size</b>	H1900xW800xD400 mm H75xW32xD16 inch
<b>Loading Capacity Per Layer</b>	180lbs/81.6kg (weight must be distributed evenly)
<b>N.W.</b>	73.0lbs/33.0kg
<b>G.W.</b>	82.9lbs/37.6kg



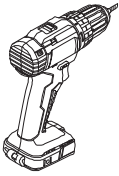
## WARNING:

Read this material before using this product. Failure to do so can result in serious injury. SAVE THIS MANUAL

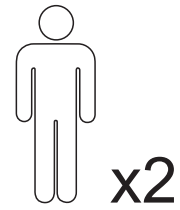
## ASSEMBLY PRECAUTIONS

1. Assemble needs to follow these instructions. Incorrect assembly can be a hazard.
2. Wear safety goggles and heavy-duty work gloves during assembly.
3. When drilling the screws, it is recommended to choose **electric screwdriver**.
4. Do not assemble when tired or when under the influence of alcohol, drugs or medication.
5. Weight capacity and other product capabilities apply to a properly and completely assembled product only.
6. Keep the assembly area clean and well-lit.
7. Keep bystanders out of the area during assembly.
8. Assemble on a flat, level, hard and smooth surface.

## Tips

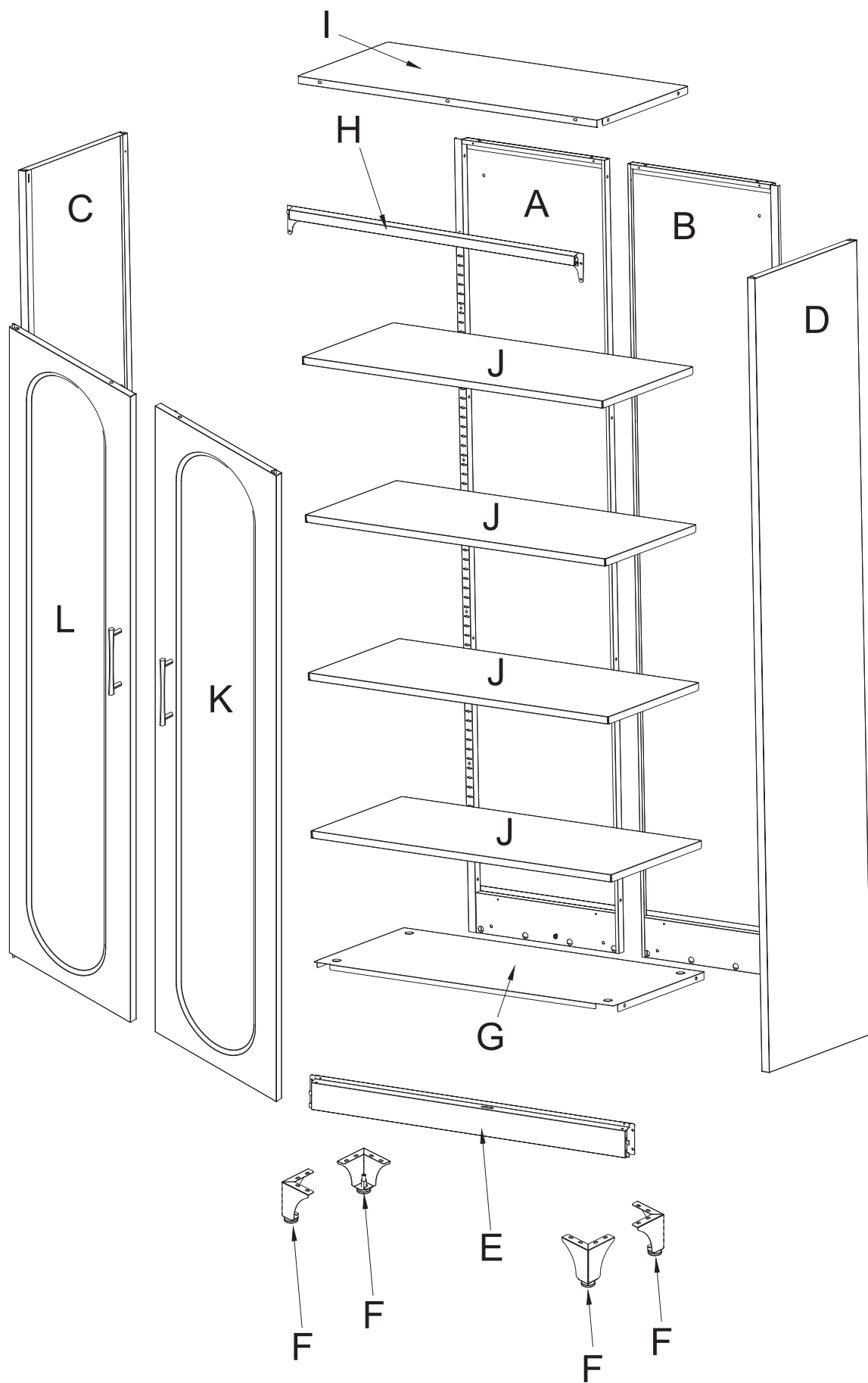


Using an electric screwdriver makes the install process easier and faster.



This is the original instruction.

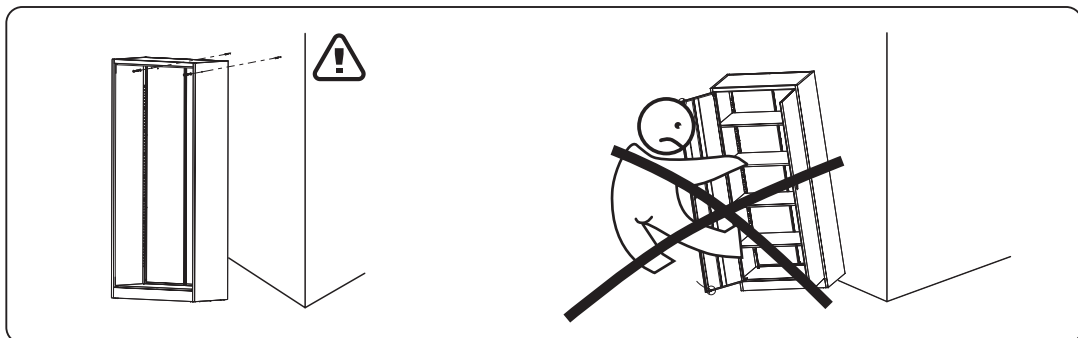
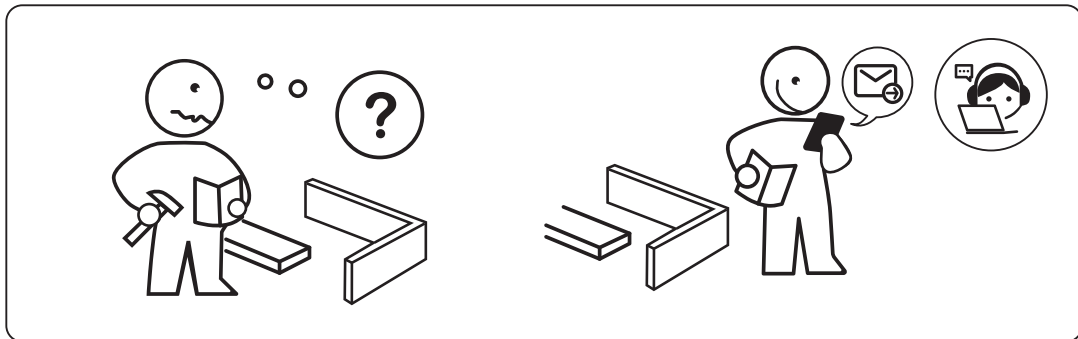
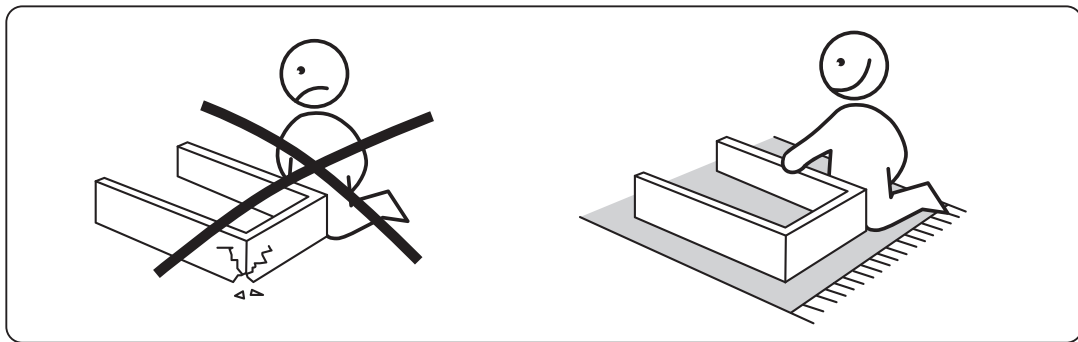
The appearance of the product shall be subject to the product you received. Please forgive us that we won't inform you again if there are any technology or software updates on our product.



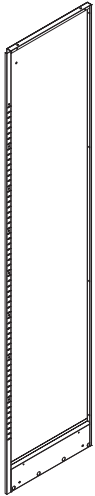
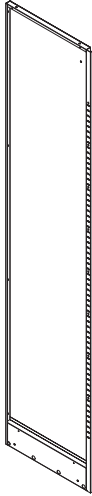
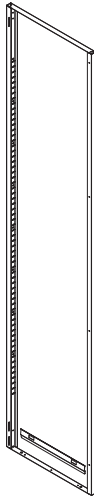
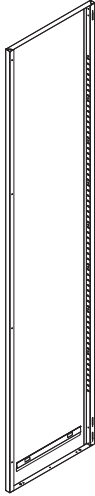

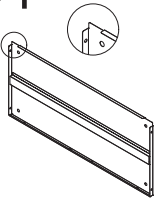

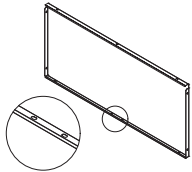
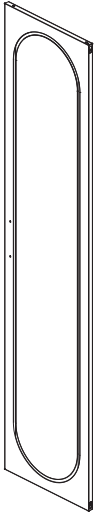
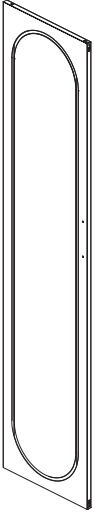
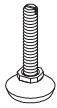


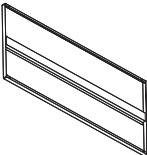
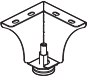
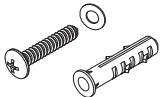

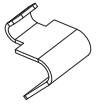
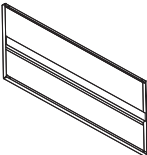
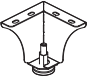



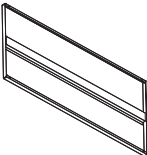
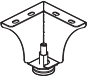

# USE PRECAUTIONS

**⚠ WARNING: TO PREVENT SERIOUS INJURY AND DEATH FROM TIPPING:**

1. This product is not a toy. Do not allow children to play with or approach this item.
2. Use as intended only. Do not sit or stand on the product.
3. Inspect before every use. Do not use it if parts are loose or damaged.
4. Use on flat, level, and hard surfaces only.
5. Do not exceed the listed weight capacity. Tighten all knobs securely before applying load. Be aware of dynamic loading! The sudden load movement may briefly create an excess load, causing product failure.



# PARTS LIST

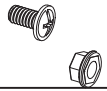
<p>A×1</p> 	<p>B×1</p> 	<p>C×1</p> 	<p>D×1</p> 	
<p>E×1</p> 	<p>G×1</p> 	<p>H×1</p> 	<p>I×1</p> 	
<p>K×1</p> 	<p>L×1</p> 	<p>M×4</p> 	<p>N×2</p> 	<p>O×43</p> 
<p>J×4</p> 	<p>F×4</p> 	<p>P×2</p> 	<p>Q×4</p> 	<p>S×16</p> 
<p>J×4</p> 	<p>F×4</p> 	<p>T×1</p> 	<p>U×4</p> 	<p>V×2</p> 
<p>J×4</p> 	<p>F×4</p> 	<p>Spare Acc</p> 		

# step 1

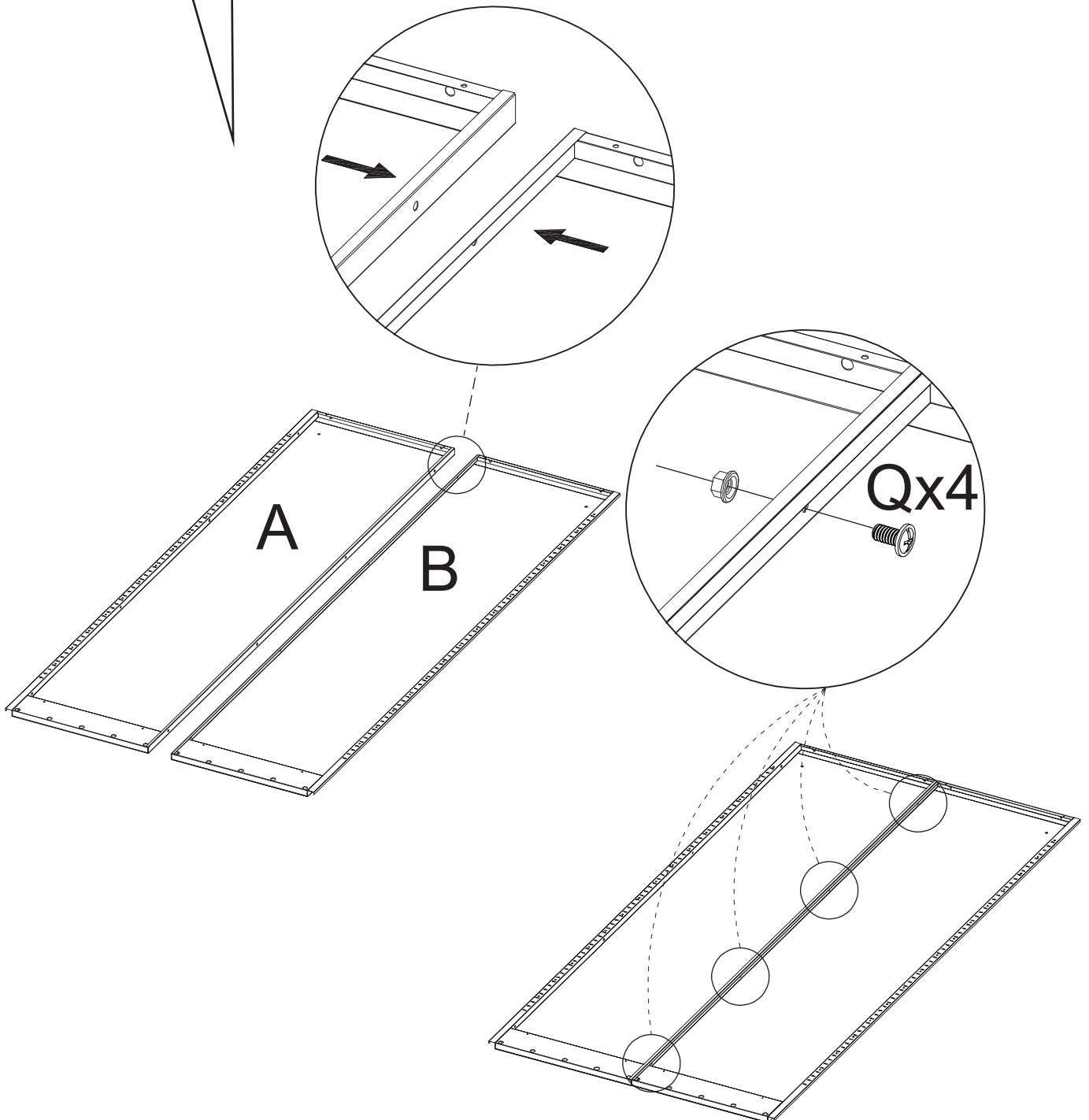
## NOTICE

Two Doors (L&K) are pressed into back panels (A&B), please take them out before assembly.

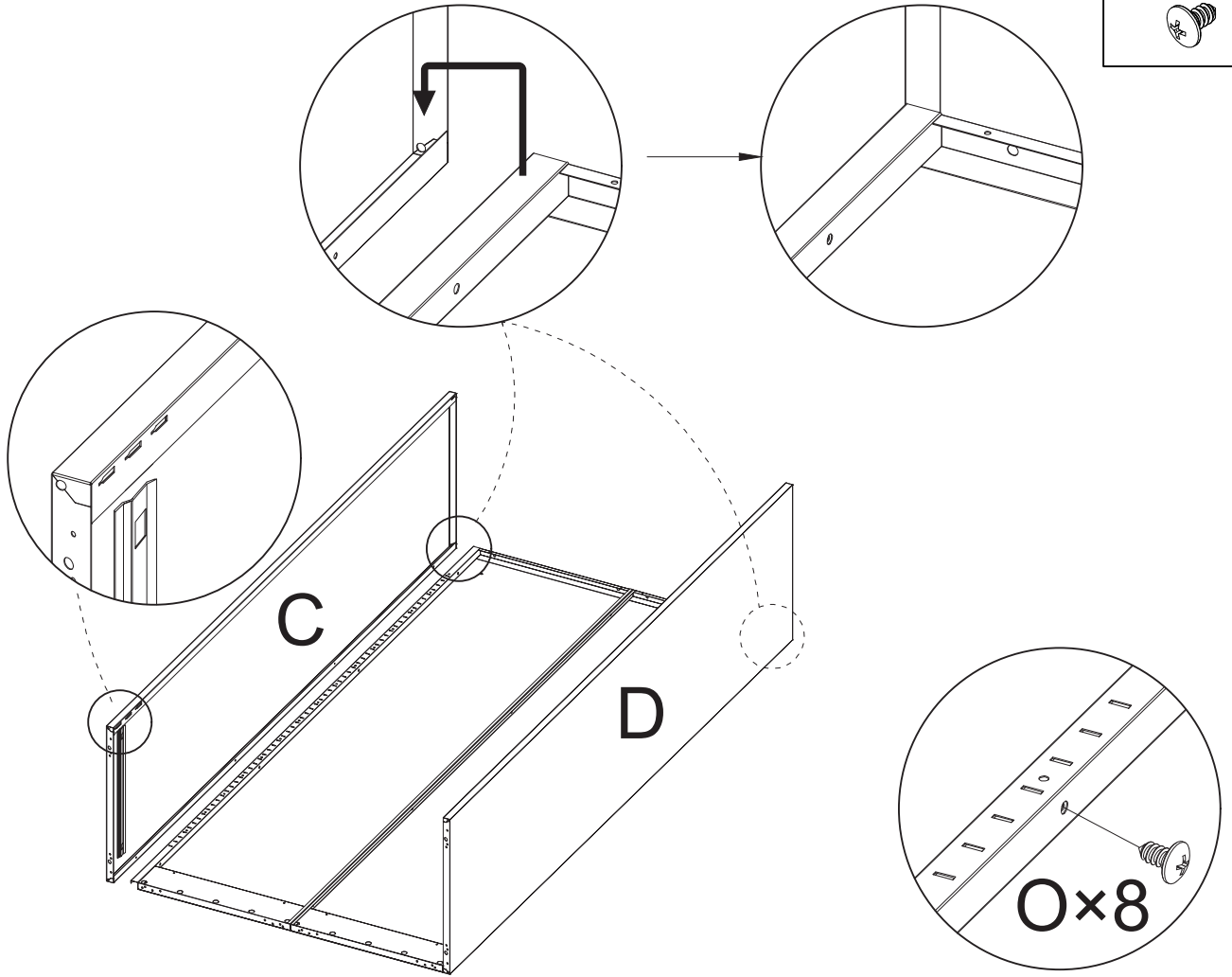
Qx4



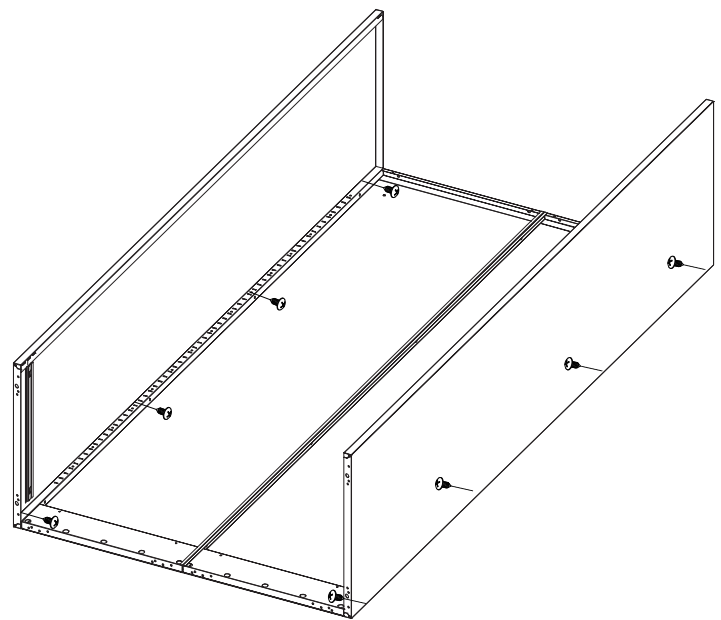
Put part A and part B together by following the figure.  
Then Drill 4 screws Q.



# step 2

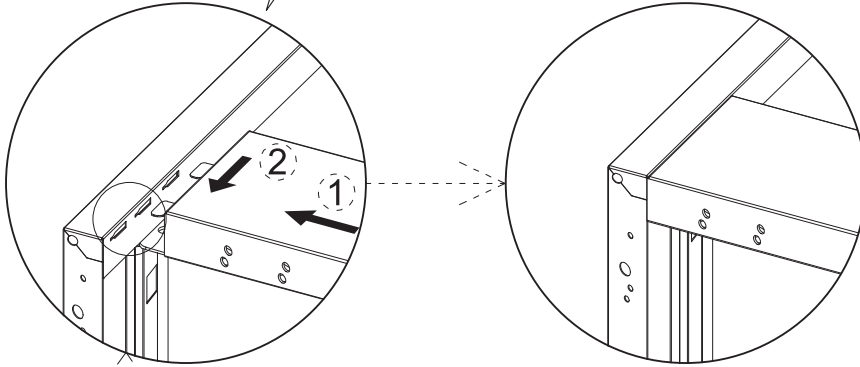


Part C is on the left side and part D is on the right side. If they are misplaced, the next assemble step will fail.

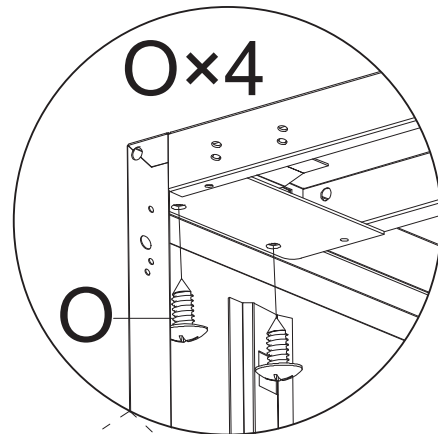
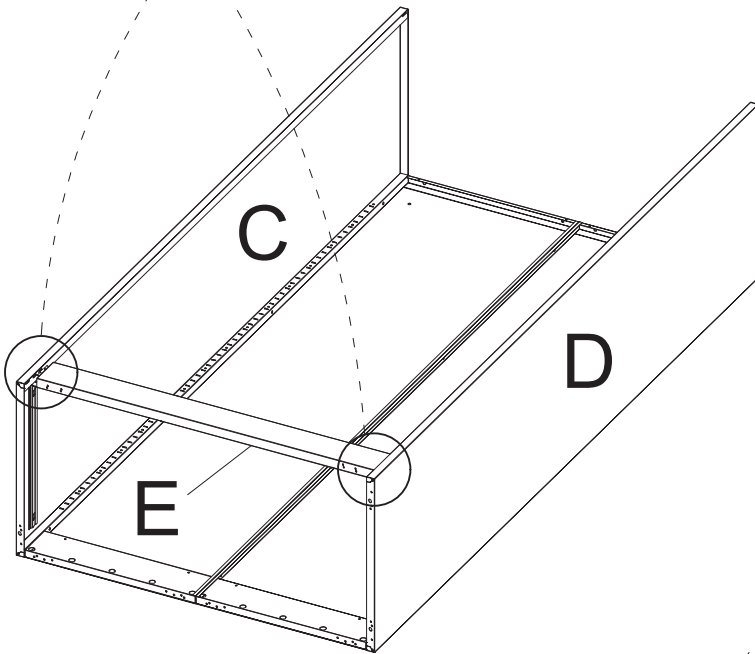


# step 3

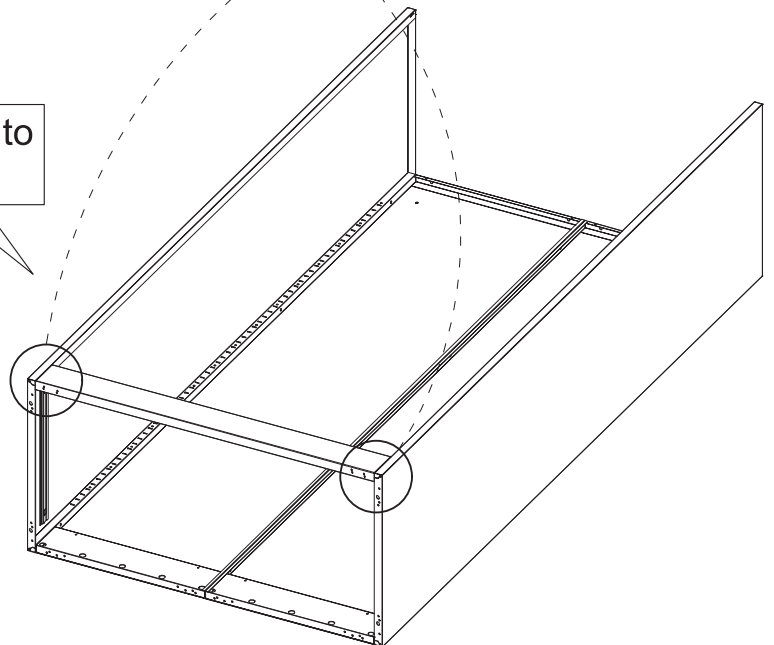
- ① Insert the 2 buckles on either side of panel E into the circled holes in both side panels.
- ② Push it down by following the direction of arrow.



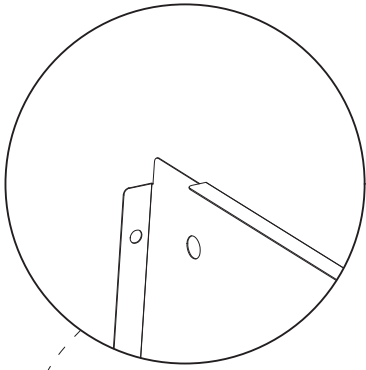
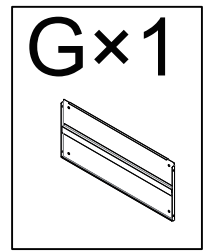
Drill the 4 screws inside.



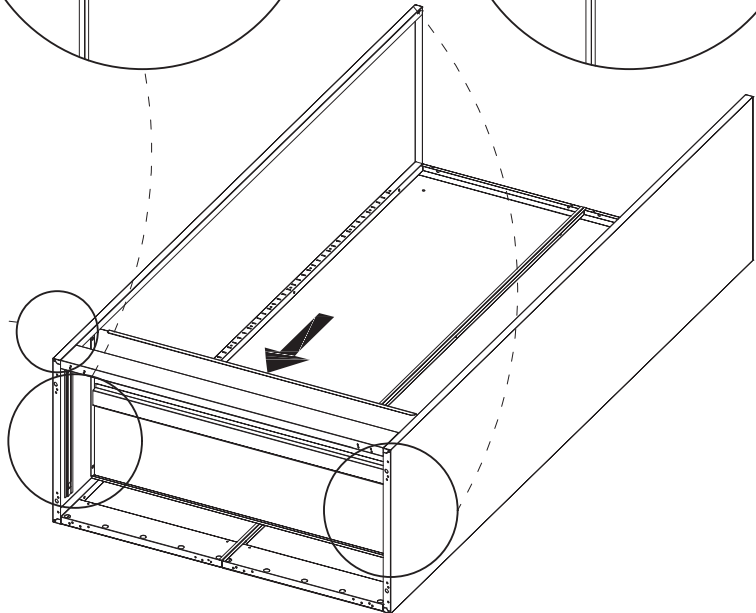
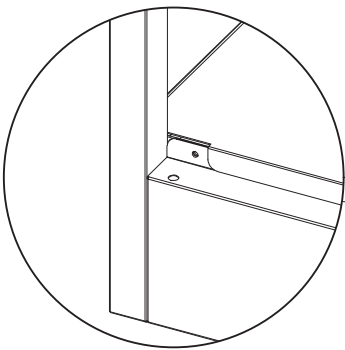
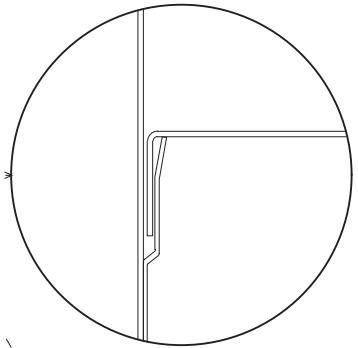
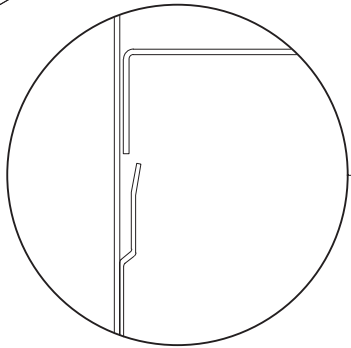
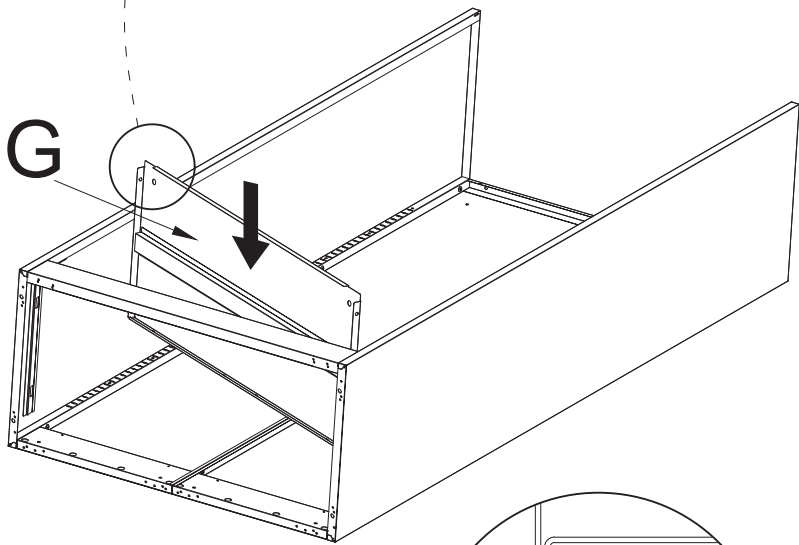
Finally the part E is locked to panel C and D.



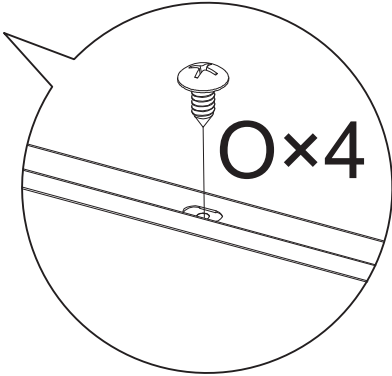
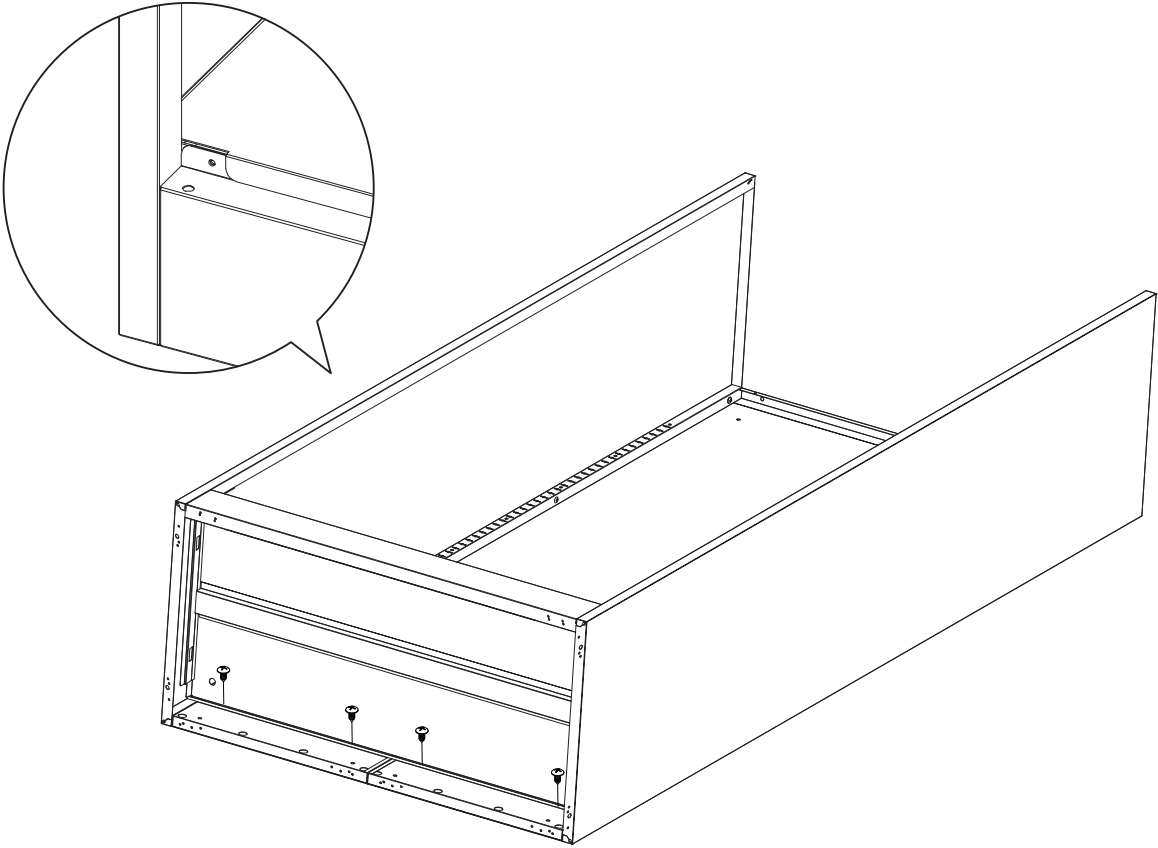
# step 4



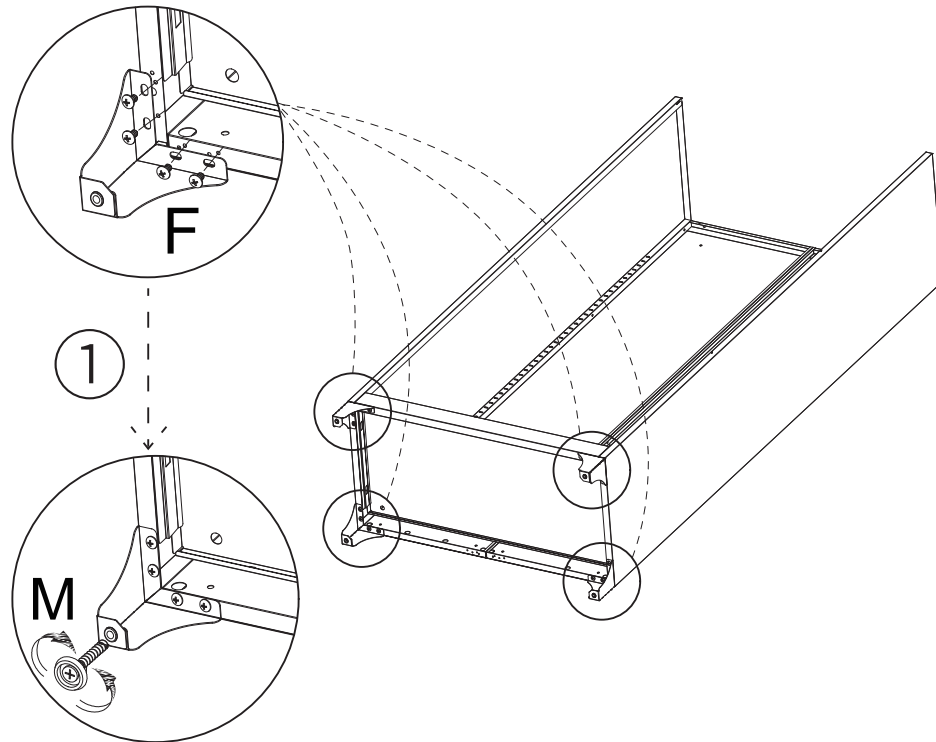
When placing Part G,  
the notched side is  
facing forward.



# step 5

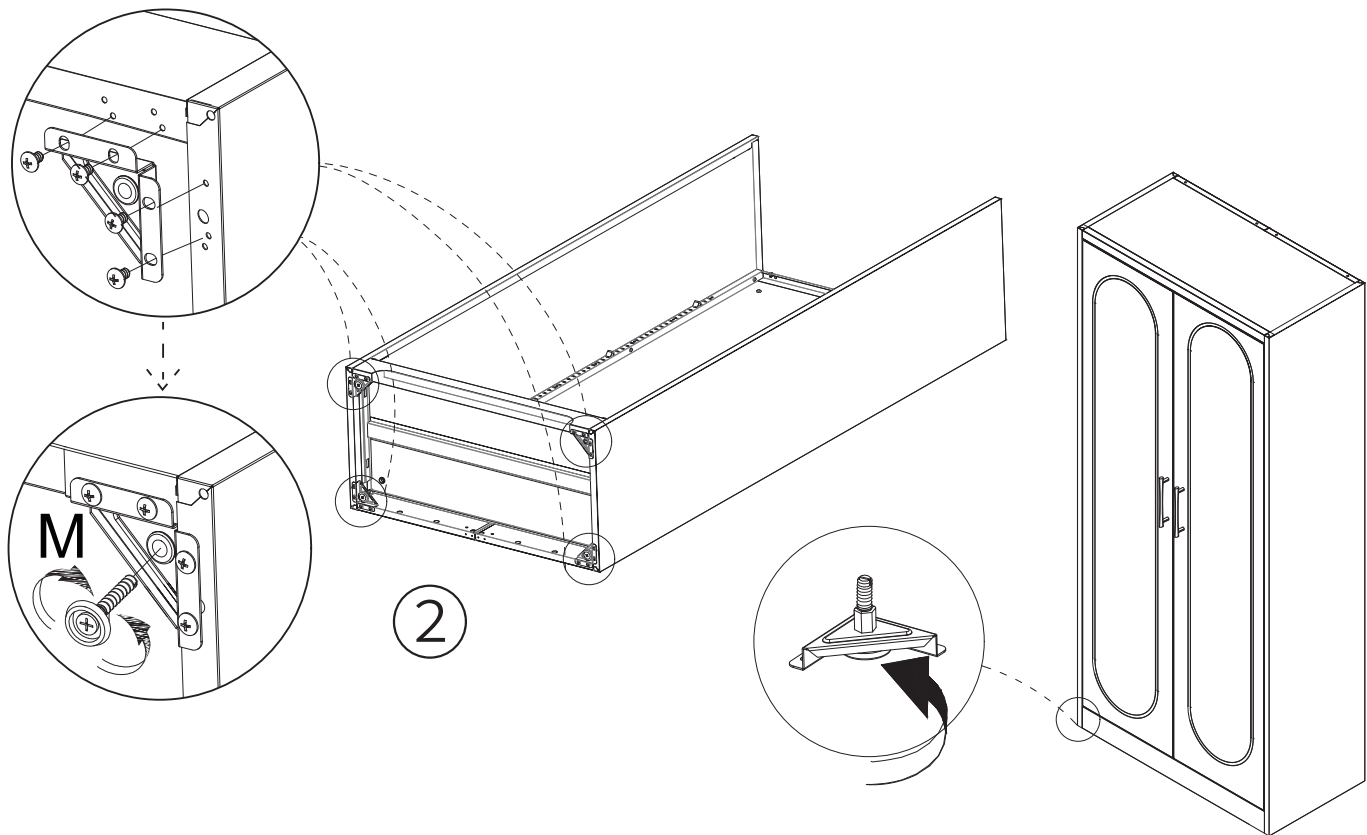


# step 6



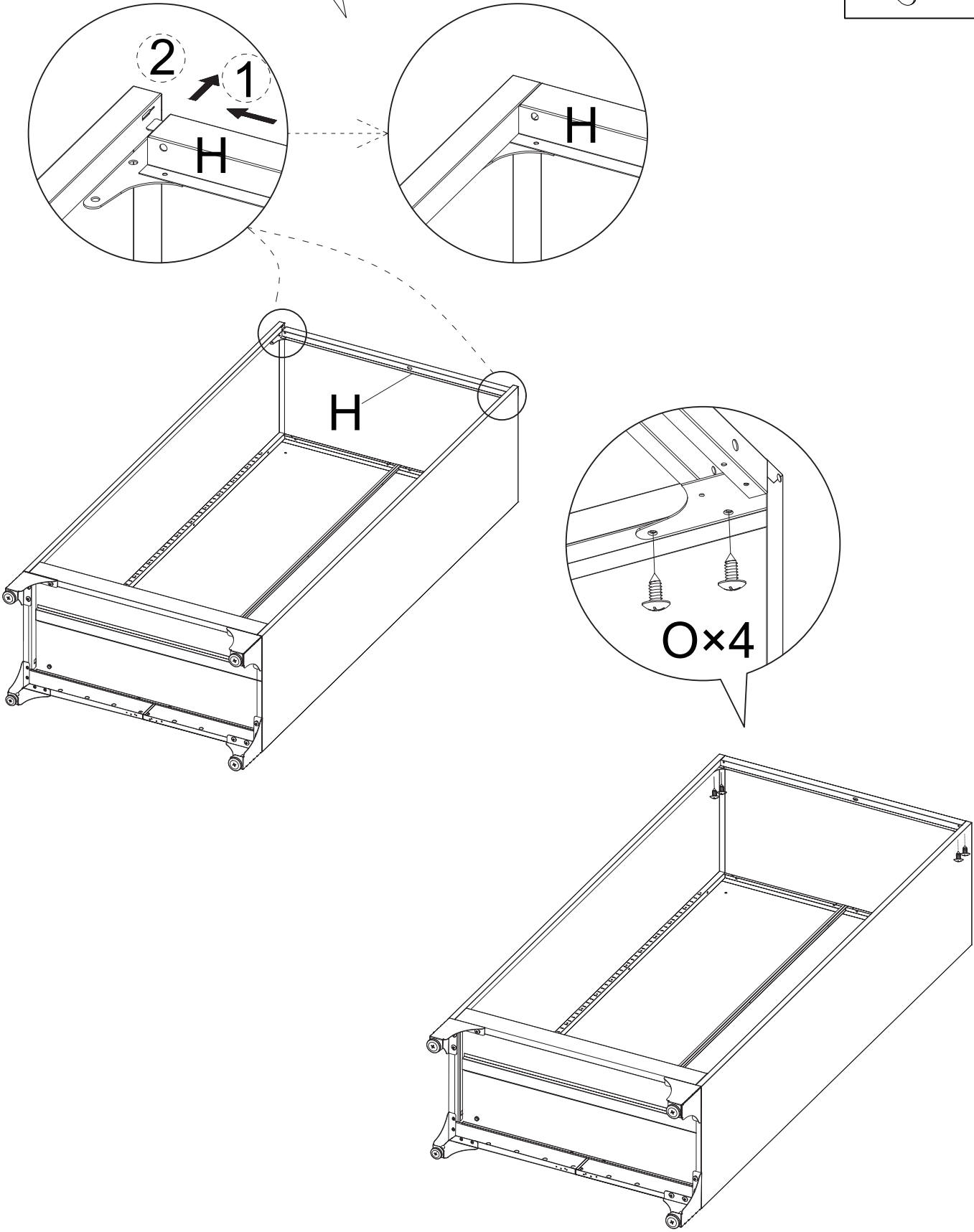
O×16
M×4
F×4

If you choose to install F, please follow ①.  
If you choose to install the Hidden Leveling feet-②, please buy it in our store.

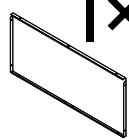




# step 7

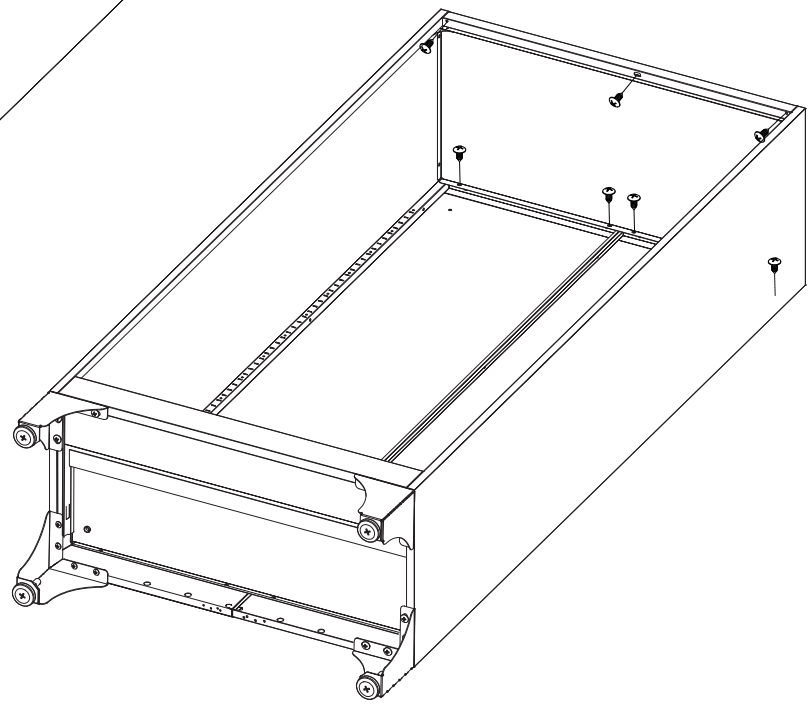
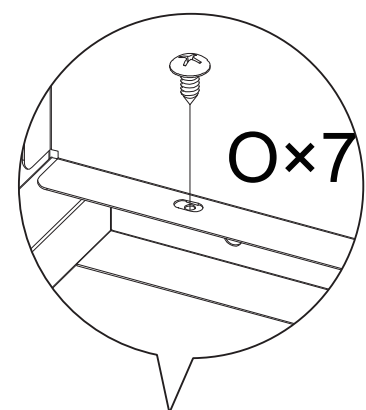
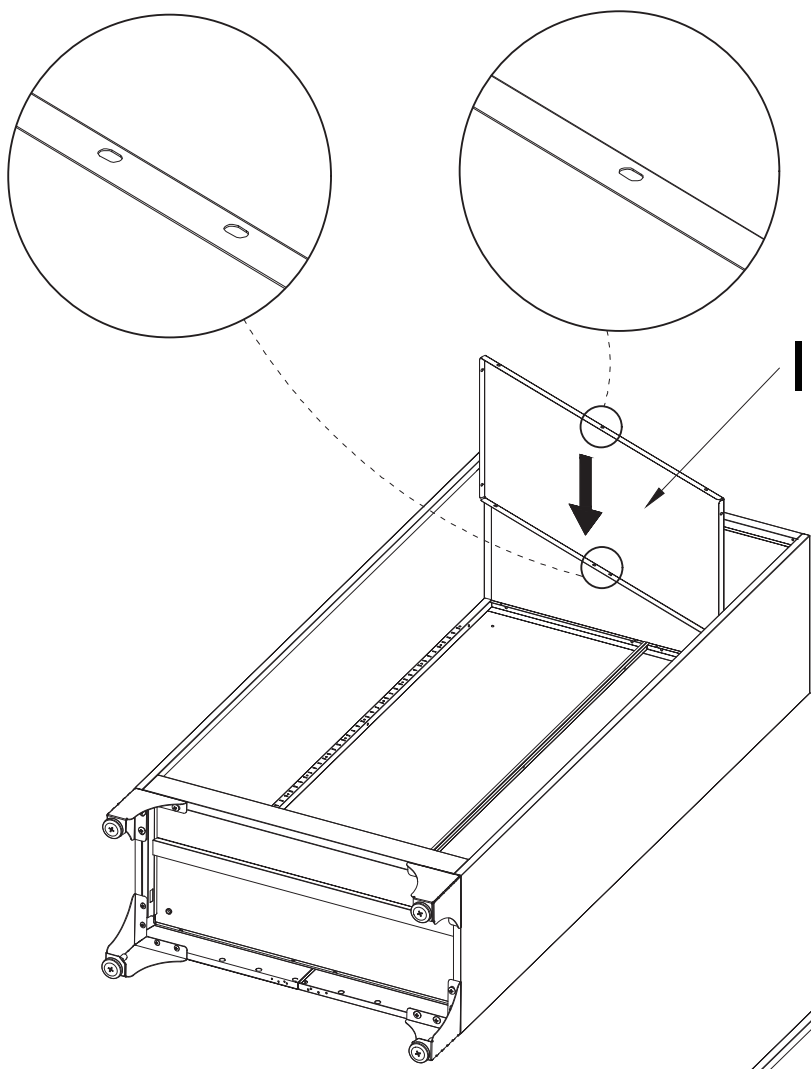
Notice the direction of panel H.



# step 8

 <b>1x1</b>	 <b>Ox7</b>
--	--

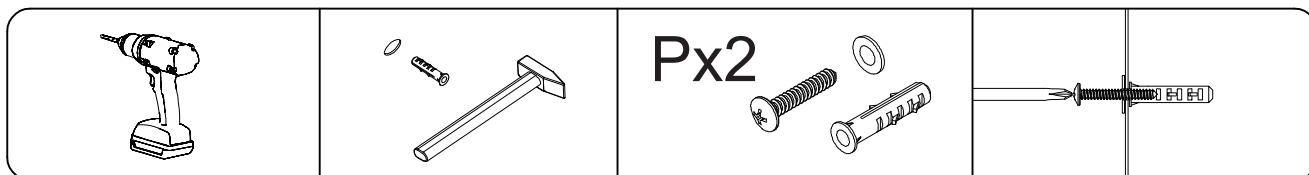
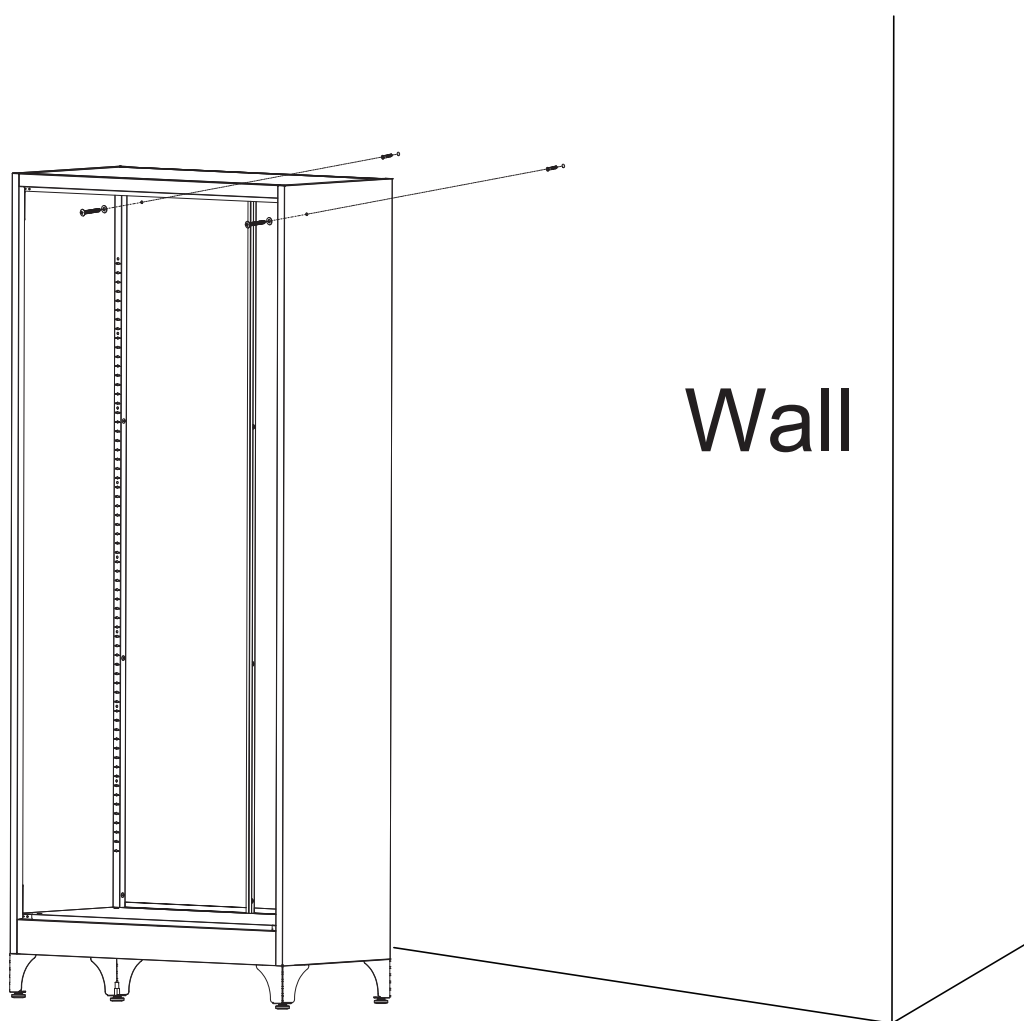
 Notice the direction of part I.

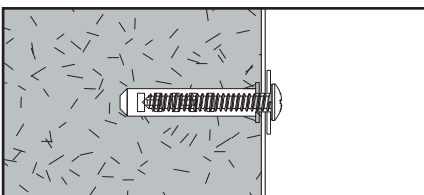
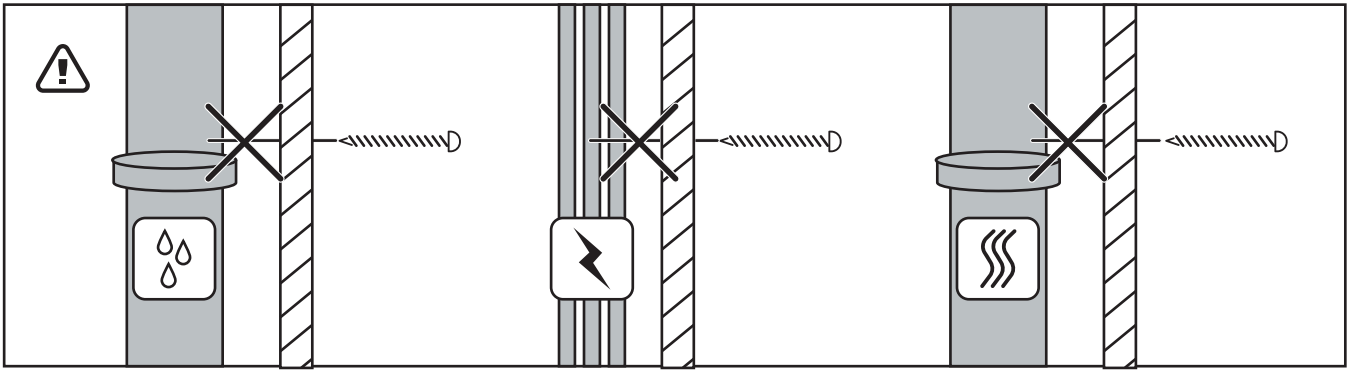


# step 9

## **WARNING**

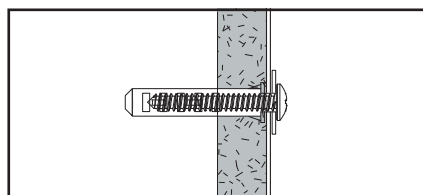
Serious or fatal crushing injuries can occur from the tip-over. To prevent this cabinet from tipping over, it must be Permanently fixed to the wall with the included wall attachment device provided. Assess the suitability of the wall to ensure that it will withstand the forces generated. If you are uncertain, seek professional advice.





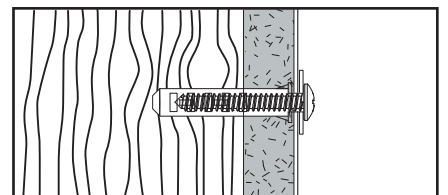
Ø8mm  
(5/16")

- 1
- 2   
≈70mm
- 3



Ø8mm  
(5/16")

- 1
- 2   
≈30mm
- 3

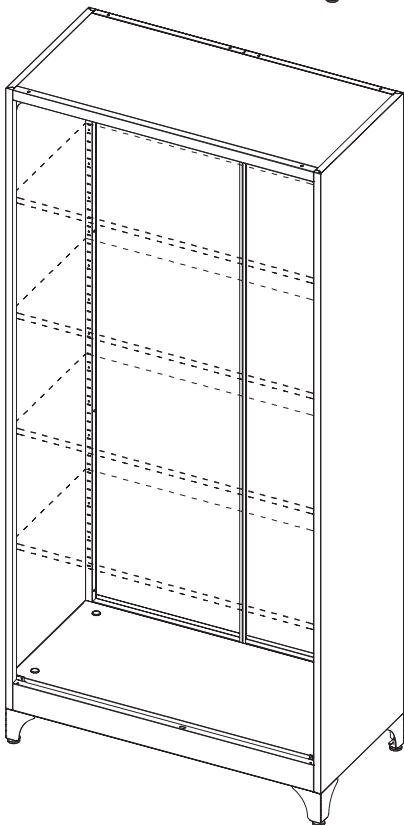
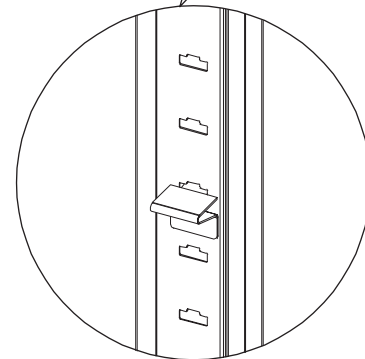
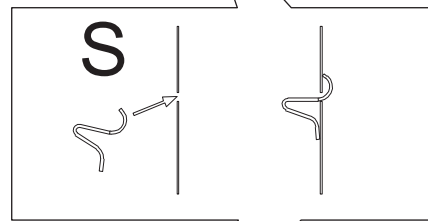
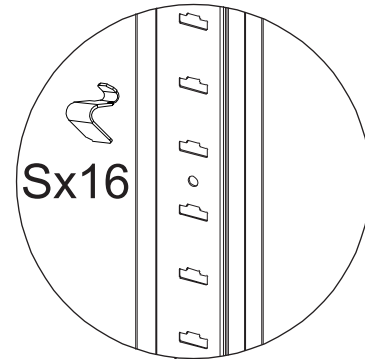
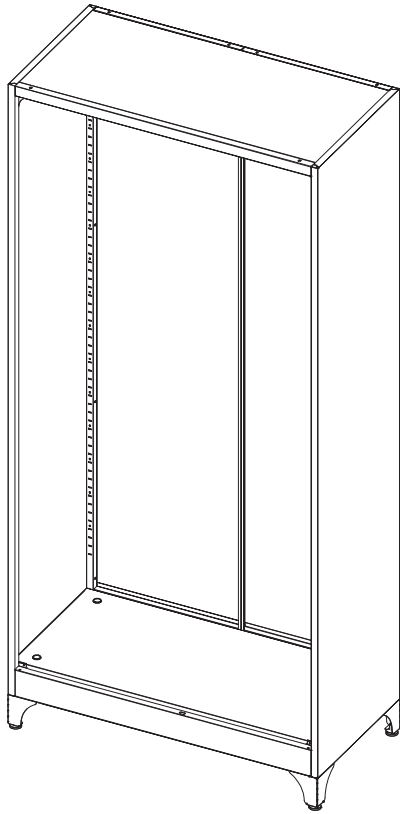
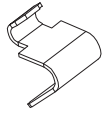


Ø3mm  
(1/8")

- 1
- 2   
≈30mm
- 3

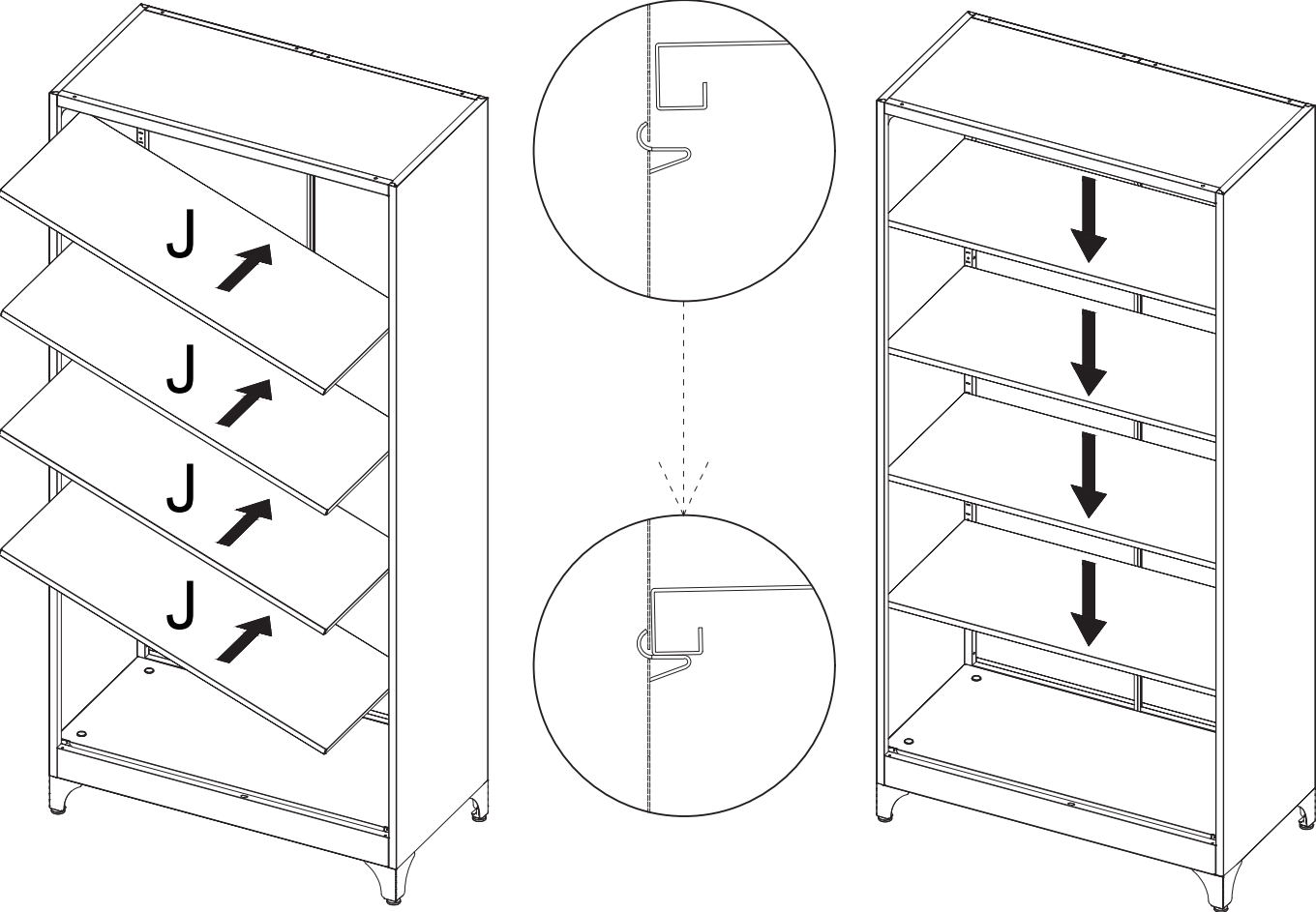
# step 10

Sx16

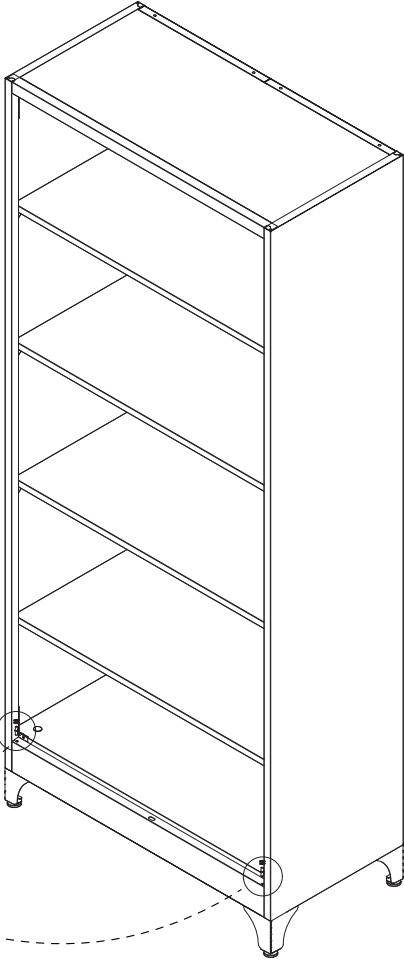
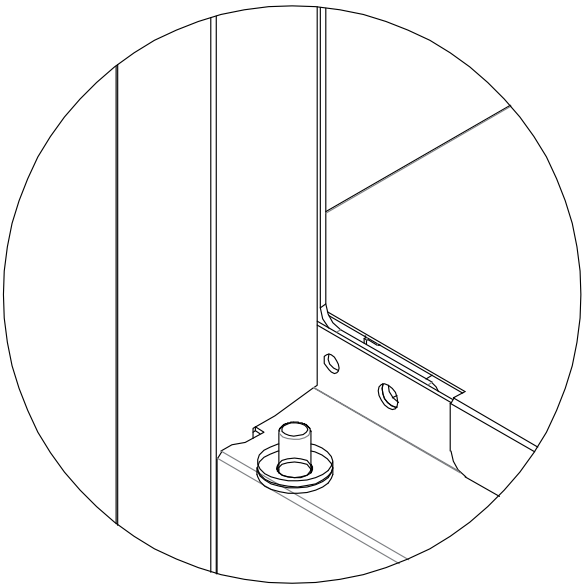
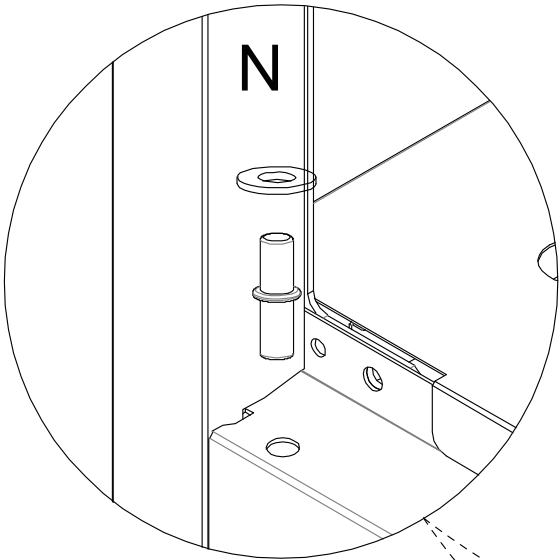


Put 4 support clips S in the four corners of the cabinet. 4 clips must at the same level.

# step 11



# step 12

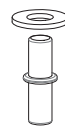


# step 13

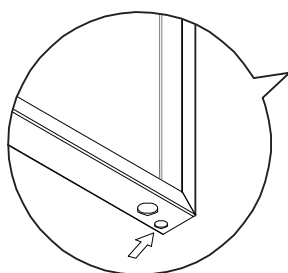
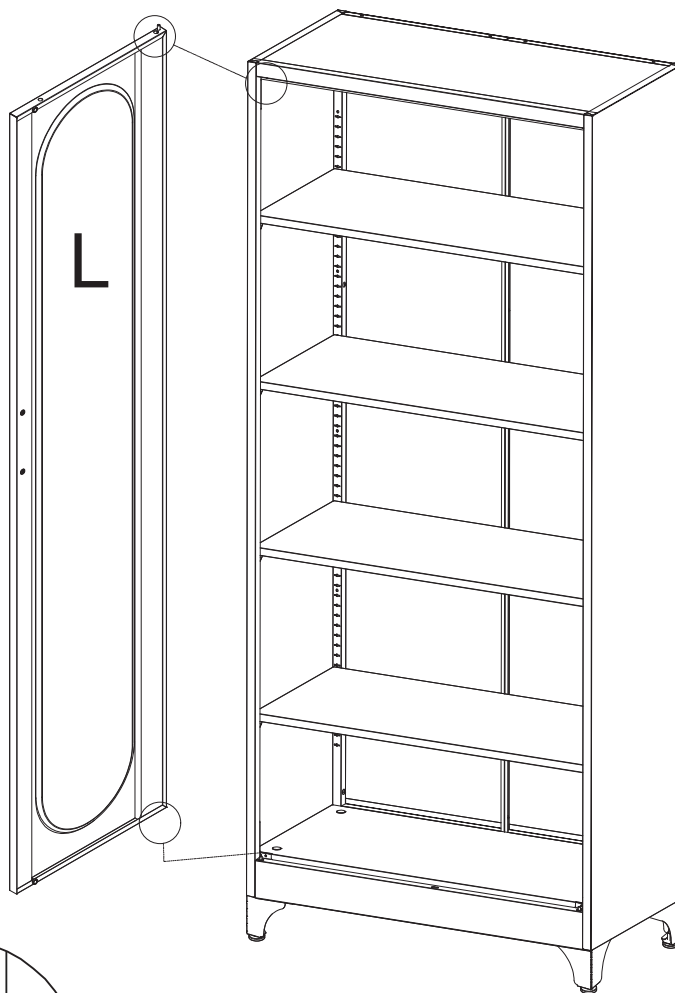
## ! NOTICE

If the spring shaft missed from the door, you can find the spare part in the hardware bag. Insert the crooked part to the hole. Need help? Contact our customer service via email on page 3.

Nx2

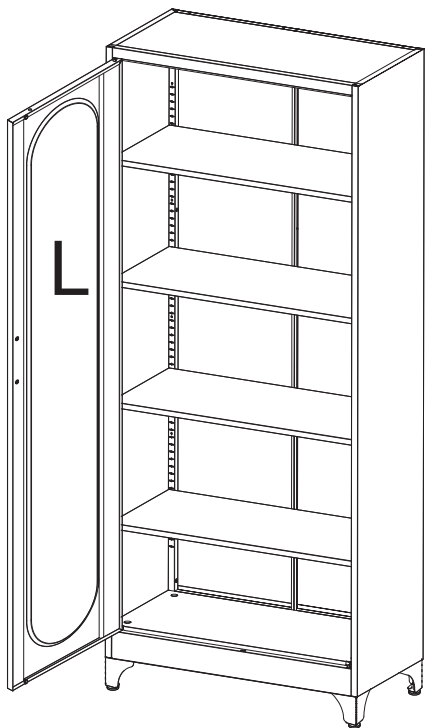


Lx1

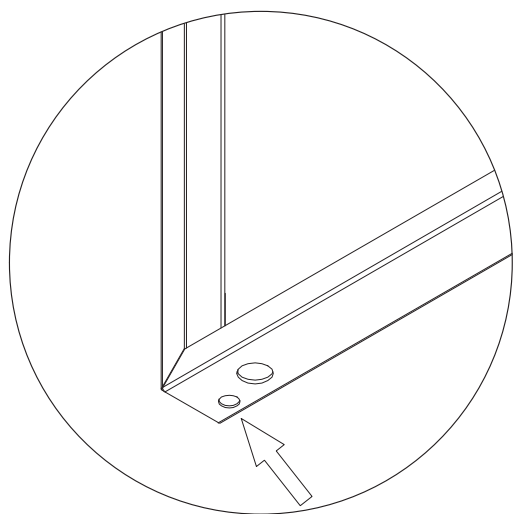
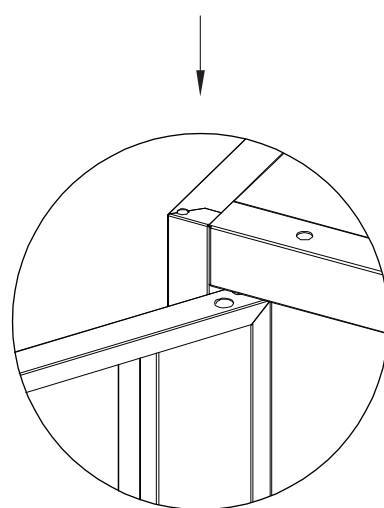
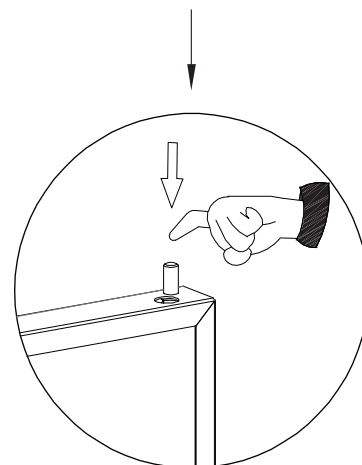
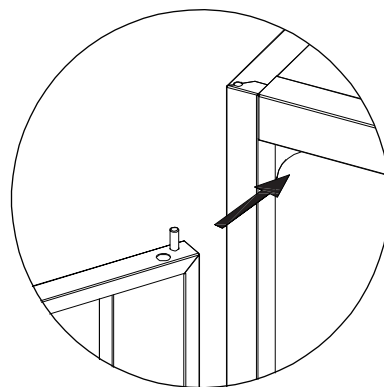


Install the lower door shaft hole on the door shaft N, and press down the upper spring pin to the upper shaft hole.

# step 14

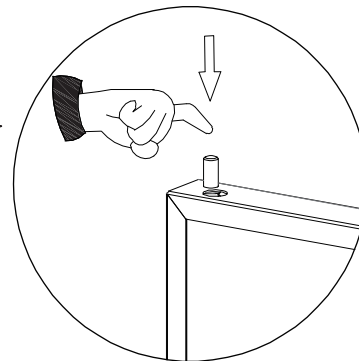
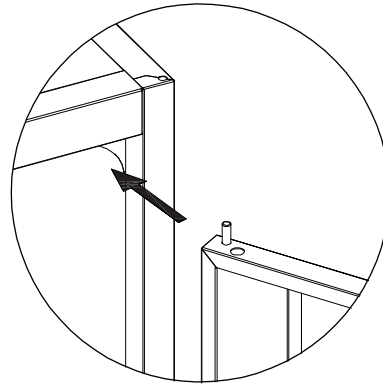
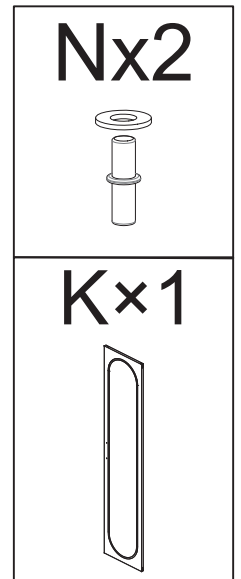
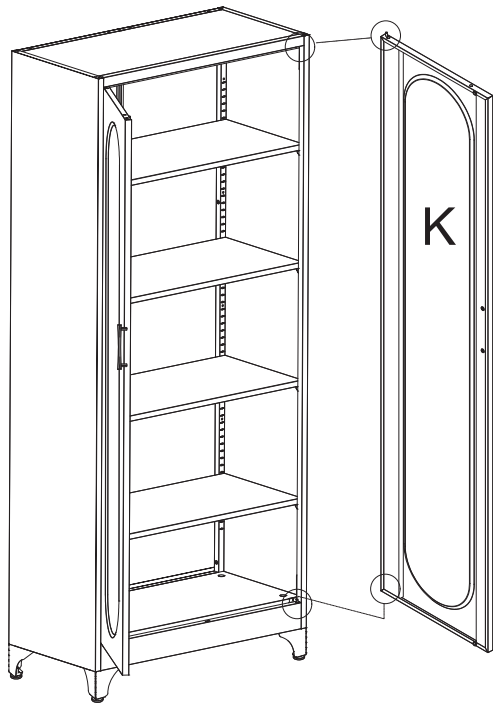


Press down the upper spring pin to the upper shaft hole.

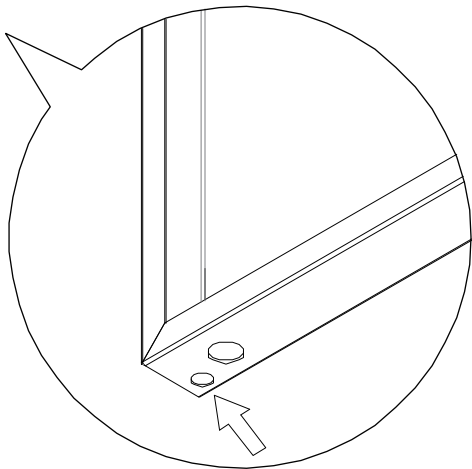


Make sure to choose the smaller hole to install on the door shaft.

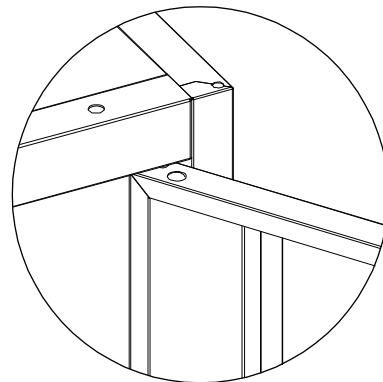
# step 15



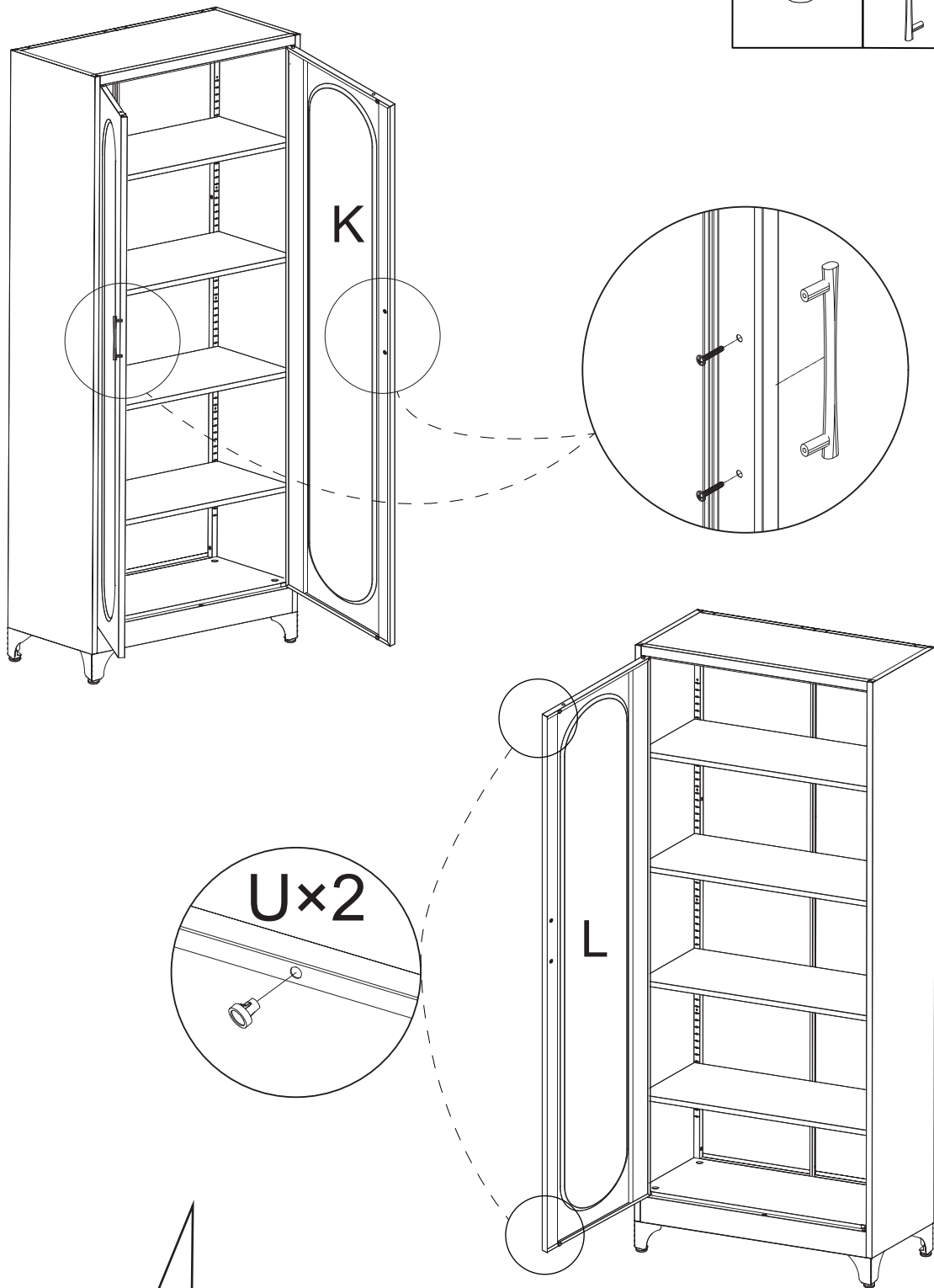
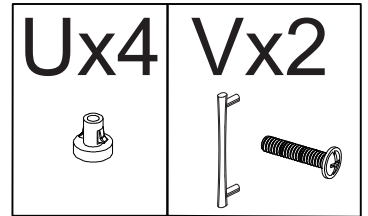
Press down the upper spring pin to the upper shaft hole.



Make sure to choose the smaller hole to install on the door shaft.

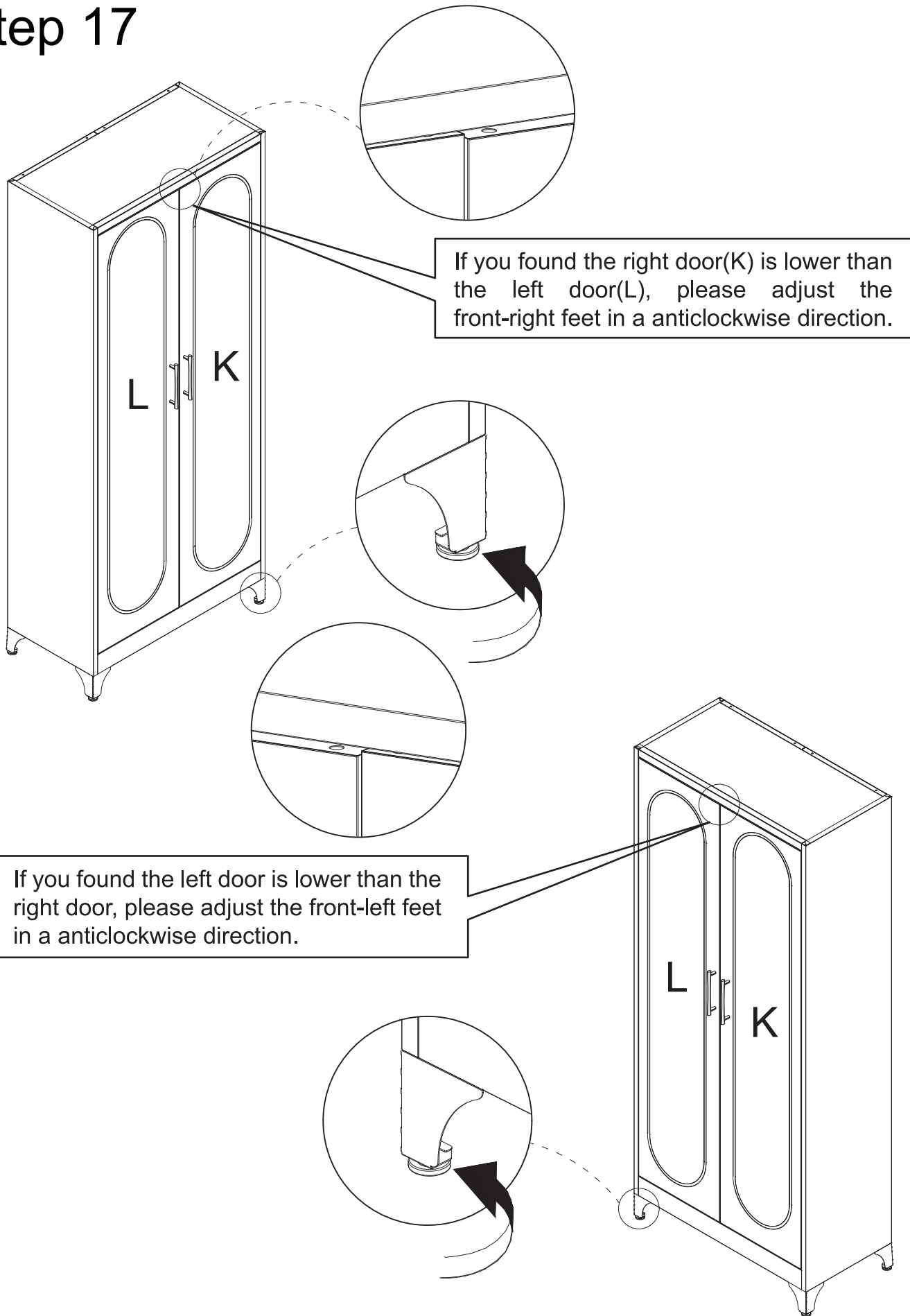


# step 16

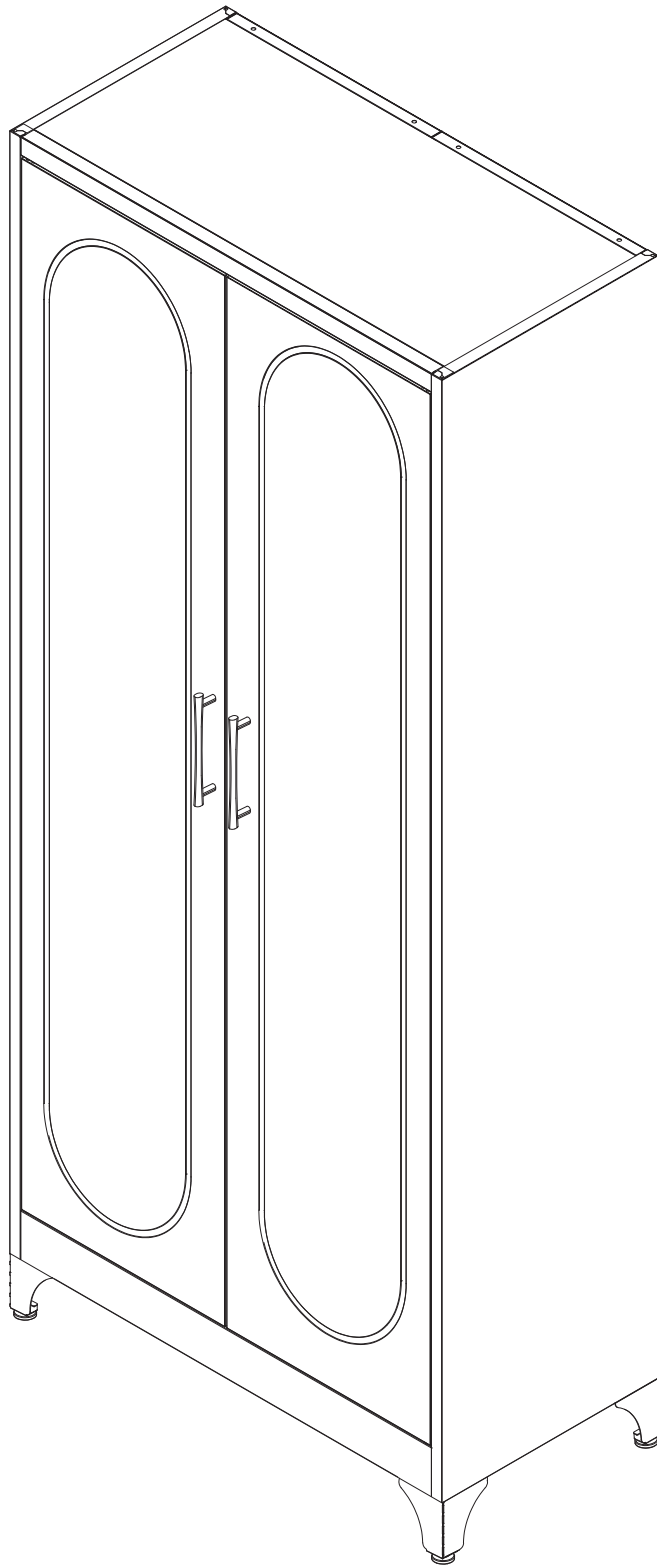


Install the handle (V) and the magnetic catches(U).

# step 17



# COMPLETION



# General Care

Cautions: The load-bearing limit for each shelf is 180lbs/81.6kg only when the weight is spread evenly. Don't try to load over the limit nor load heavy items onto one position of the shelf.



# Cleaning

- For cleaning, wipe the surface with a damp (not wet) cloth or wipe dry with a clean lint free cotton cloth.
- Window cleaning liquid or a similar cleaning liquid can be used to clean the surface.