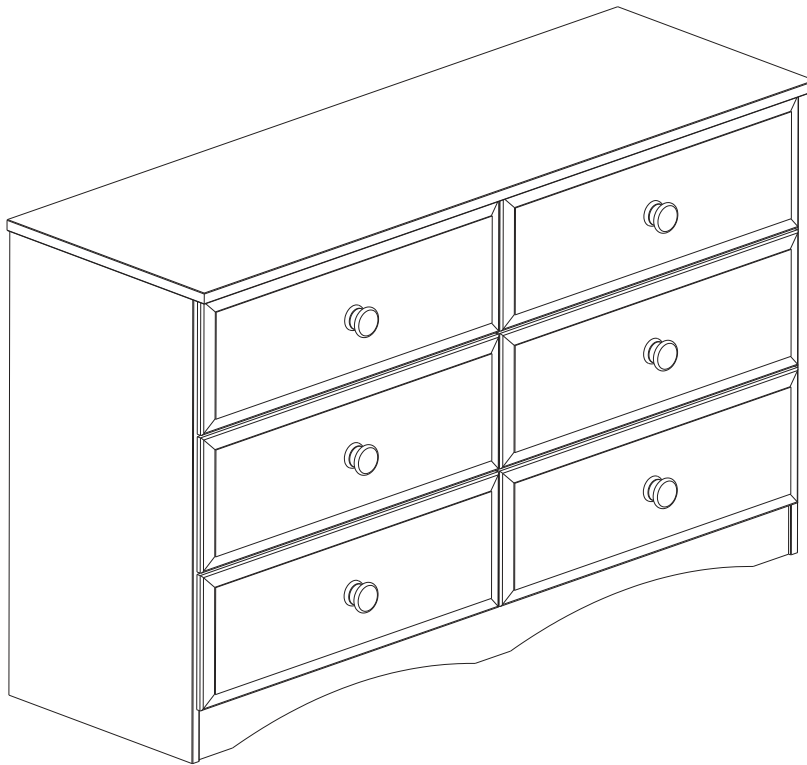
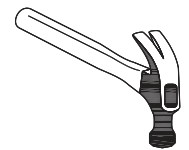
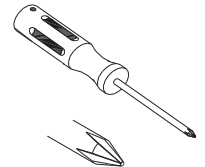
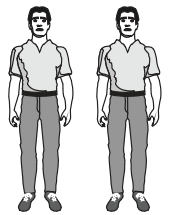


ASSEMBLY INSTRUCTIONS



00:45 Hs



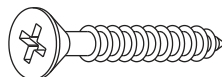
HARDWARE INCLUDED



A - 8,0x25 Wood Dowel
Qty. 46



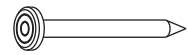
B - 4,0x30 Screw
Qty. 50



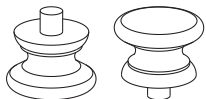
C - 3,5x30 Screw
Qty. 24



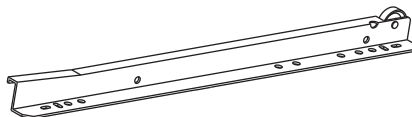
D - 3,5x14 Screw
Qty. 50



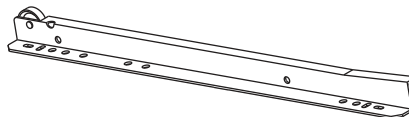
E - 10x10 Nail
Qty. 26



F - Door Knob
Qty. 06



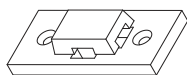
G - Slide Left 350mm
Qty. 06



H - Slide Right 350mm
Qty. 06



I - H Profile 1250mm
Qty. 01



J - Plastic wall bracket
Qty. 02

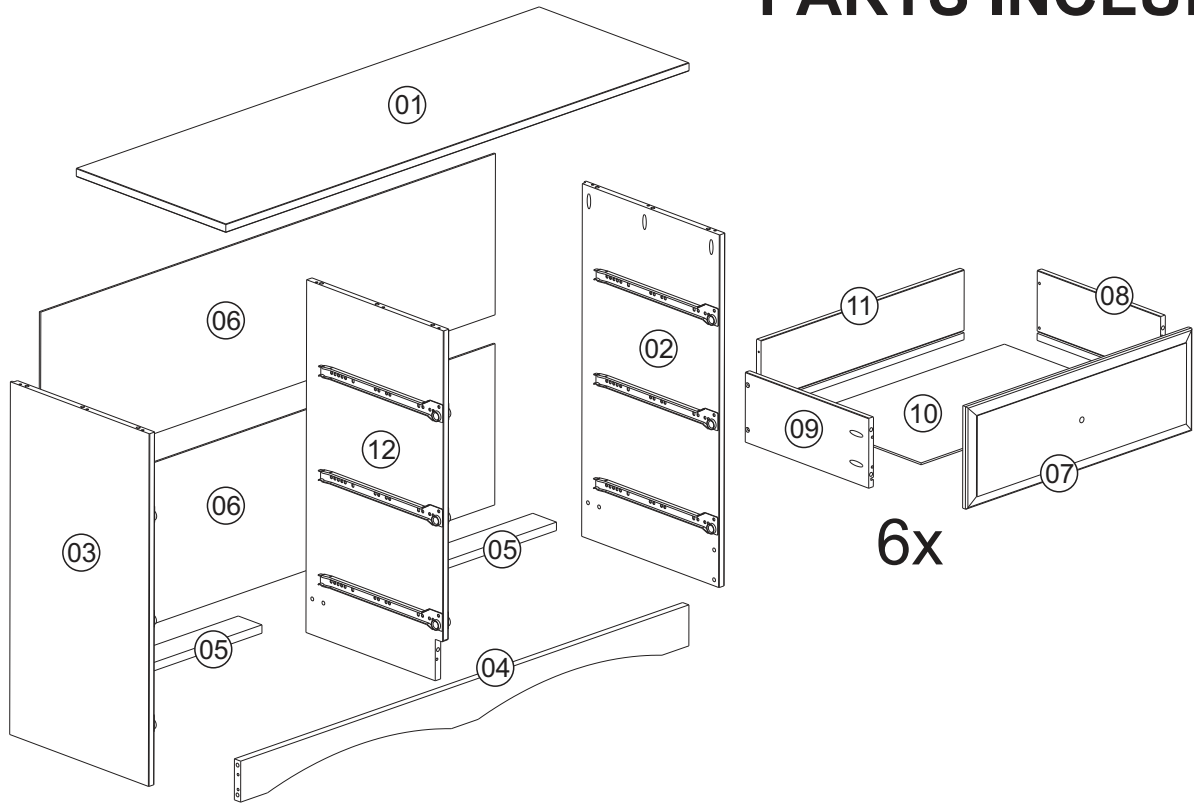


K - Nylon strap 140mm
Qty. 01

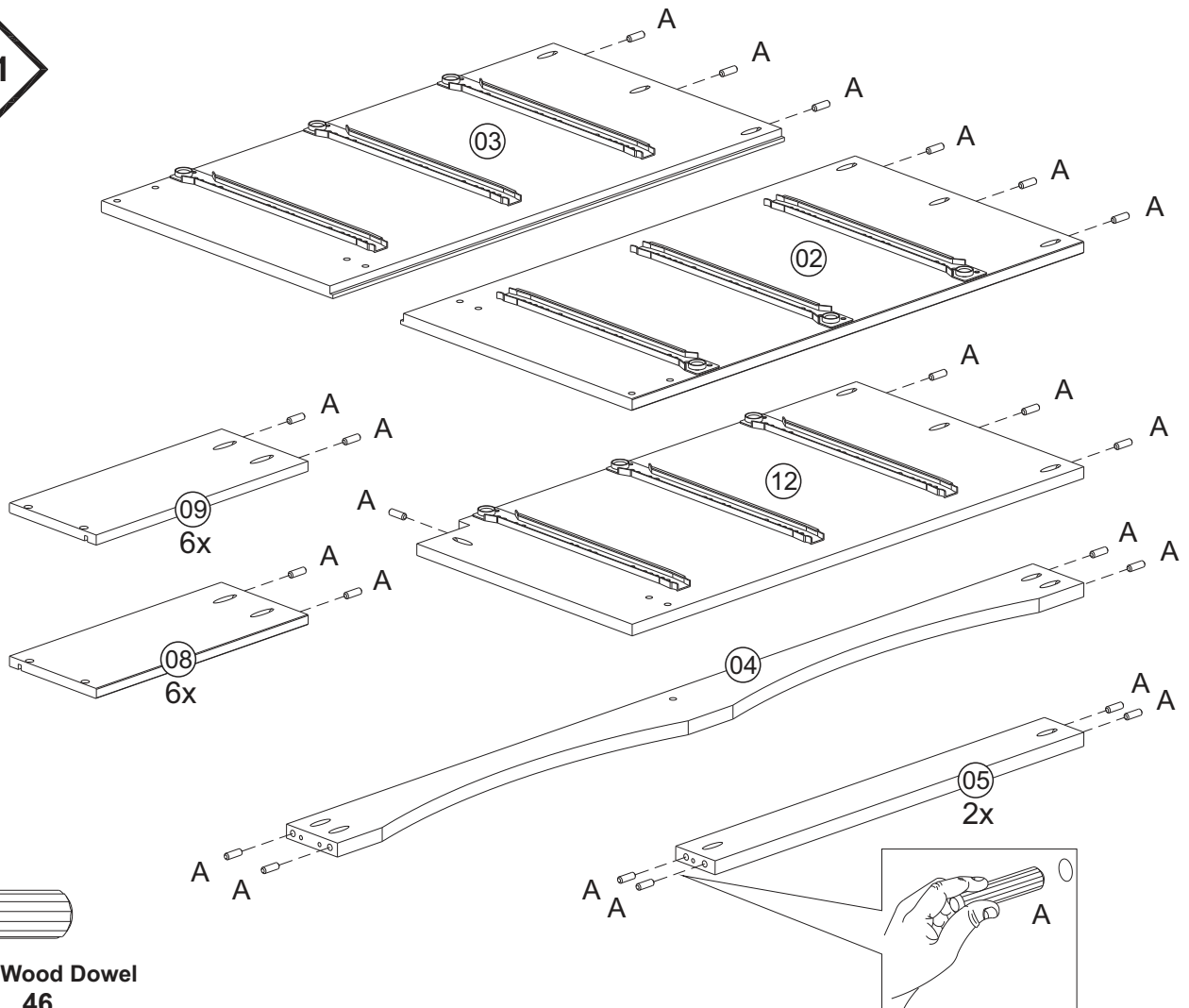


L - Plastic screw anchor 6mm
Qty. 02

PARTS INCLUDED

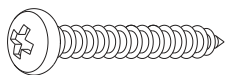
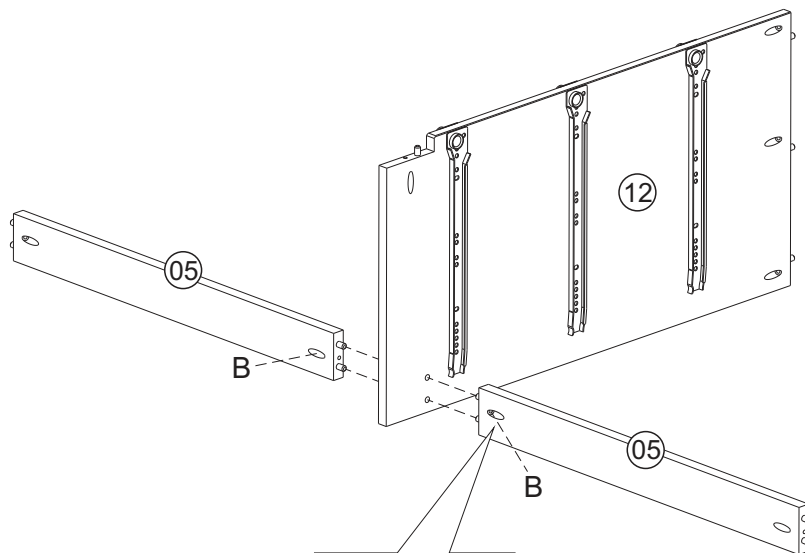


STEP 1

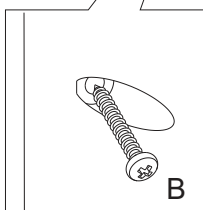


A - 8,0x25 Wood Dowel
Qty. 46

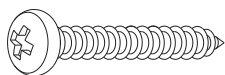
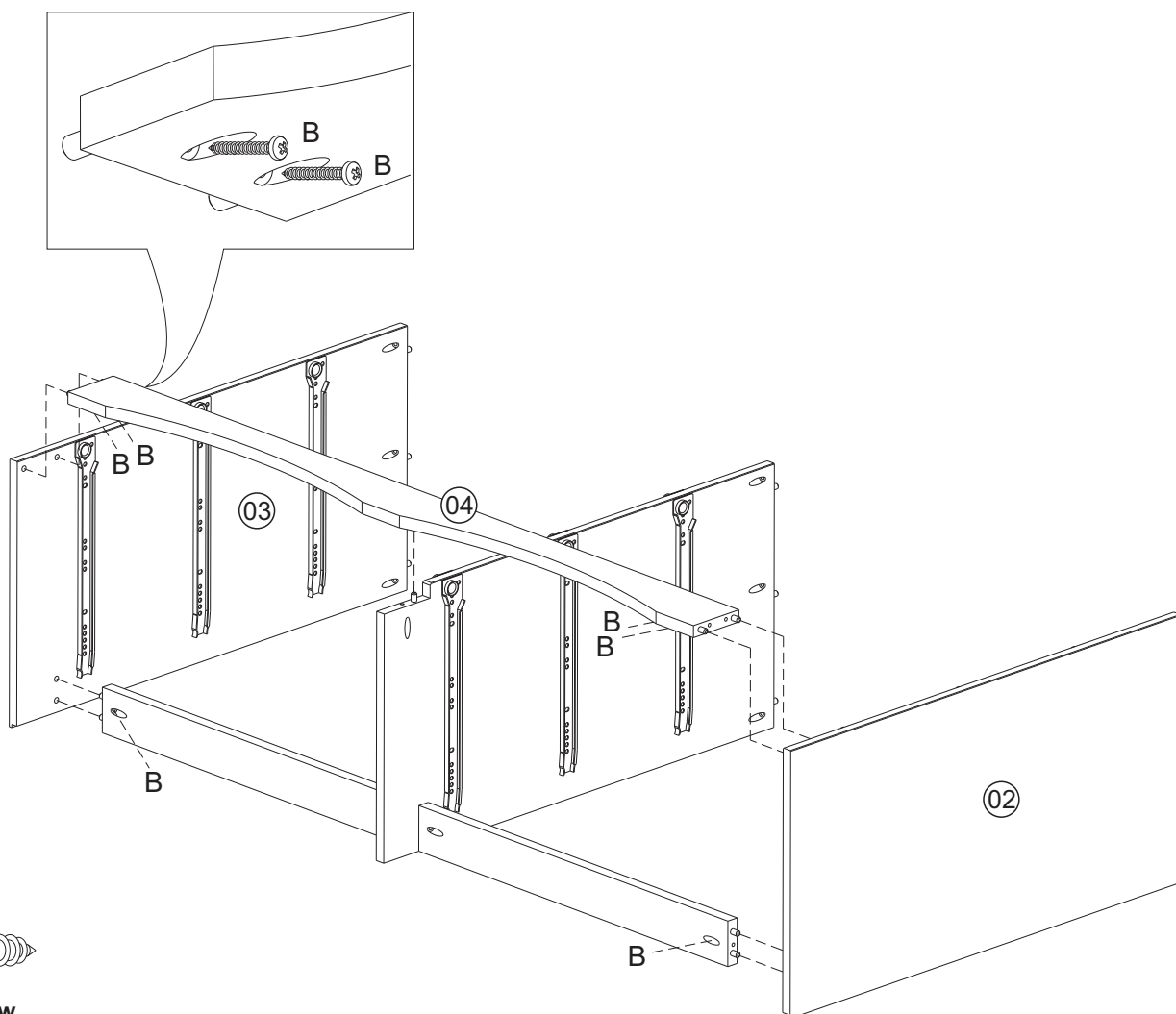
STEP 2



B - 4,0x30 Screw
Qty. 02

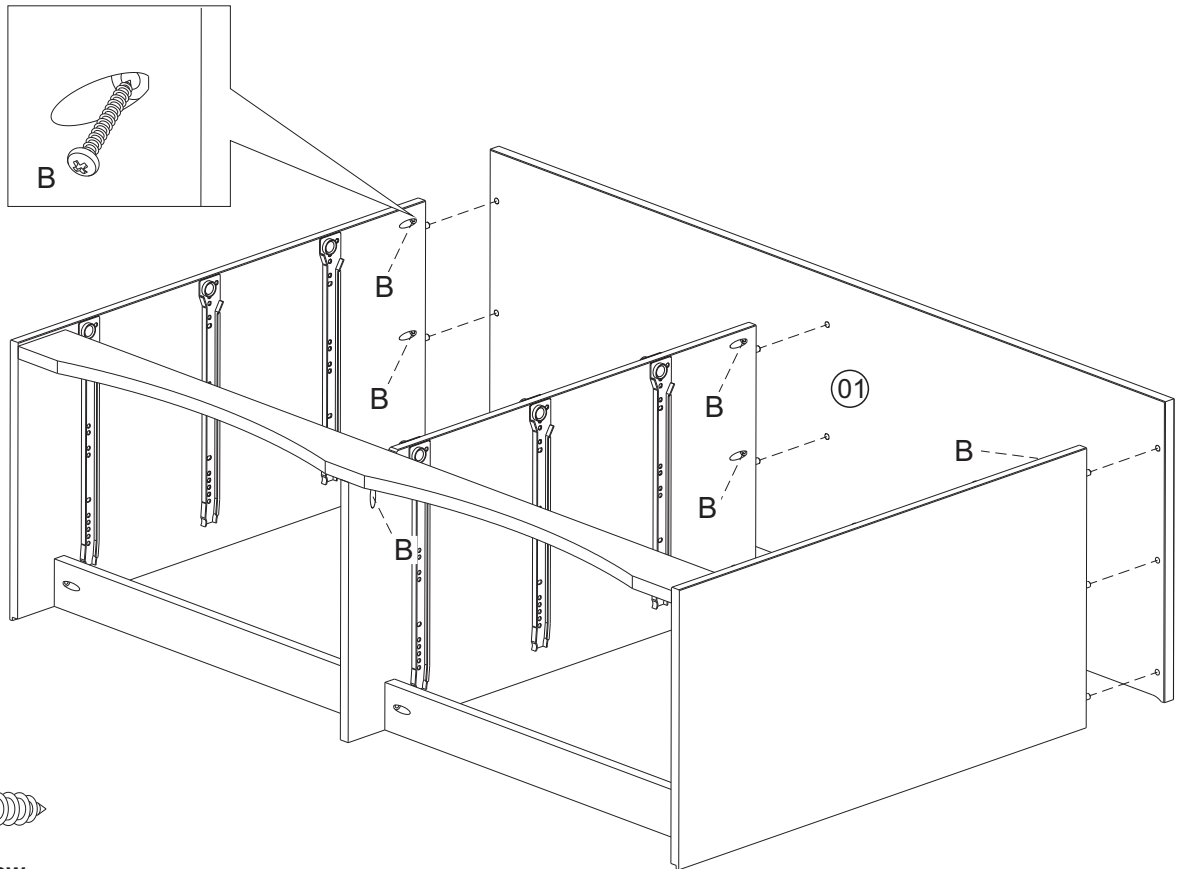


STEP 3



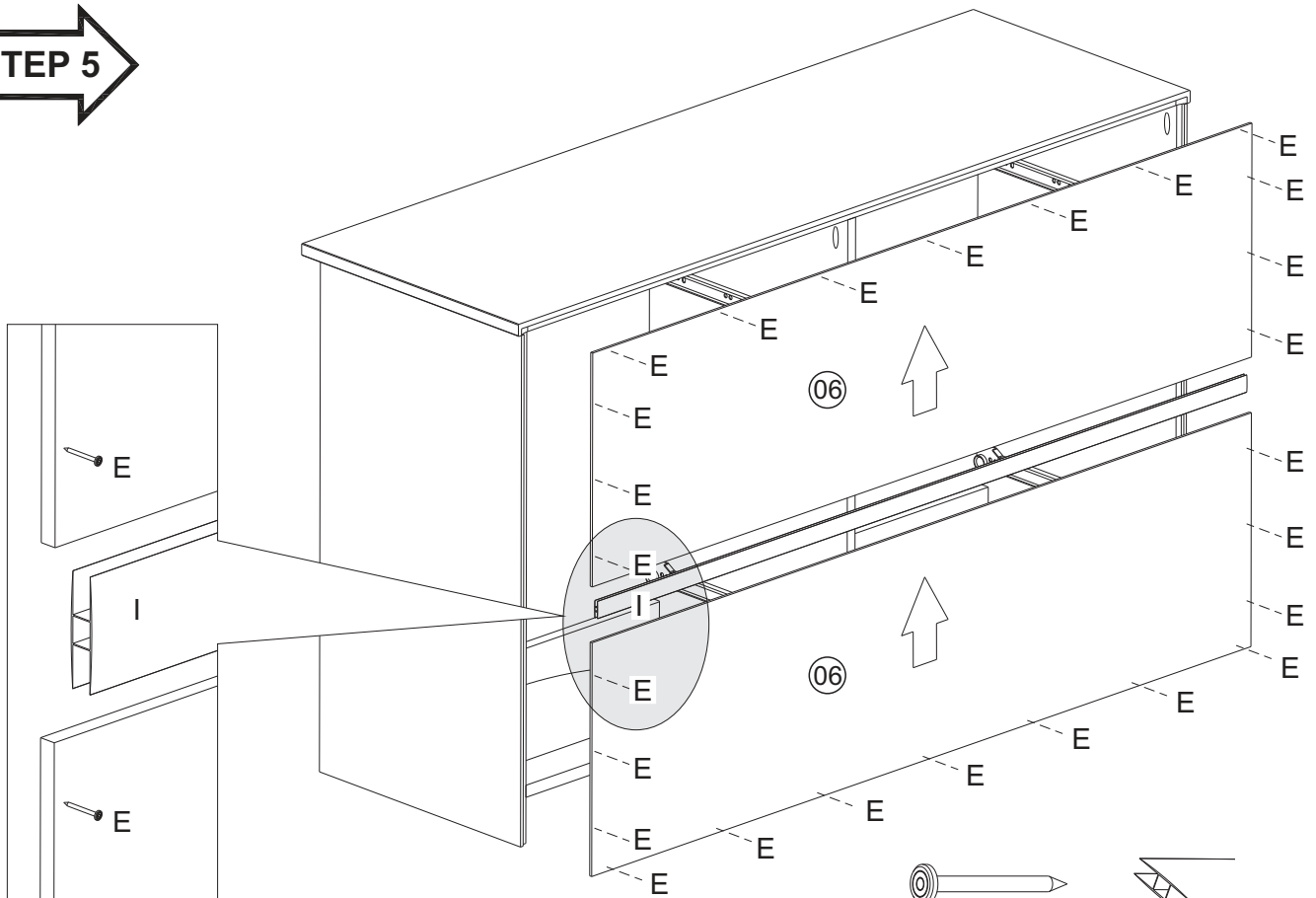
B - 4,0x30 Screw
Qty. 06

STEP 4

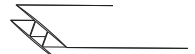


B - 4,0x30 Screw
Qty. 10

STEP 5

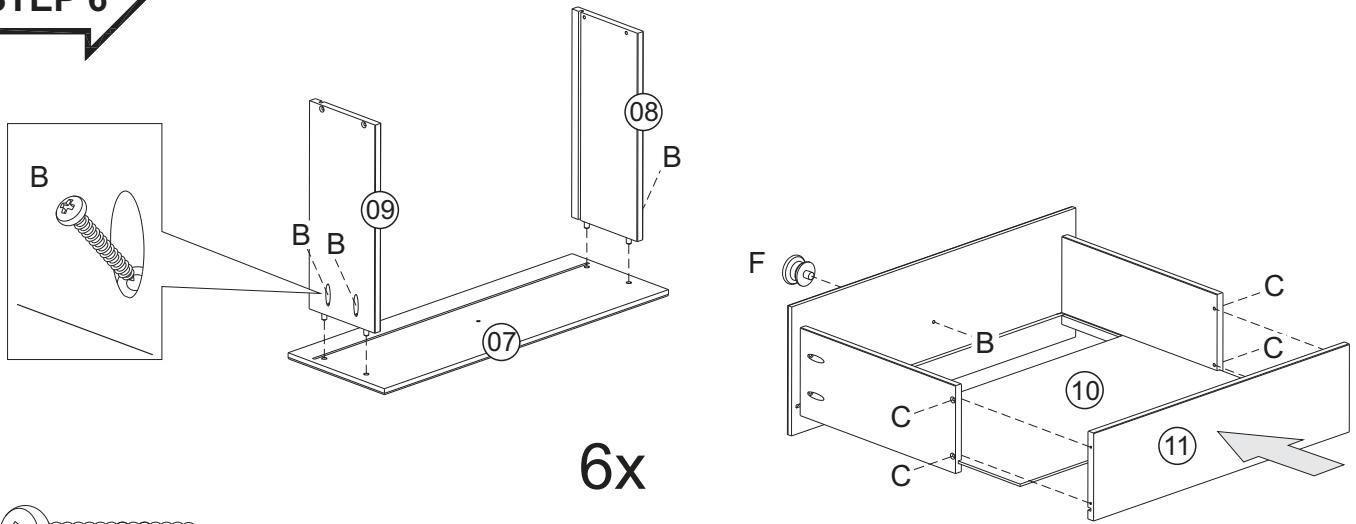


E - 10x10 Nail
Qty. 26



I - H Profile 1250mm
Qty. 01

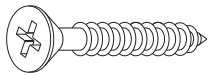
STEP 6



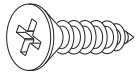
6x



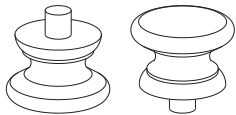
B - 4,0x30 Screw
Qty. 30



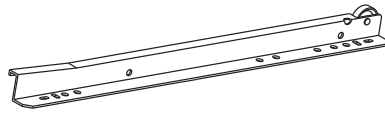
C - 3,5x30 Screw
Qty. 24



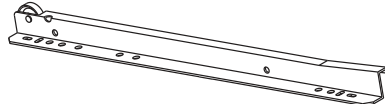
D - 3,5x14 Screw
Qty. 24



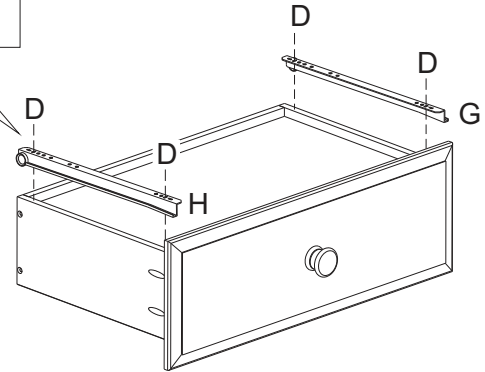
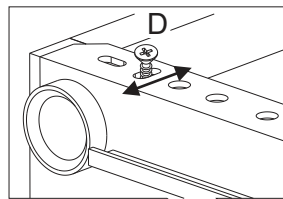
F - Door Knob
Qty. 06



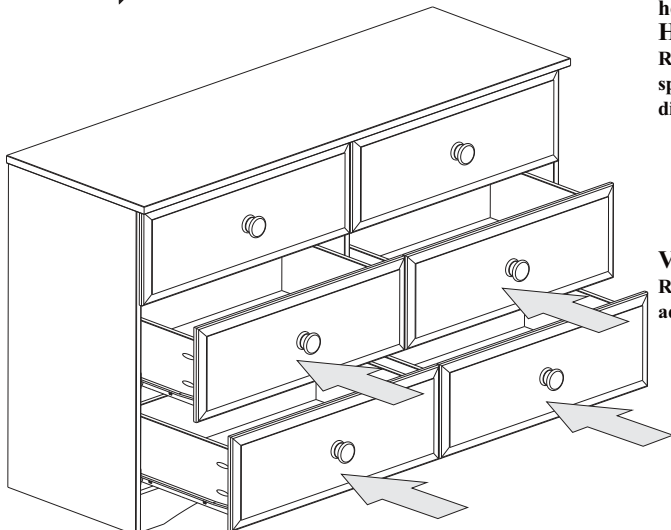
G - Slide Left 350mm
Qty. 06



H - Slide Right 350mm
Qty. 06



STEP 7

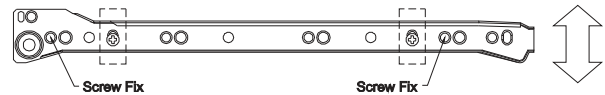


Drawer Glide Adjustments:

The metal drawer glides are designed to allow for slight adjustments vertically and horizontally, if necessary.

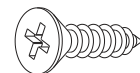
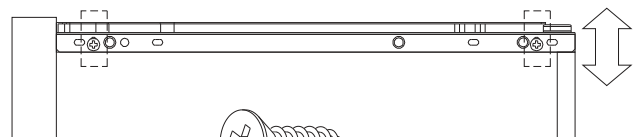
Horizontal Glide Adjustment:

Remove drawer from chest. Loosen screws indicated on side of metal track. Make needed space adjustment and re-tighten screws and add 2 additional screws in holes as indicated in diagram below:

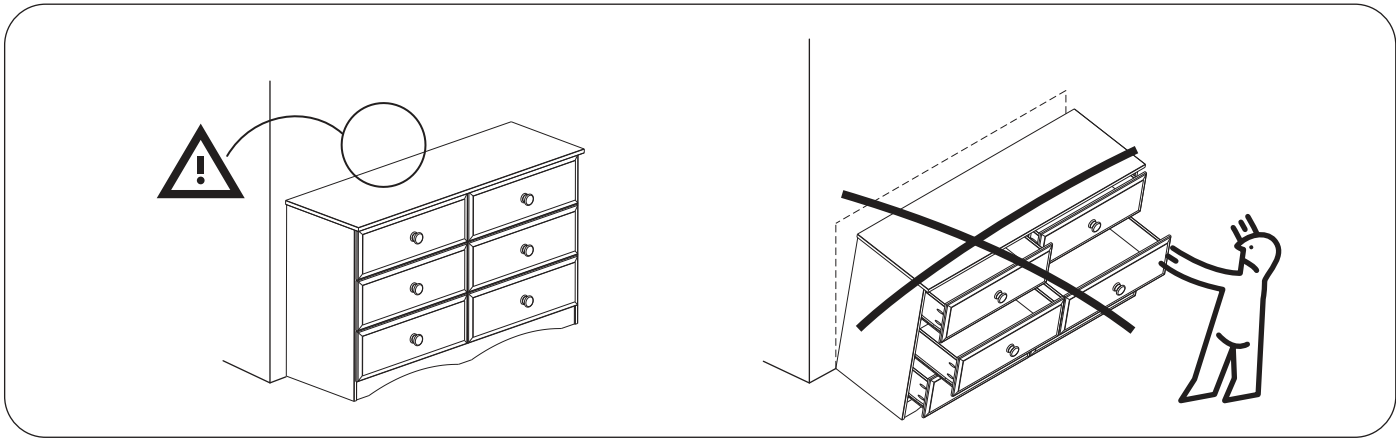


Vertical Glide Adjustment:

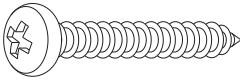
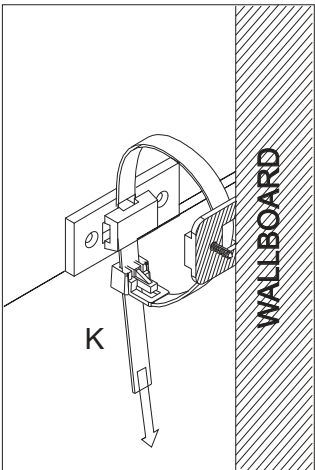
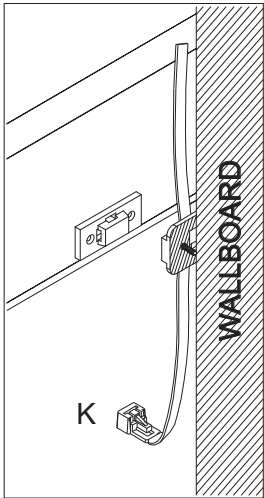
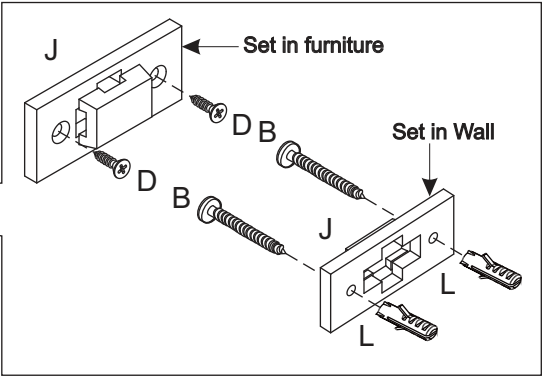
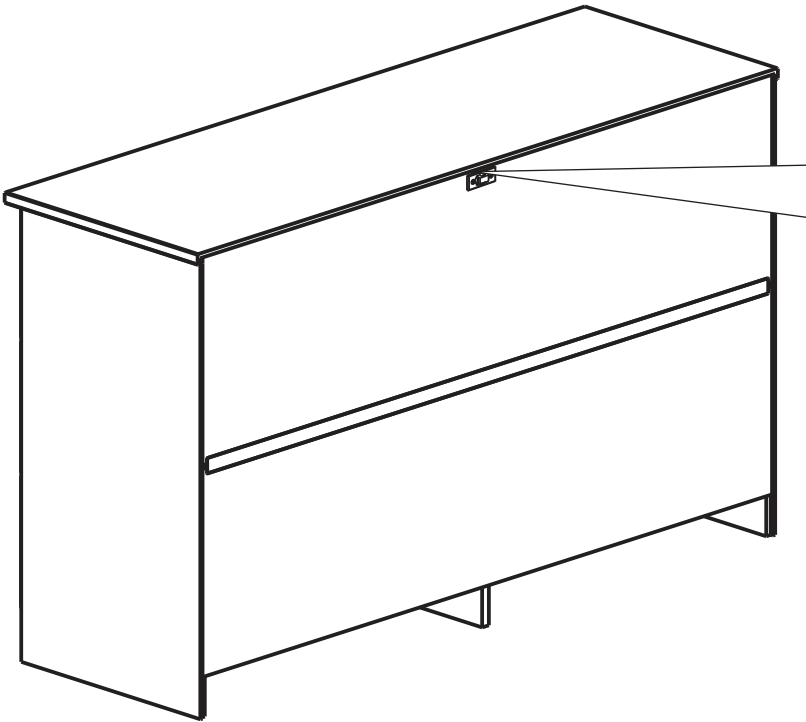
Remove drawer from chest. Loosen Screws on underside of metal track. Make needed space adjustment and re-tighten screws as indicated in diagram below:



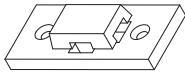
D - 3,5x14 Screw
Qty. 24



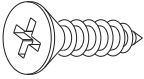
Anti-Tip Kit



B - 4,0x30 Screw
Qty. 02



J - Plastic wall bracket
Qty. 02



D - 3,5x14 Screw
Qty. 02



K - Nylon strap 140mm
Qty. 01



L - Plastic screw anchor 6mm
Qty. 02