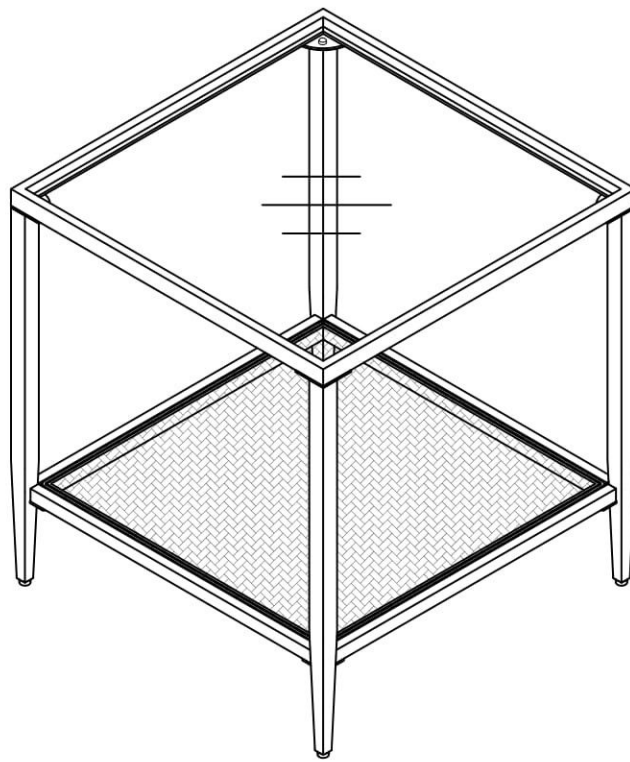


ASSEMBLY INSTRUCTIONS



END TABLE

ASSEMBLY INSTRUCTIONS

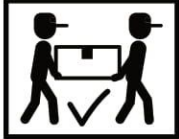
ASSEMBLY TIPS:

1. Remove hardware from box and sort by size.
2. Please check to see that all hardware and parts are present prior to start of assembly.
3. Please follow attached instructions in the same sequence as numbered to assure fast & easy assembly.



WARNING !

1. Don't attempt to repair or modify parts that are broken or defective. Please contact the store immediately.
2. This product is for home use only and not intended for commercial establishment.



ASSEMBLY TIME

15 MINUTE

PARTS IDENTIFICATION

A LEG



4PCS

C BOTTOM FRAME



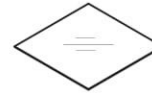
1PC

B UPPER FRAME



1PC

D GLASS TOP



1PC

HARDWARE IDENTIFICATION

1

BOLT
(1/4"x5/8")



16PCS

2

GLASS PAD
(ϕ 12MM)



4PCS

3

ALLEN KEY
(4x22X60mm)



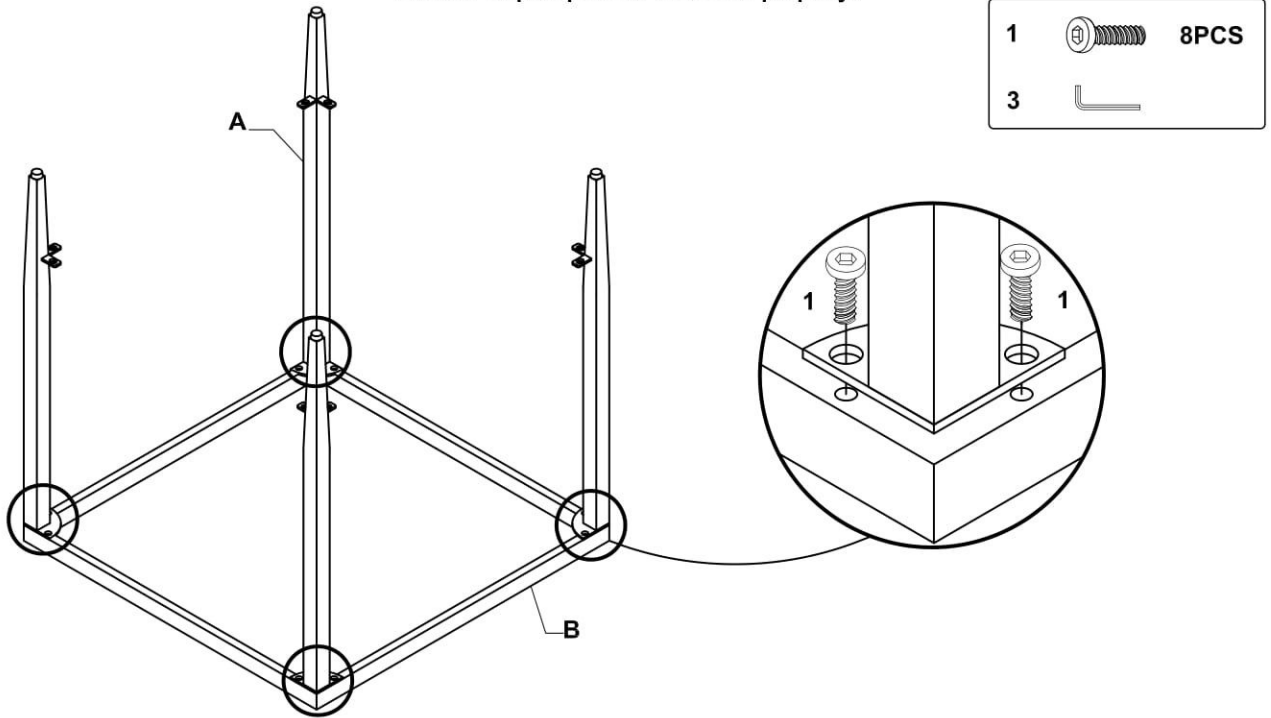
1PC

ASSEMBLY INSTRUCTIONS

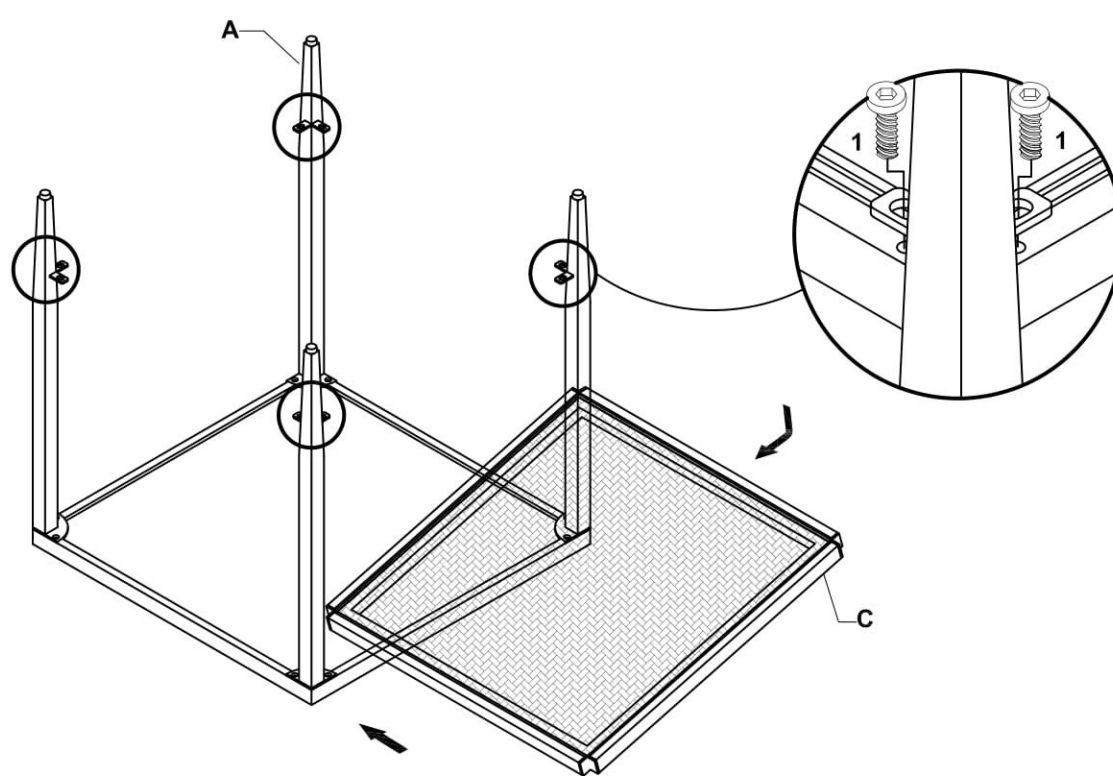
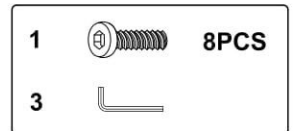
STEP 1:

ASSEMBLY

Do not fully tighten all bolts until assembly is complete.
This will help all parts to assemble properly.

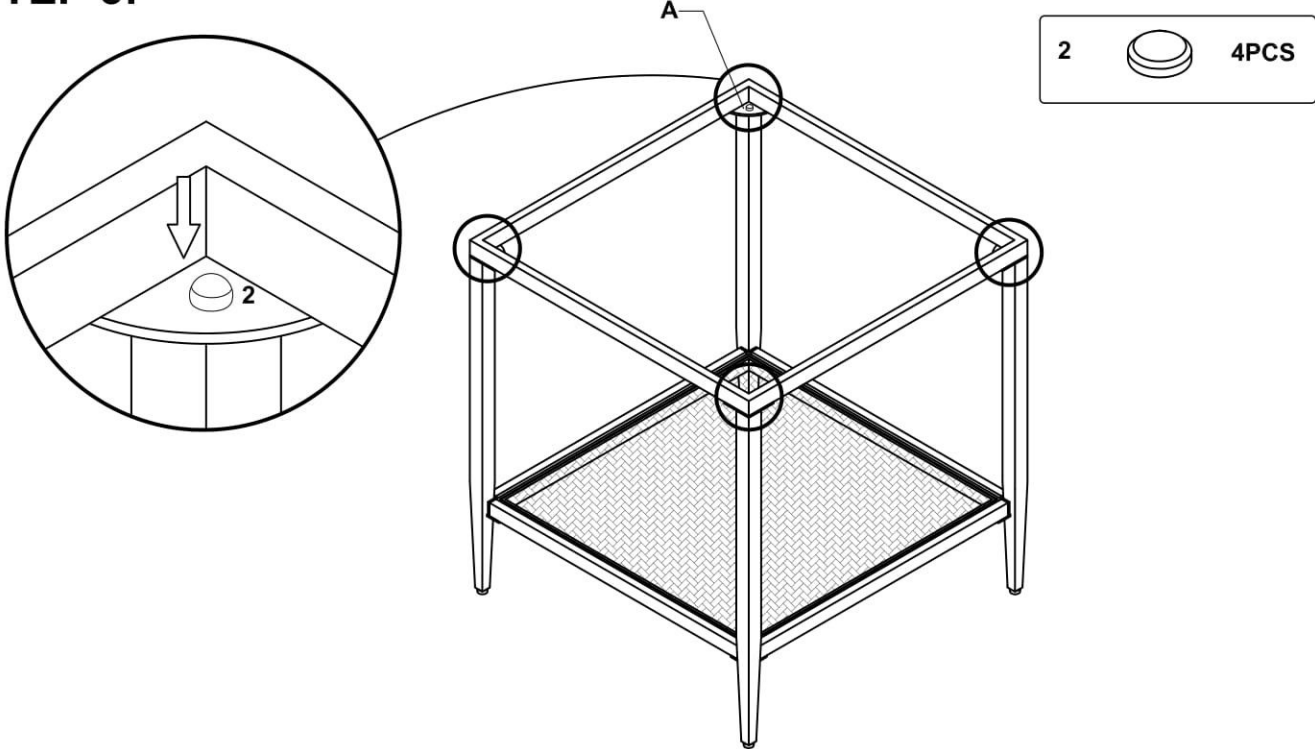


STEP 2:

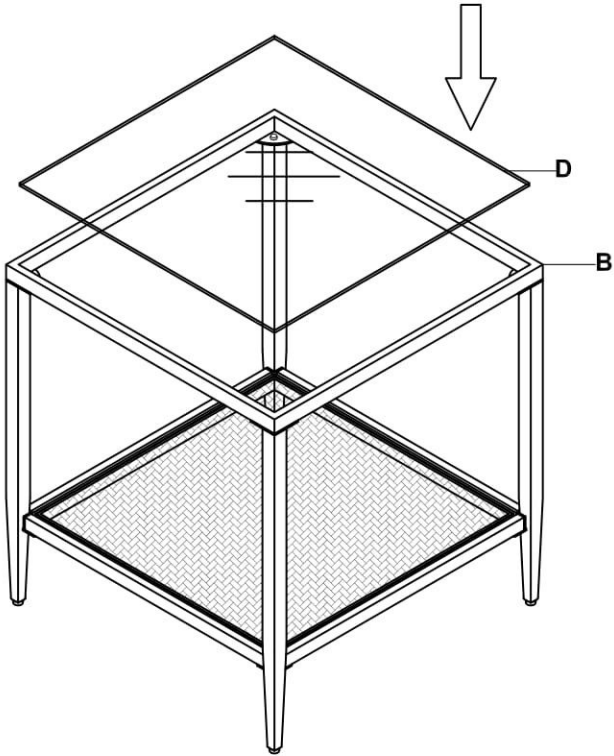


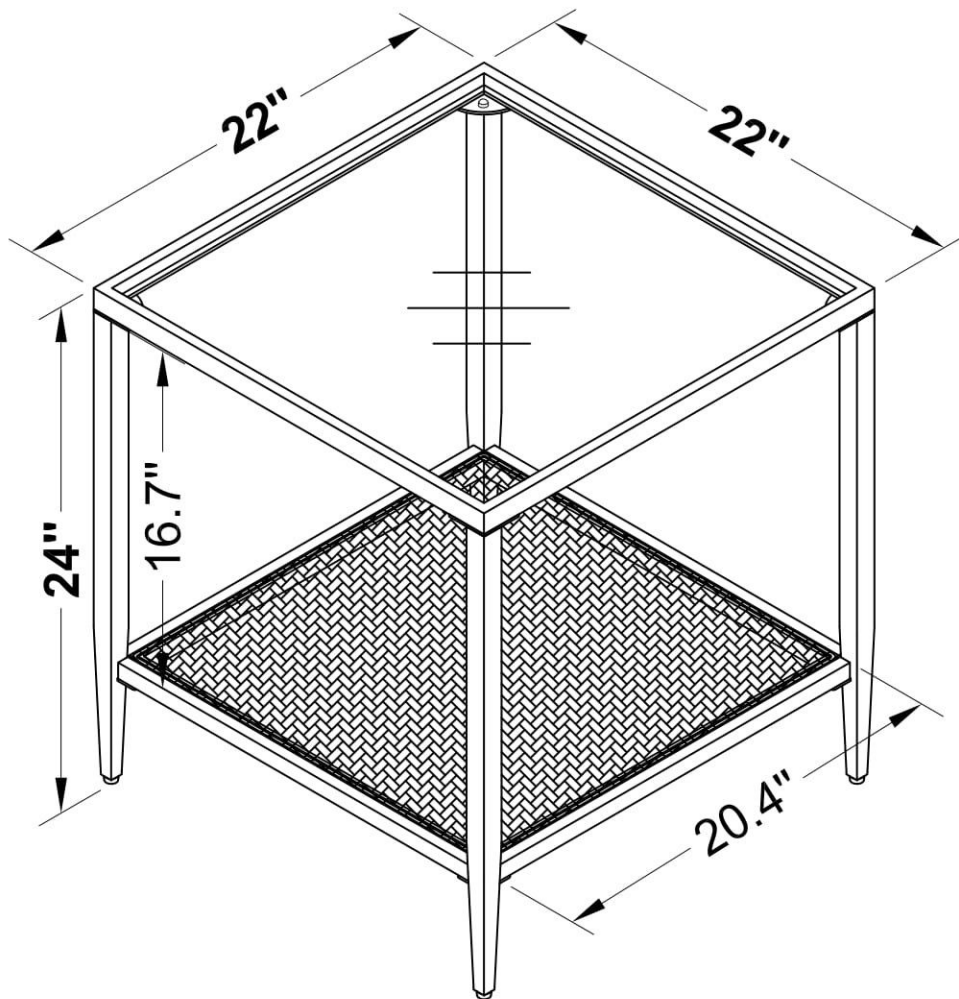
ASSEMBLY INSTRUCTIONS

STEP 3:



STEP 4:





Note : Dimension tolerance $\pm 5\%$