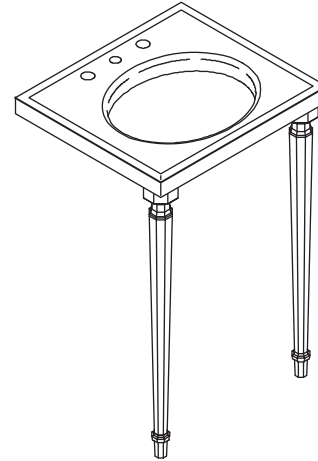


Features

- Marble
- Pre-drilled for 8" (203 mm) widespread faucet
- Pre-cut for Caxton™ 17" (432 mm) x 14" (356 mm) under-mount bathroom sink (required)
- 24" (610 mm) x 22" (559 mm) x 33-3/4" (857 mm)

MARBLE CONSOLE TABLE K-3023



Codes/Standards Applicable

Specified model meets or exceeds the following:

- None applicable

Colors/Finishes

- WH: White Carrara Marble
- NM: Nero Marquina Black Marble

Accessories:

- CP: Polished Chrome
- 7: Black Black™
- Other: Refer to Price Book for additional colors/finishes

Specified Model

Model	Description	Colors/Finishes	
K-3023	Kathryn marble console table	<input type="checkbox"/> WH	<input type="checkbox"/> NM

Required Accessories			
K-9699	24" (610 mm) frame kit	<input type="checkbox"/> NA	
K-2210-G	Caxton 17" (432 mm) x 14" (356 mm) under-mount bathroom sink with glazed underside	<input type="checkbox"/> 0	<input type="checkbox"/> 7
K-6839*	Kathryn octagonal brass legs	<input type="checkbox"/> CP	<input type="checkbox"/> Other _____
K-2317-AF*	Kathryn octagonal fireclay/French gold brass legs	<input type="checkbox"/> 0	<input type="checkbox"/> Other _____
K-2317-BN*	Kathryn octagonal fireclay/brushed nickel brass legs	<input type="checkbox"/> CP	<input type="checkbox"/> Other _____

* Only one set of legs is required.

Required Accessories Continued on Page 2.

Product Specification

The console table shall be 24" (610 mm) in length, 22" (559 mm) in width and 33-3/4" (857 mm) in height. Console table shall be made of marble. Console table shall be pre-cut for Caxton 17" (432 mm) x 14" (356 mm) under-mount bathroom sink. Console table shall be pre-drilled for 8" (203 mm) widespread faucet. Console table shall be Kohler Model K-3023-_____.

KATHRYN®

Required Accessories

K-2317-CP*	Kathryn octagonal fireclay/polished chrome brass legs	<input type="checkbox"/> CP	<input type="checkbox"/> Other _____
K-2317-SN*	Kathryn octagonal fireclay/polished nickel brass legs	<input type="checkbox"/> CP	<input type="checkbox"/> Other _____
K-2318*	Kathryn square fireclay legs	<input type="checkbox"/> CP	<input type="checkbox"/> Other _____

* Only one set of legs is required.

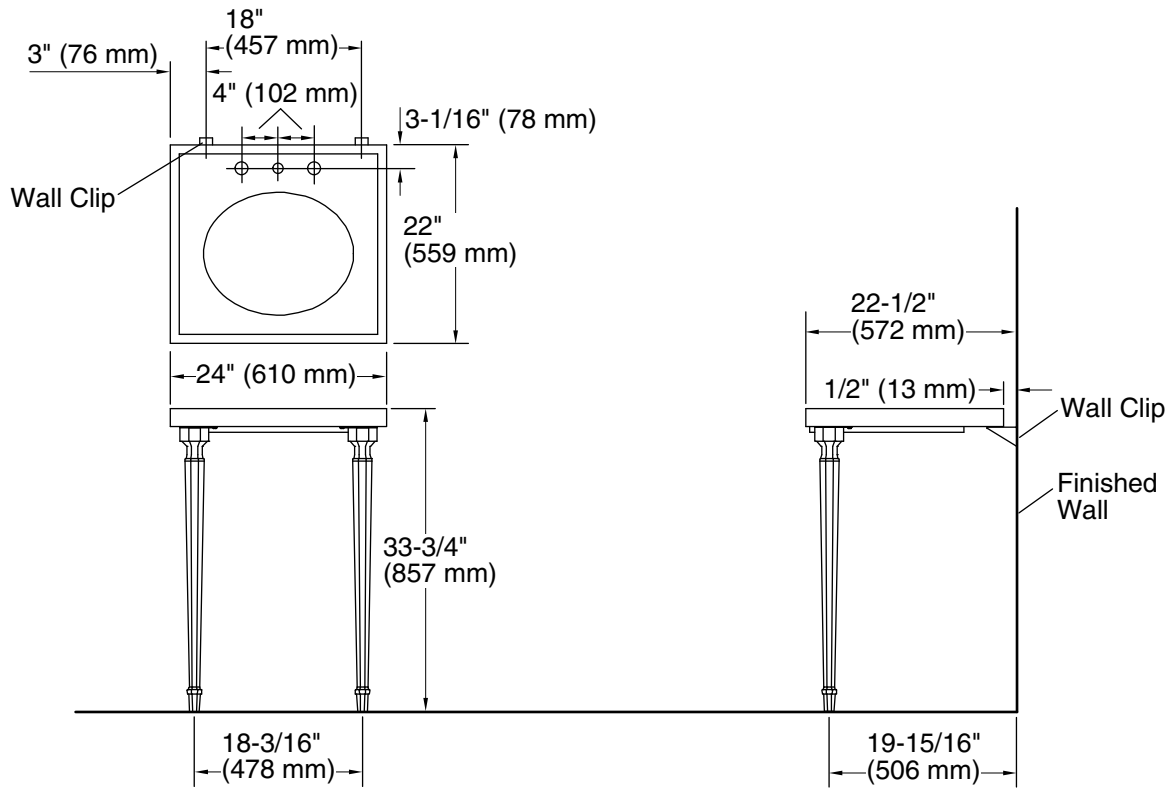
Technical Information

Included Component:		
Kathryn console table	K-3023	shown
Required Accessories:		
Kathryn 24" (610 mm) frame kit	K-9699	shown
Caxton™ 17" (432 mm) x 14" (356 mm) under-mount bathroom sink	K-2210-G	not shown
Kathryn octagonal brass legs	K-6839*	shown
Kathryn octagonal fireclay/brass legs	K-2317*	not shown
Kathryn square fireclay legs	K-2318*	not shown

* Only one set of legs is required.

Installation Notes

Install this product according to the installation guide.



Product Diagram