

ASSEMBLY INSTRUCTIONS

NIGHTSTAND

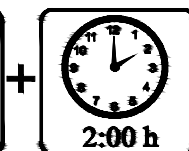
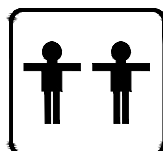
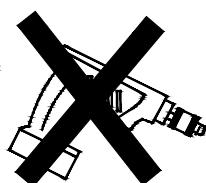


Thank you for purchasing this quality product. Be sure to check all packing material carefully for small parts which may have come loose inside the carton during shipment. Separate, identify and count all parts and hardware.

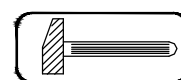
Compare with the parts list to be sure all parts are present.

"DO NOT TIGHTEN SCREWS UNTIL COMPLETELY ASSEMBLED"

*** Use of power tool to assemble this product will invalidate any claim and damage this product making unsafe !!!**
*** Please assemble on a clean soft surface to avoid damage.**



Tools Required



(Not included)

IMPORTANT:

PLEASE READ INSTRUCTION BEFORE STARTING THE ASSEMBLY

Thank you for buying our products.

Please read the installation manual carefully before installation,

we need you to follow the instructions on the accessories and hardware

step by step assembly complete, our instructions are very detailed.

Products are environmentally friendly products,

Please rest assured that you do not soak in water, do not place very heavy items,

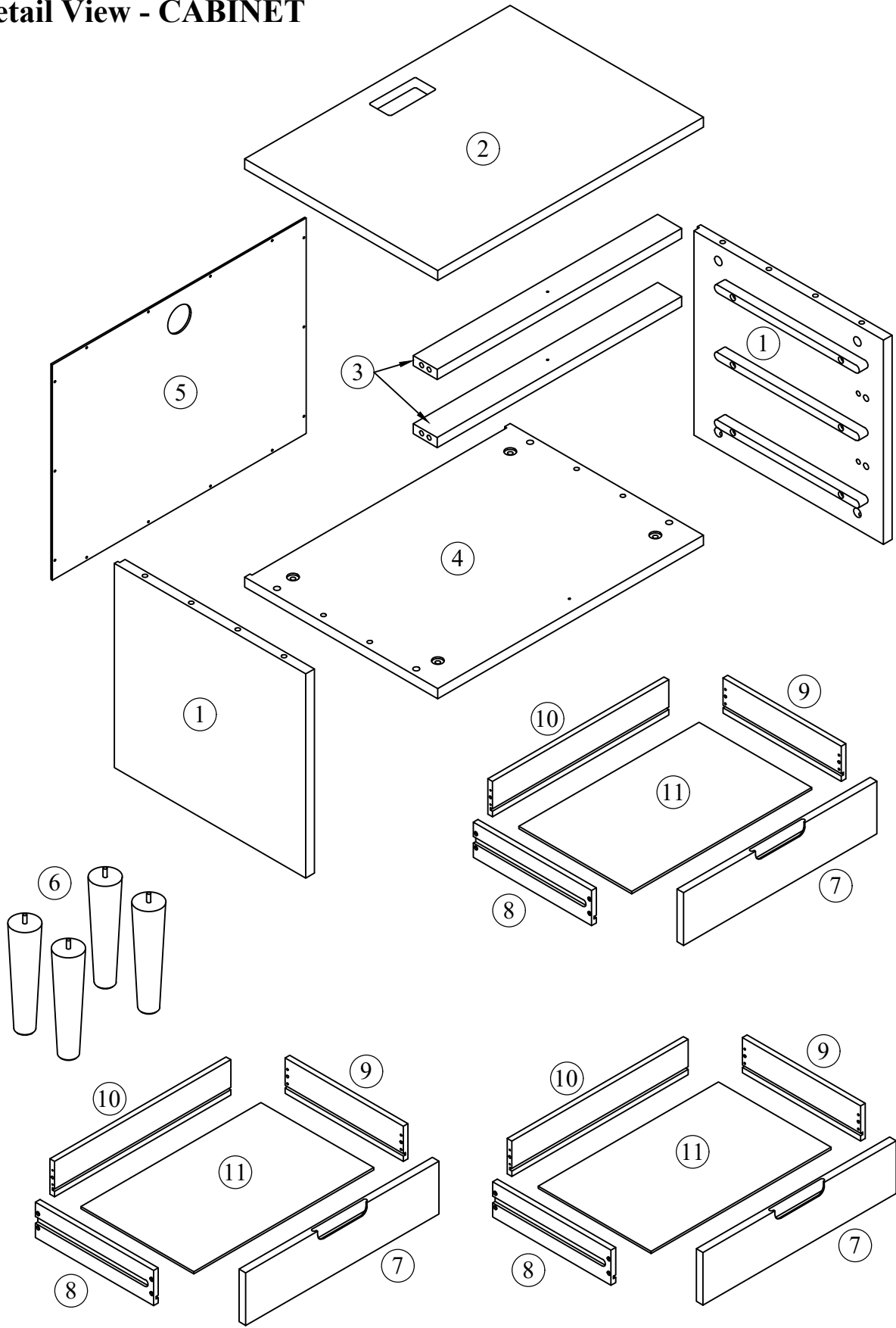
do not malicious push and pull,

if you have any problems in the process of assembly and use, please contact us.

Thank you again for your purchase of our products,

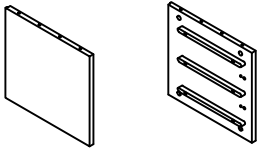
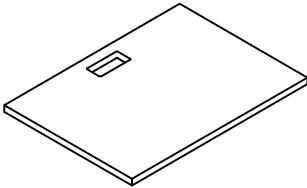
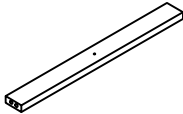
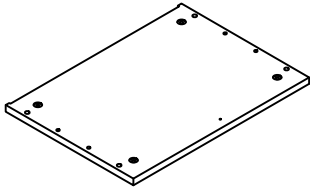
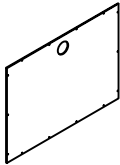

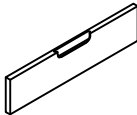
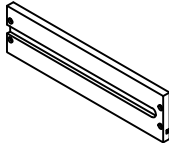
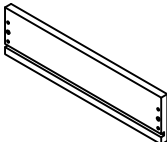
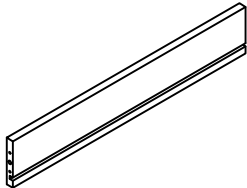
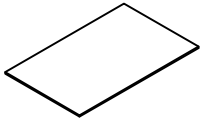
I wish you a happy life.

Detail View - CABINET

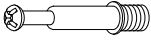


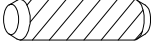


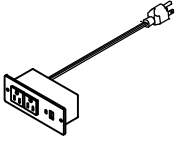
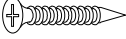
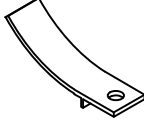
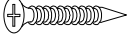
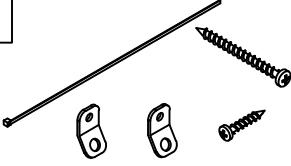
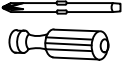


Identifying the Hardware—Identify the hardware using the illustrations below.

Part List

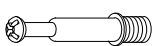
<p>1</p>  <p>Side Panel - 2pcs</p>	<p>2</p>  <p>Top Panel - 1pc</p>
<p>3</p>  <p>Front Bar - 2pcs</p>	<p>4</p>  <p>Bottom Panel - 1pc</p>
<p>5</p>  <p>Back Panel - 1pc</p>	<p>6</p>  <p>Cabinet Feet - 4pcs</p>
<p>7</p>  <p>Drawer Face - 3pcs</p>	<p>8</p>  <p>Drawer Panel Side (L) -3pcs</p>
<p>9</p>  <p>Drawer Panel Side (R) - 3pcs</p>	<p>10</p>  <p>Drawer Panel Rear - 3pcs</p>
<p>11</p>  <p>Drawer Panel Bottom -3pcs</p>	

Hardware List


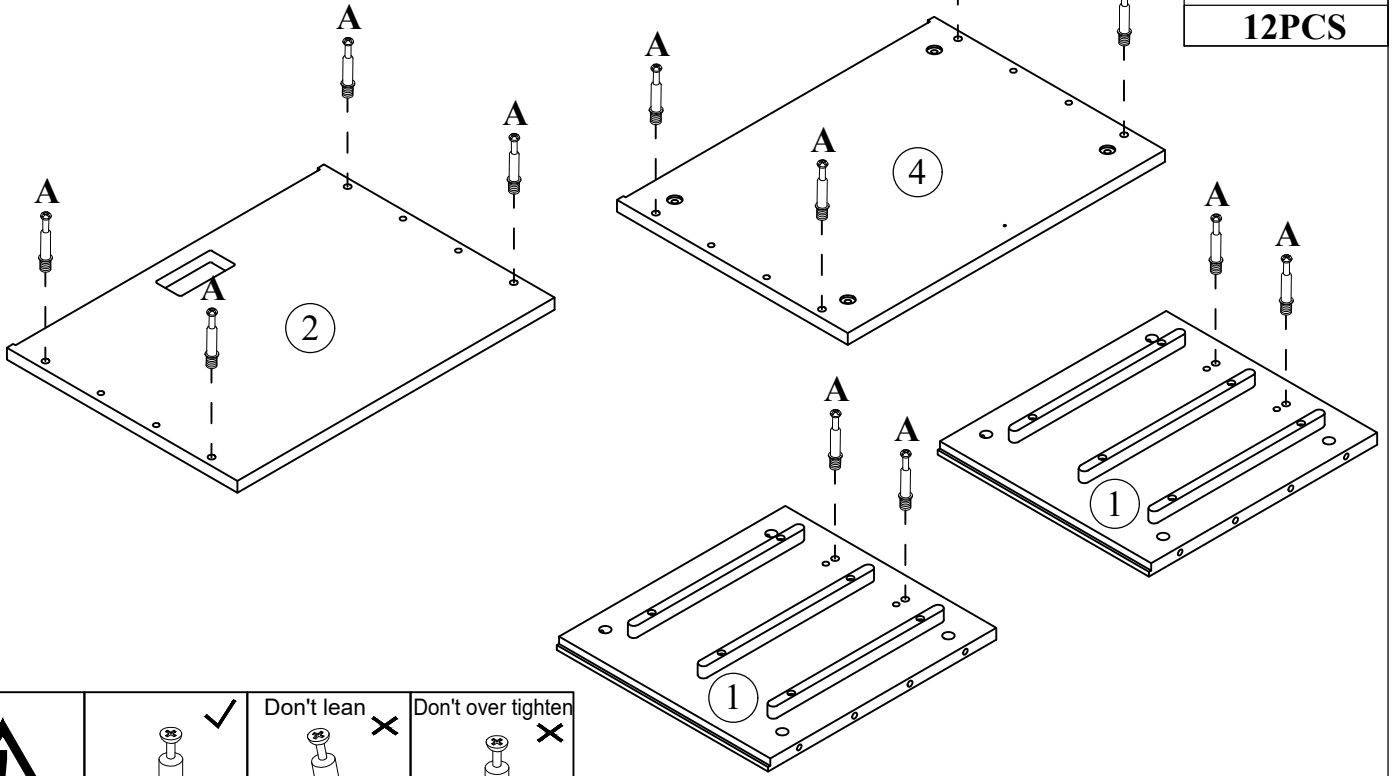
<p>A</p>  <p>ø6x33mm</p>	<p>B</p>  <p>ø14.5x12mm</p>	<p>C</p>  <p>ø8xø4x32mm</p>
<p>Three in one bolts (12pcs)</p>	<p>Three in one lock (12pcs)</p>	<p>Round head screw (24pcs)</p>
<p>D</p>  <p>ø8x30mm</p>	<p>E</p>  <p>ø6x30mm</p>	<p>F</p>  <p>ø7xø3.5x15mm</p>
<p>Wood dowel (12pcs)</p>	<p>Wood dowel (12pcs)</p>	<p>Round head screw (14pcs)</p>
<p>G</p> 	<p>H</p>  <p>ø7xø3.5x12mm</p>	<p>I</p> 
<p>USB Power Socket (1pc)</p>	<p>Flat head screw (2pcs)</p>	<p>Drawer Stop (3pcs)</p>
<p>J</p>  <p>ø7xø3.5x12mm</p>	<p>K</p> 	<p>L</p>  <p>5.6x135mm</p>
<p>Flat head screw (3pcs)</p>	<p>Anti fall hardware (1set)</p>	<p>Big screw(1pc)</p>

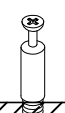

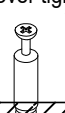
STEP: 1

A



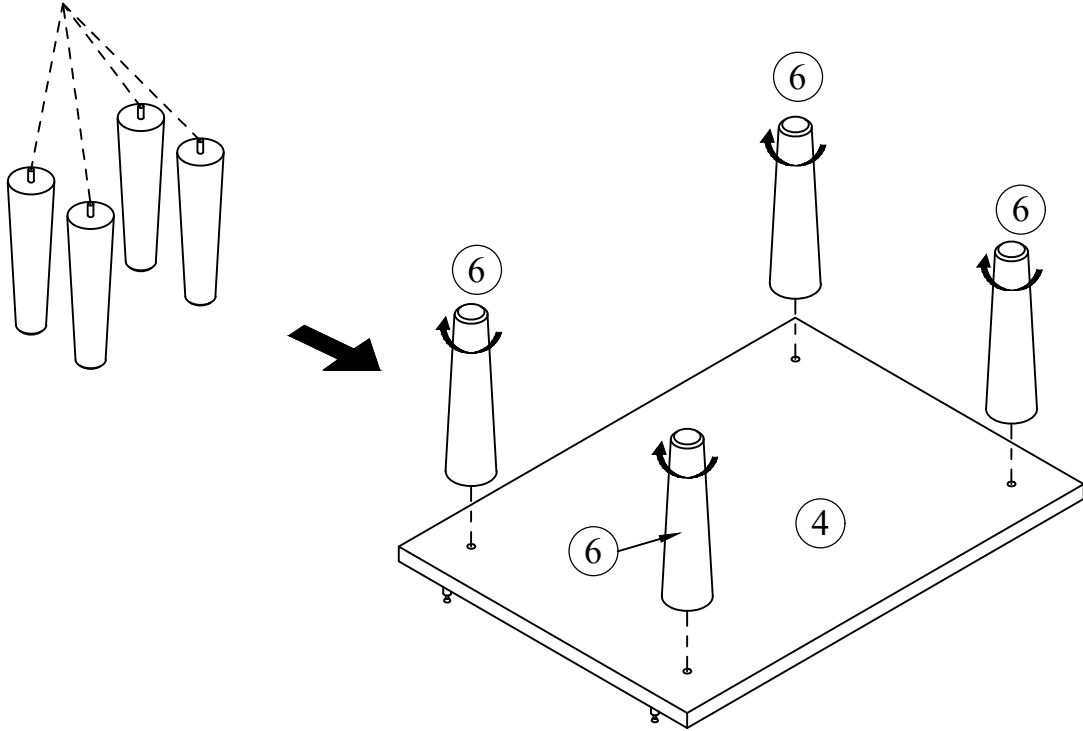
12PCS



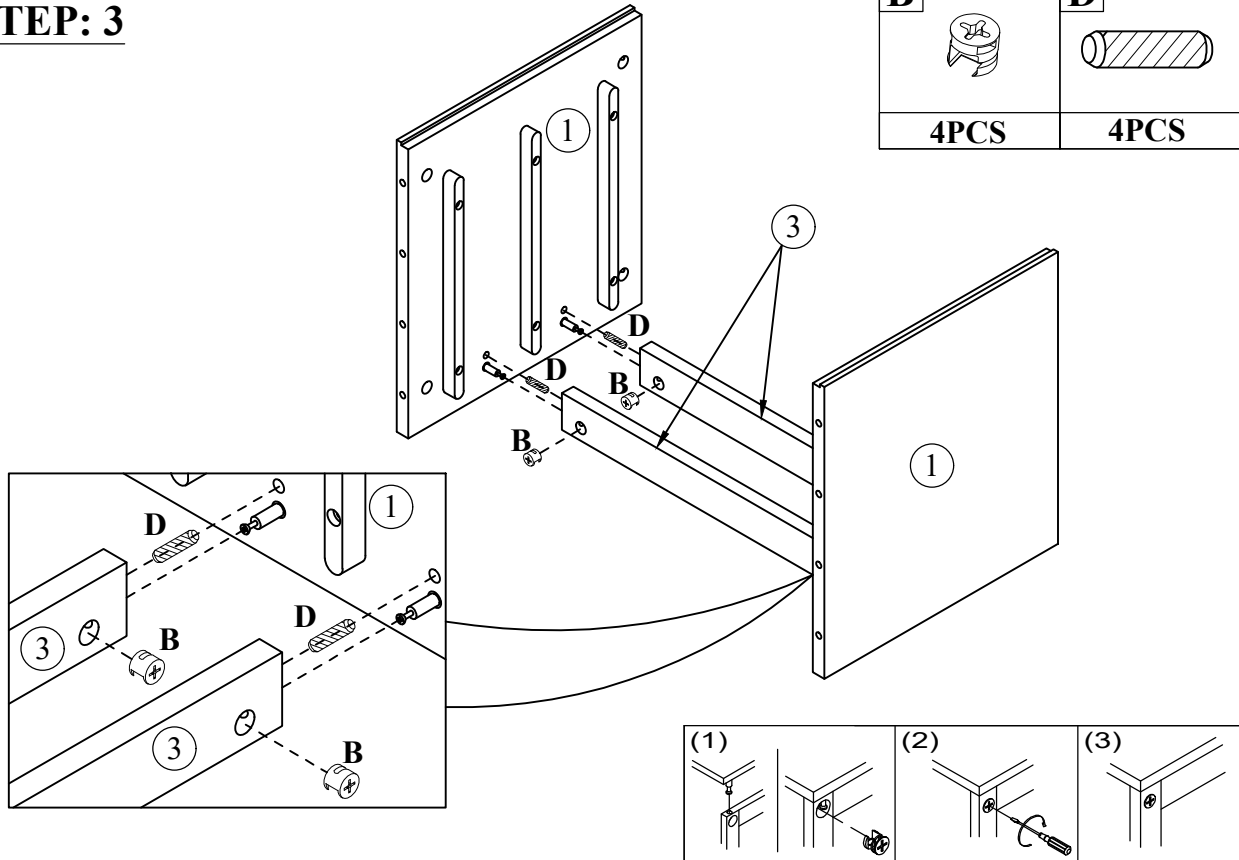
 ✓	 Don't lean ✗	 Don't over tighten ✗
--	---	---

STEP: 2

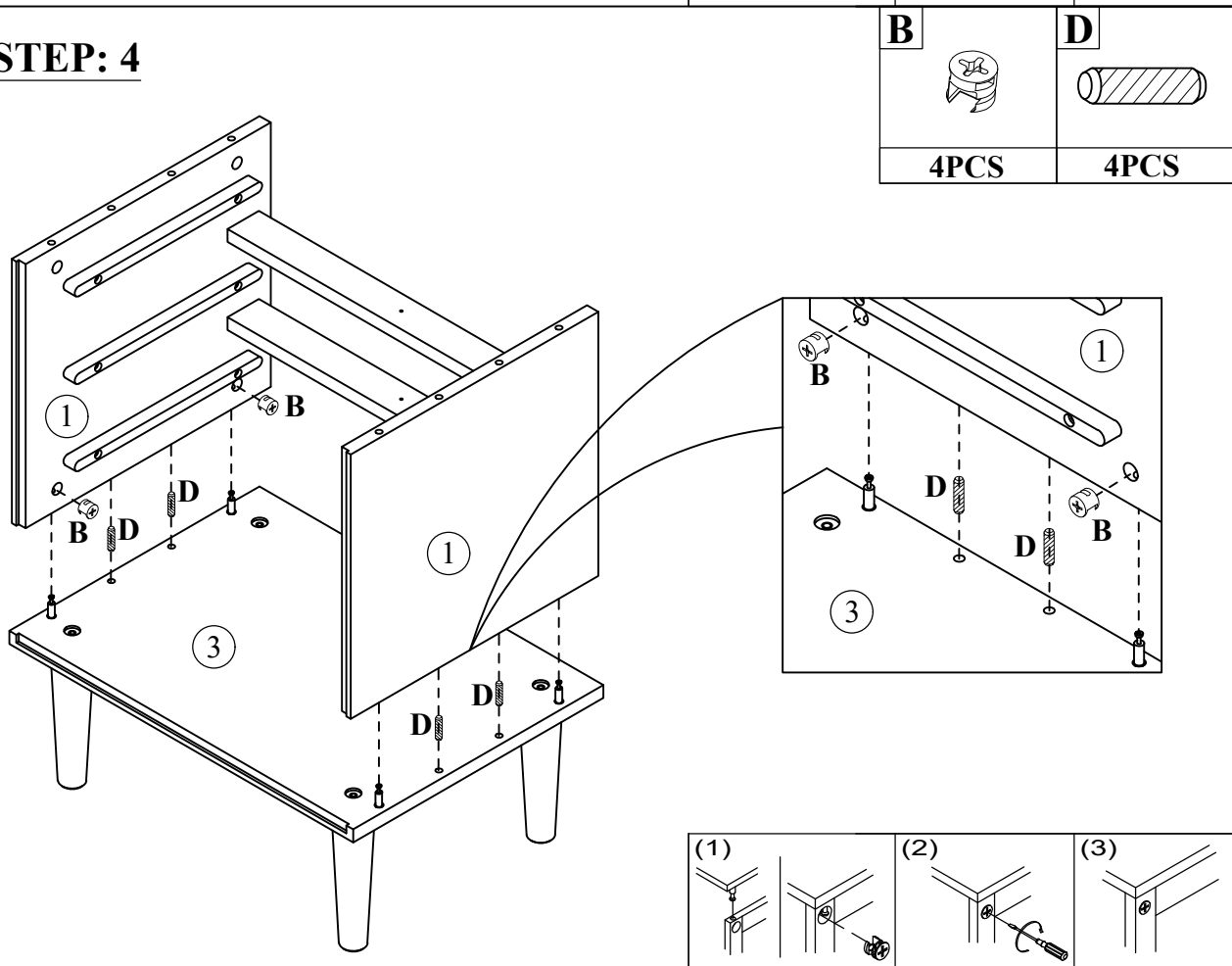
Remove The Caps



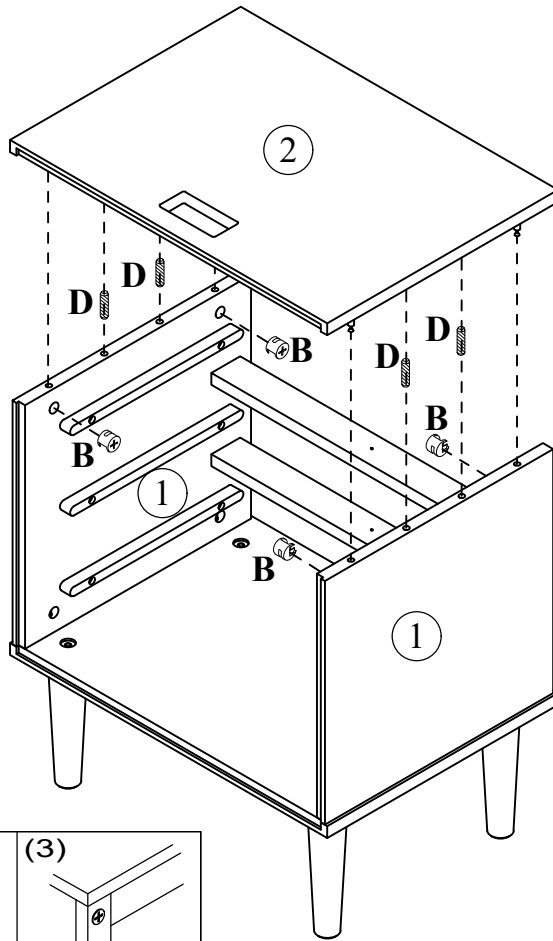
STEP: 3


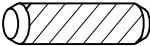


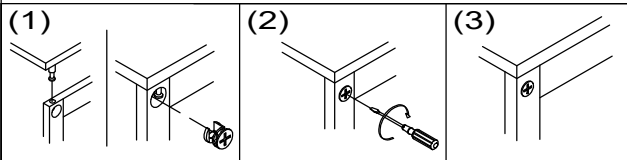
STEP: 4



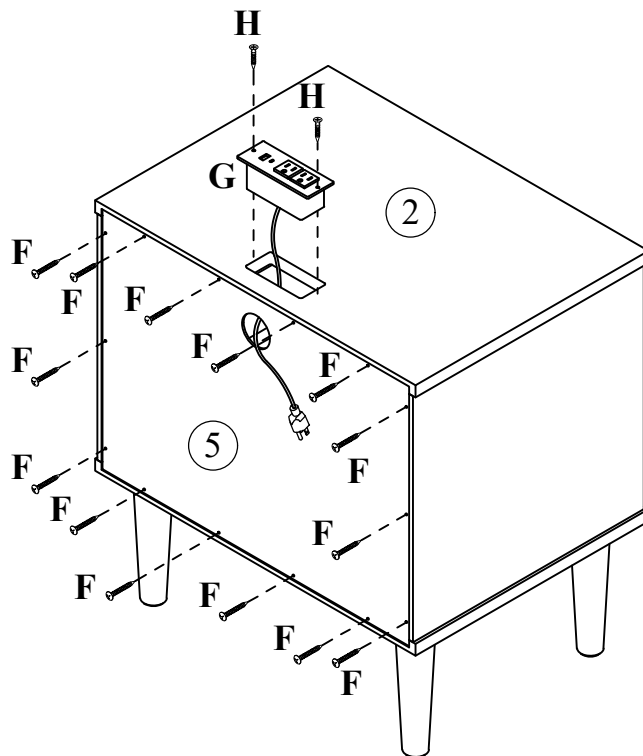
STEP: 5


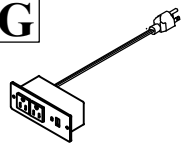



B		D	
	4PCS		4PCS

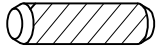



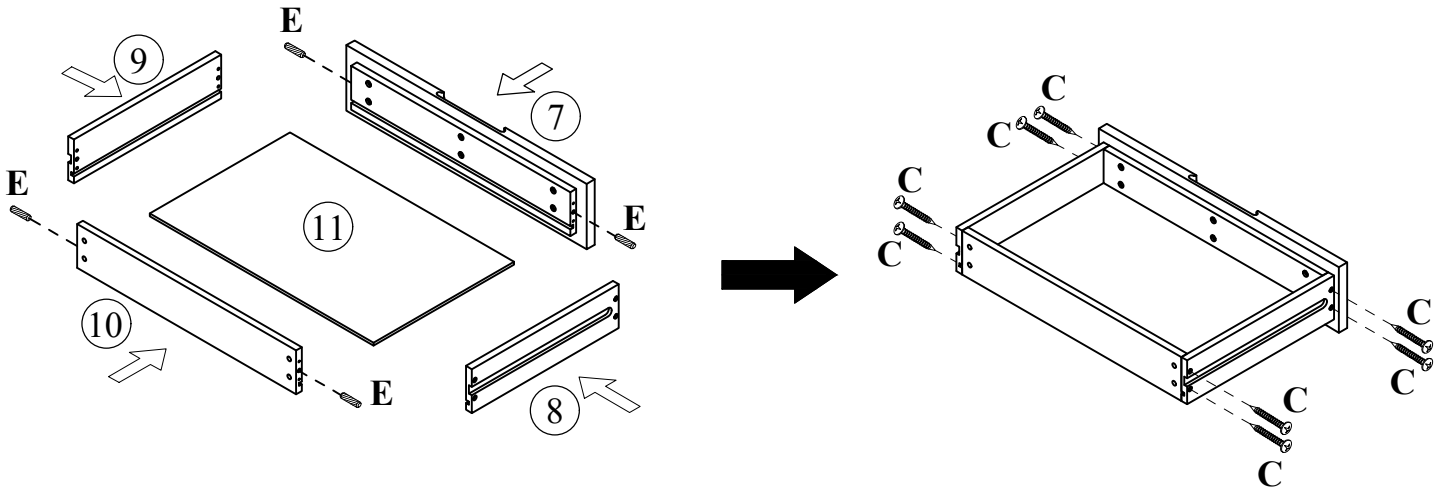
STEP: 6



F		G		H	
	14PCS		1PC		2PCS

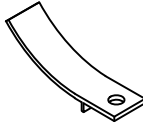

STEP: 7

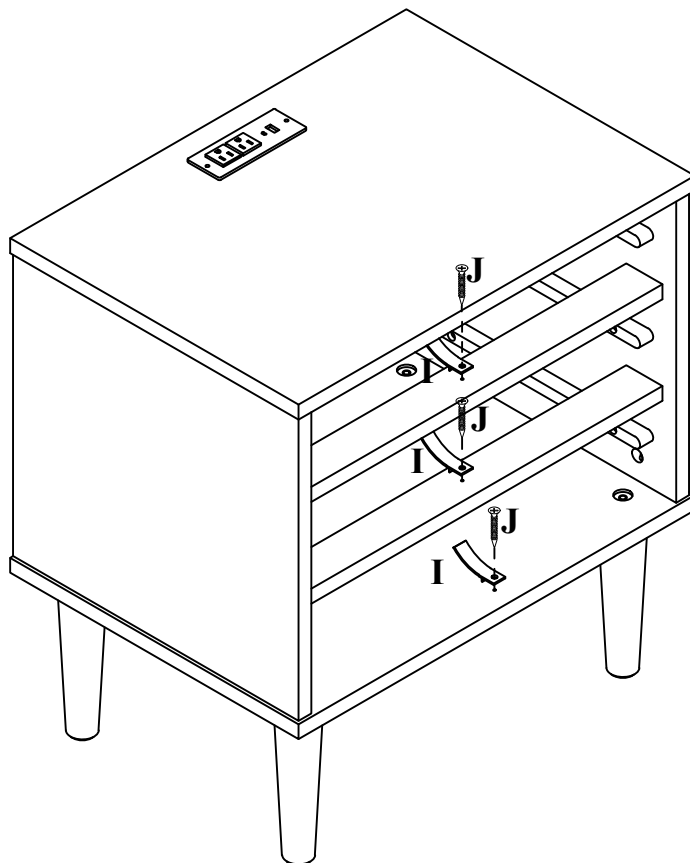
E		C	
12PCS		24PCS	



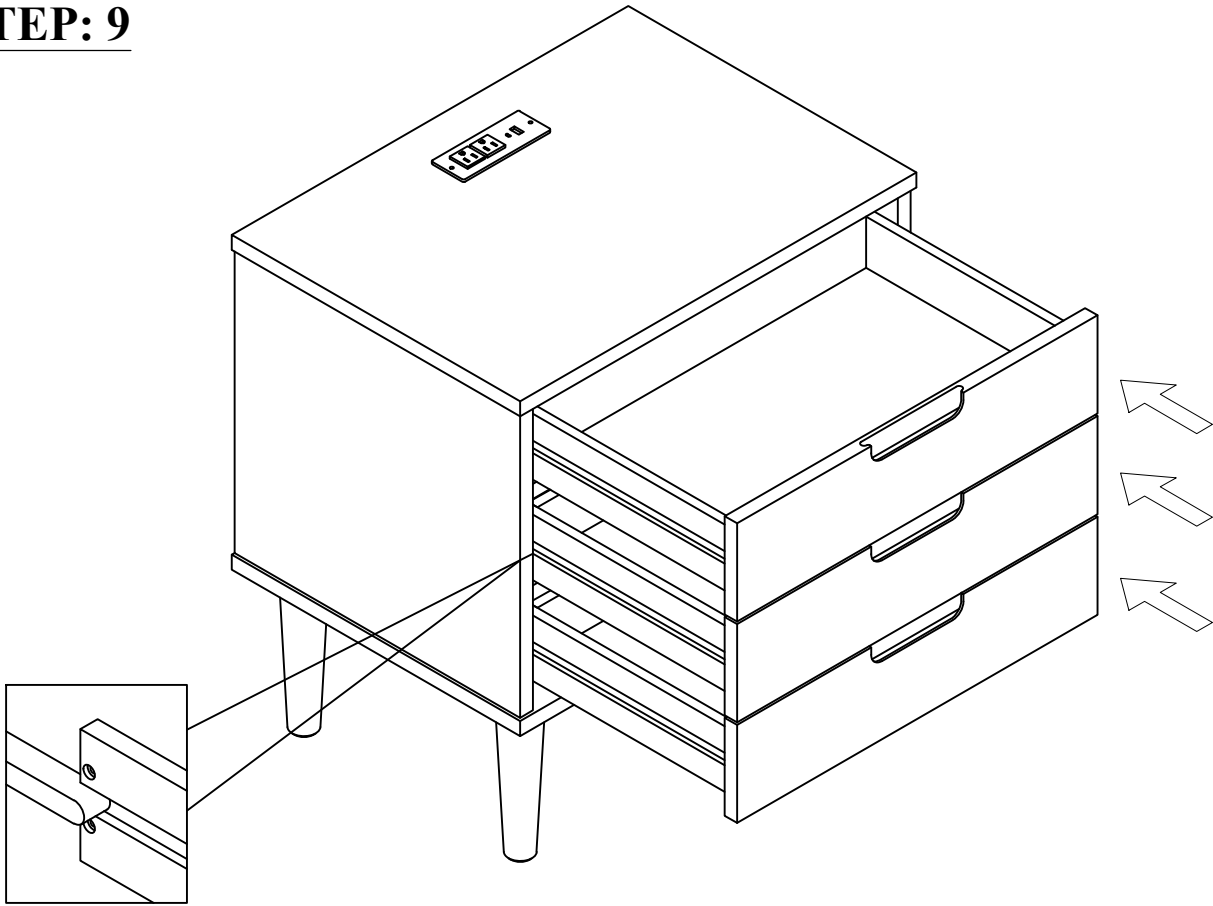
X3

STEP: 8

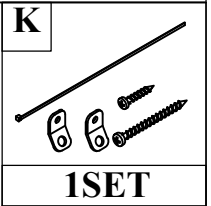
I		J	
3PCS		3PCS	



STEP: 9



STEP: 10



STEP: 11

