




**Gardening
Made Easier.
Anytime,
Anywhere.**


Contact Us

 +1 (866) 597-1888

 Vego Garden Academy

 hello@vegogarden.com

 vegogarden.com

 [vego_garden](https://www.instagram.com/vego_garden)

 Houston, TX



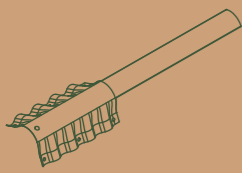
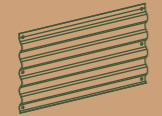
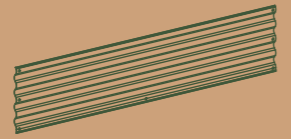

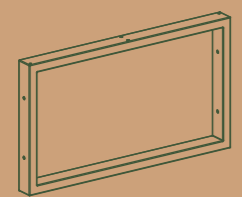
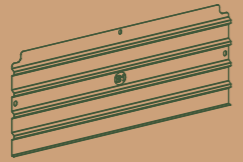
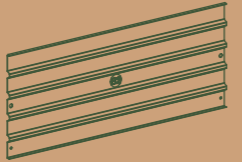
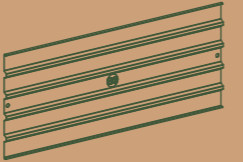
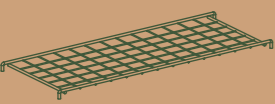







General Manual for Elevated Garden Bed 2.5ft x 10ft



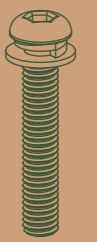


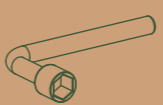

Gardening Made Easier. Anytime, Anywhere.

Copyright © 2025 Vego



Parts List

			
P1 Qty: 4	P2 Qty: 2	P3 Qty: 4	P4 Qty: 2
			
P5 Qty: 1	B1 Qty: 4	B2 Qty: 4	B3 Qty: 2
			
B4 Qty: 10	H1 Qty: 4	H2 Qty: 2	H3 Qty: 2
			
H4 Qty: 4	F1 M6x10 Qty: 34	F2 M6 Qty: 16	F3 M6x8 Qty: 24

			
F4 M6x16 Qty: 24	F5 M6 Qty: 12	F6 M6x35 Qty: 4	Z1 Qty: 16
			
T1 Qty: 1	T2 Qty: 1	SE Qty: 1	

Safety Precautions

This product may contain sharp metal corners and edges. To prevent injury:

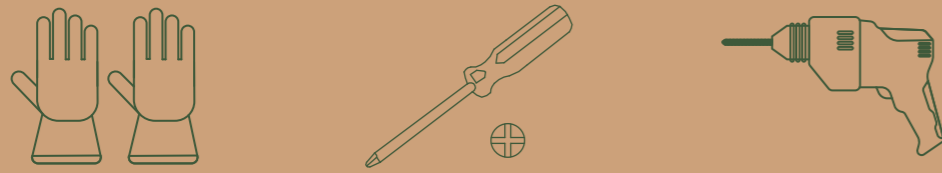
- Handle with care at all times
- Wear gloves, closed-toe shoes & long pants when handling
- Work on a stable, clean surface away from children and pets
- Follow all instructions carefully and use tools only as directed

If you are unsure about any step, pause and seek assistance.



Tips

- Additional tools are needed to complete this assembly:



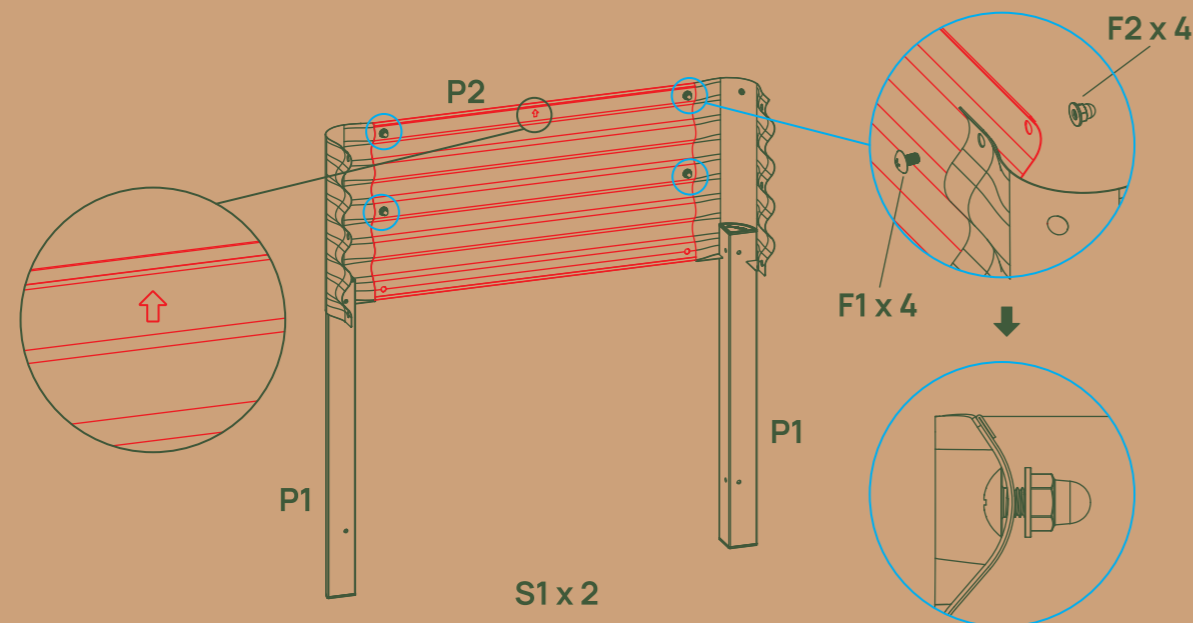
- We recommend two people work together to complete the assembly.
- During assembly, we recommend placing the unpacked box flat on the ground to serve as a protective mat.

Assembly Guide

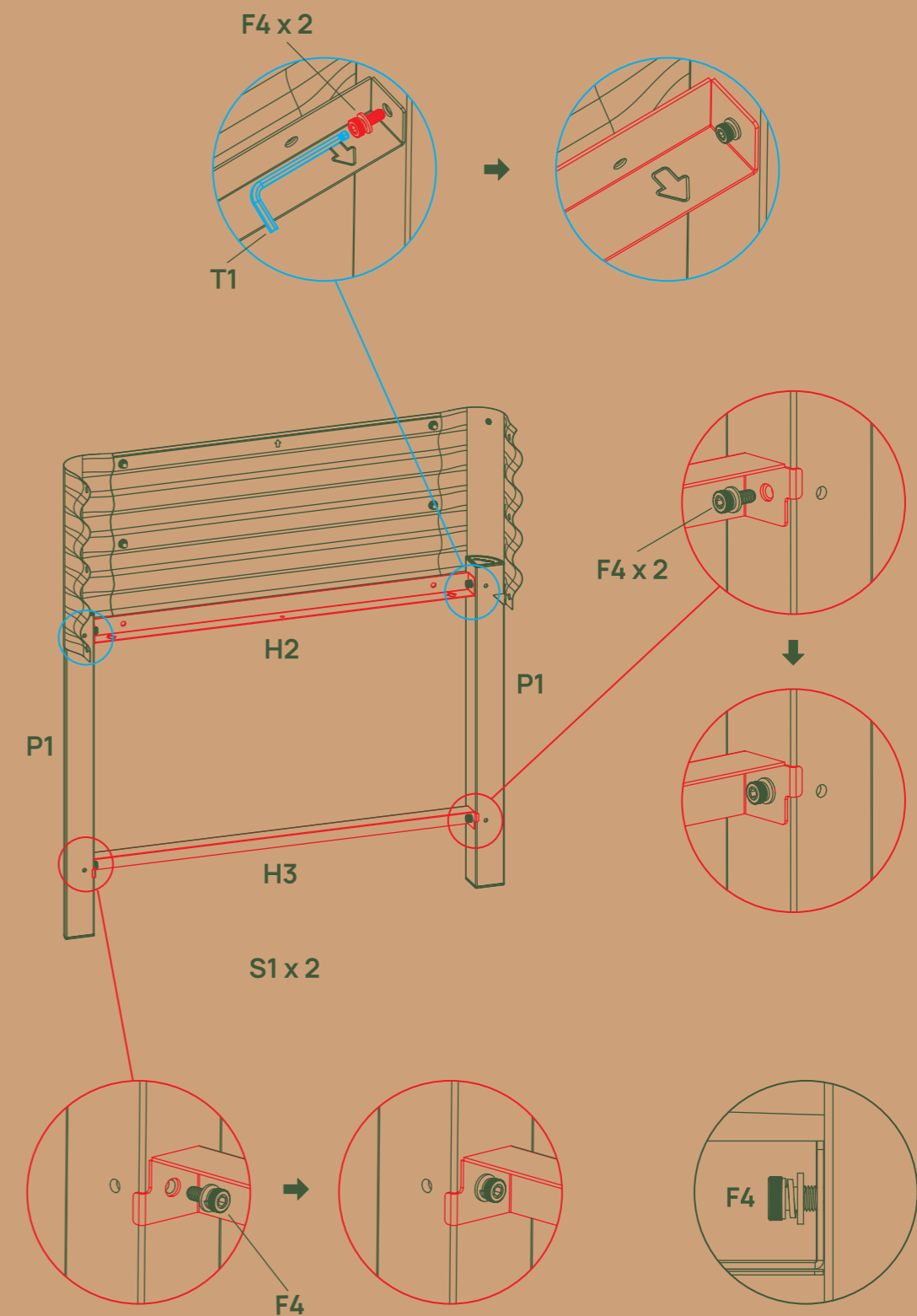
- 1 Assemble two S1s with the F1 bolts and F2 cap nuts, using them to attach the P1 legs and P2 panels. Install the top two rows only.

Notes:

- Make sure P2 panels are installed on the interior side, with the “UP” labels positioned inside the panels and facing upward.
- Do not tighten the bolts fully to allow for easier final assembly.



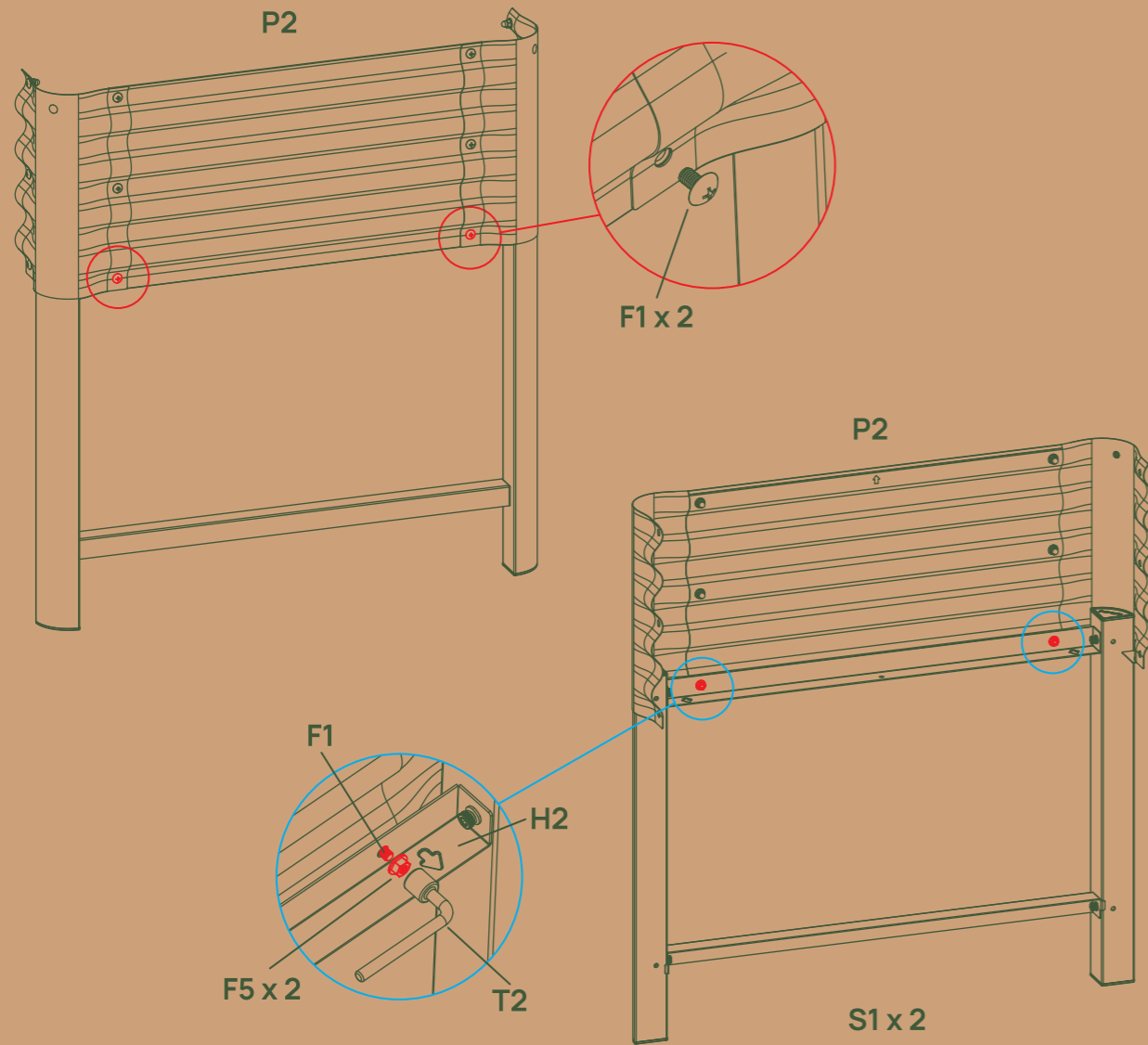
- 2 Use the T1 wrench and F4 bolts to attach H2 and H3 between the legs of each S1 assembly.



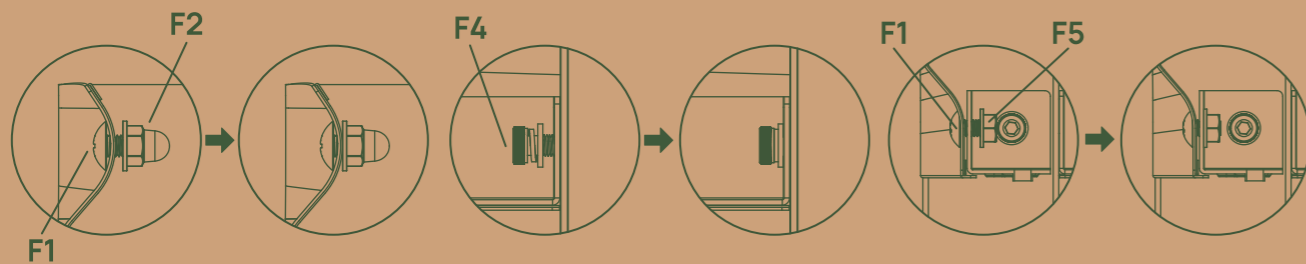
Note: Do not tighten the bolts fully to allow for easier final assembly.

3 Using the T2 wrench, install F1 bolts through the pre-drilled holes in the P2 panels and H2 parts, securing with F5 nuts.

Note: If the holes do not align, slightly loosen the top two rows of bolts and cap nuts, and gently adjust P1, P2, and H2 to align the holes.



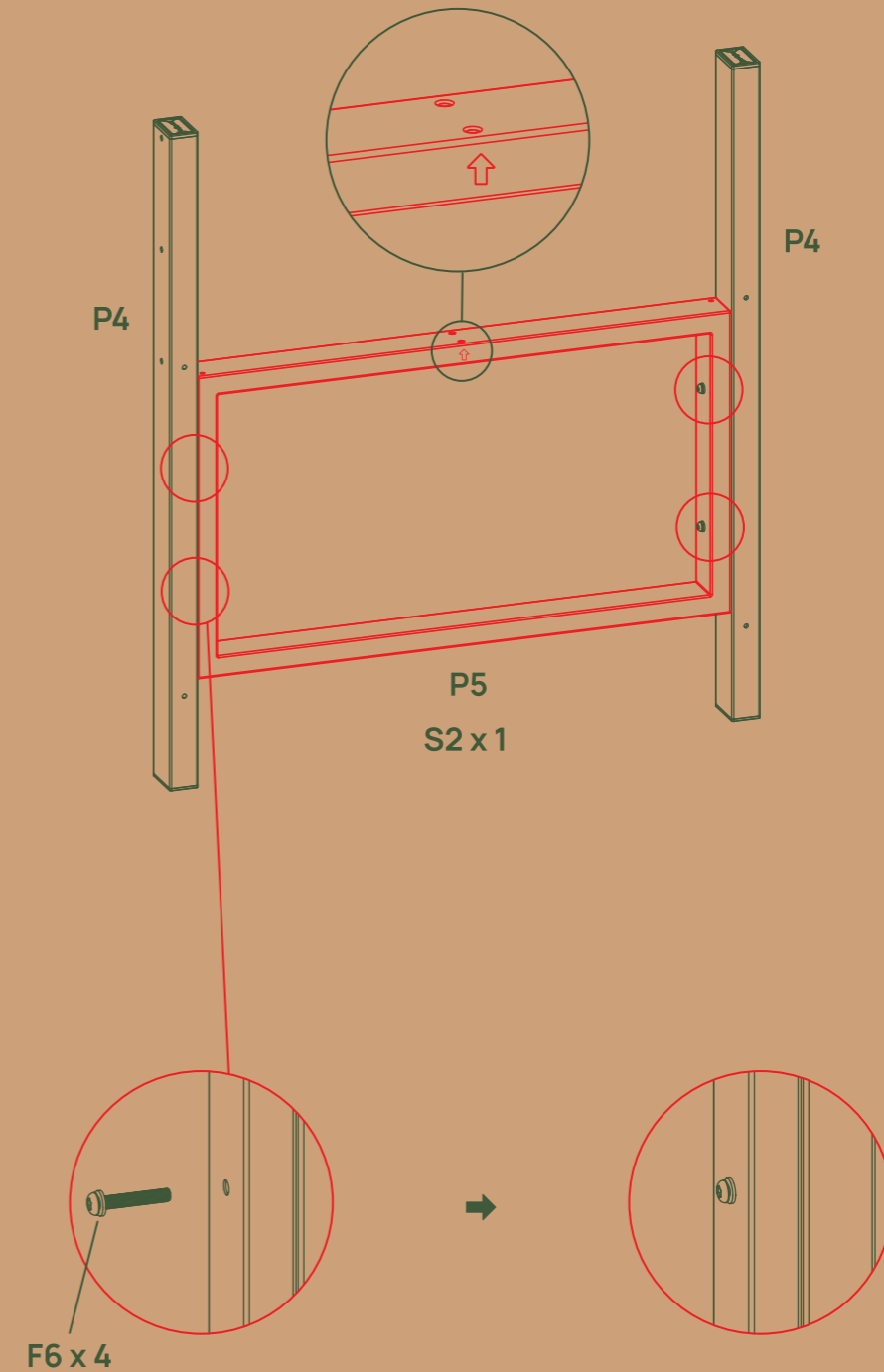
After completing this step, tighten all the bolts and nuts on S1.



4 Assemble S2 by using F6 bolts to attach the square frame (P5) to the two P4 pieces.

Notes:

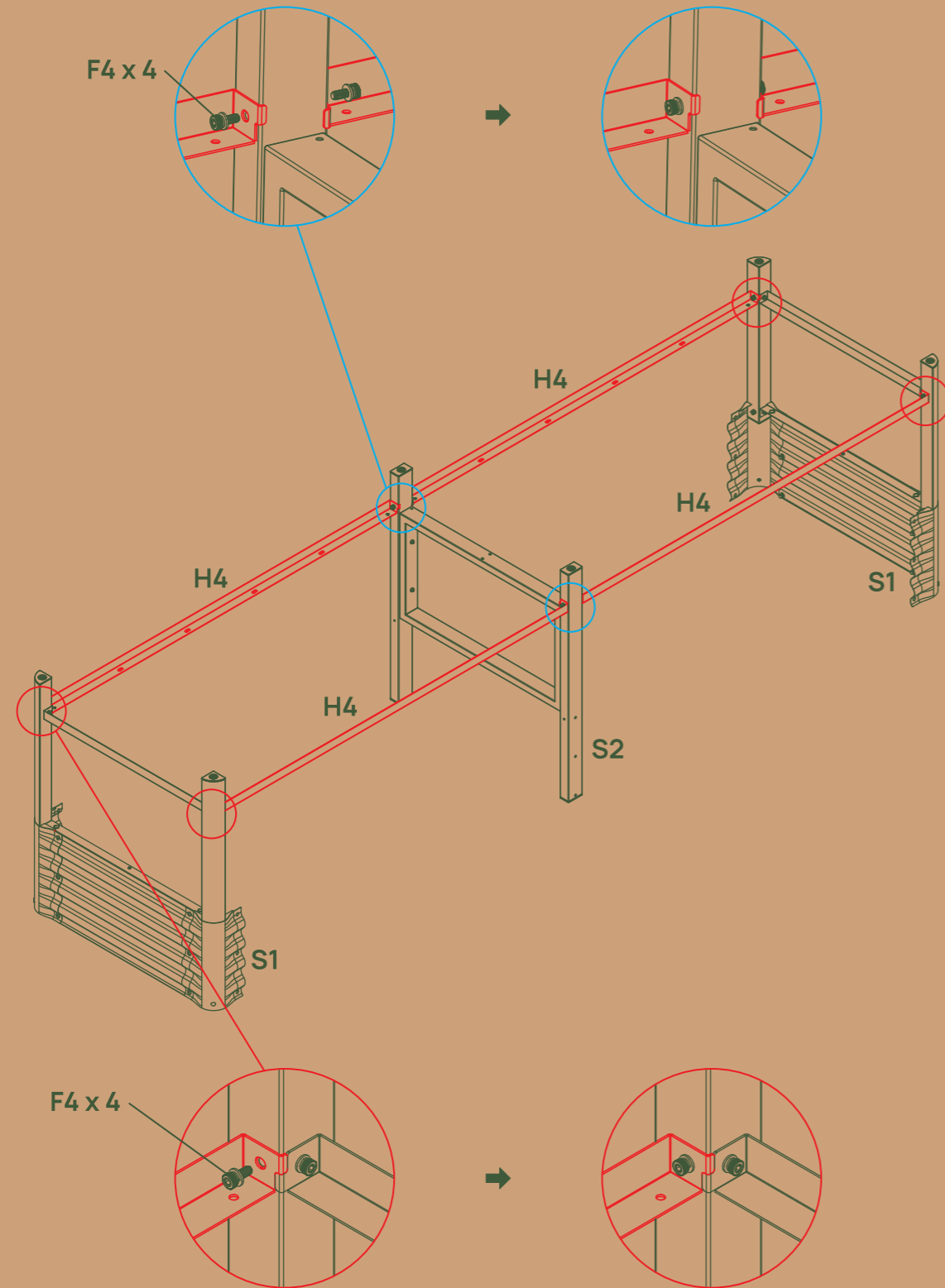
- Make sure the side of P5 with the holes in the middle faces upward.
- Fully tighten the F6 bolts.



5 Use F4 bolts to connect and secure H4, S1 and S2 in place.

Notes:

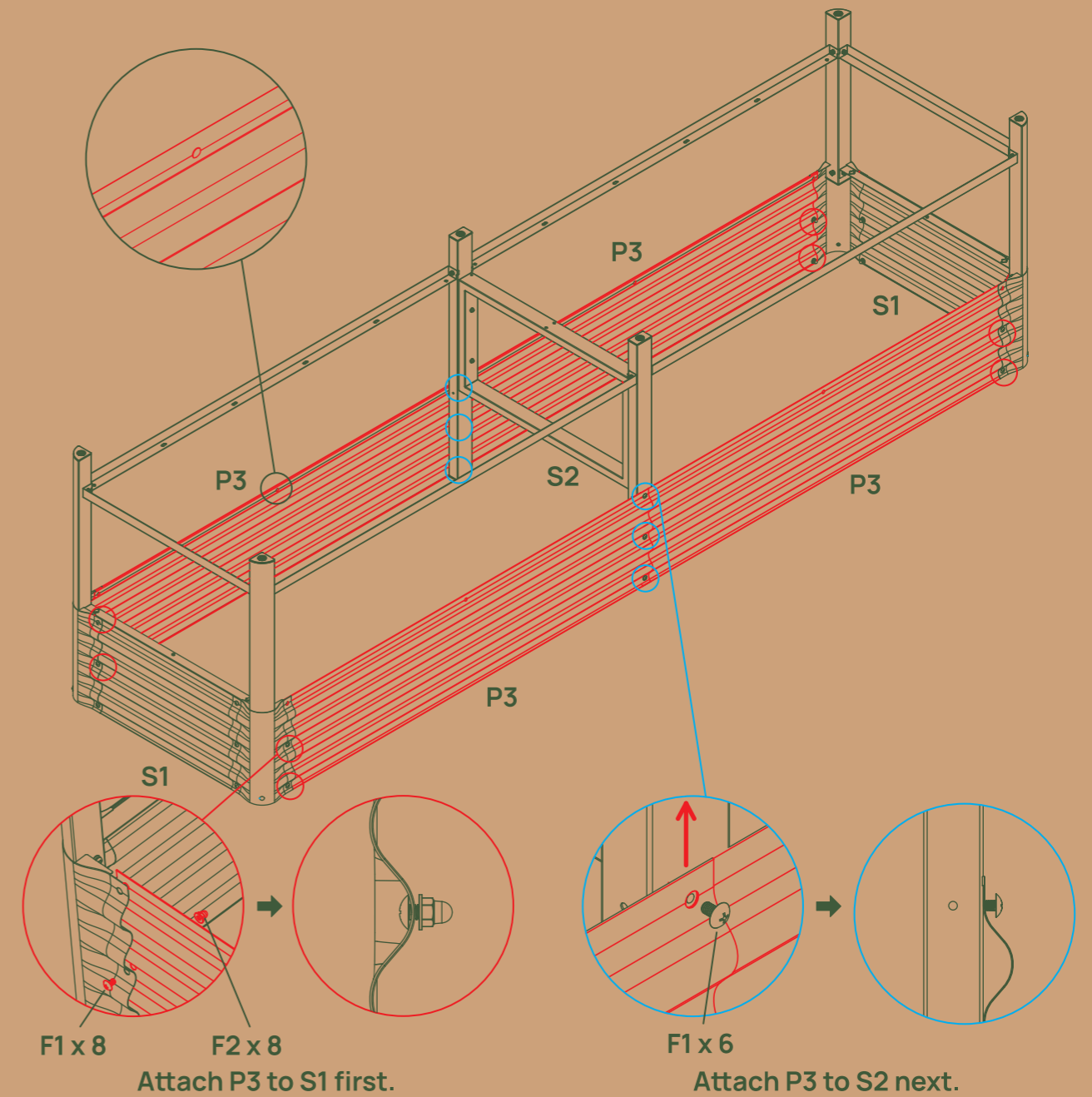
- Make sure the side of H4 with holes faces the top of the bed.
- Fully tighten the F4 bolts.



6 Orient the P3 panels between S1 and S2 such that the pre-drilled holes in the center of the panels are facing the bottom of the bed. Attach the P3 panels with F1 bolts and F2 cap nuts, using all three holes in the middle joint, and the two holes closest to the top of the bed for all other joints.

Notes:

- To better align the S2 and P3 holes, lift the bed slightly as you insert bolts.
- Do not tighten the bolts fully, to allow for easier final assembly.

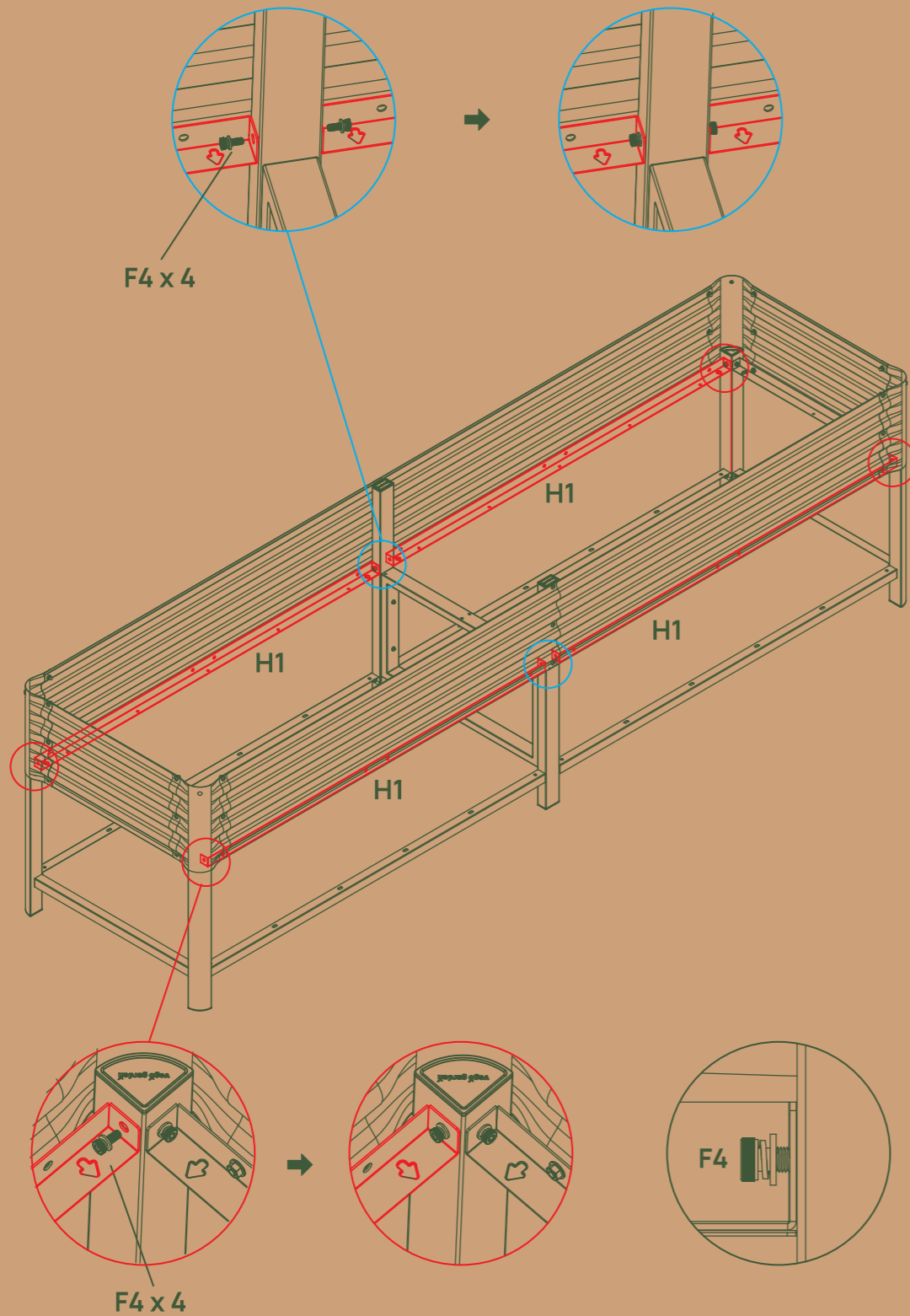


Note: Make sure the P3 panels are installed on the interior side.

7 Use the T1 wrench and F4 bolts to attach the four H1 pieces between the legs. Do not tighten the bolts fully to allow for easier final assembly.

Note:

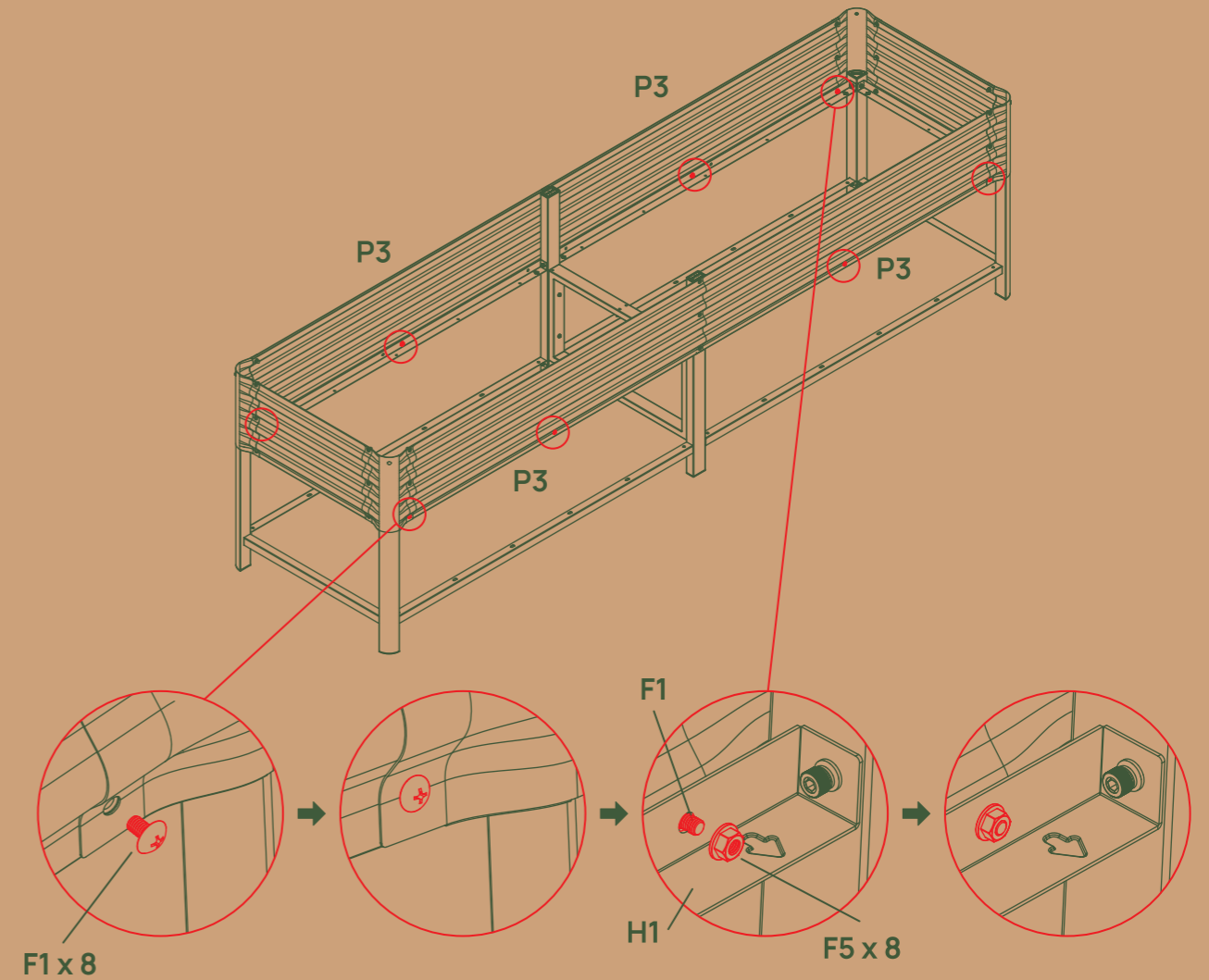
Make sure the arrows on both ends of H1 point toward the inside of the garden bed.



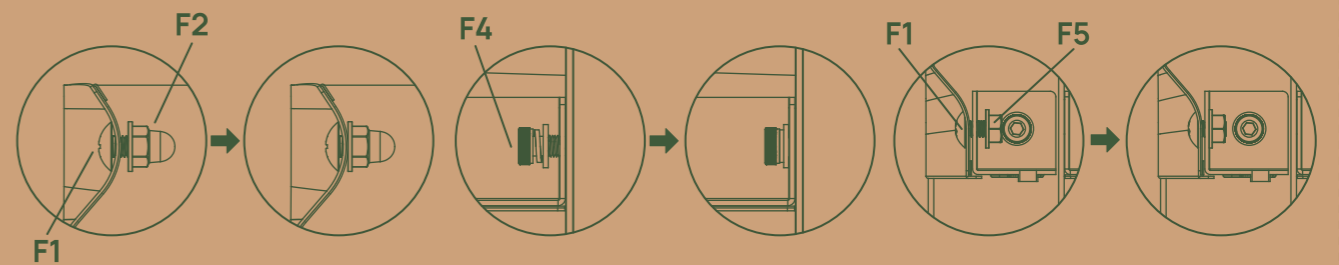
8 Use F1 bolts and F5 nuts to secure the bottom row of holes on the panels. First, hand-tighten all F1 bolts and F5 nuts by 2-3 turns, then fully tighten them using the T2 wrench.

Note:

If the holes of P3 and H1 do not align easily during installation, slightly loosen the bolts connecting P3 and H1, then gently move P3 and H1 to align the holes.



After completing this step, securely tighten all the bolts and nuts.

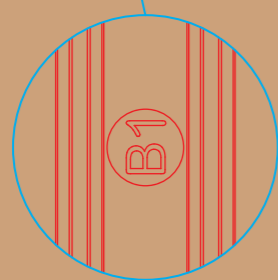
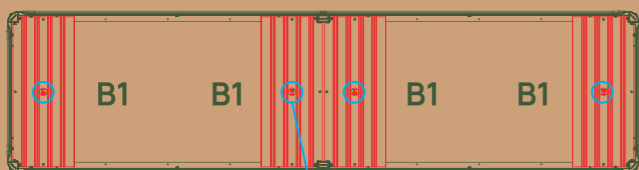


9 Install the TerraFlow floor.

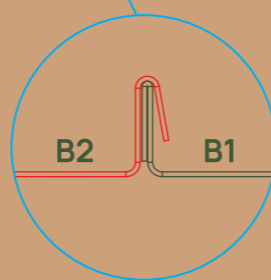
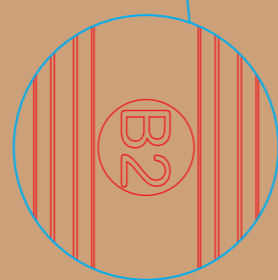
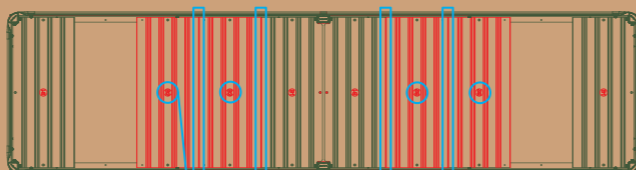
Note:

To make installation easier, first thread all F3 bolts 2-3 turns, then fully tighten.

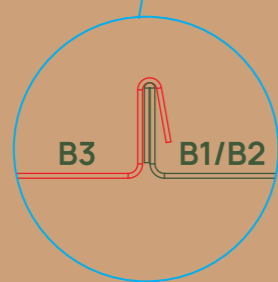
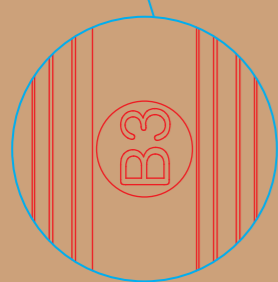
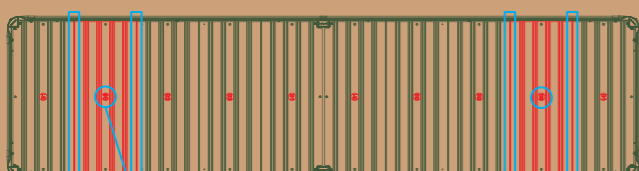
Insert the B1 panels, ensuring the labels face upward.



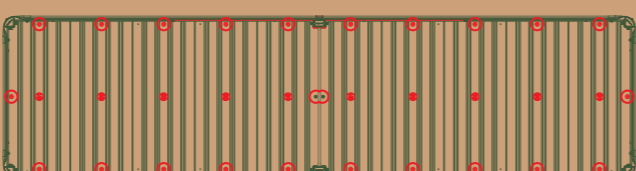
Insert the B2 panels, ensuring the labels face upward.



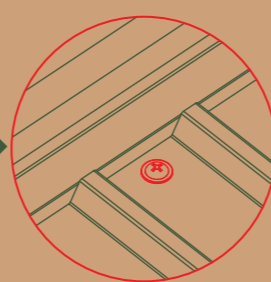
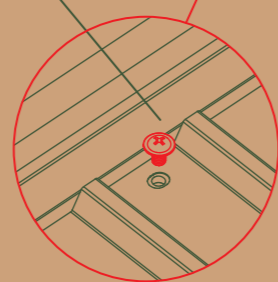
Insert the B3 panels ensuring the labels face upward.



Use a phillips screwdriver and F3 bolts to secure the TerraFlow floor in place.



F3 x 24



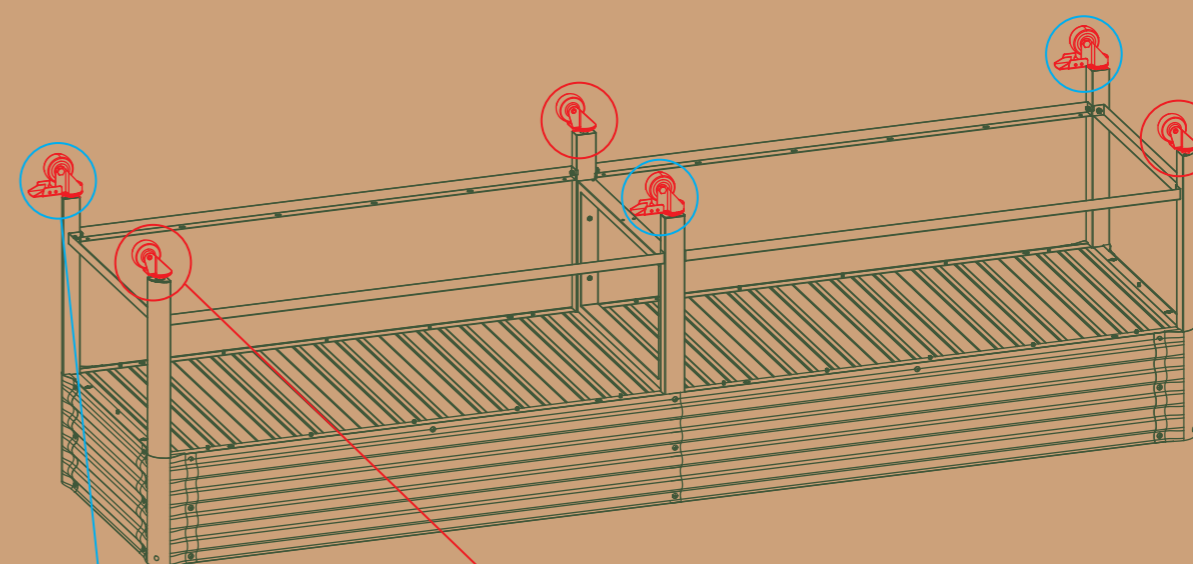
Attach The Casters

If you purchased the Elevated Garden Bed with casters, please follow the steps below to install them. If not, you can skip this step.

First turn the Elevated Garden Bed upside down, on a piece of cardboard or protective surface. Next, hand-tighten the caster's bolts into the holes on the bottom of the metal legs until they can no longer turn.

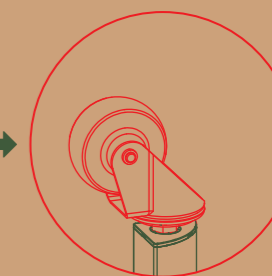
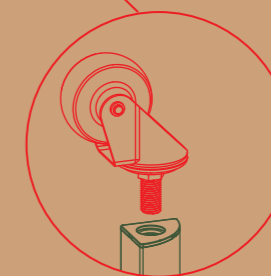
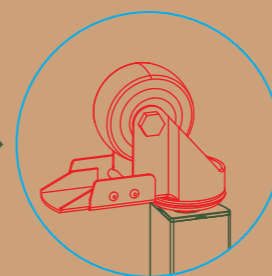
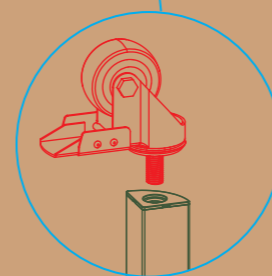
Notes:

- Make sure the locking casters and non-locking casters are placed on opposite legs in each row, as shown.
- The casters are shipped separately, and are not included in the Elevated Garden Bed packaging.



Locking Casters

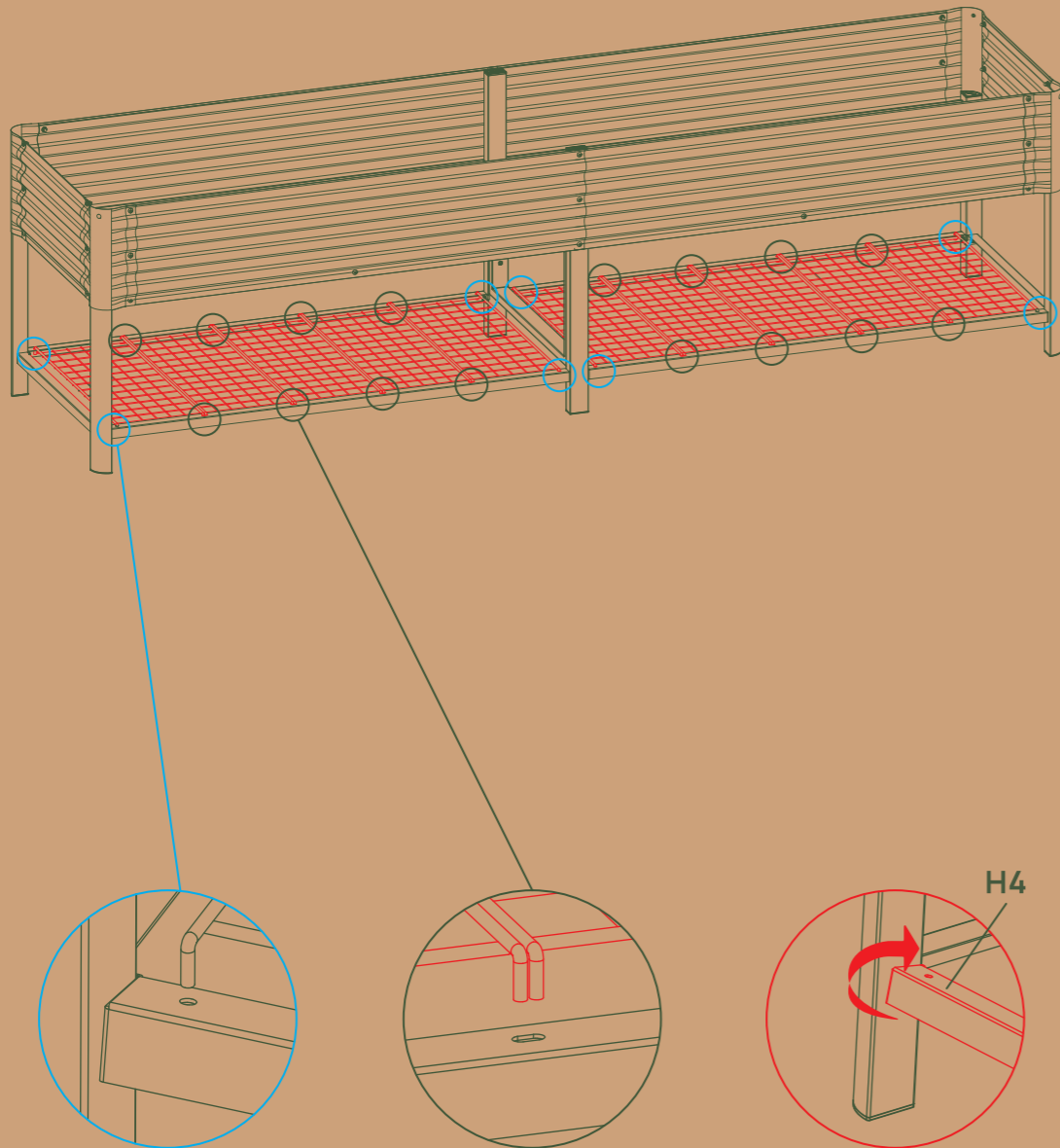
Non-Locking Casters



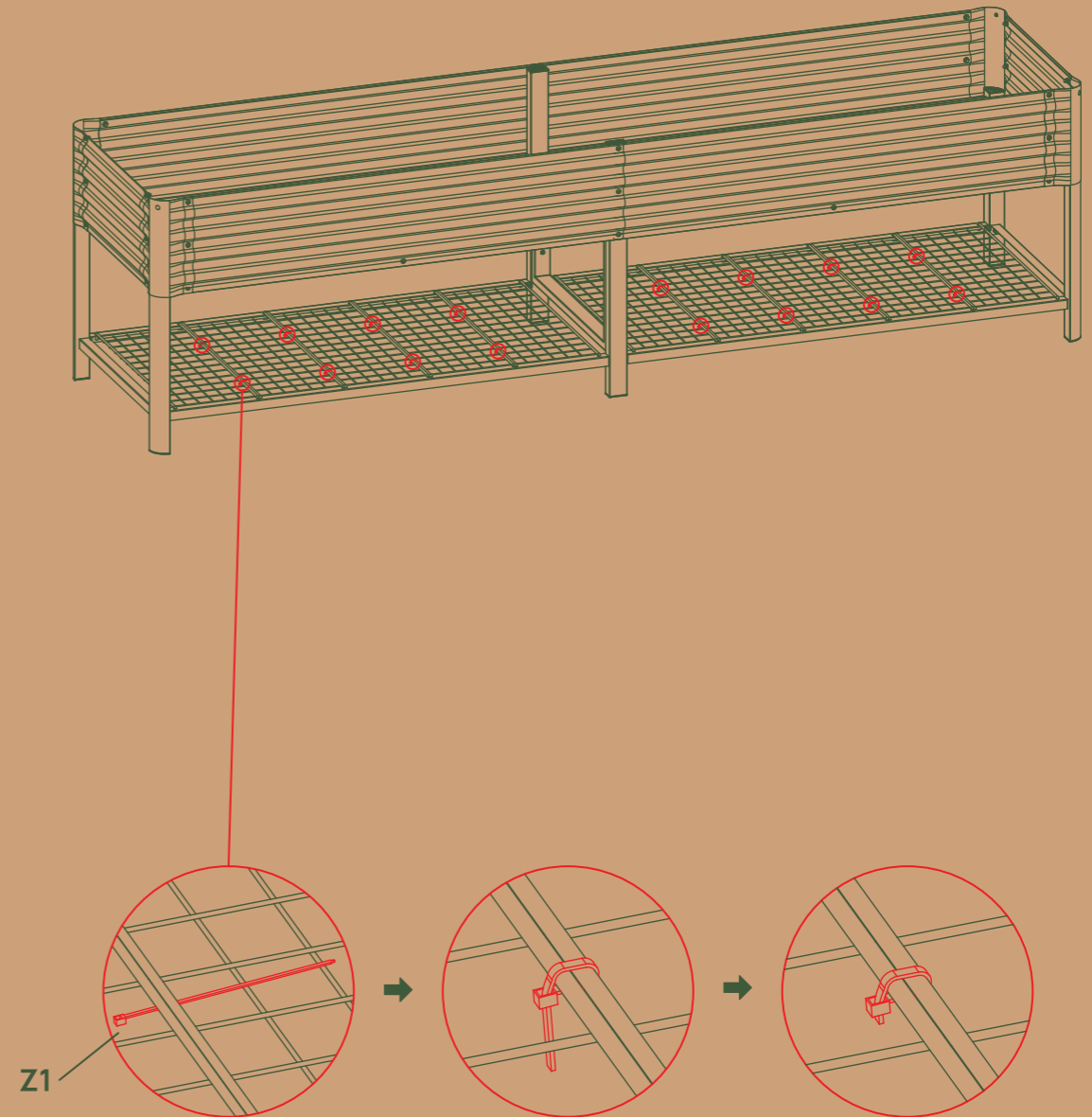
10 Insert the metal rack into the holes on H4.

Note:

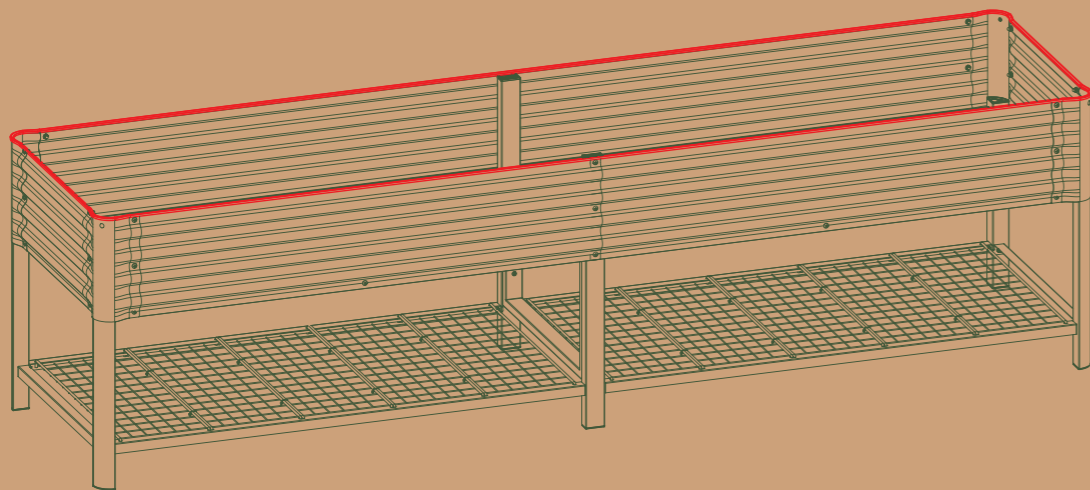
If the holes are misaligned, gently rotate H4 and try again.



11 Use the Z1 cable ties to secure the rack pieces to each other as shown.



12 Press the safety edging along the top edge of the bed to secure.



Important Caster Note

For optimal use, safety, and to prolong the lifespan of the casters please adhere to the follow guidelines:

- Always engage the casters' brakes when the garden bed is stationary to prevent unintended movement.
- Avoid depressions or grooves deeper than 0.4 inches, as they may cause the casters to become unstable.
- Remove any small stones, debris, or obstacles that could hinder movement or damage the casters over time.
- Use only on the suitable surfaces listed below:

Suitable Surfaces

- Flat, stable surfaces
- Concrete
- Wooden & composite decks
- Pavers & tile

Unsuitable Surfaces

- Slopes or inclines
- Soft ground such as grass, soil, or sand
- Uneven gravel or rocky areas

Weight Safety Warning

Elevated garden beds measuring 2.5 ft x 10 ft feature a 32" tall structure and an extra-large planting area, making them substantially heavier when filled. The combined weight of soil, water, and plants can exceed 2,200 lbs (1,000 kg) per unit, depending on soil type and moisture content.

Before installing this product on any raised structure—such as a deck, balcony, or rooftop—you must consult a qualified professional, such as a structural engineer, to ensure the surface can safely support the load.

To ensure safe use:

- Assemble on a flat and stable surface only.
- Position the bed in an area where it is inaccessible to children and pets, as it poses a climbing risk.
- If the unit is equipped with wheels, it must be used only on solid, level ground. Uneven or soft surfaces may cause the wheels to sink or get stuck, making movement difficult or unsafe.

