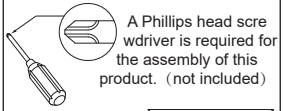
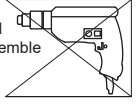


## You need

### ① Tools required



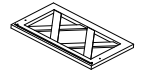
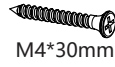
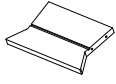

Power tools should not be used to assemble this product.

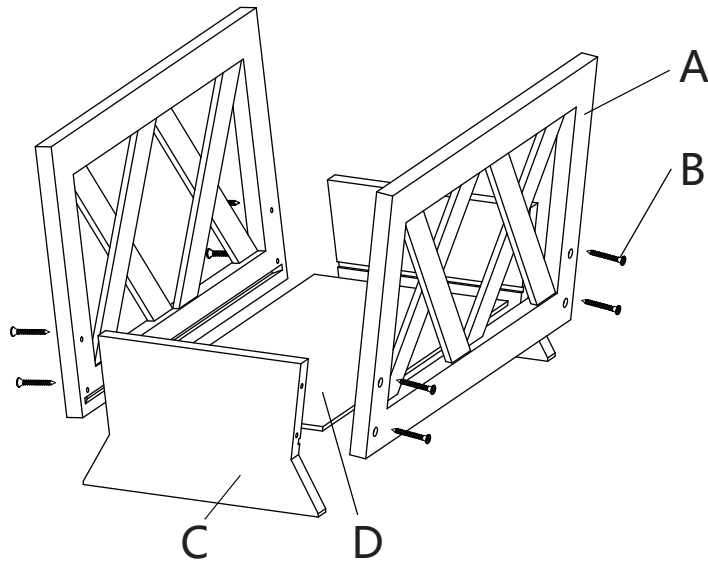


### ② 1 person is needed



## Hardware List

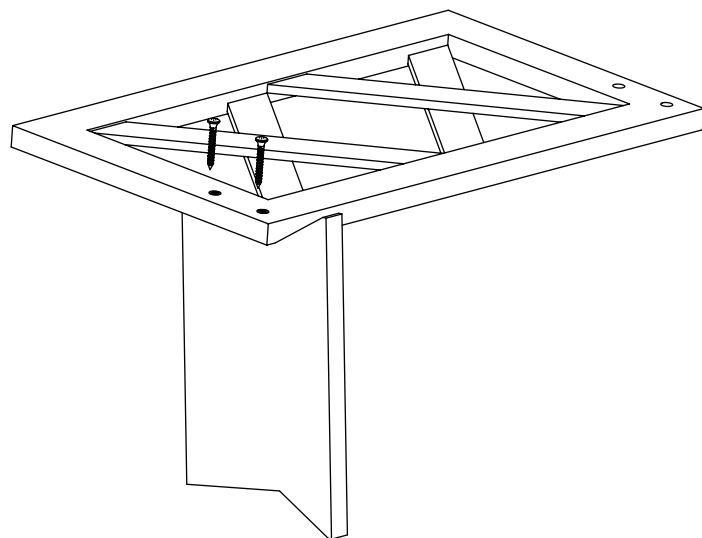
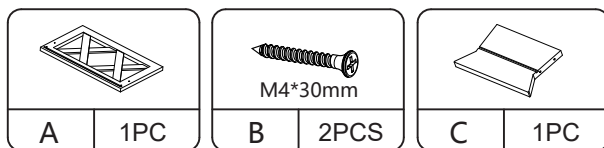
			
A	M4*30mm	C	D
2PCS	8PCS	2PCS	1PC



PRODUCT ASSEMBLY

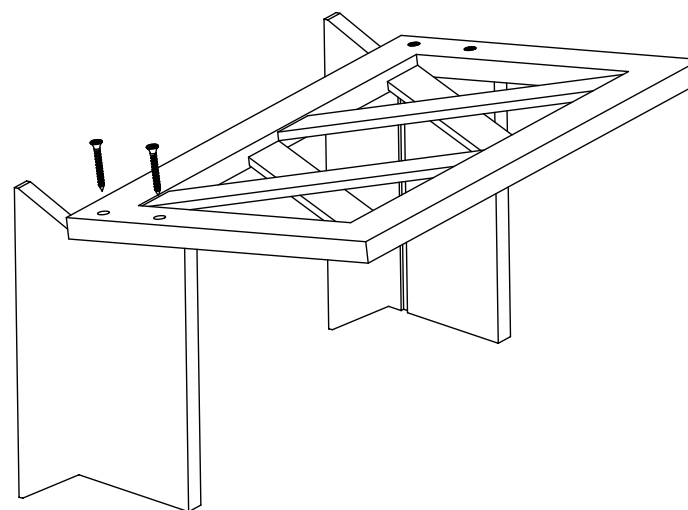
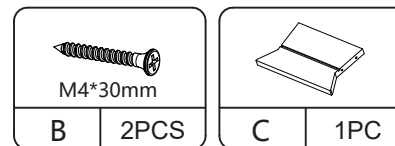
⚠ Check the package contents before getting started!

STEP 1

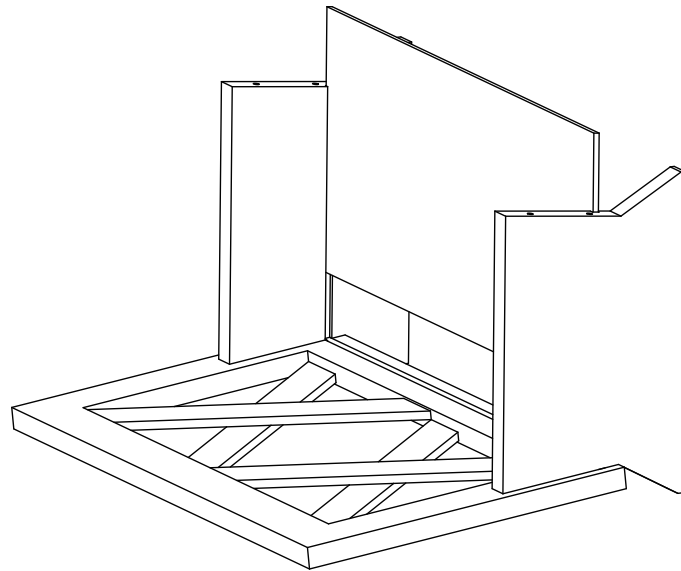
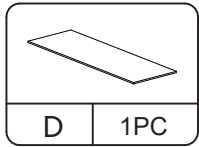


PRODUCT ASSEMBLY

STEP 2



### STEP 3



### STEP 4

