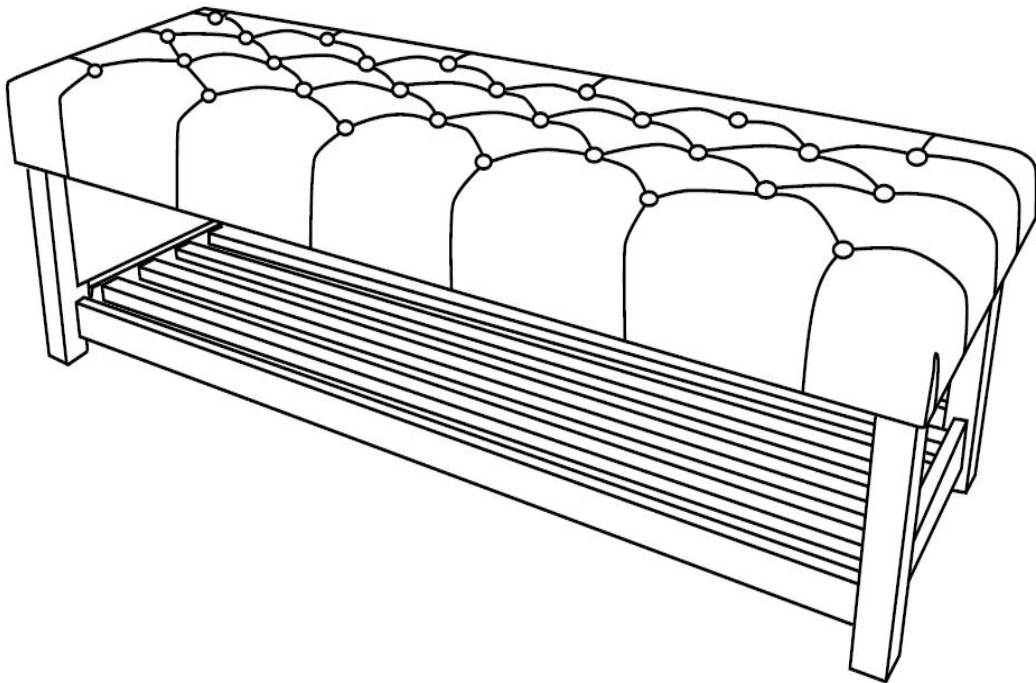
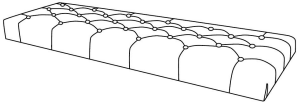




Assembly Instructions






Caution : You must read this before you proceed



Parts List

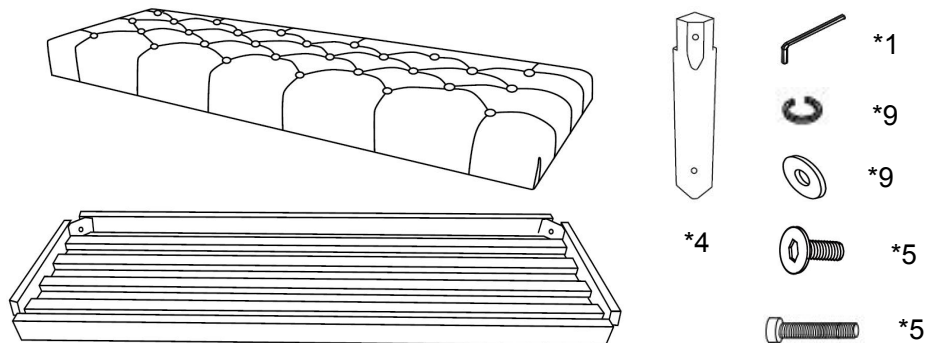
Label	Picture	Description	QTY
A		Ottoman Seat	1
B		Ottoman Base	1
C		Leg	4

Hardware

Label	Picture	Description	QTY
①		Bolt(M8*50MM)	5
②		Bolt(M8*25MM)	5
③		Flat Washer Ring	9
④		Washer Ring	9
⑤		Allen Wrench	1

Assembly Preparation

Before Beginning Assembly:



- Read instructions, cover to cover-



- Have 2 adults on hand for assembly-



- Do not assemble on flooring or carpet-



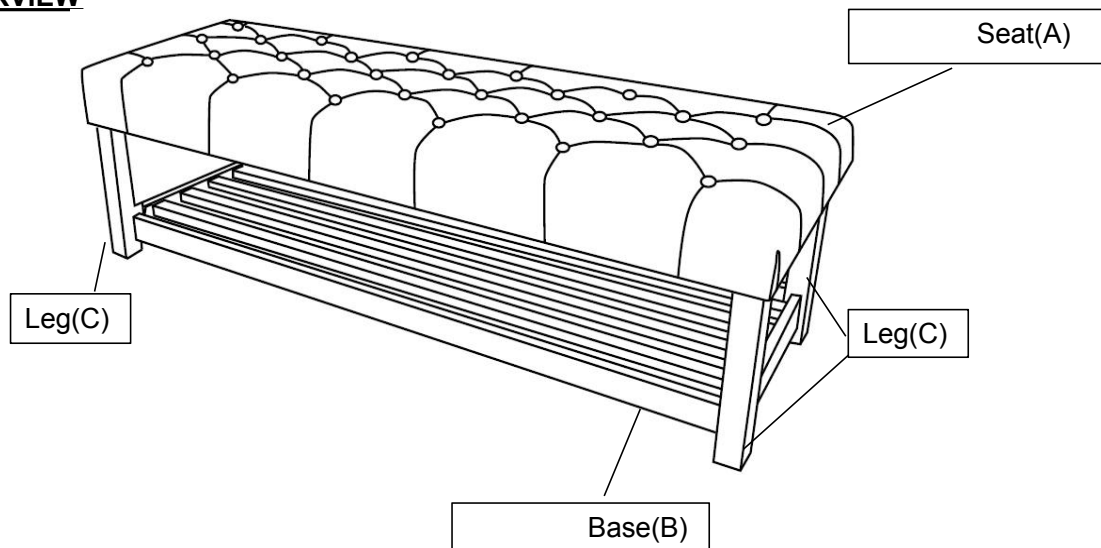
- Assemble on a clean non-marring surface (packing foam)-



- Save all packaging until finished-

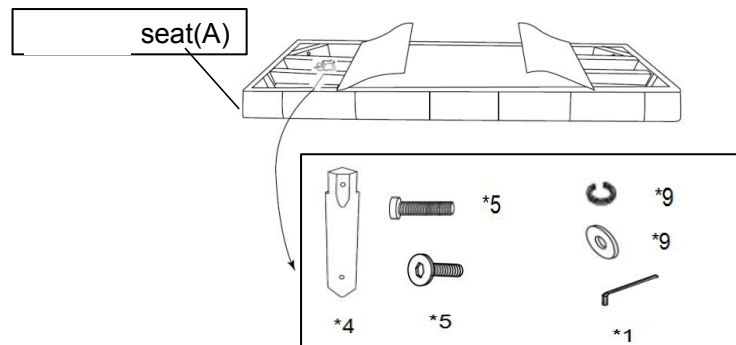
Assembly Steps

OVERVIEW



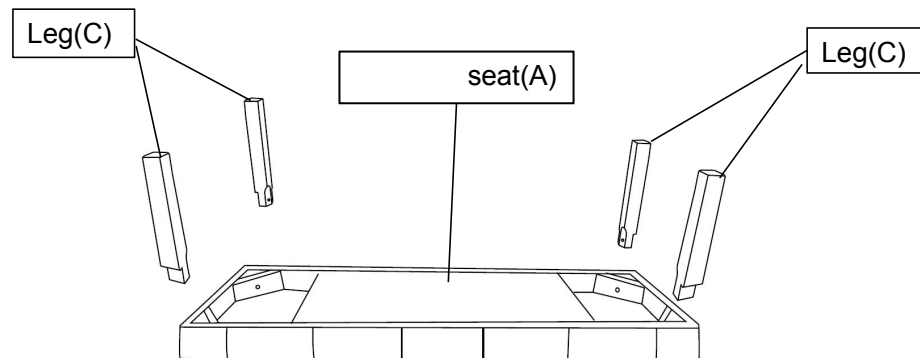
This has multiple parts and may require up to 30 minutes to assemble. To give you an overview of the ottoman parts, the above picture is to help you put the various parts into perspective. Please read through the instructions to familiarise yourself with the parts and steps before assembly.

Step 1



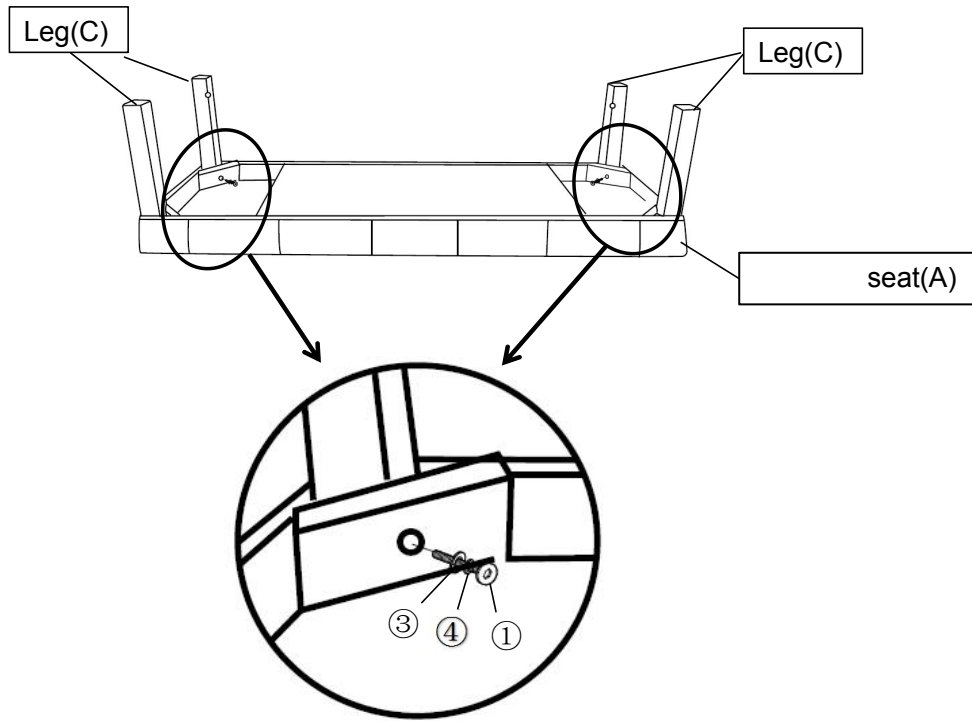
Place the Seat(A) flat on the floor with the base facing you. Peel off the Black non-woven fabric on the underside of the Seat(A). Retrieve the package that is stored inside the Seat(A) housing. Inside the package - you will find the Hardware package and Legs(C) as shown above.

Step 2



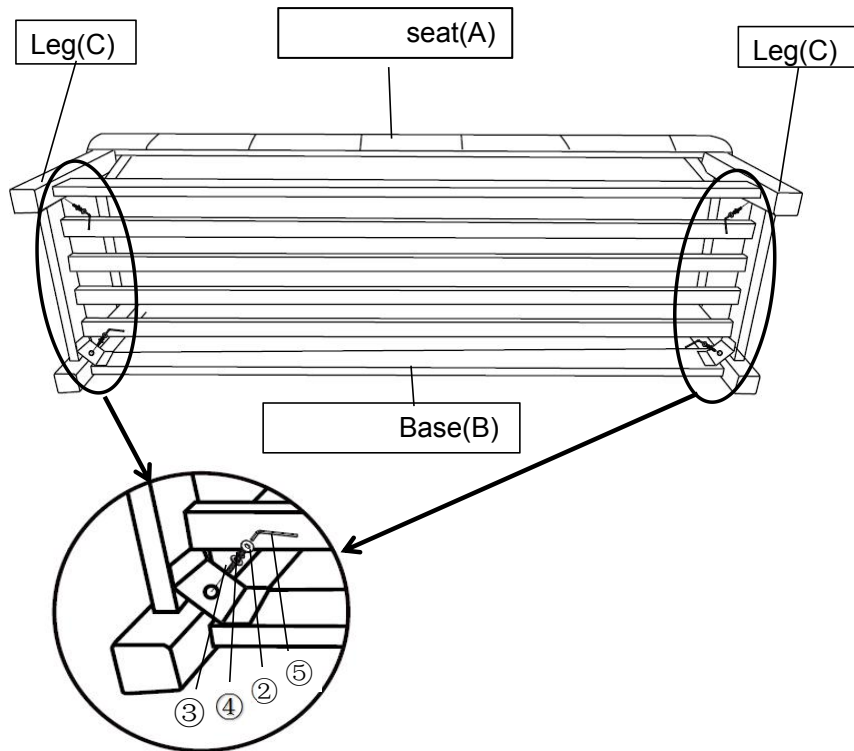
Install the Leg(C) into the seat(A) as shown in above picture.

Step 3



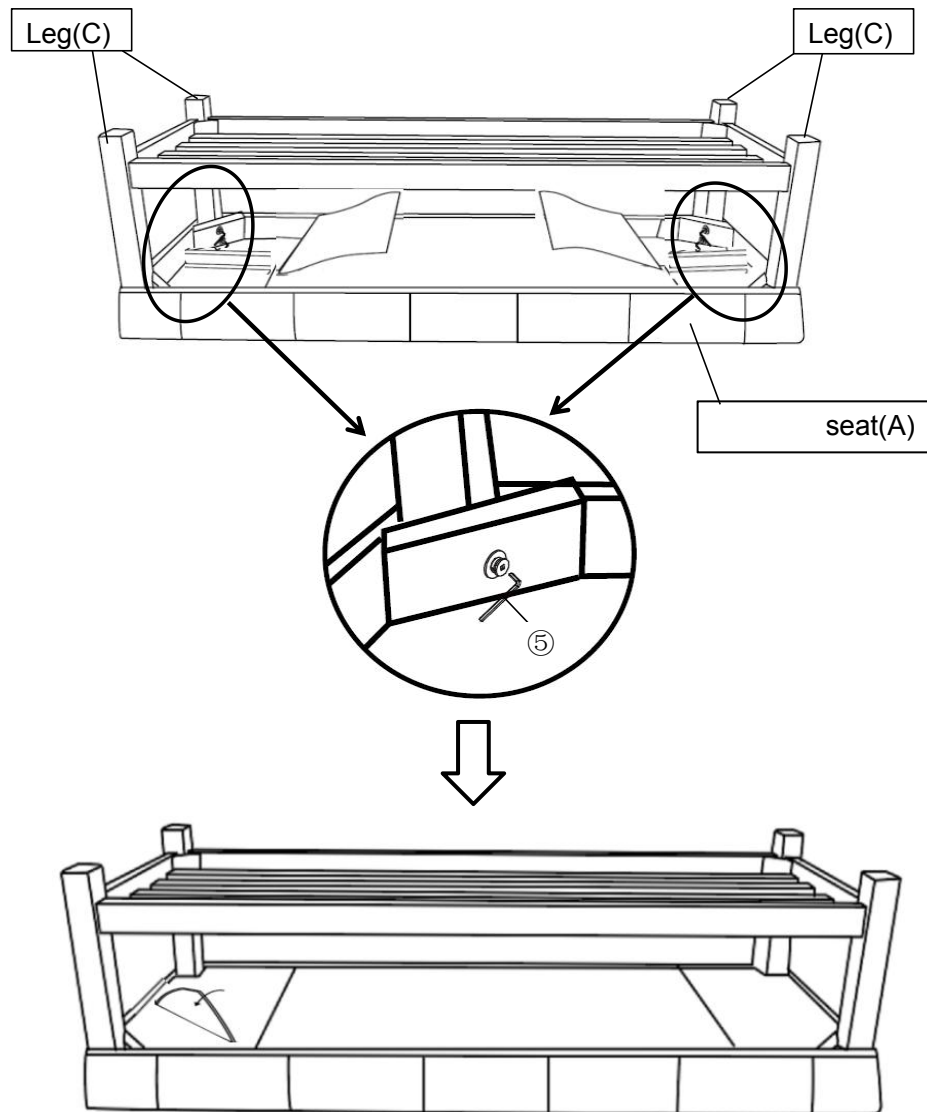
Attach the Leg(C) to seat(A) using Bolts(①), Washer Rings(④), Flat Washer Rings(③) turning clockwise by hand.
DO NOT OVER TIGHT.
Repeat the same process with the remaining Legs(C).

Step 4



Position the seat(A) on the side as shown.
Attach the Ottoman Base(B) onto the Leg(C) using a Bolt(②), Washer Ring(④), Flat Washer Ring(③) with Allen Wrench(⑤) turning clockwise until tight.
Repeat the same process with remaining Legs(C).

Step 5

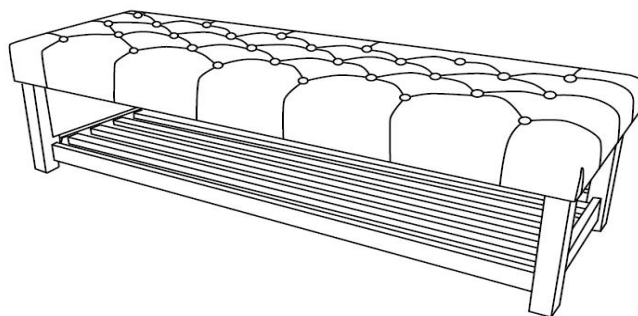


After step 4, Position the Base(B) bottom up, then tighten the Bolts by Allen Wrench(⑤).

Repeat the same process for the remaining legs.

Seal back the Black Non-Woven fabric to its original position and condition. Smooth down the fabric / magic tape over the bottom edge of the frame with your hand,.

Step 6



Your set is ready for use.

Caution :This can only be used on a flat, level surface.