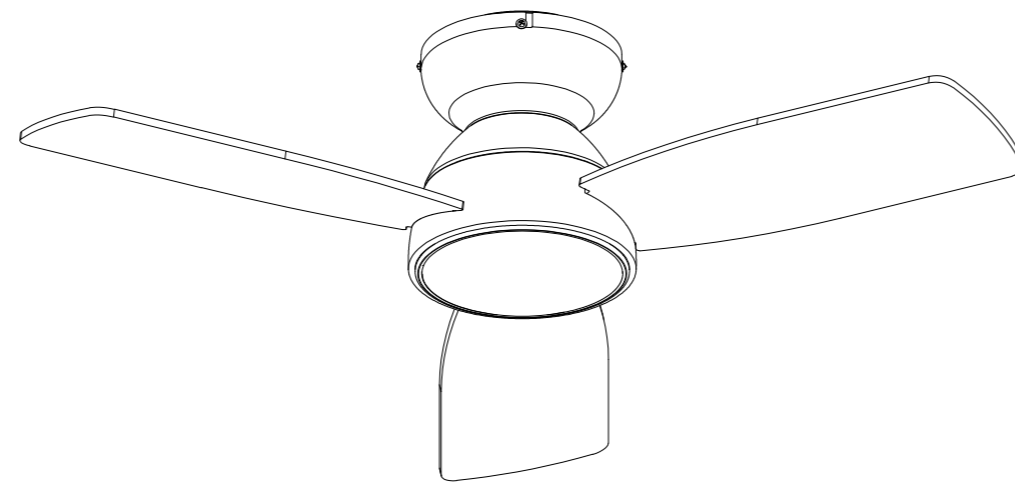


INSTALLATION MANUAL

CEILING FAN WITH LIGHT



TOOLS REQUIRED



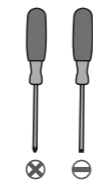
Ladder



Pliers

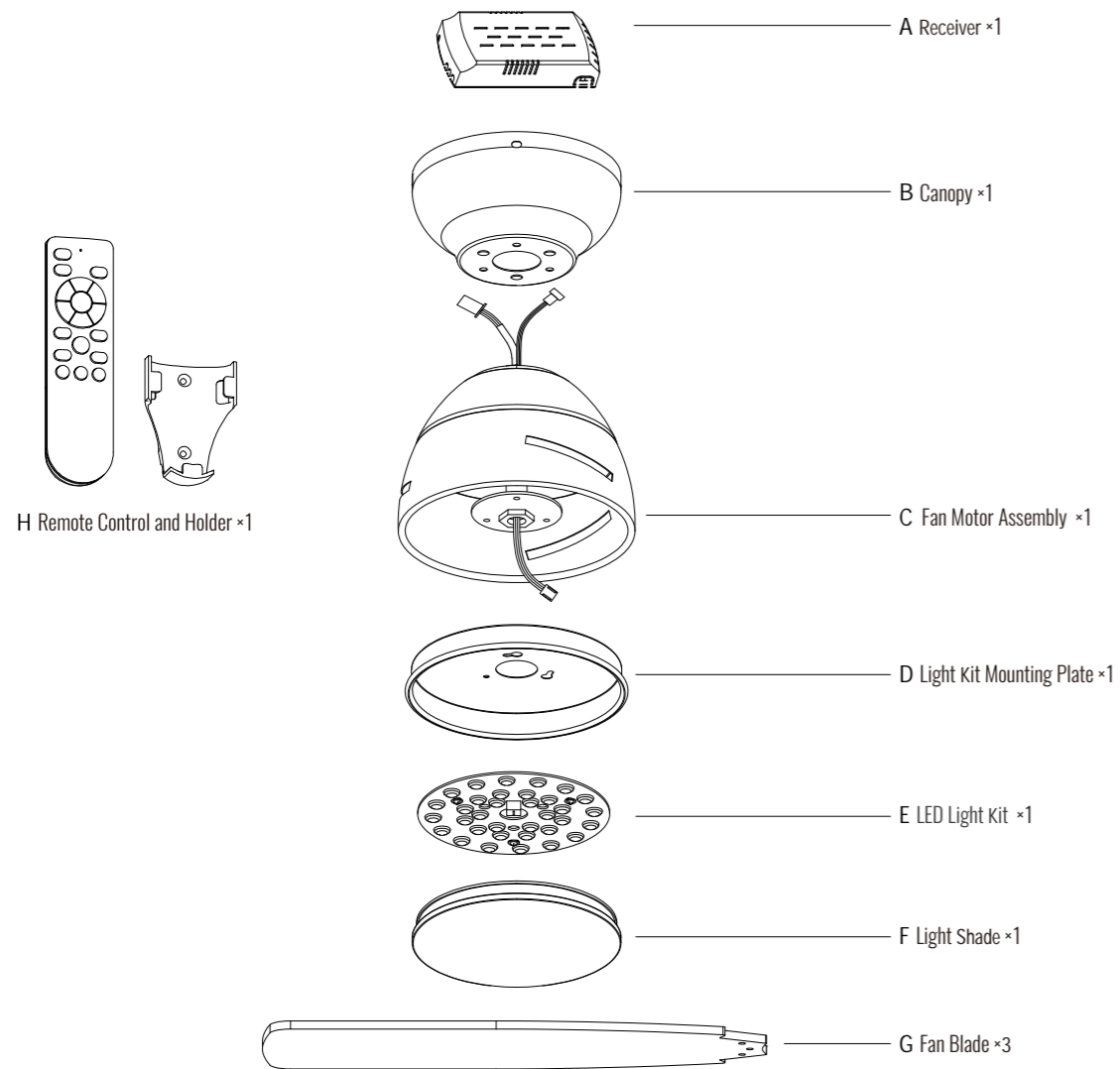


Wire
Strippers


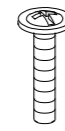

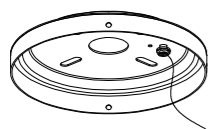
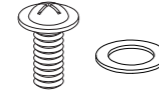
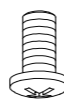


Screwdrivers

PACKING LIST



INSTALLATION KIT

AA	 Wire nut	3×	BB	 Outlet Box Screw	2×	CC	 Gloves	1×
DD	 Mounting Bracket	1×	EE	 Fan Blade Screw with Washer	9×	FF	 Canopy Fix Screw	3×

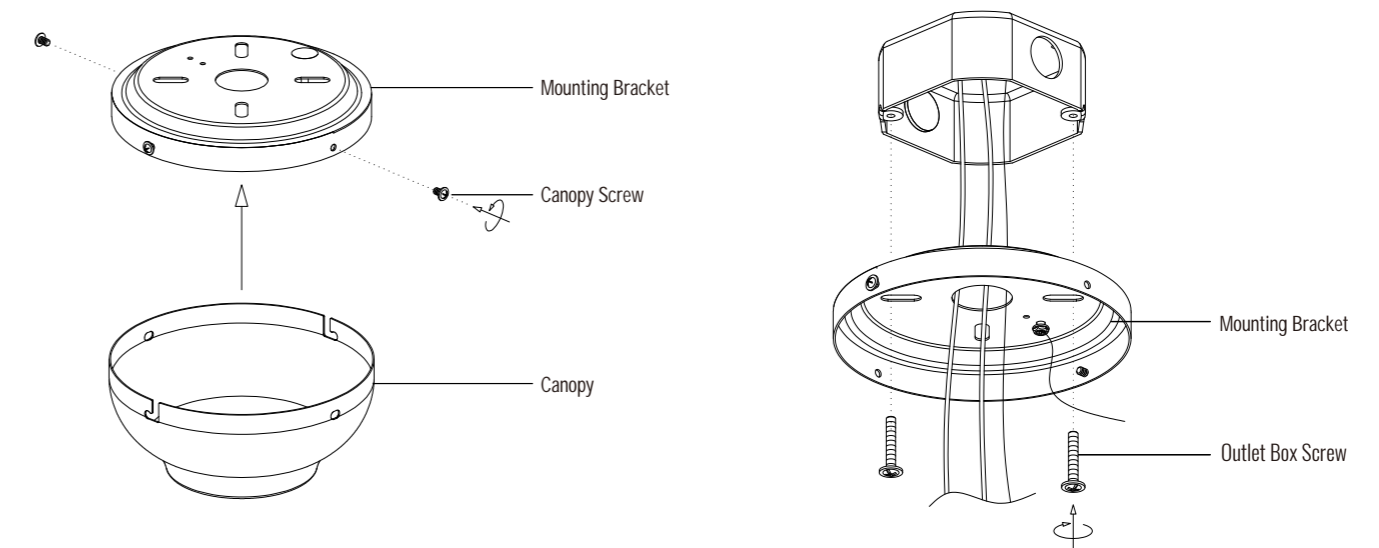
NOTE:

1. Some extra hardware may be included. The quantity listed above is the number required for installation.
2. Parts "DD" have already been installed with Canopy. They need to be disassembled before installation.

INSTALLATION

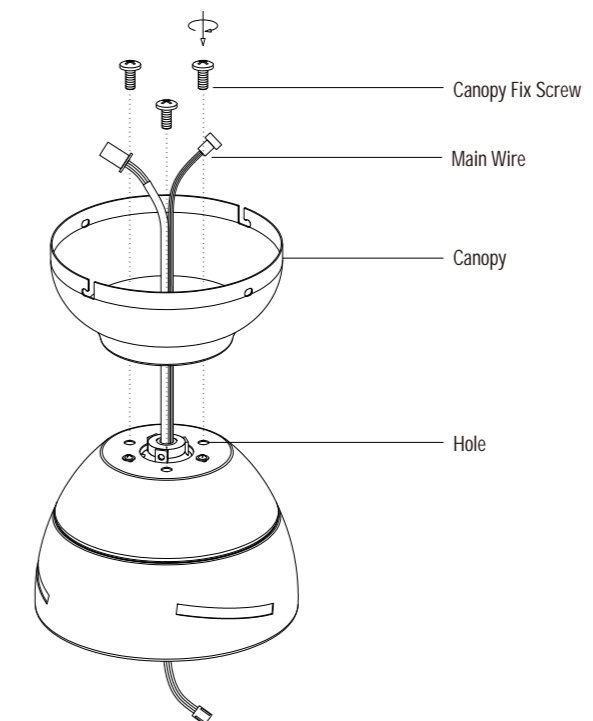
1. Installing the Mounting Bracket

- Step 1. Loosen and remove the canopy screws from the round holes, and loosen the canopy screws in the 'L' holes but do not remove them.
- Step 2. Take out the Mounting Bracket (DD) from the canopy, then take off the screws from outlet box.
- Step 3. Secure the Mounting Bracket onto the outlet box with screws taken off or Outlet Box Screw (BB) provided.



2. Assembling the Canopy

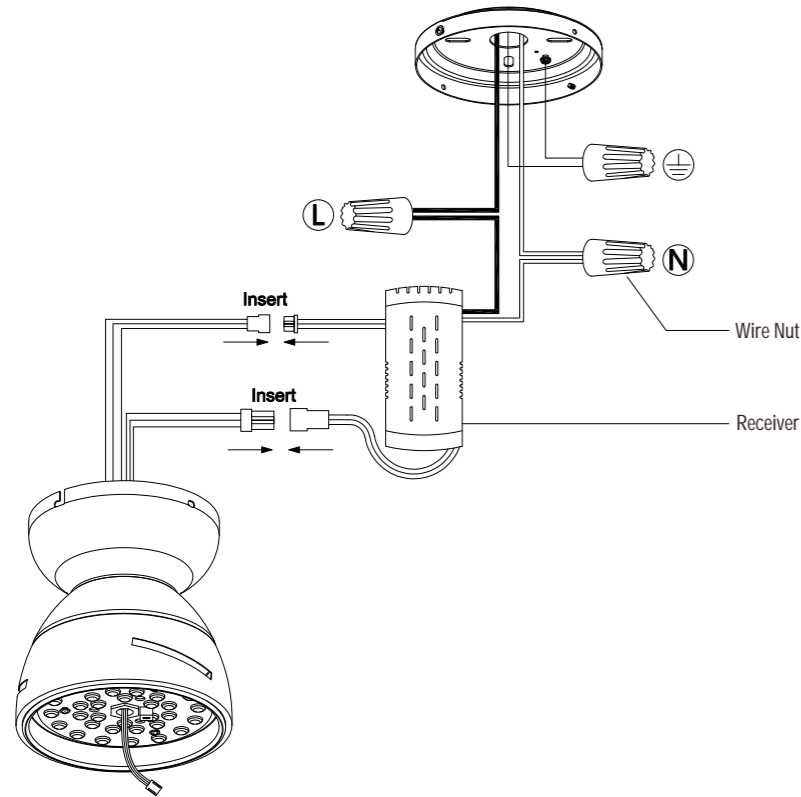
- Step 1. Thread the main wire through the Canopy.
- Step 2. Thread the Canopy Fix Screw (FF) through the Canopy and secure it in the Hole on the Fan Motor Assembly.



3. Wiring

Step 1. Connect the wires from the fixture to the house supply wires with wire nuts (AA) , ground wire (green, green/yellow, or bare copper) to ground wire, neutral wire (white or blue) to neutral wire, and hot wire (black or brown) to the hot wire.

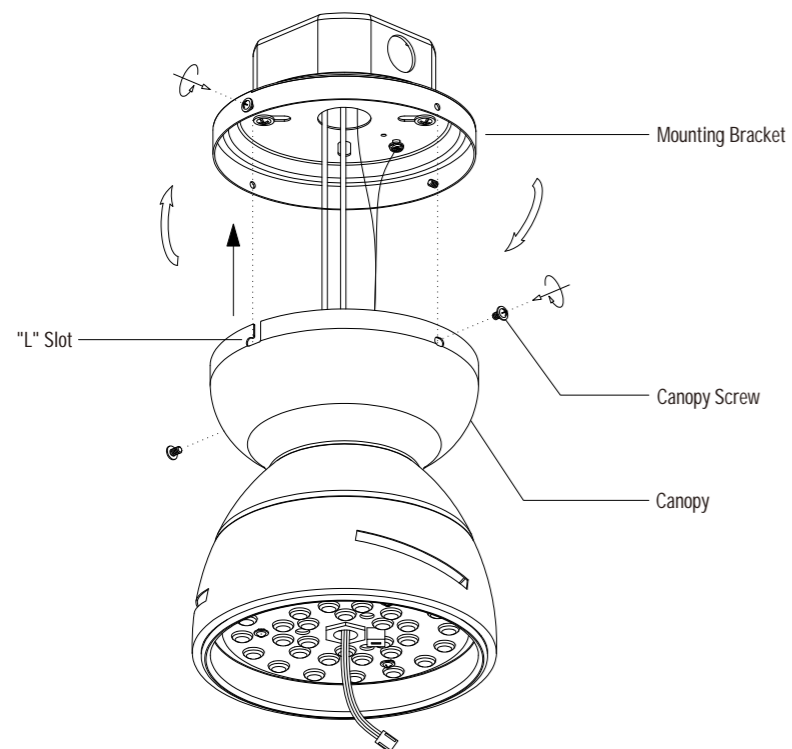
Step 2. Wrap the connection with electrical tape.



4. Hanging

Step 1. Align the "L" slots from the Canopy to the Canopy Screws on the Mounting Bracket (DD) , rotate the Canopy to lock it onto the Mounting Bracket.

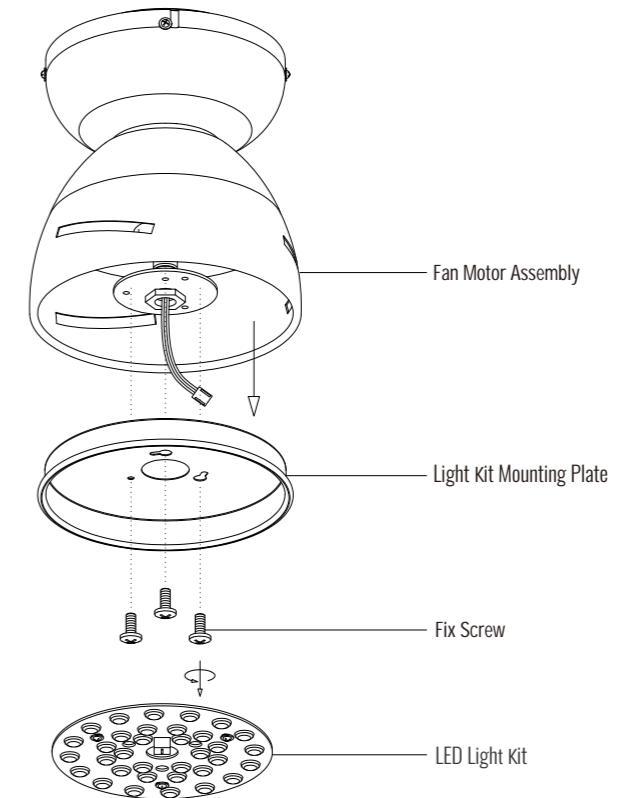
Step 2. Tighten the Canopy Screws to secure the Fan Assembly.



5. Installing the Fan Blade

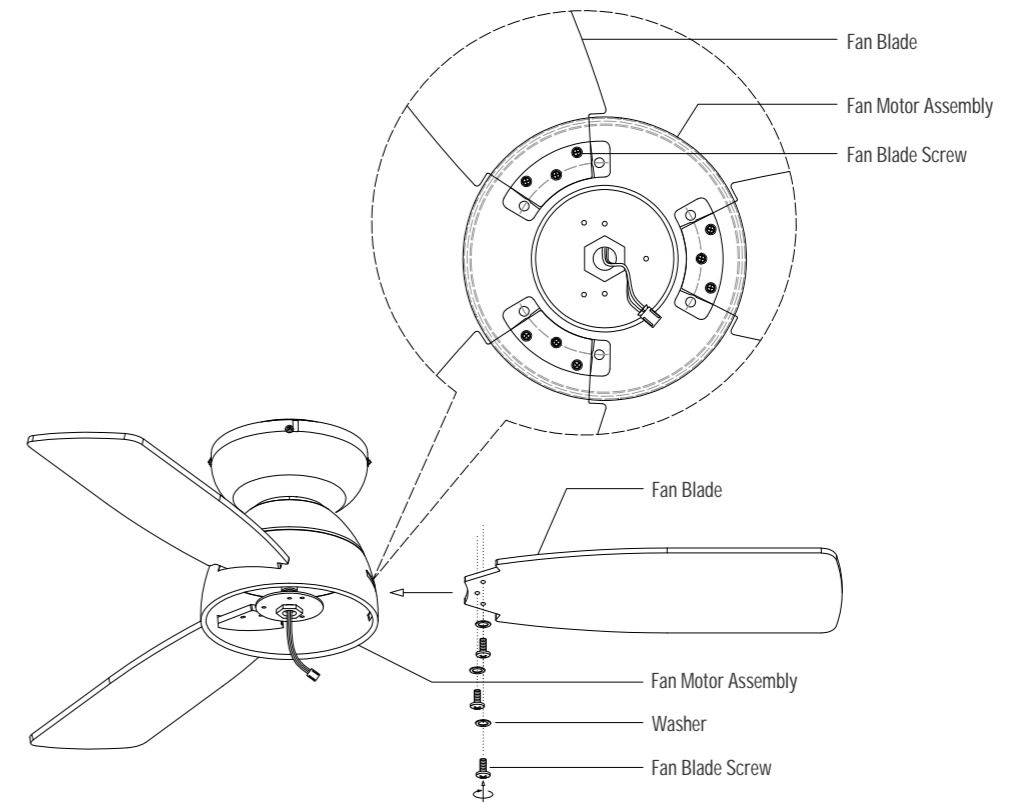
Step 1. Take off the LED Light Kit and loosen the Fix Screw on the Fan Motor Assembly.

Step 2. Take off the Light Kit Mounting Plate.



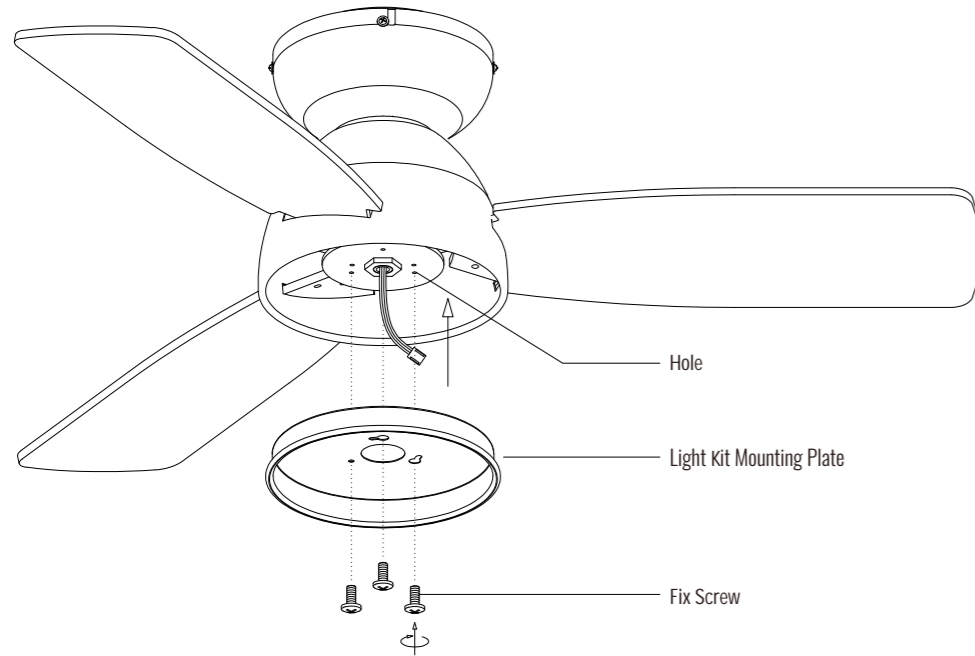
Step 3. Align the Fan Blades with the holes on the Fan Motor Assembly, fix them with Fan Blade Screws with Washer (EE).

Note: Make sure to assemble the blades in sequence and fasten the screws with equal force.



6. Installing the Light Kit Mounting Plate

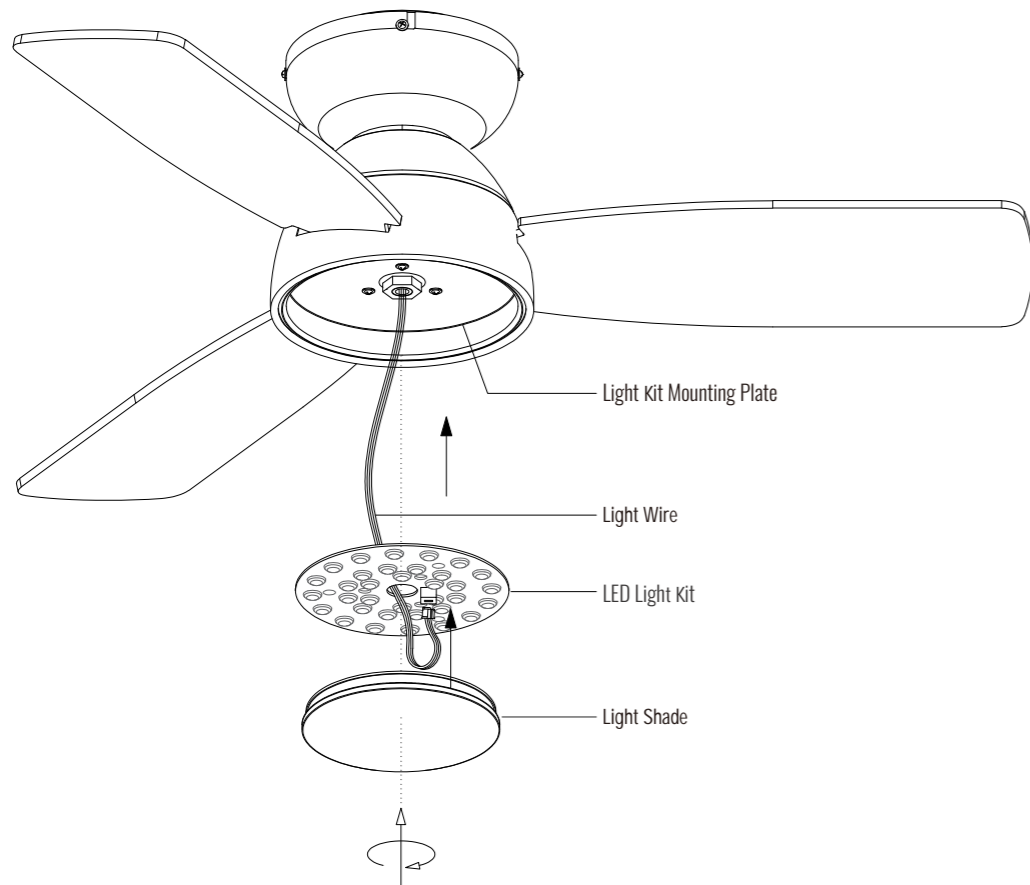
Step 1. Align the Light Kit Mounting Plate with the holes on the Fan Motor Assembly, fix them with Fix Screw taken off at Step 5.



7. Installing the LED Light Kit

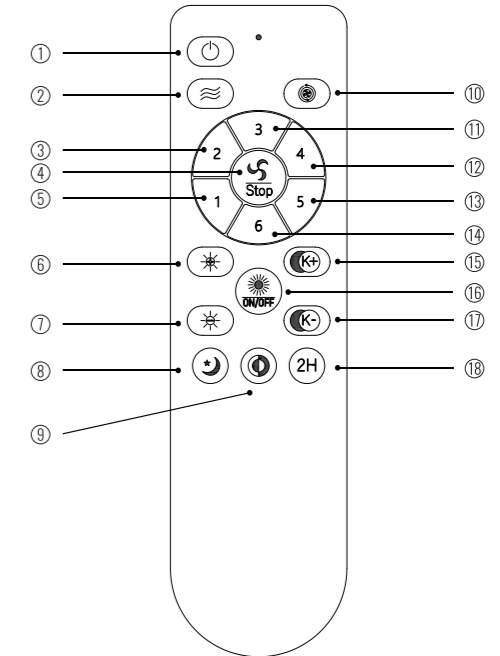
Step 1. Connect the Light Wire terminal to the interface on the LED Light Kit.

Step 2. Rotate the Light Shade clockwise to secure it to the Light Kit Mounting Plate.



REMOTE CONTROL INSTRUCTIONS

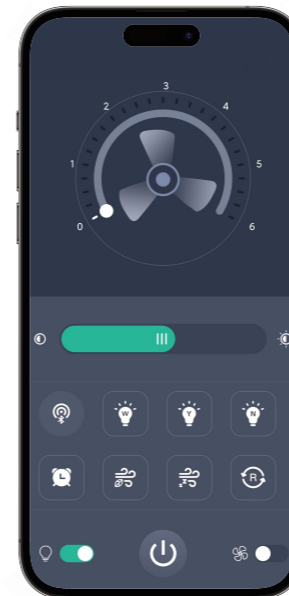
- ① : Turn off power.
- ② : Natural wind, fan speed will change automatically with this function.
- ③ ⑤ ⑪ ⑫ ⑬ ⑭ : Turn on the fan on 1/2/3/4/5/6 speed.
- ④ : Turn off the fan.
- ⑩ : Fan moves forwards or reversely.
- ⑥ ⑦ : Adjust the brightness of the light.
- ⑮ ⑰ : Adjust the light color temperature.
- ⑯ : Turn on / off the light.
- ⑧ : Night mode, dim the lights.
- ⑨ : Quick switch of the light color: warm white → cool white → daylight white.
- ⑱ : 2H for timing the fan.



REMOTE SIGNAL PAIRING:

If the remote control loses signal of the fan, press and hold the button ⑯ at the very beginning after it's turned on from wall switch. After the fan light flashes or beeps, it's done.

APP CONTROL INSTRUCTIONS



	Pairing: Click the Pair button within 5 seconds after turning on the fan from the wall switch. Once the fan flashes or beeps, it has been successfully paired with your phone and can now be controlled through the app.
	Slide the slider to change the fan speed
	Slide to adjust the brightness of the light
	Quickly change color temperature " White, Yellow, Natural "
	Night mode, dim the lights.
	Fan forward & Fan reverse
	Guiding style (not supported by this product)
	Timer
	Sleeping wind (Not applicable on this fan)
	Natural wind: Simulate natural wind and automatically adjust the wind speed
	Turn on/off the light
	Turn on/off the fan