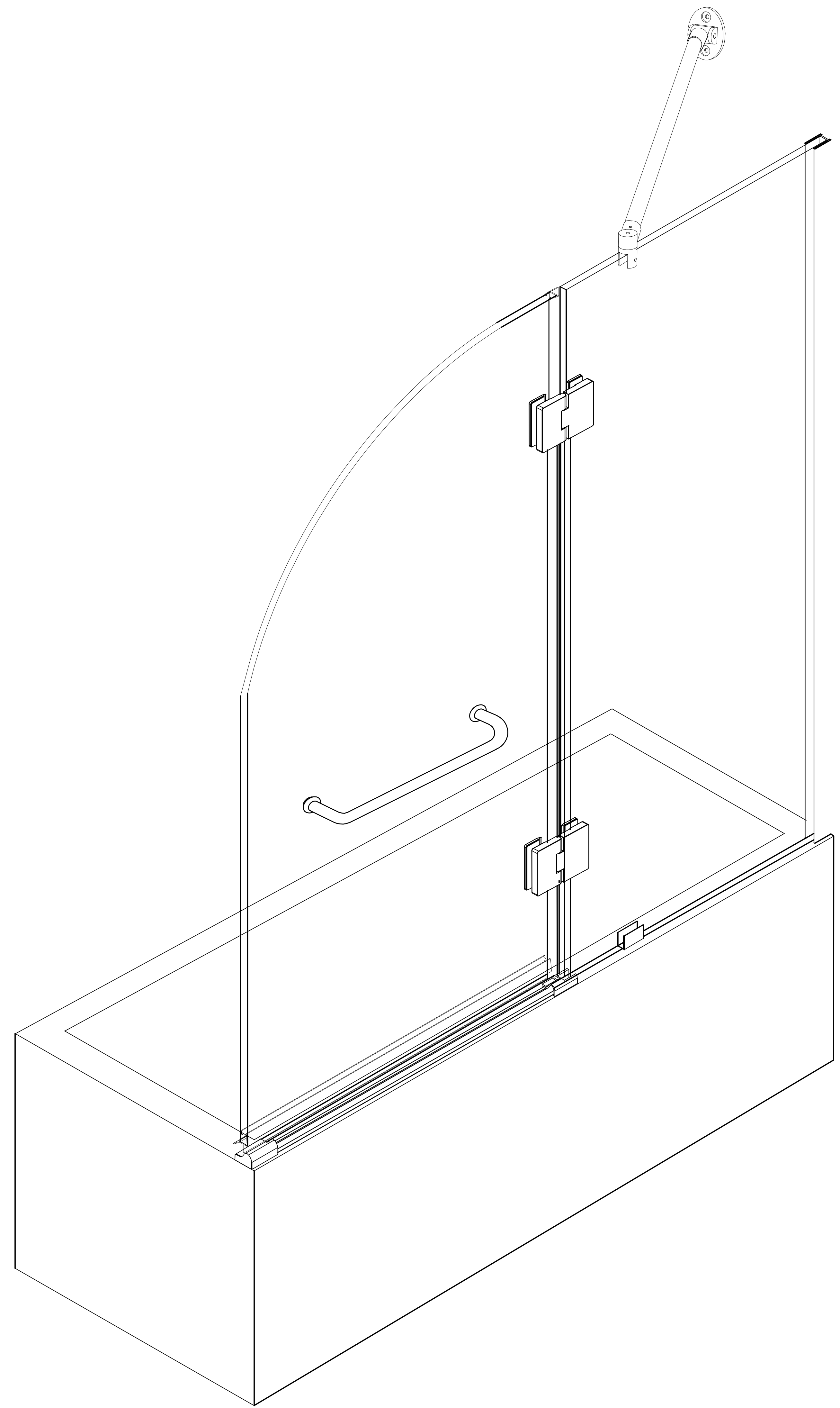


Left Hand Install



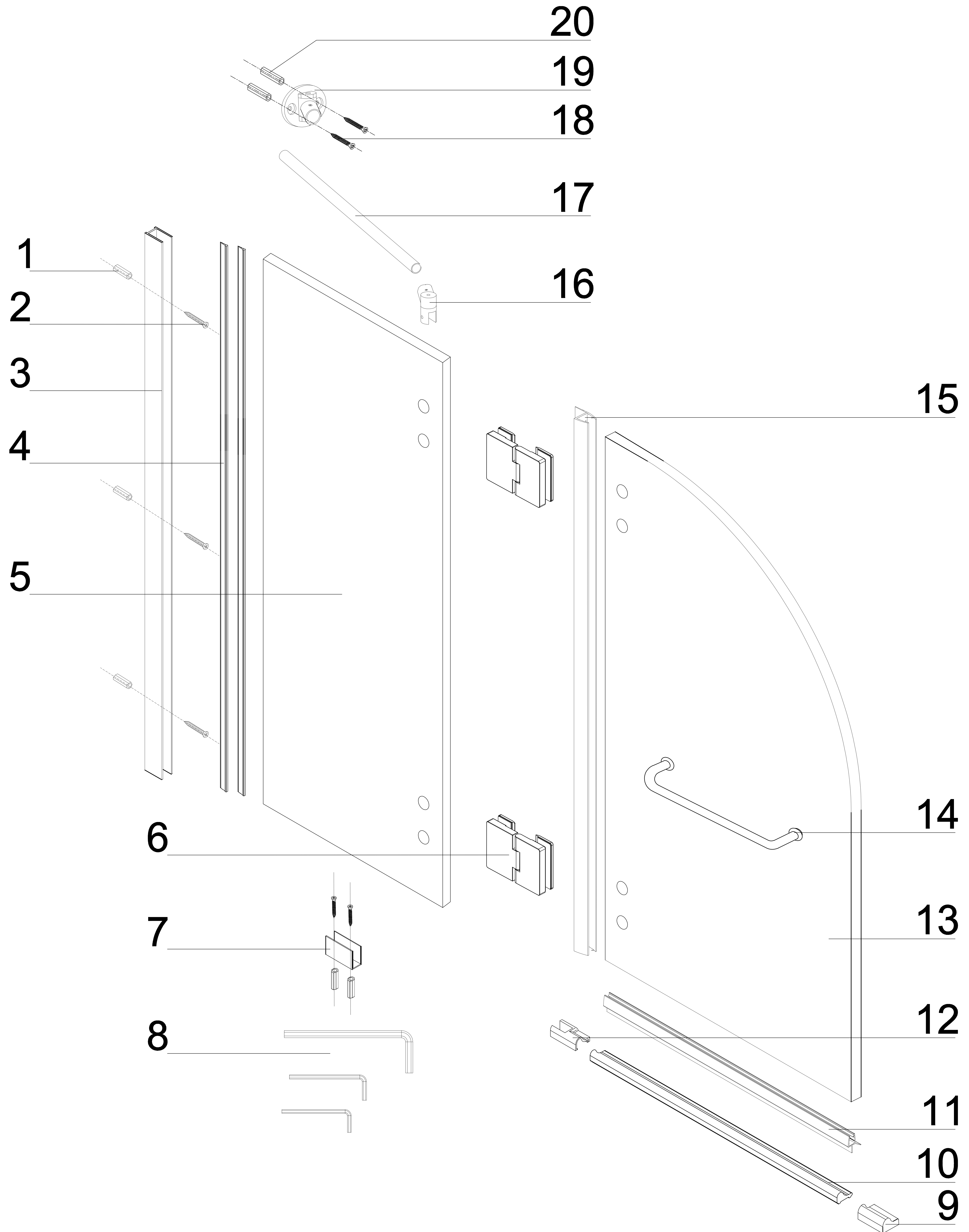
Right Hand Install

Customer Support: 1-877-897-1222
After-sale service: felyl@outlook.com
Hours of Operation: M-F 9 AM-5:00PM

Scan for
instruction video

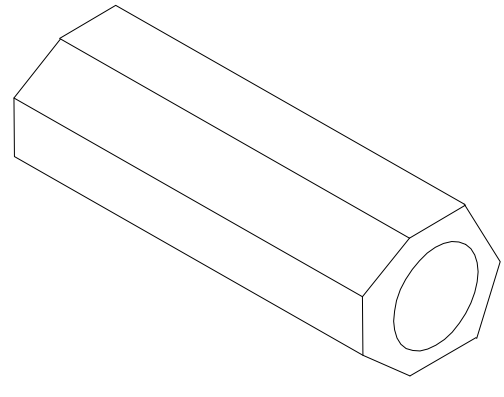
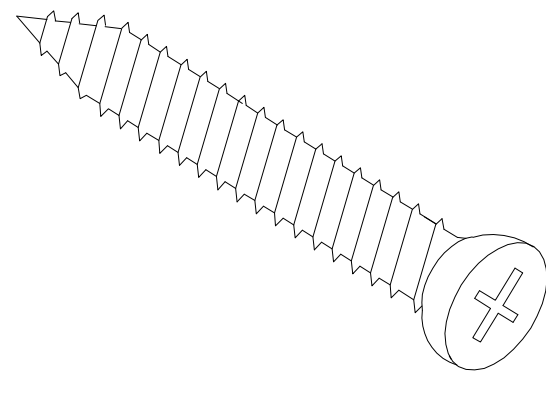
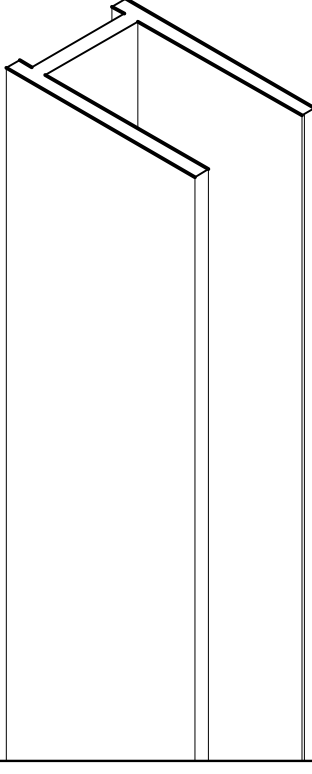
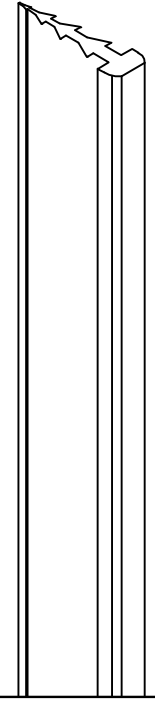
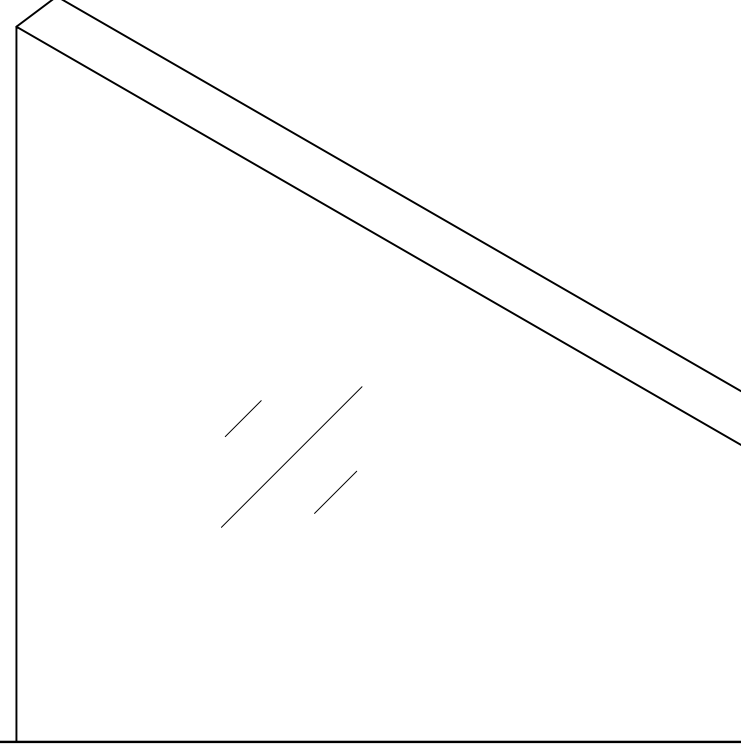
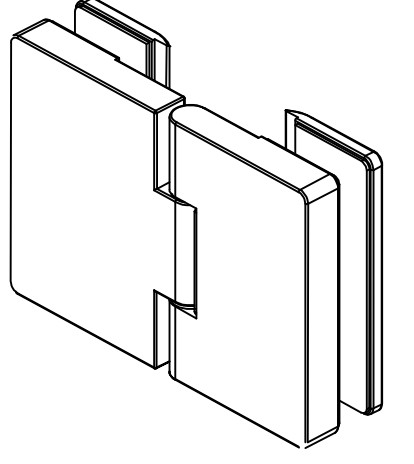
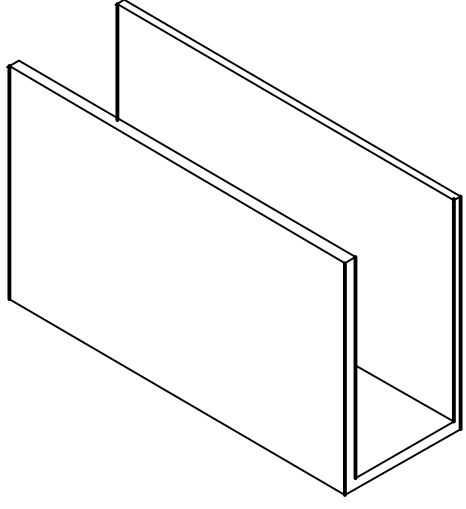
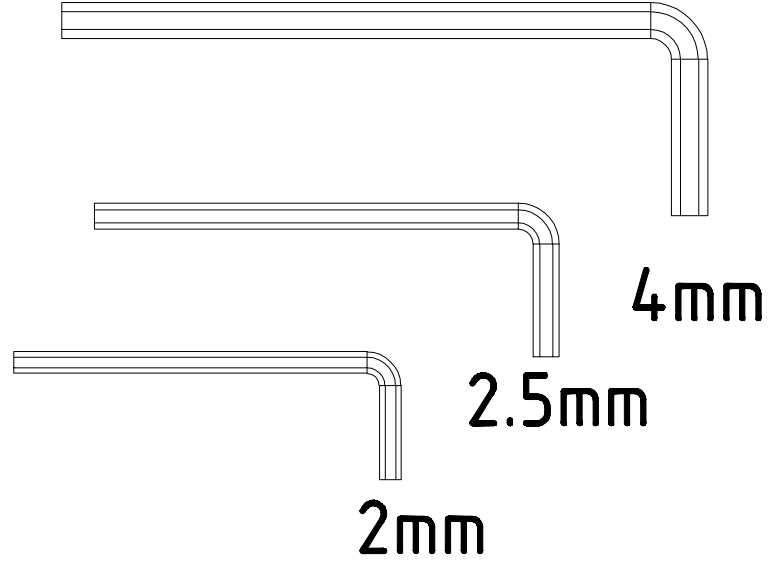
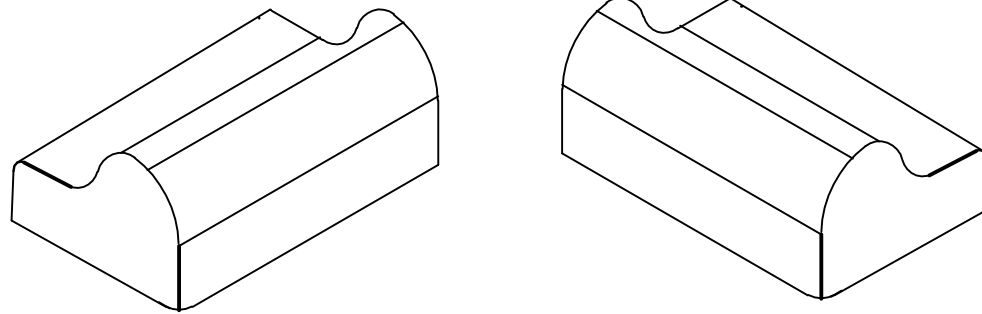
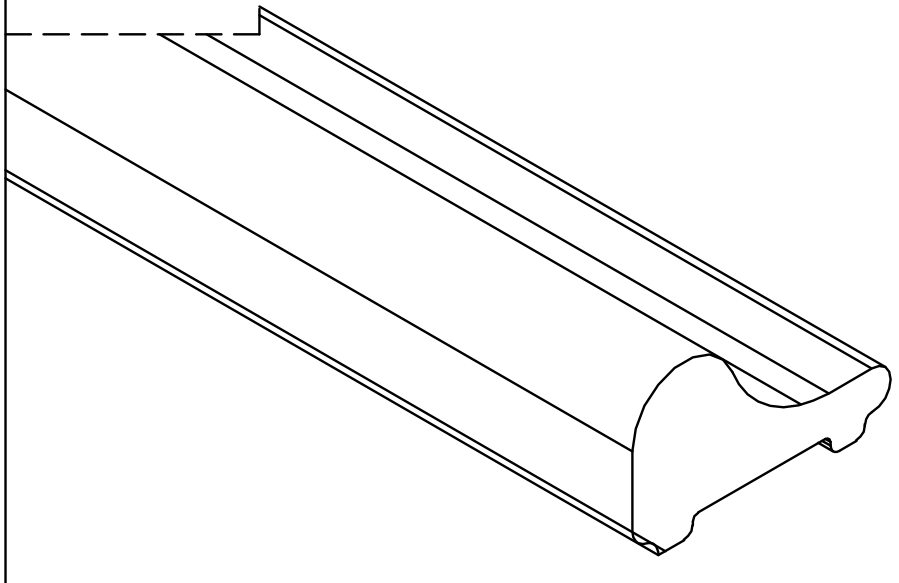
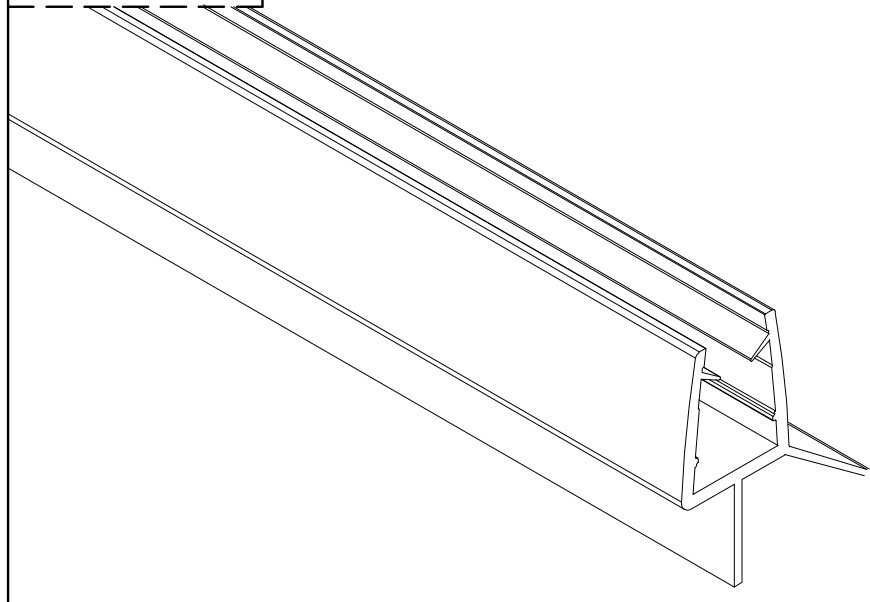
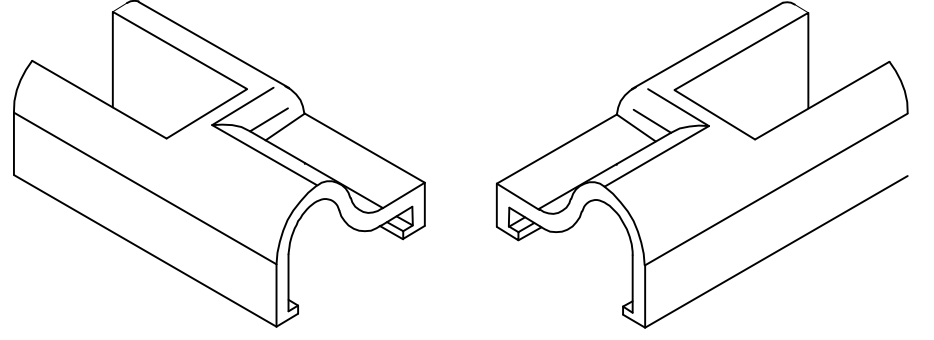
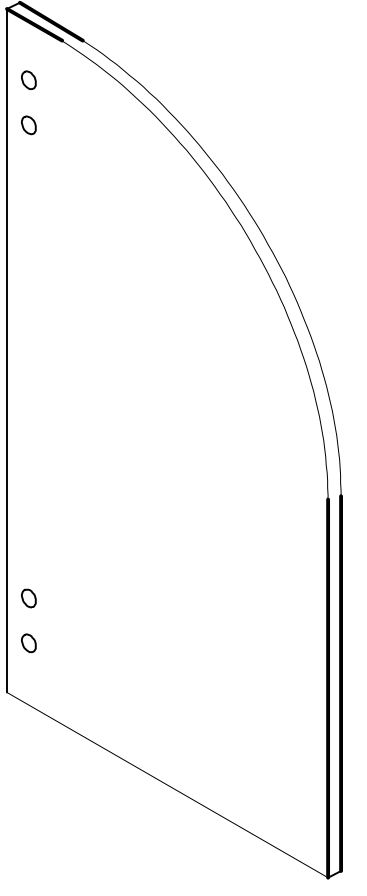
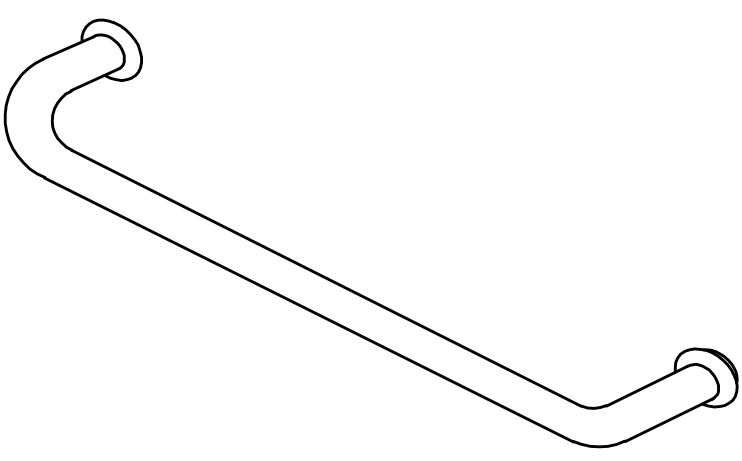
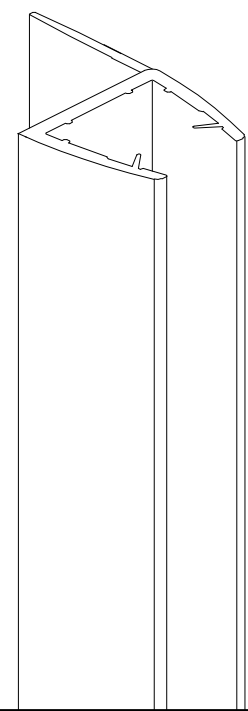
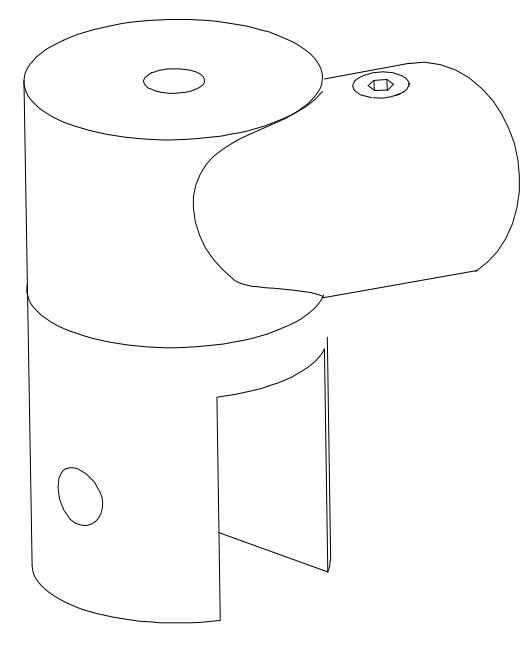
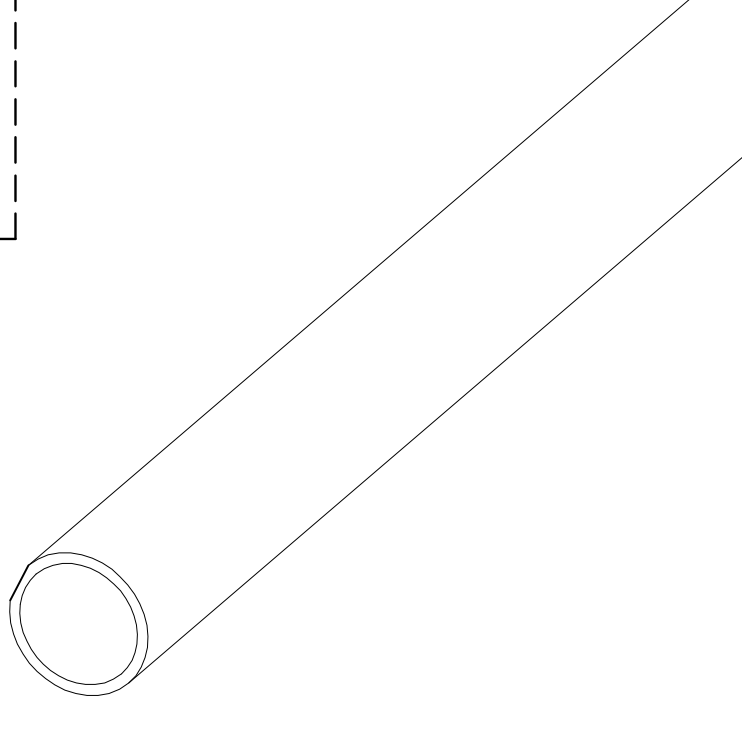
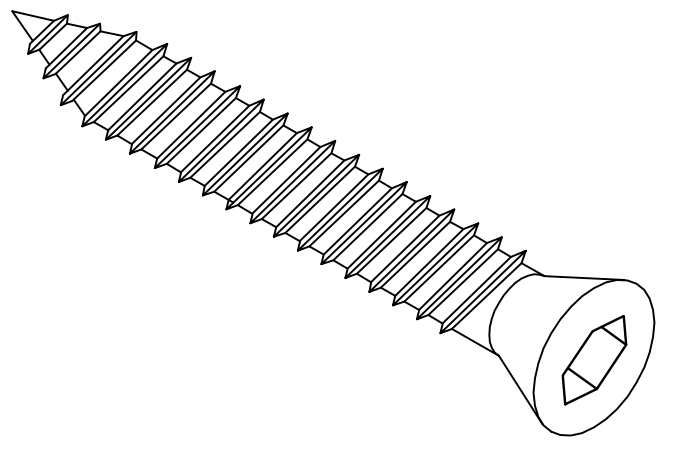
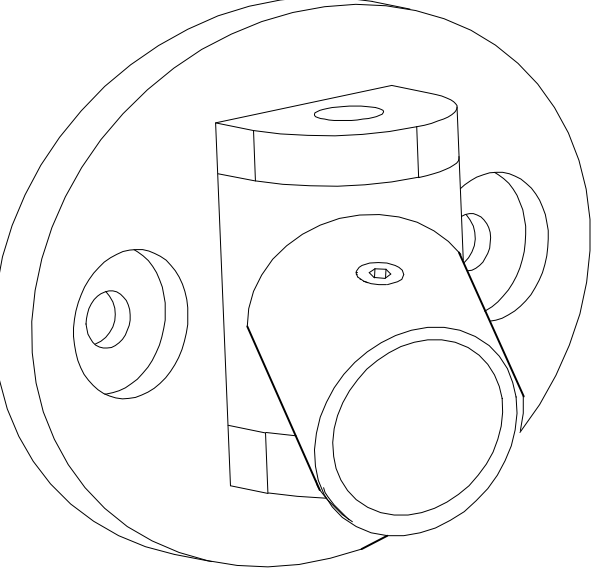


Detailed Diagram

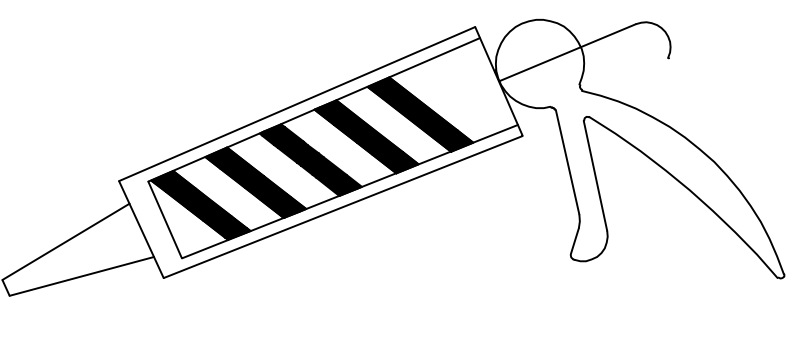
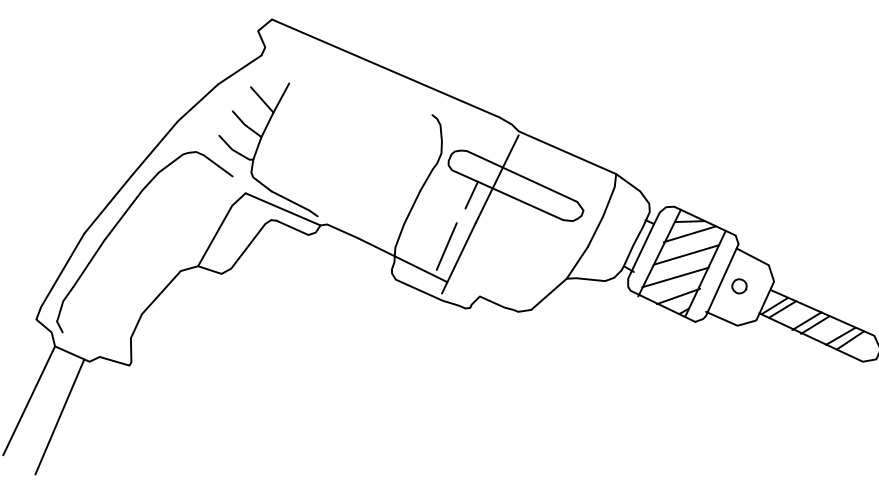
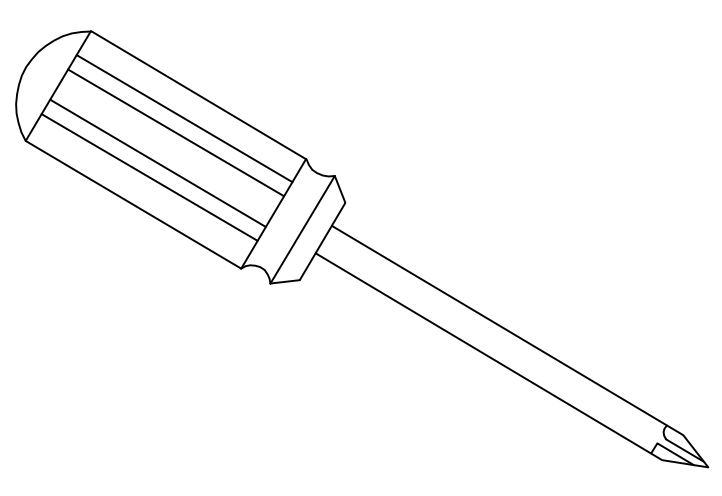
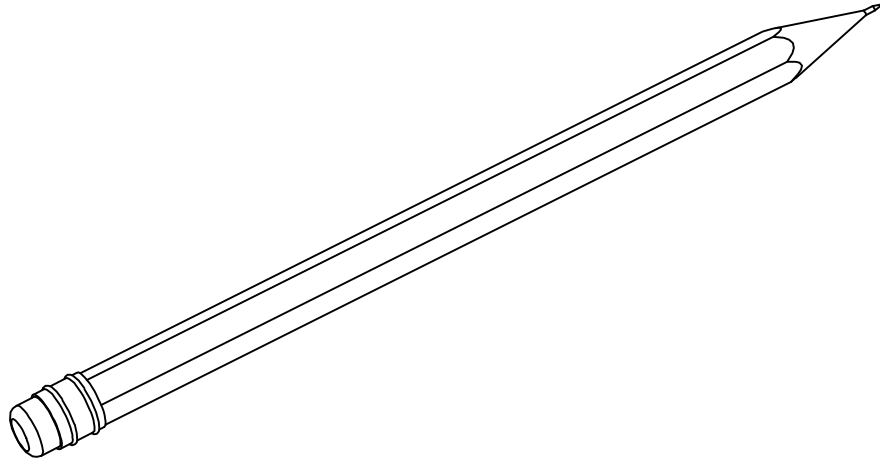
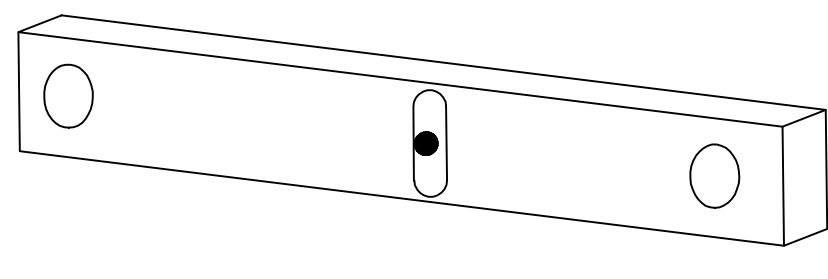
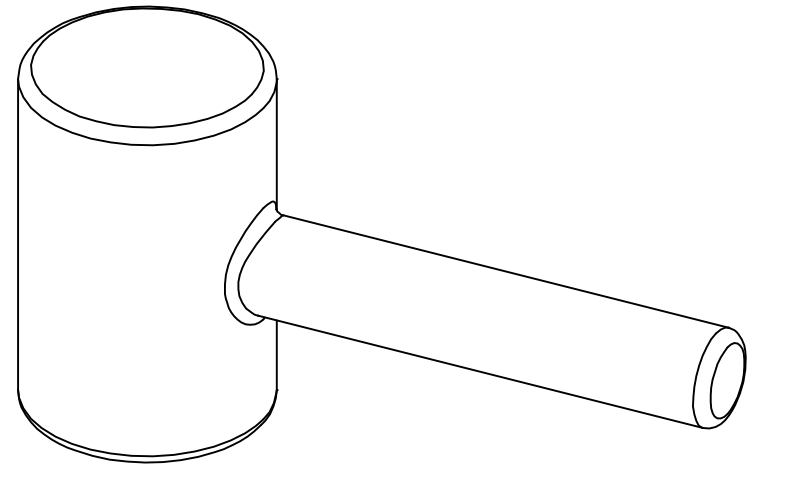
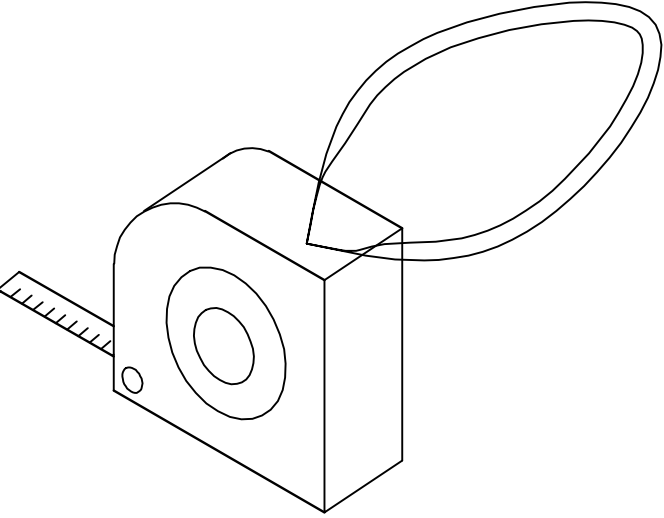
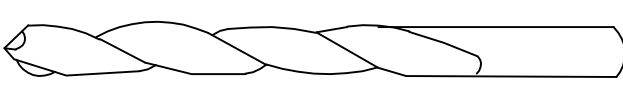
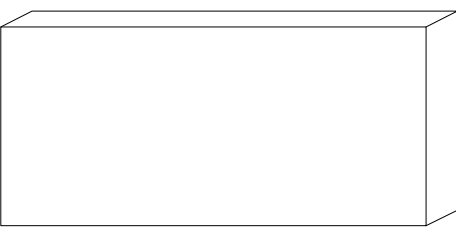
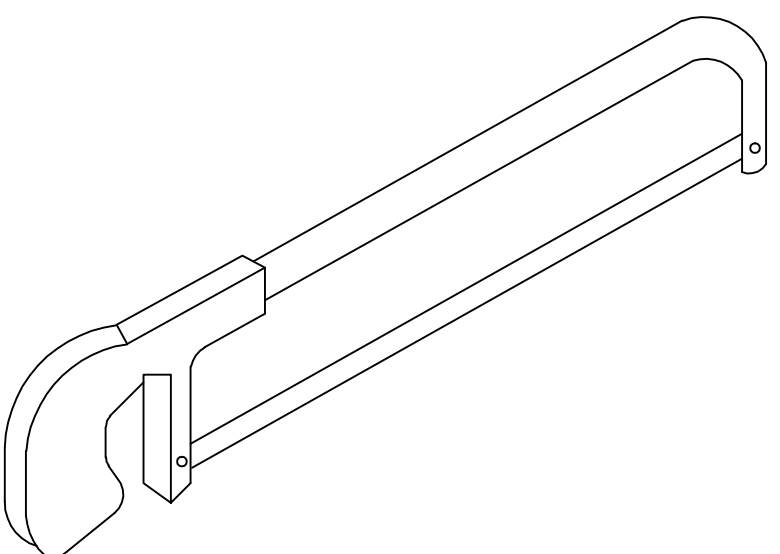




PART LIST

Check all parts according to the list before assembly . Feel free to contact with us if you need assistance .

| | | | | | |
|-------------------------------------------------------------------------------------|-------------------------------------------------------------------------------------|-------------------------------------------------------------------------------------|---------------------------------------------------------------------------------------|---------------------------------------------------------------------------------------|---------------------------------------------------------------------------------------|
|  |  |  |  |  |  |
| Plug 6*28 (7 PCS) | Screw 4*30(5PCS) | Wall-mounted stabilizer strip for fixed panel(1PC) | One-sided plastic strip(2PCS) | Fixed panel(1PC) | Shower door hinge(2PCS) |
|  |  |  |  |  |  |
| Glass clamp(1PC) | Allen Wrench(3PCS) | Wall-mounted strip connector(2PCS) | Aluminum strip(1PC) | Shower door bottom seal strip (1PC) | Strip connector(2PCS) |
|  |  |  |  |  |  |
| Movable shower door (1PC) | Tubular single-sided towel bar(1PC) | Side seal strip(1PC) | Top rail connected glass clamp(1PC) | Top rail(1PC) | Screw 4*30(2PCS) |
|  | | | | | |
| Wall-mounted top rail connector(1PC) | | | | | |

Recommended Tools

| | | | | | |
|-------------------------------------------------------------------------------------|------------------------------------------------------------------------------------------------------|--------------------------------------------------------------------------------------|---------------------------------------------------------------------------------------|---------------------------------------------------------------------------------------|---------------------------------------------------------------------------------------|
|  |  |  |  |  |  |
| Silicone | Drill | Philips Screw Driver | Pencil | Level | Rubber Mallet |
|  |  |  |  |  |  |
| Tape Measure | Ø1/4" Drill Bit | Wooden Jam | Hacksaw | Safety Glass | Safety Gloves |

Utilize Safety Glasses and Safety Gloves when constructing this shower door



Product installation attention and maintenance

Note: When installing, the glass corner protector cannot be dropped. And glass corners cannot touch the ground

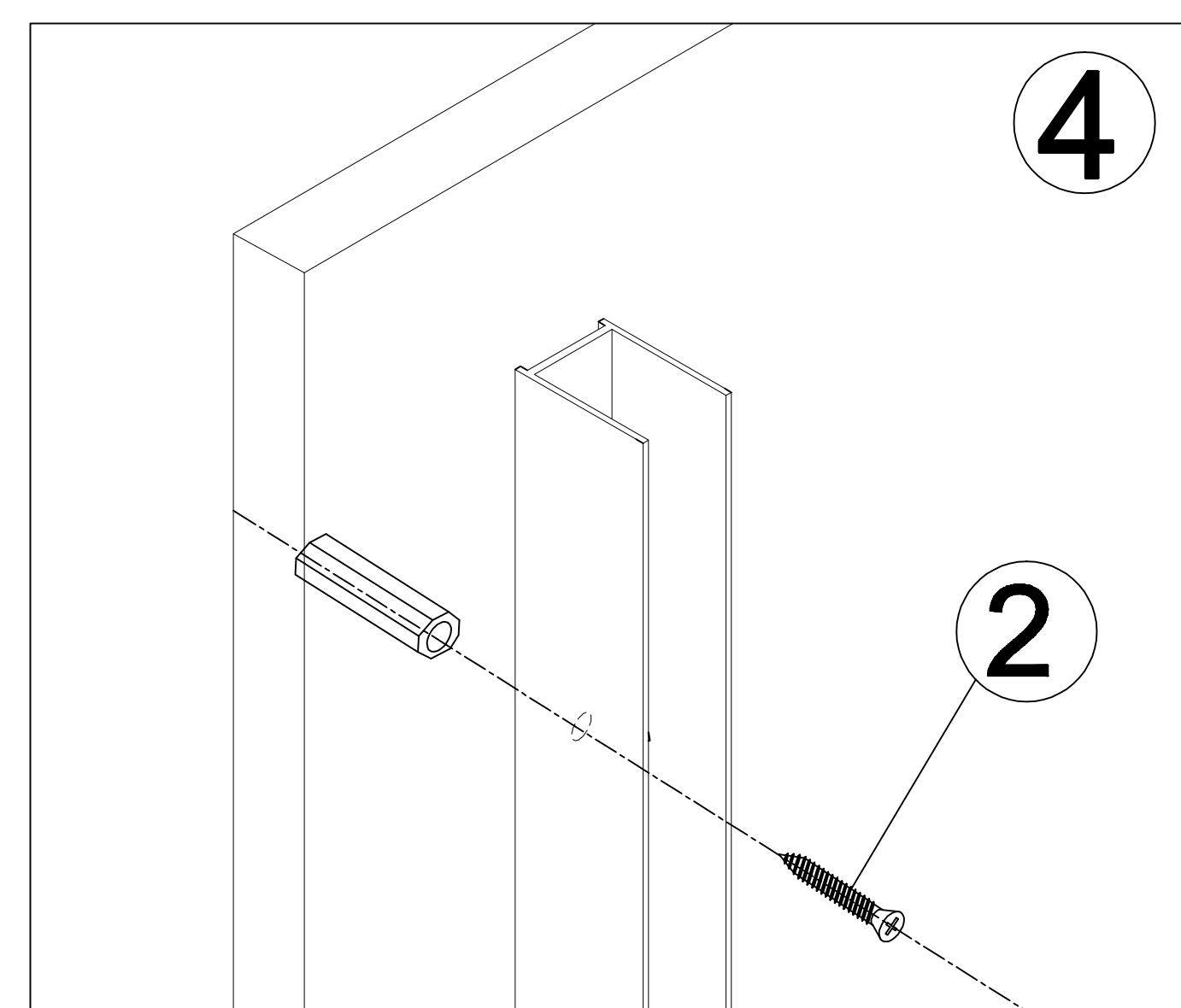
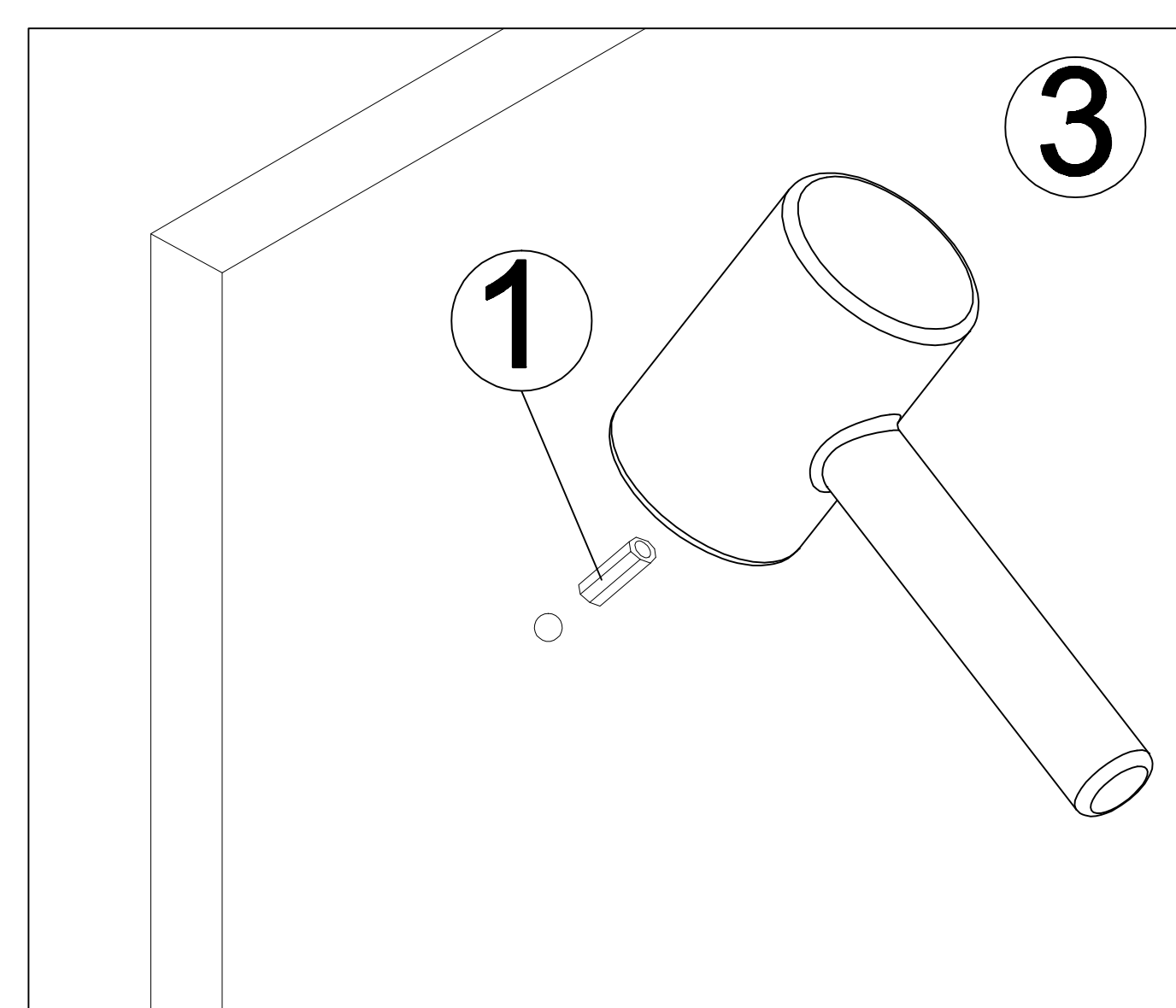
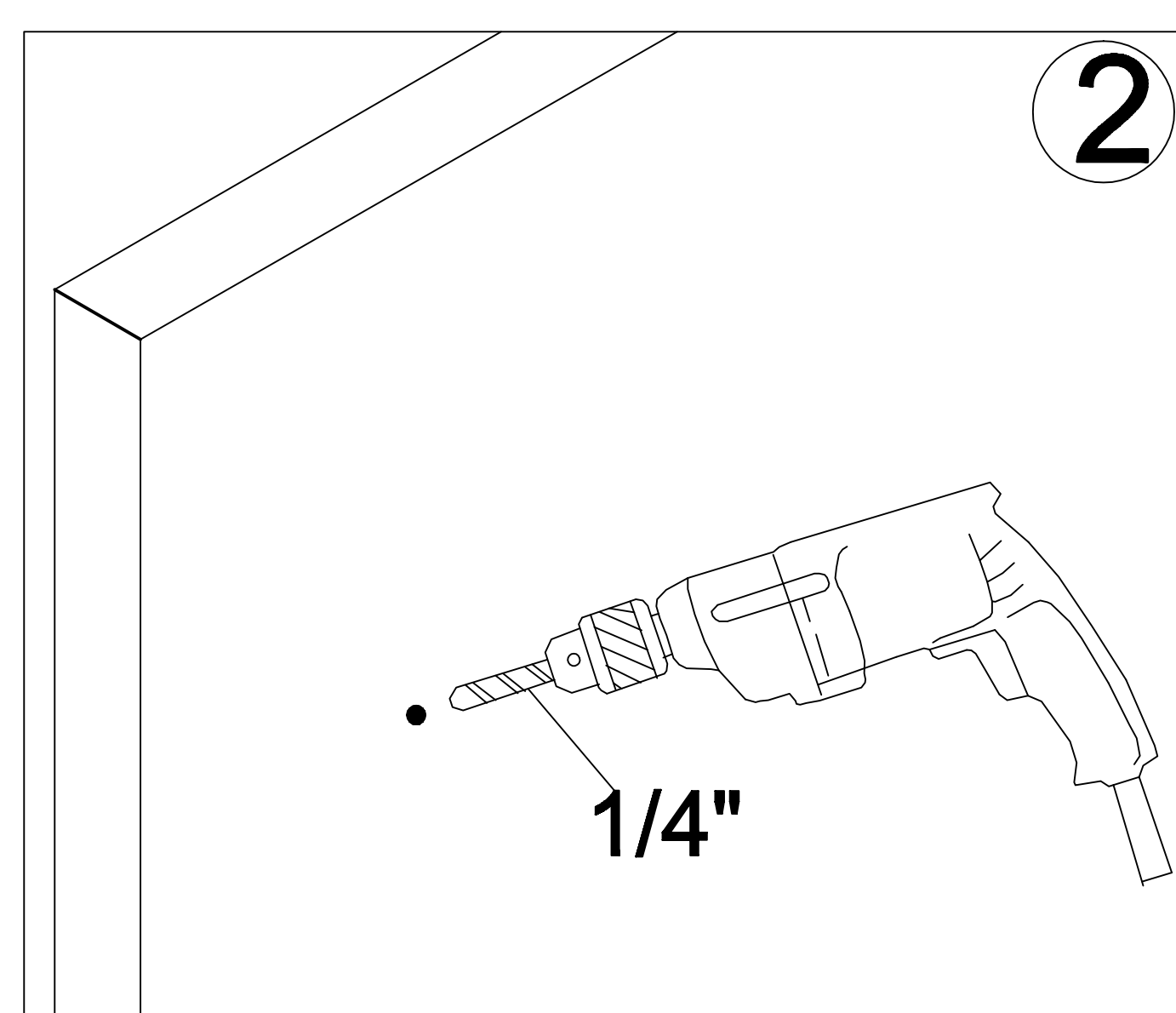
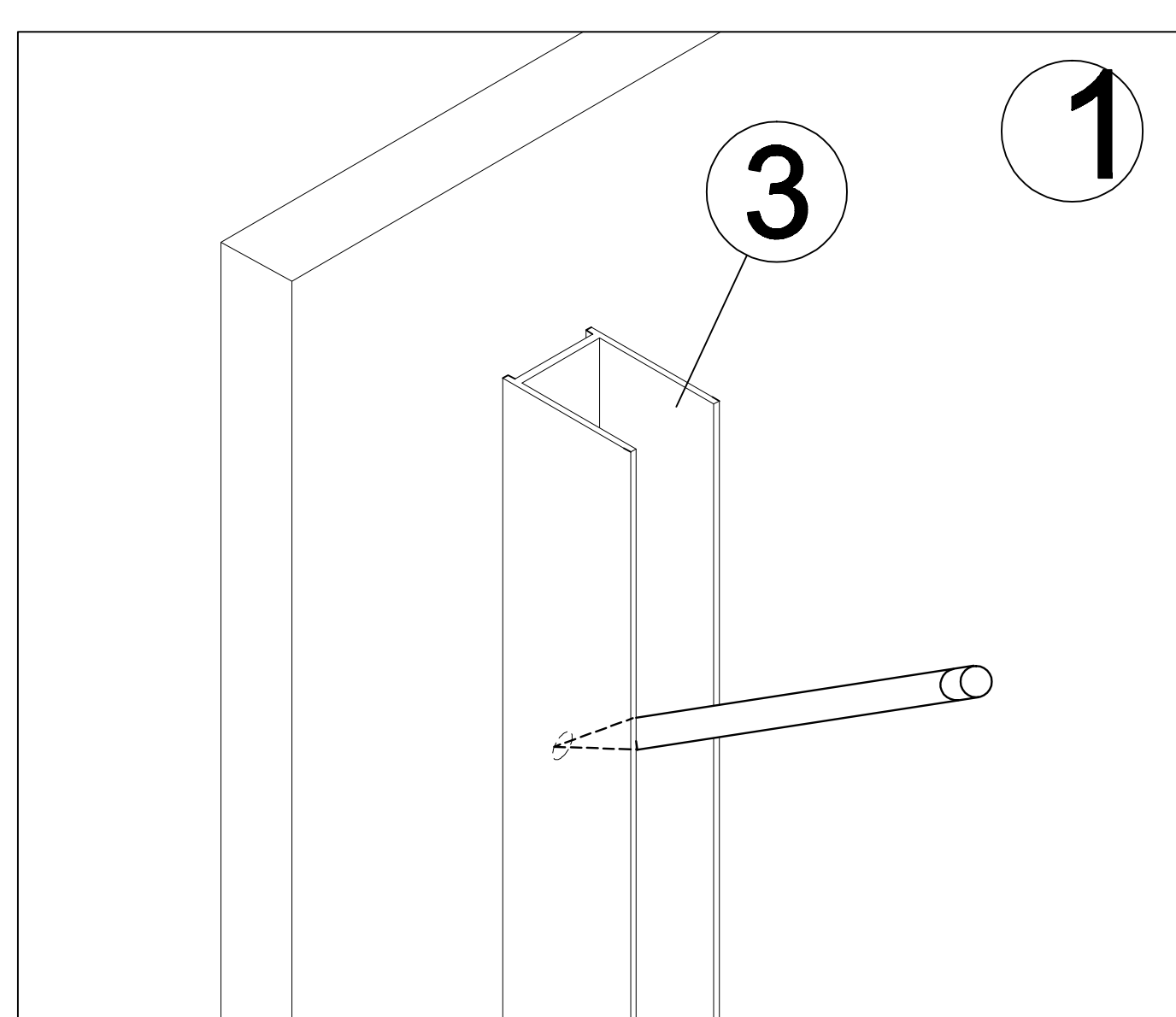
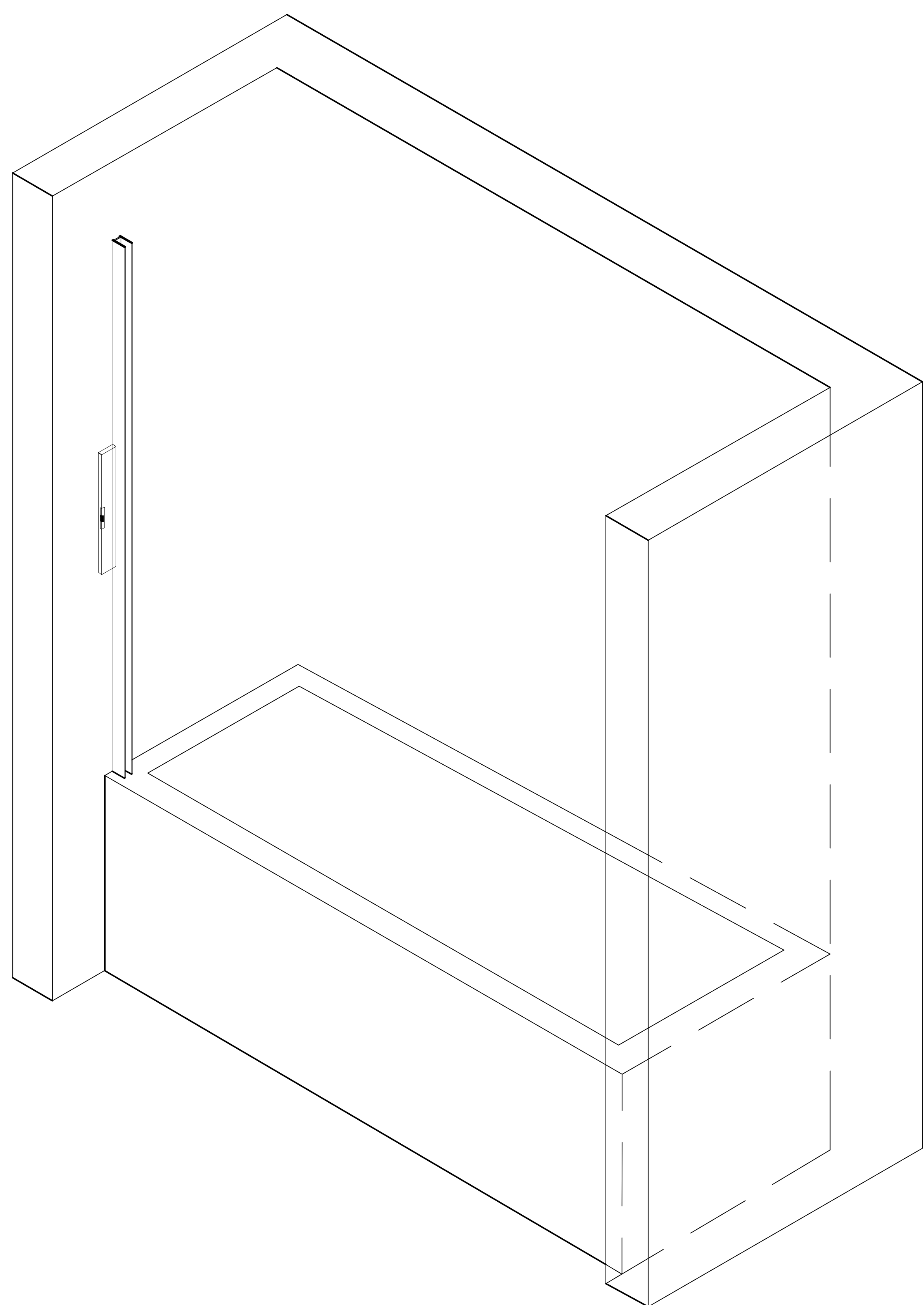
GLASS: To ensure long lasting life for your glass shower products: wipe them off after each use with a soft cloth. Rinse and wipe off the glass using either a soft cloth or a squeegee to prevent soap buildup and water spots (Hard water can etch the surface of the glass over time if left to dry). To prevent scratching the surface: never use abrasive cleaners or cleaning products that contain scouring agents. Never use bristle brushes or abrasive sponges that may scratch the surface.

HARDWARE: To ensure a long lasting finish: wipe off the metal parts after each use with a soft cloth. Do not use abrasive cleaners or cleaning products containing ammonia, bleach or acid. If accidentally used, rinse the surface as soon as possible to prevent damage to the finish (peeling or corrosion). After cleaning the polished finishes, rinse thoroughly and wipe dry with soft cloth. Clean stainless steel surfaces at least once a week. When applying stainless steel cleaner or polish to stainless steel hardware, work with (not across) the grain. Never use an abrasive sponge or cloth, steel wool or wired brush as these may permanently scratch the surfaces.

Left Hand Assembly

STEP 1

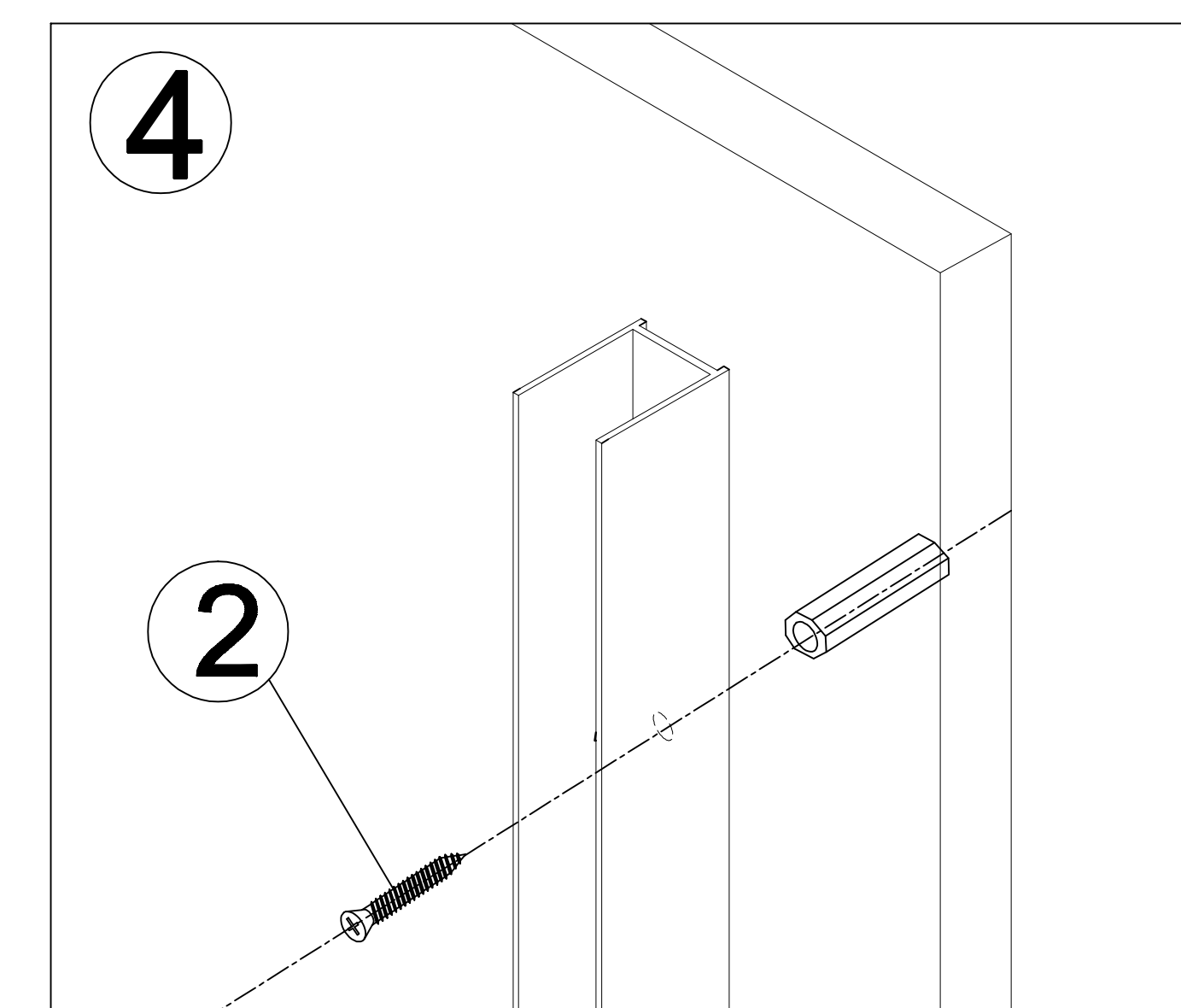
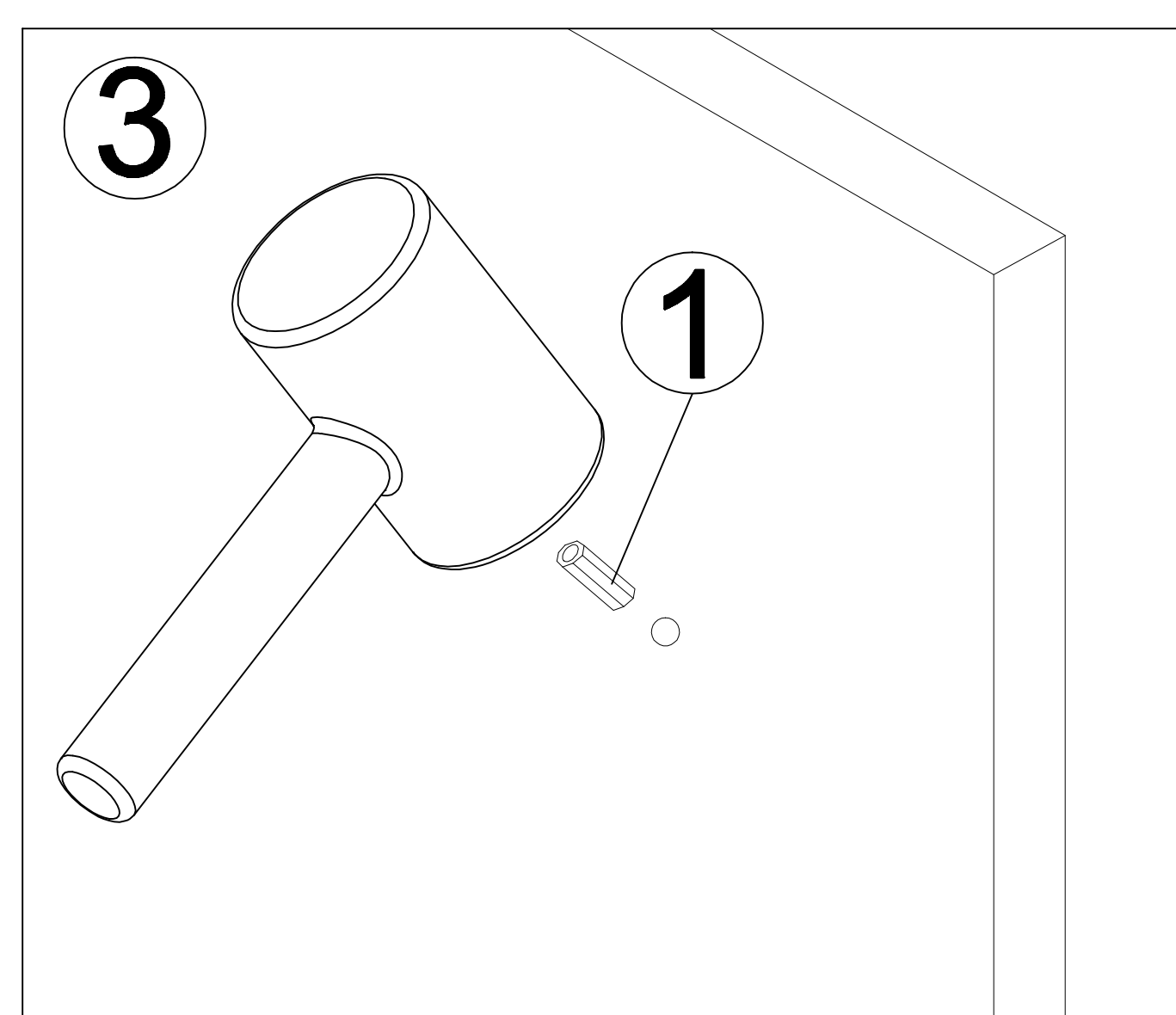
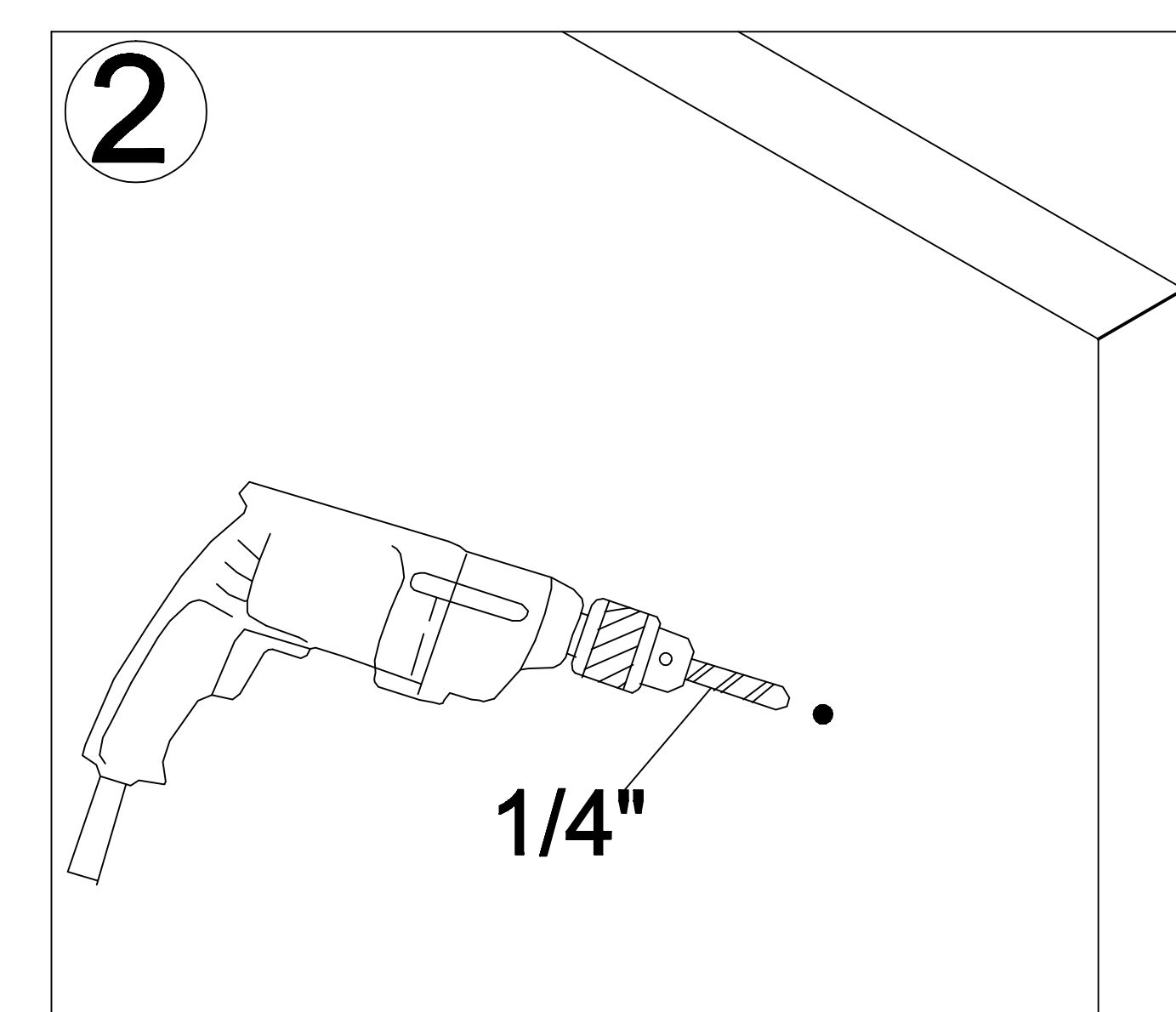
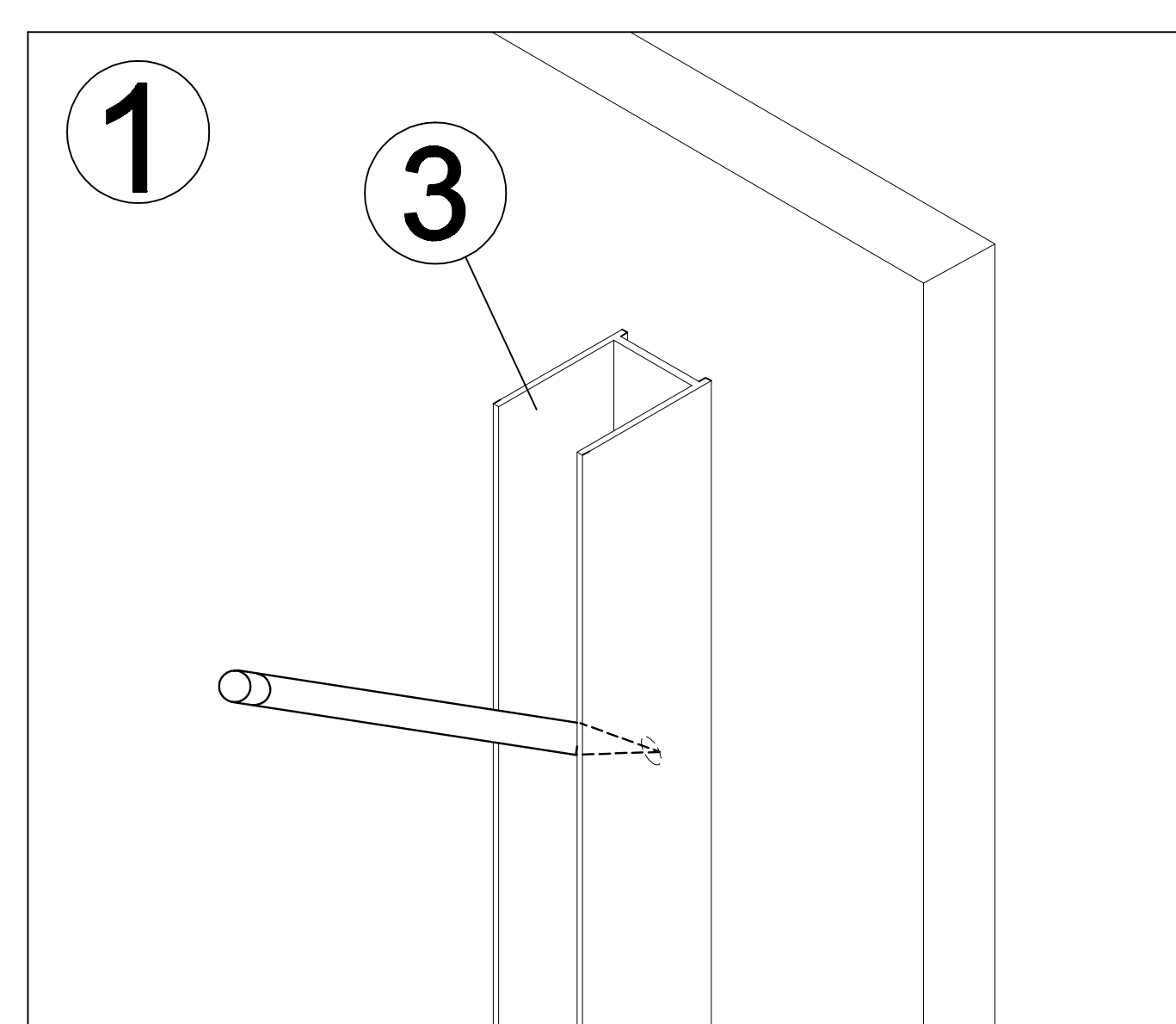
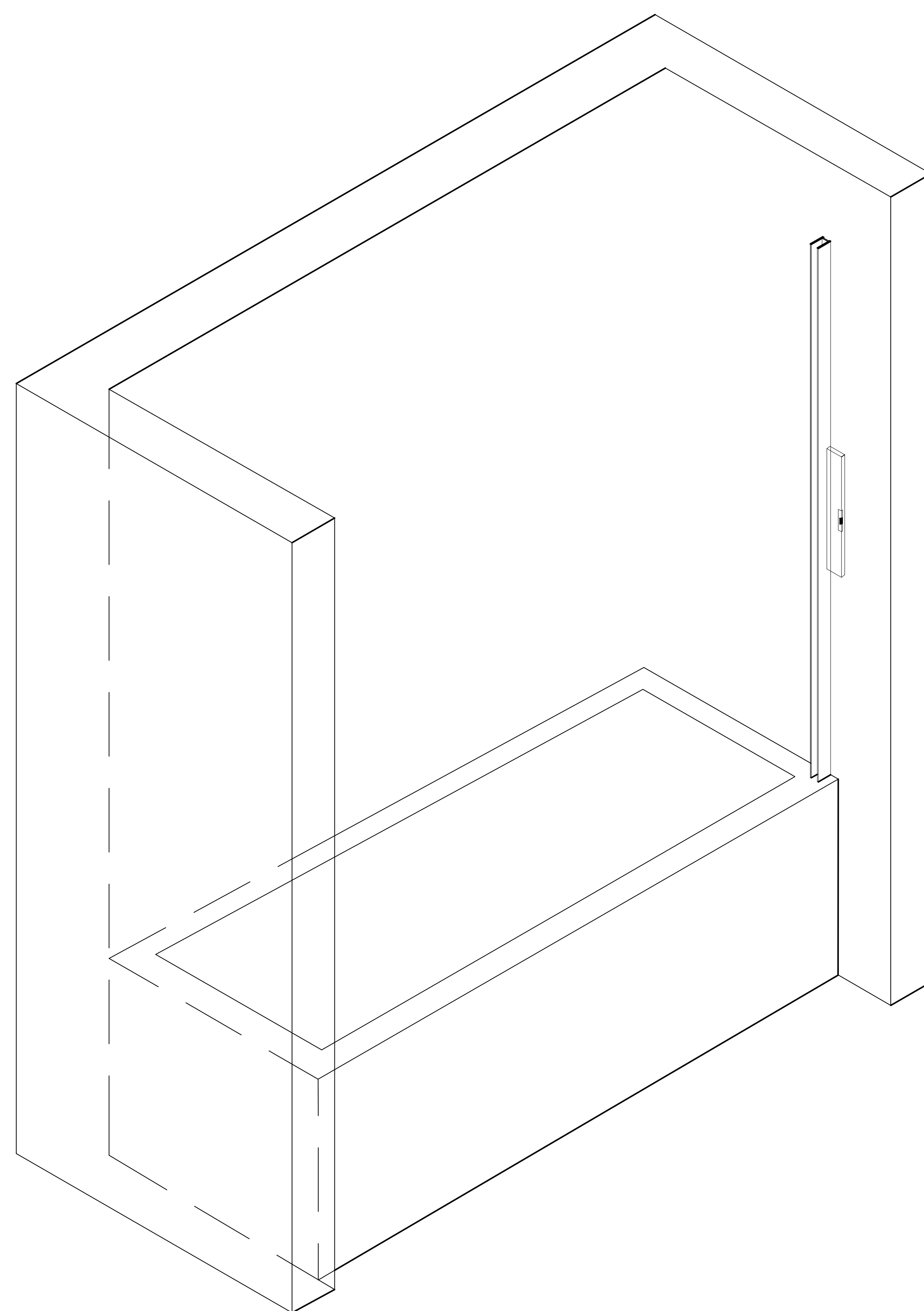
1. Hold wall-mounted stabilizer strip for fixed panel(3) against the wall, level it vertical and mark the hole positions with pencil.
2. Take off wall-mounted stabilizer strip(3) and drill holes on markings.
3. Hammer the plug 6*28(1) into hole.
4. Secure wall-mounted stabilizer strip(3) with 4*30 screws(2).



Right Hand Assembly

STEP 1

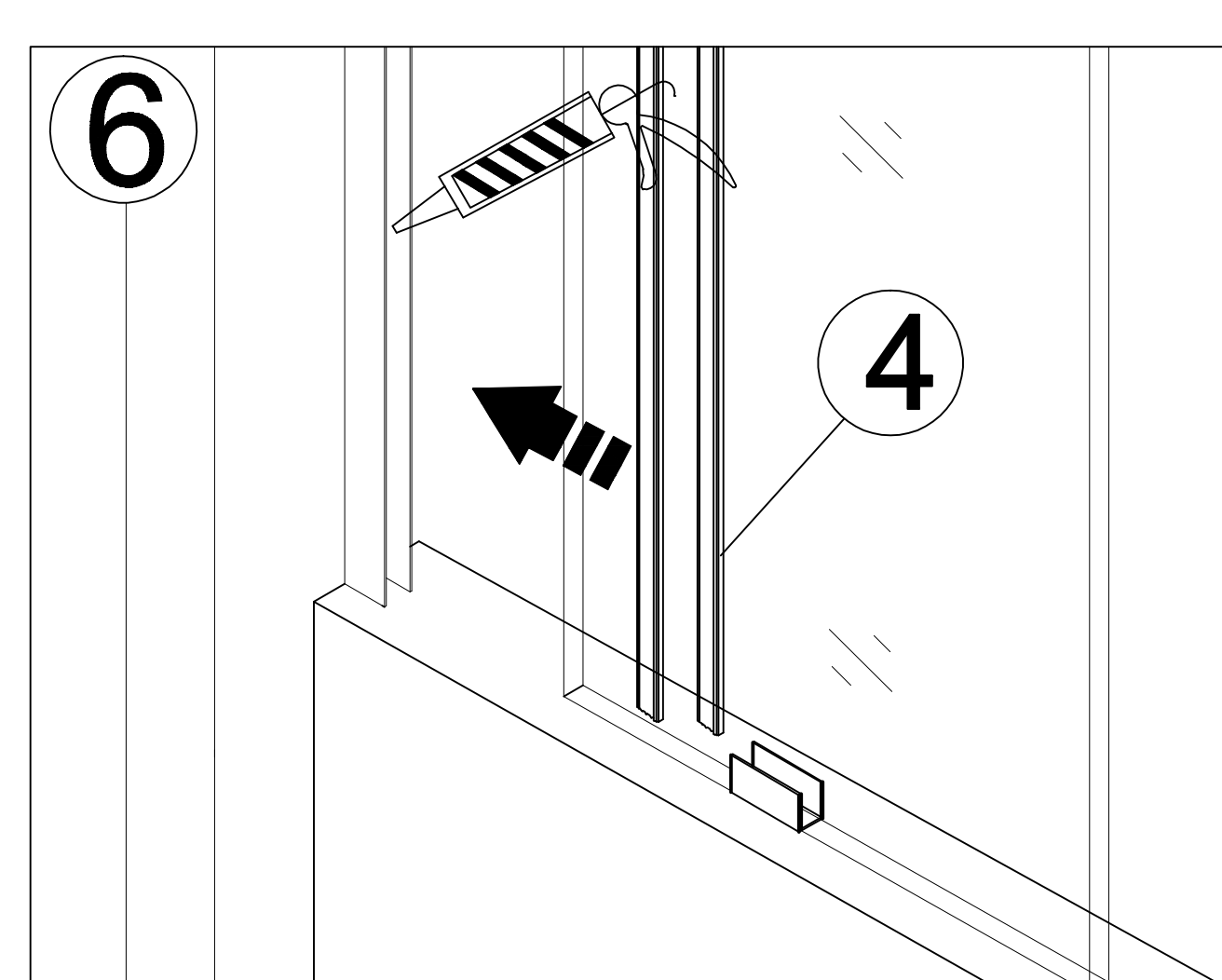
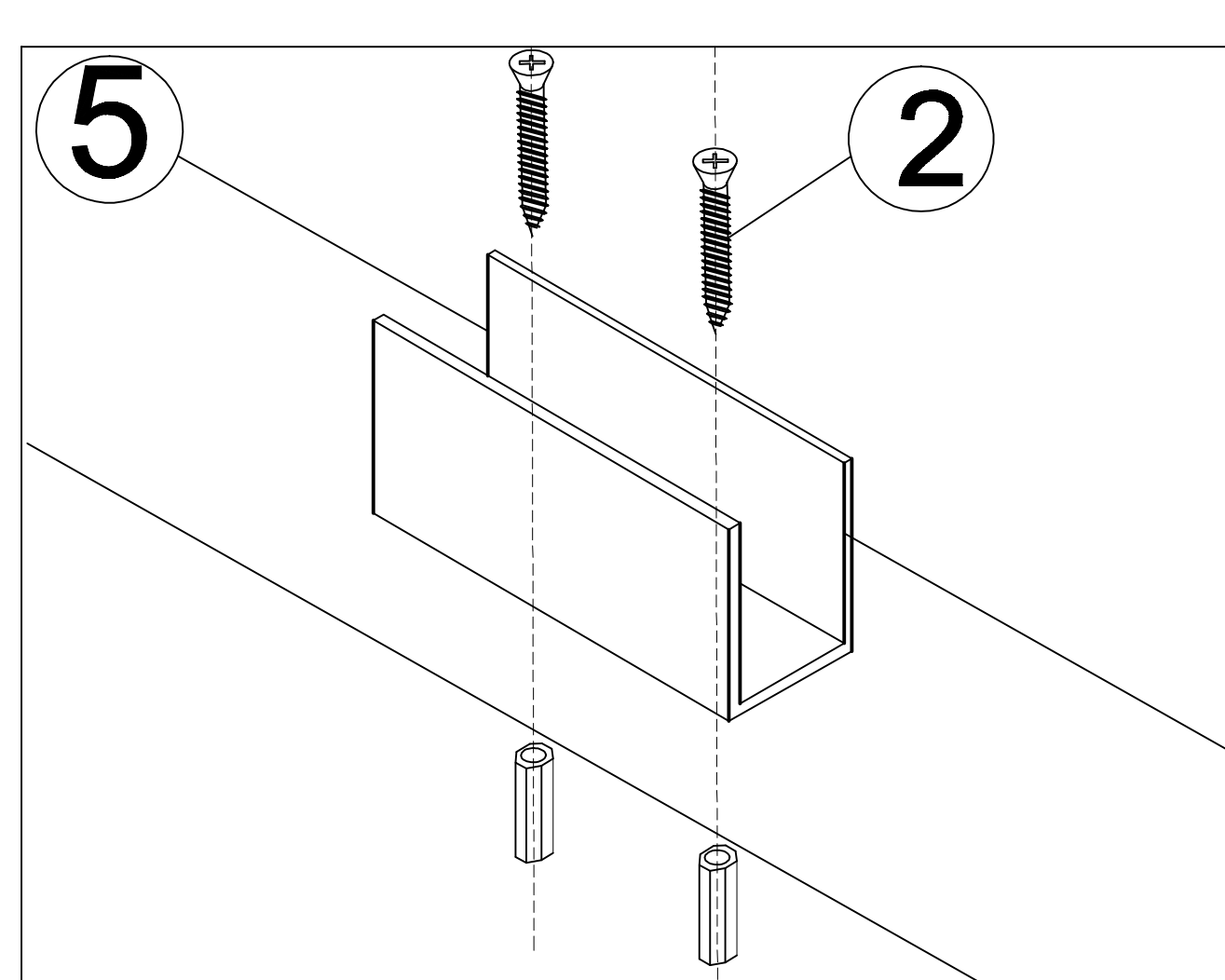
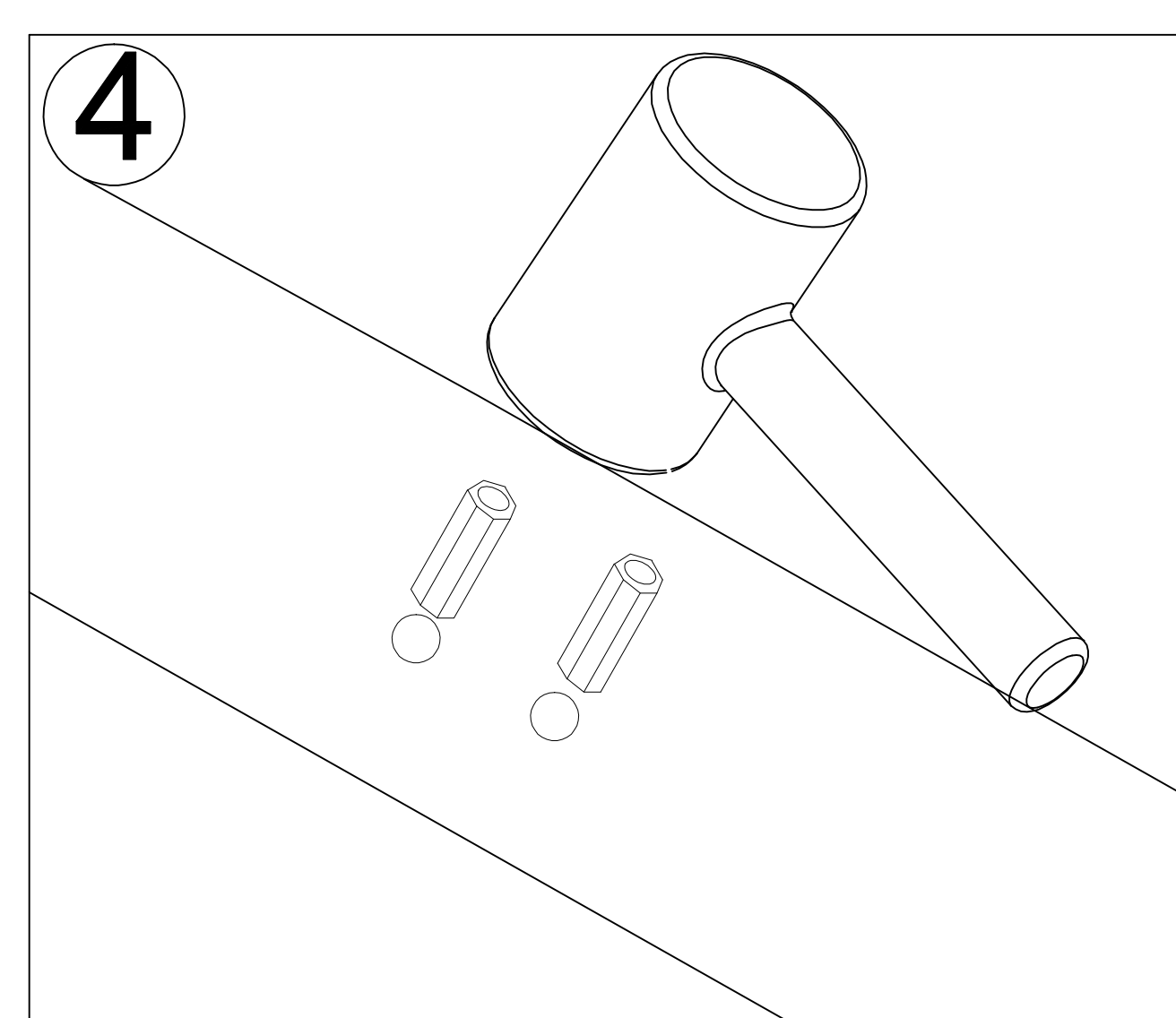
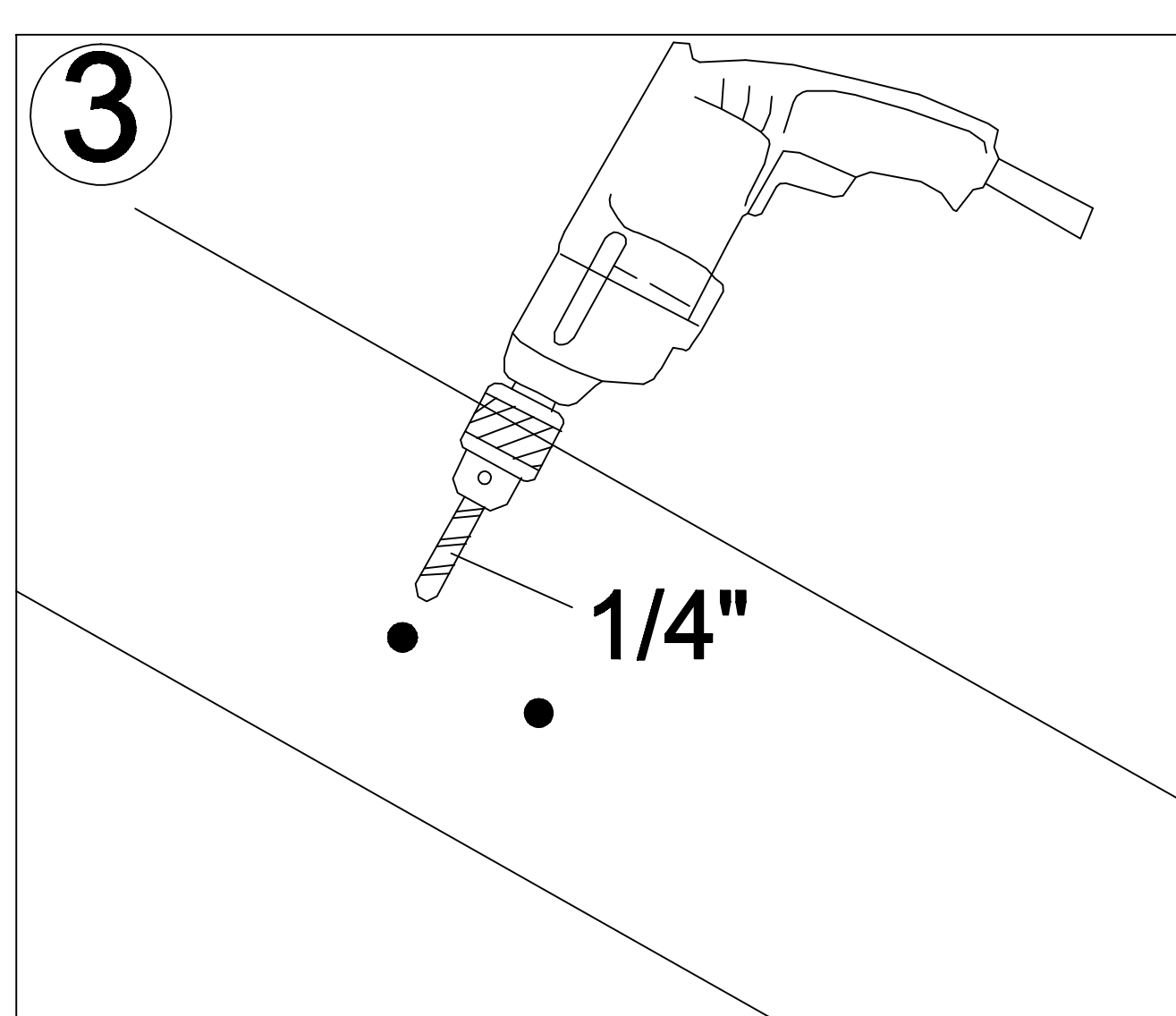
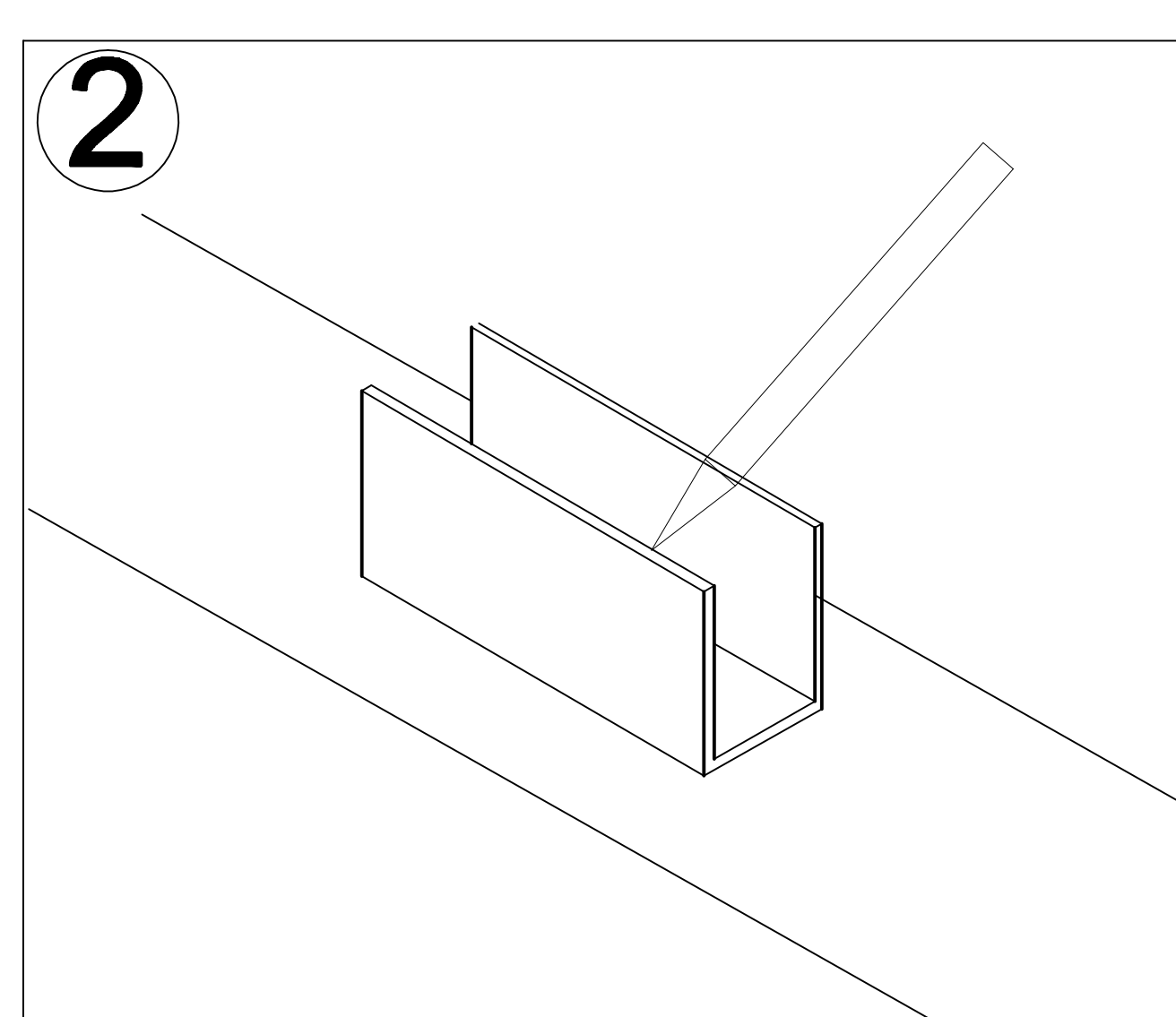
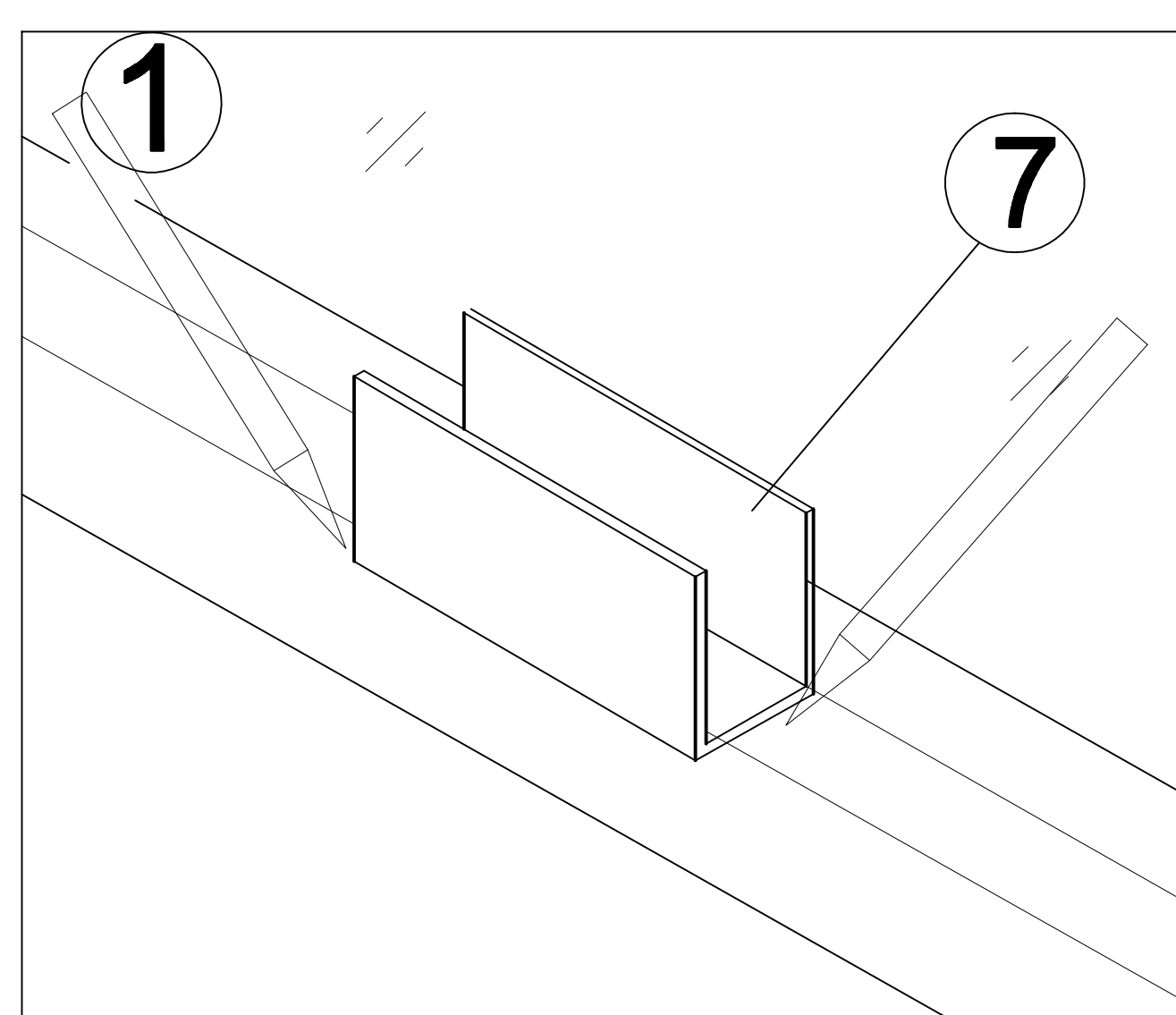
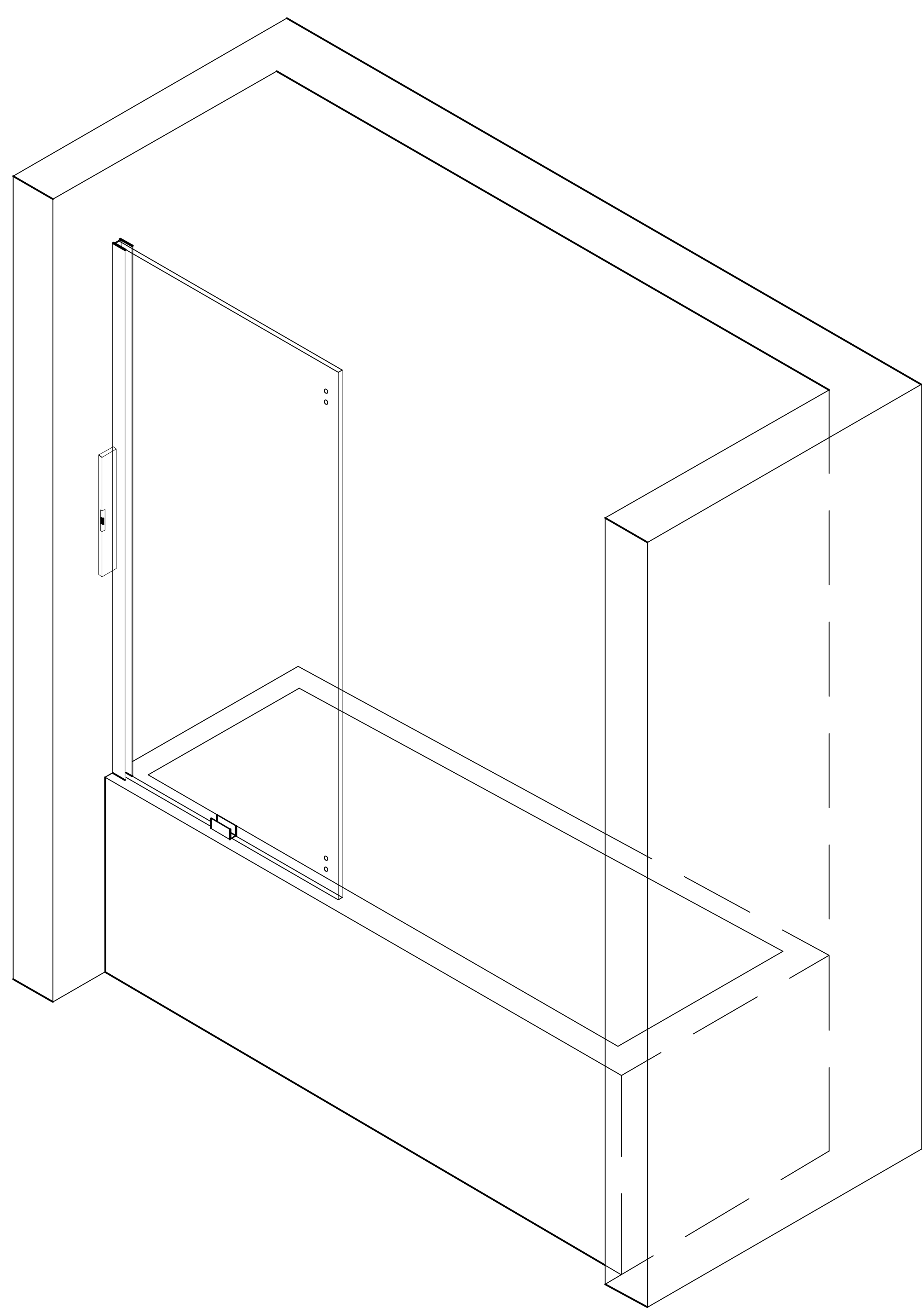
1. Hold wall-mounted stabilizer strip for fixed panel(3) against the wall, level it vertical and mark the hole positions with pencil.
2. Take off wall-mounted stabilizer strip(3) and drill holes on markings.
3. Hammer the plug 6*28(1) into hole.
4. Secure wall-mounted stabilizer strip(3) with 4*30 screws(2).



Left Hand Assembly

STEP 2

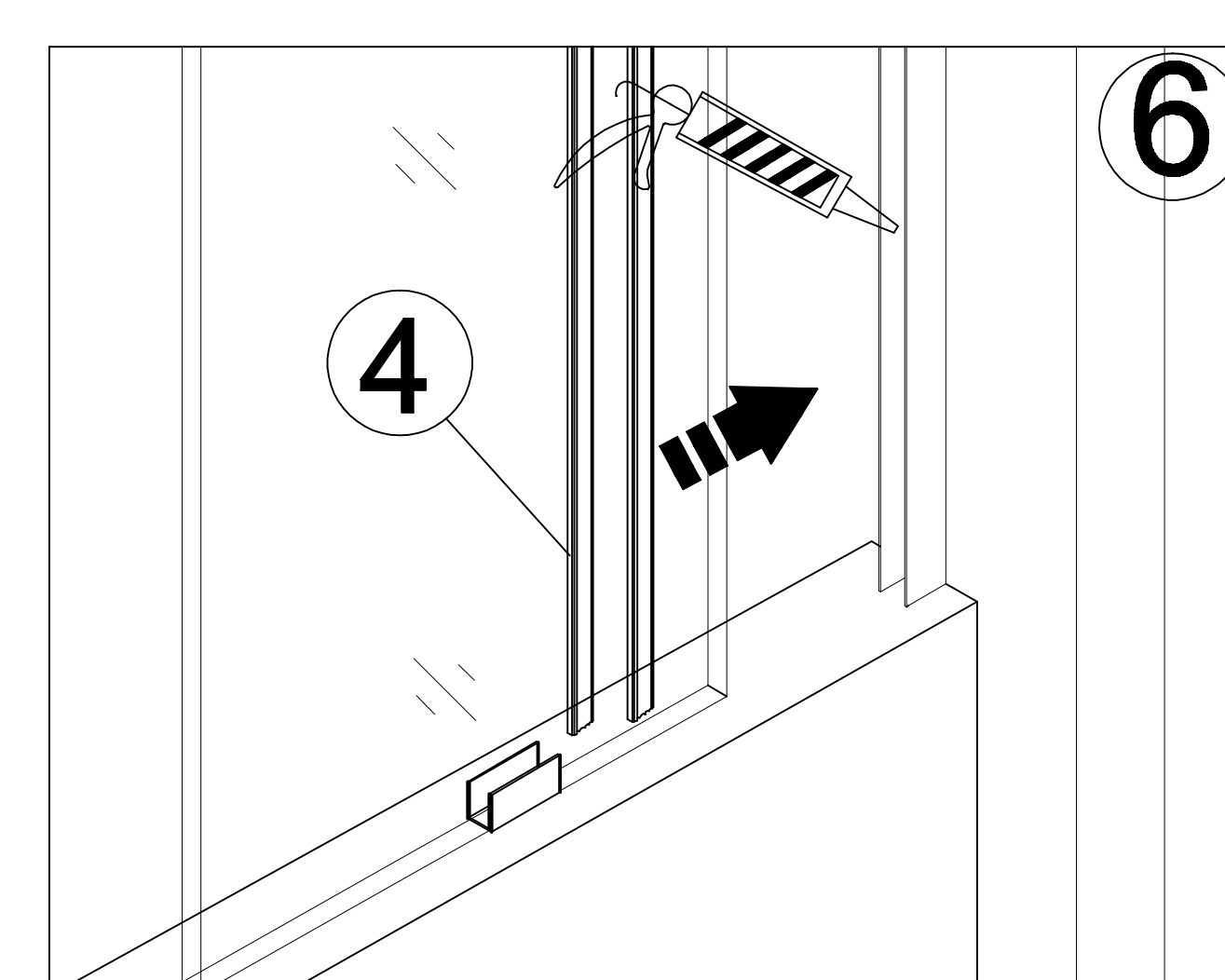
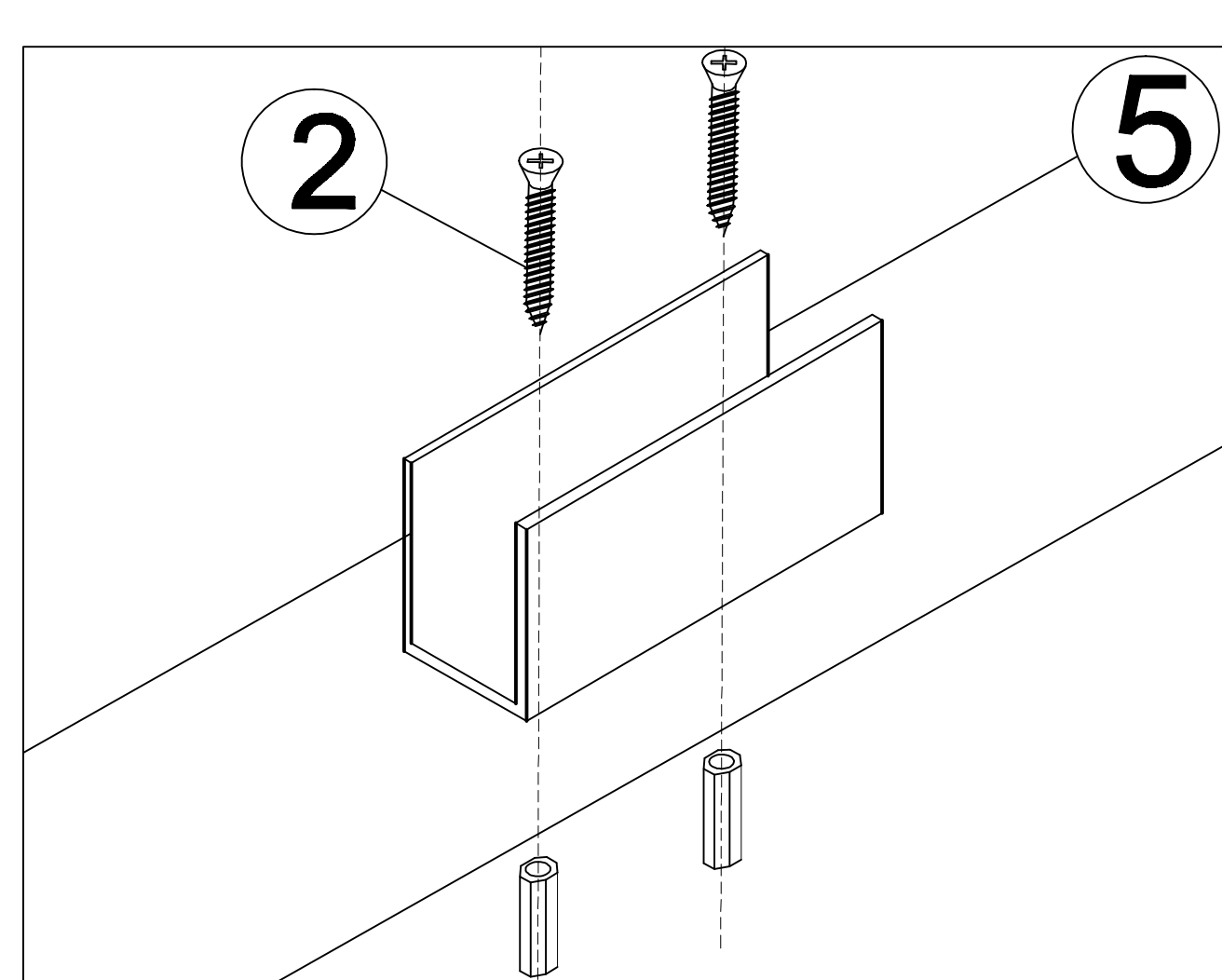
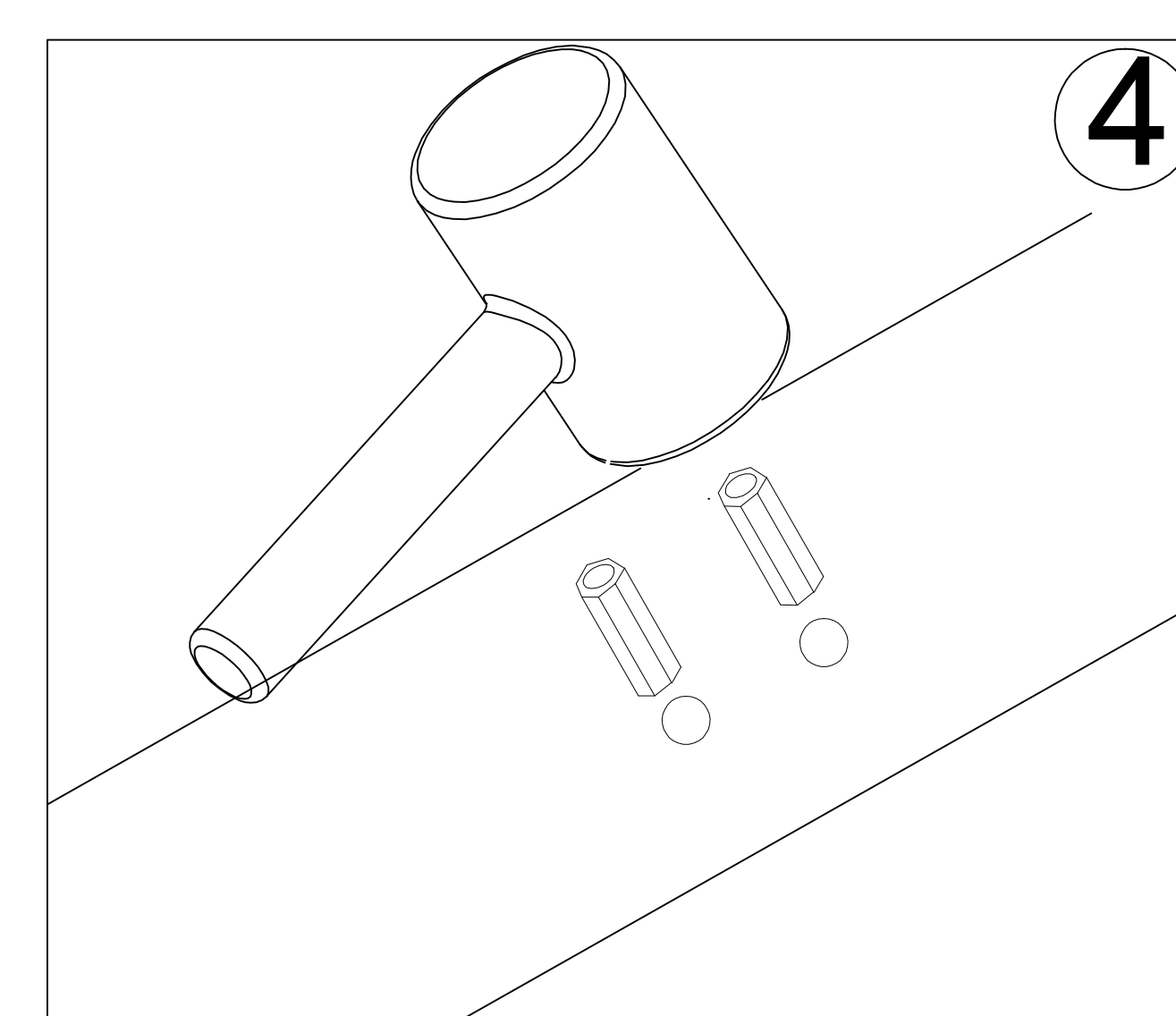
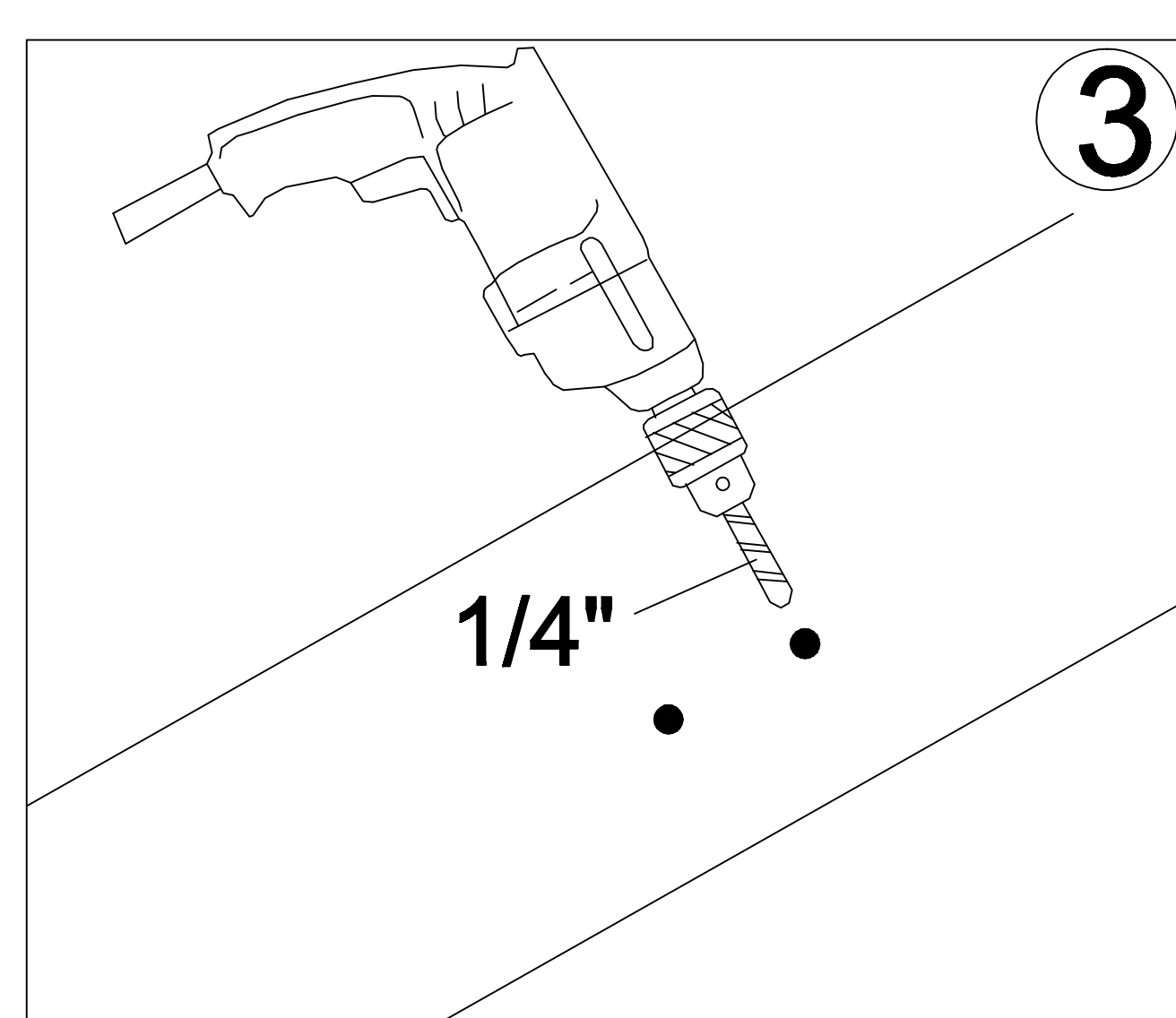
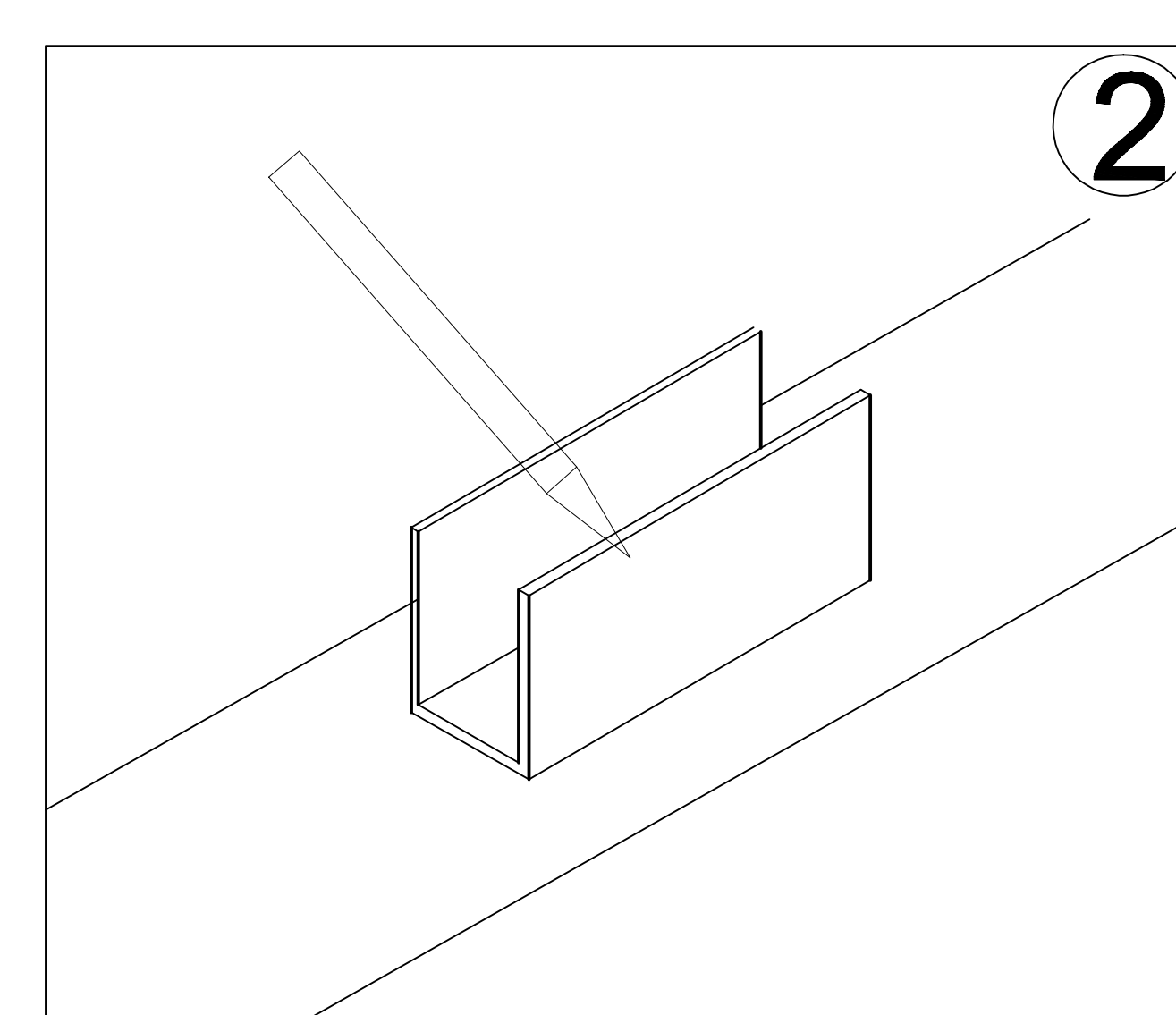
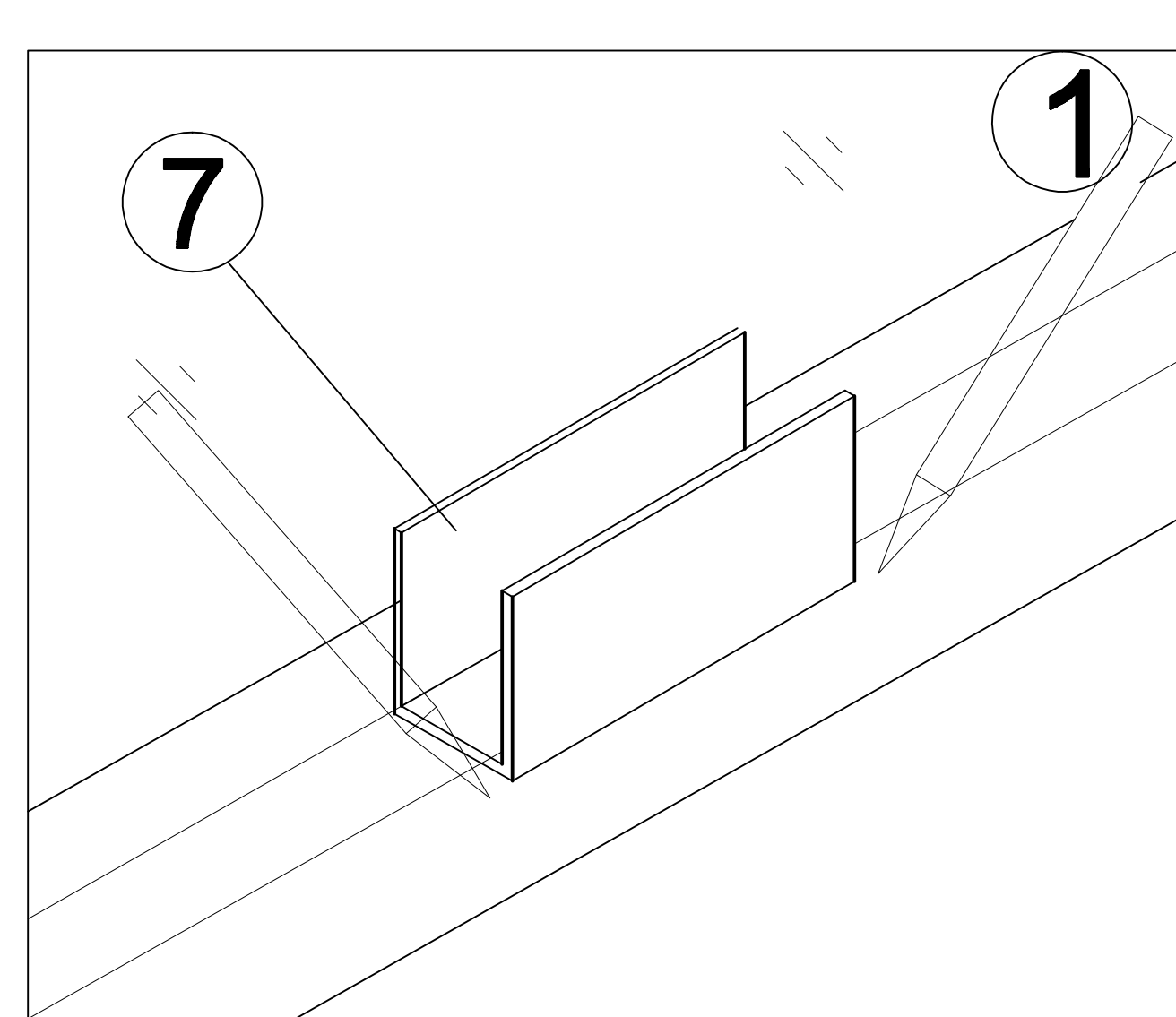
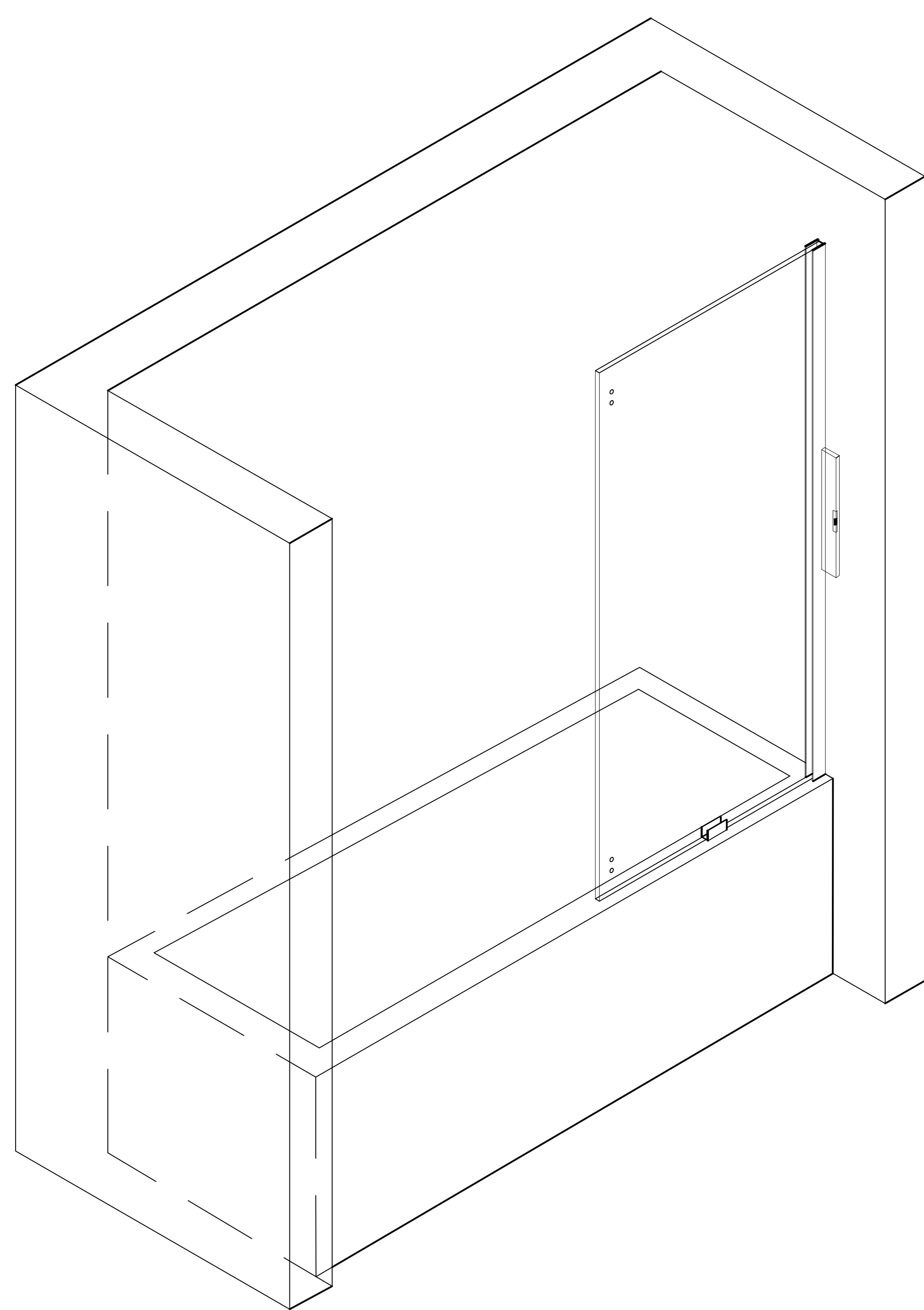
1. Lay glass clamp(7) on the tile, place the fixed panel(5) base part into glass clamp(7), fit fixed panel(5) into wall-mounted stabilizer strip(3), level it vertical with level and mark the clamp(7) position with pencil.
2. Take off fixed panel(5), then place glass clamp(7) on the marking and mark the hole position with pencil.
3. Take off clamp(7) and drill holes on the markings.
4. Hammer the plug 6*28(1) into the hole.
5. Secure the glass clamp(7) with 4*30 screw(2).
6. Fill a small amount of silicone in inner wall-mounted stabilizer strip for fixed panel(3), then place the fixed panel(5) base part into glass clamp(7) and fit fixed panel(5) and the two one-sided plastic strips(4) into wall-mounted stabilizer strip(3) Then push the fixed panel into the wall-mounted stabilizer strip for fixed panel, and finally snap the one-sided plastic strip into the gap between the fixed panel and the all-mounted stabilizer strip for fixed panel



Right Hand Assembly

STEP 2

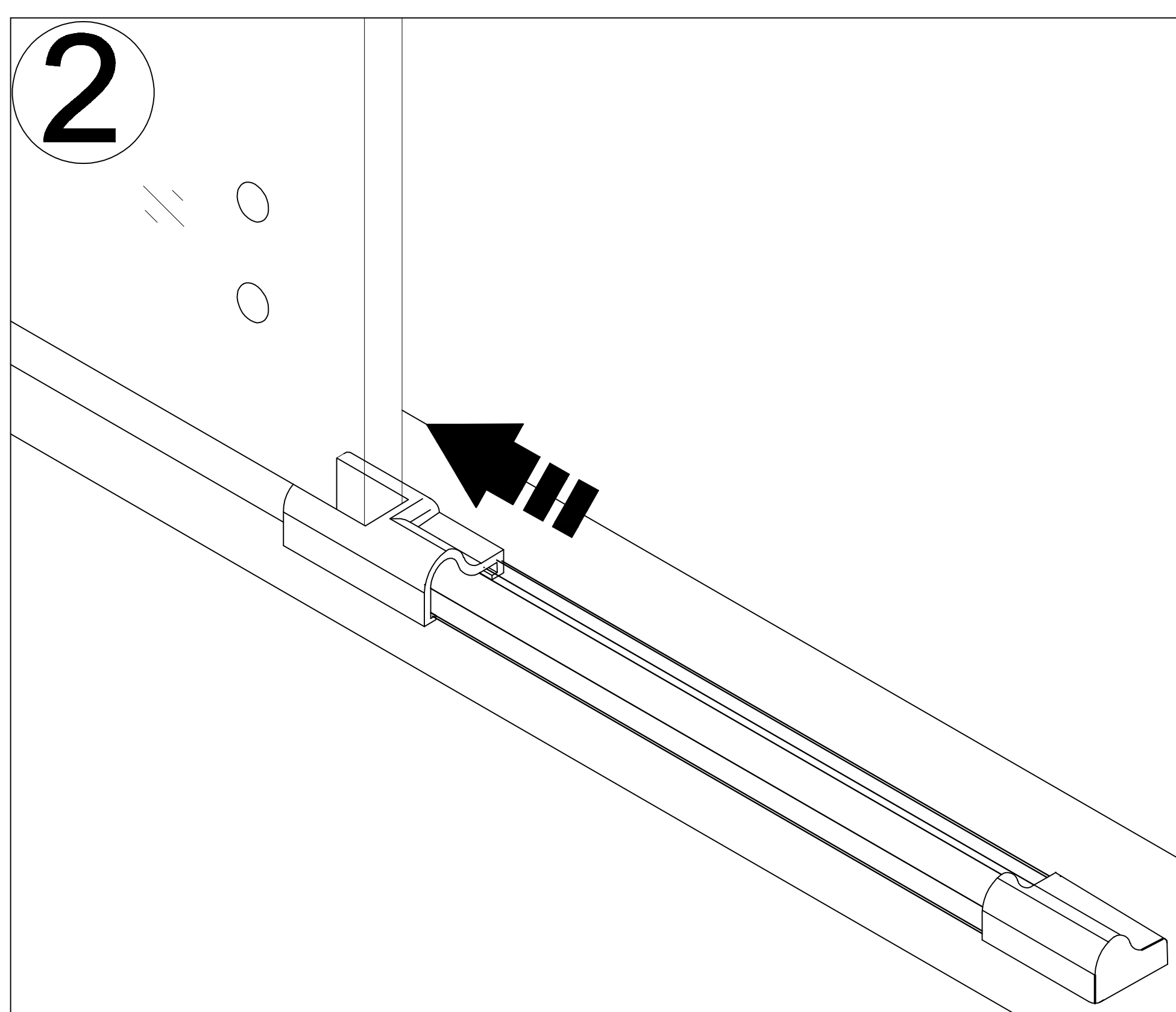
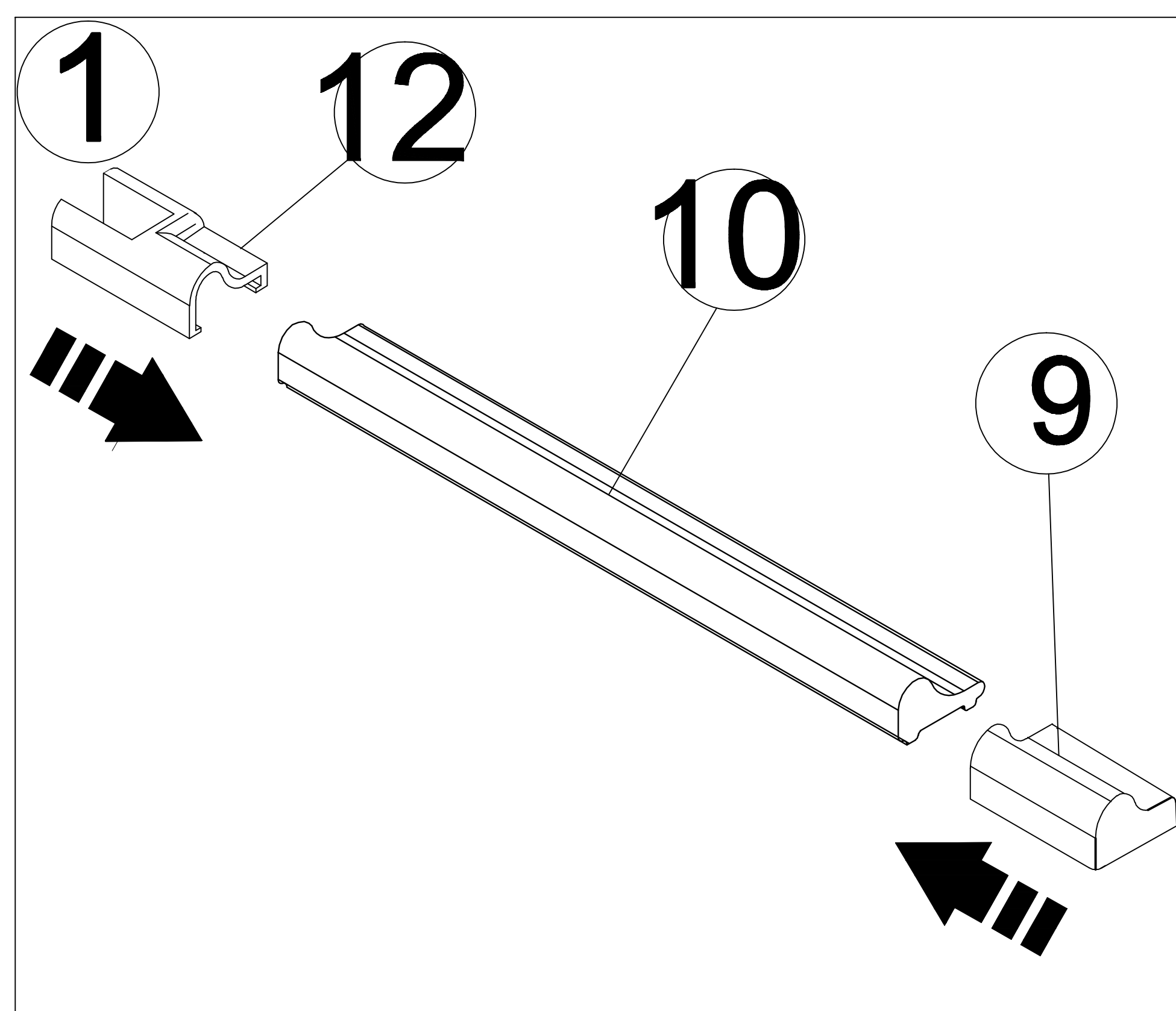
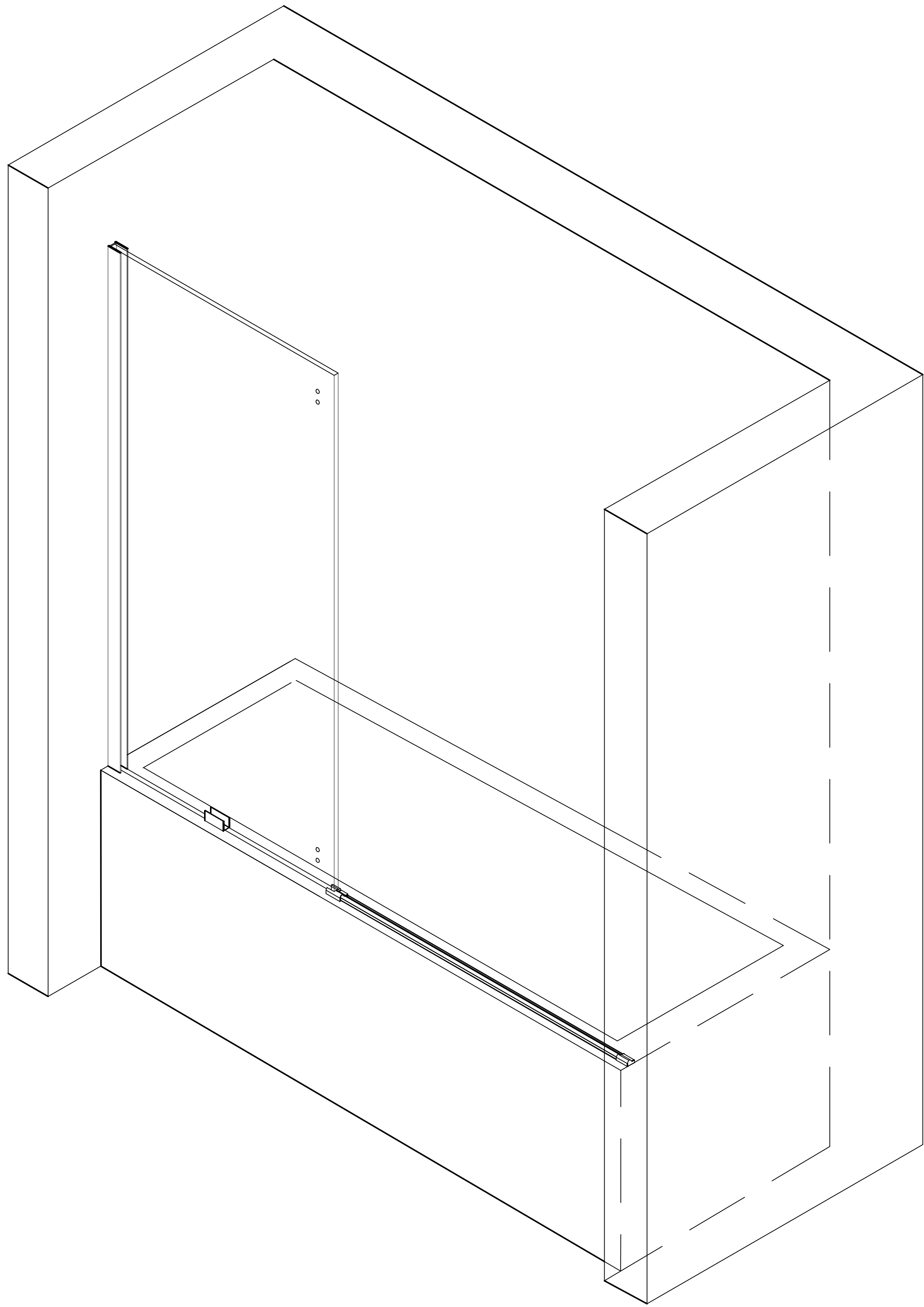
1. Lay glass clamp(7) on the tile, place the fixed panel(5) base part into glass clamp(7), fit fixed panel(5) into wall-mounted stabilizer strip(3), level it vertical with level and mark the clamp(7) position with pencil.
2. Take off fixed panel(5), then place glass clamp(7) on the marking and mark the hole position with pencil.
3. Take off clamp(7) and drill holes on the markings.
4. Hammer the plug 6*28(1) into the hole.
5. Secure the glass clamp(7) with 4*30 screw(2).
6. Fill a small amount of silicone in inner wall-mounted stabilizer strip for fixed panel(3), then place the fixed panel(5) base part into glass clamp(7) and fit fixed panel(5) and the two one-sided plastic strips(4) into wall-mounted stabilizer strip(3) Then push the fixed panel into the wall-mounted stabilizer strip for fixed panel, and finally snap the one-sided plastic strip into the gap between the fixed panel and the all-mounted stabilizer strip for fixed panel



Left Hand Assembly

STEP 3

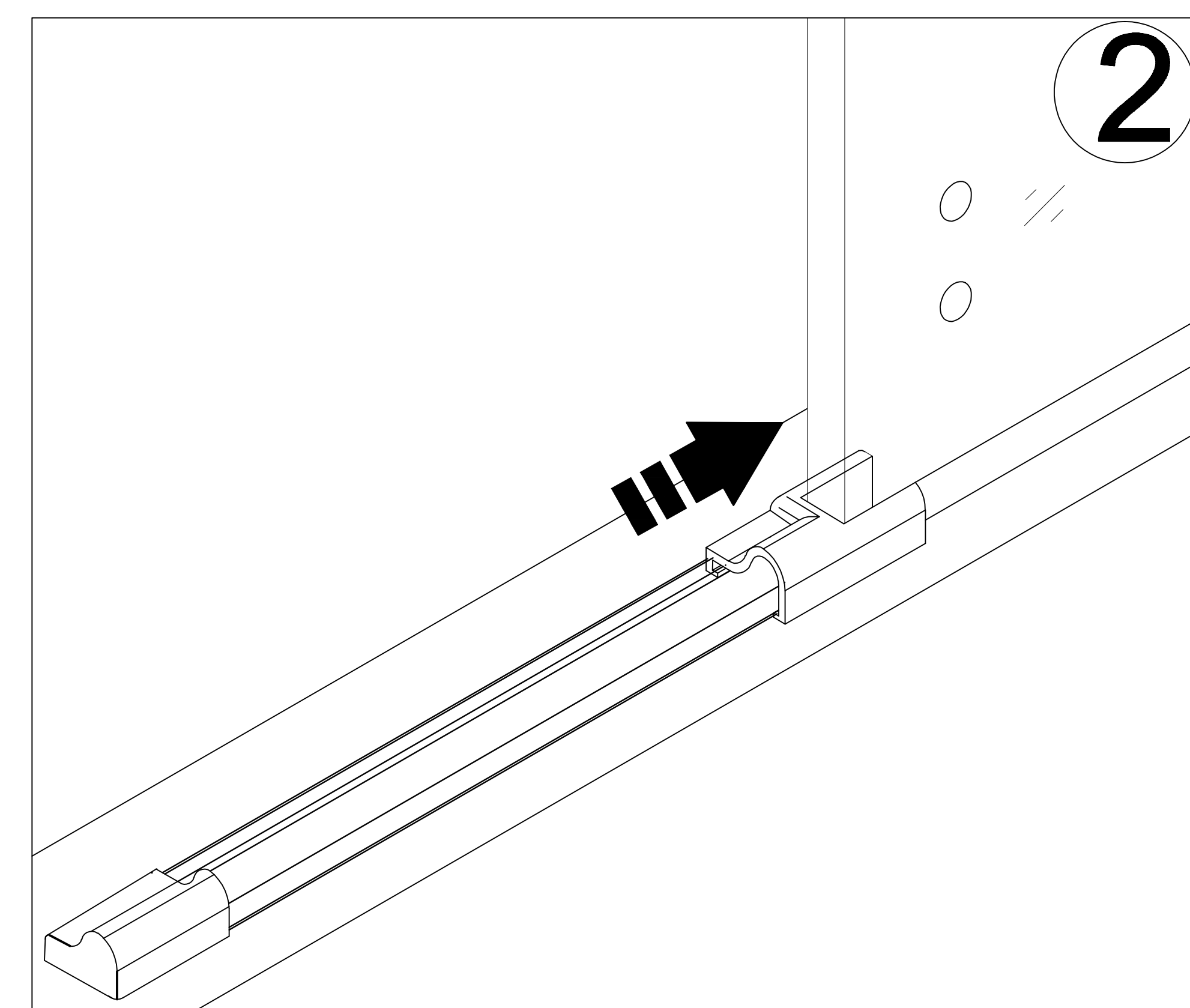
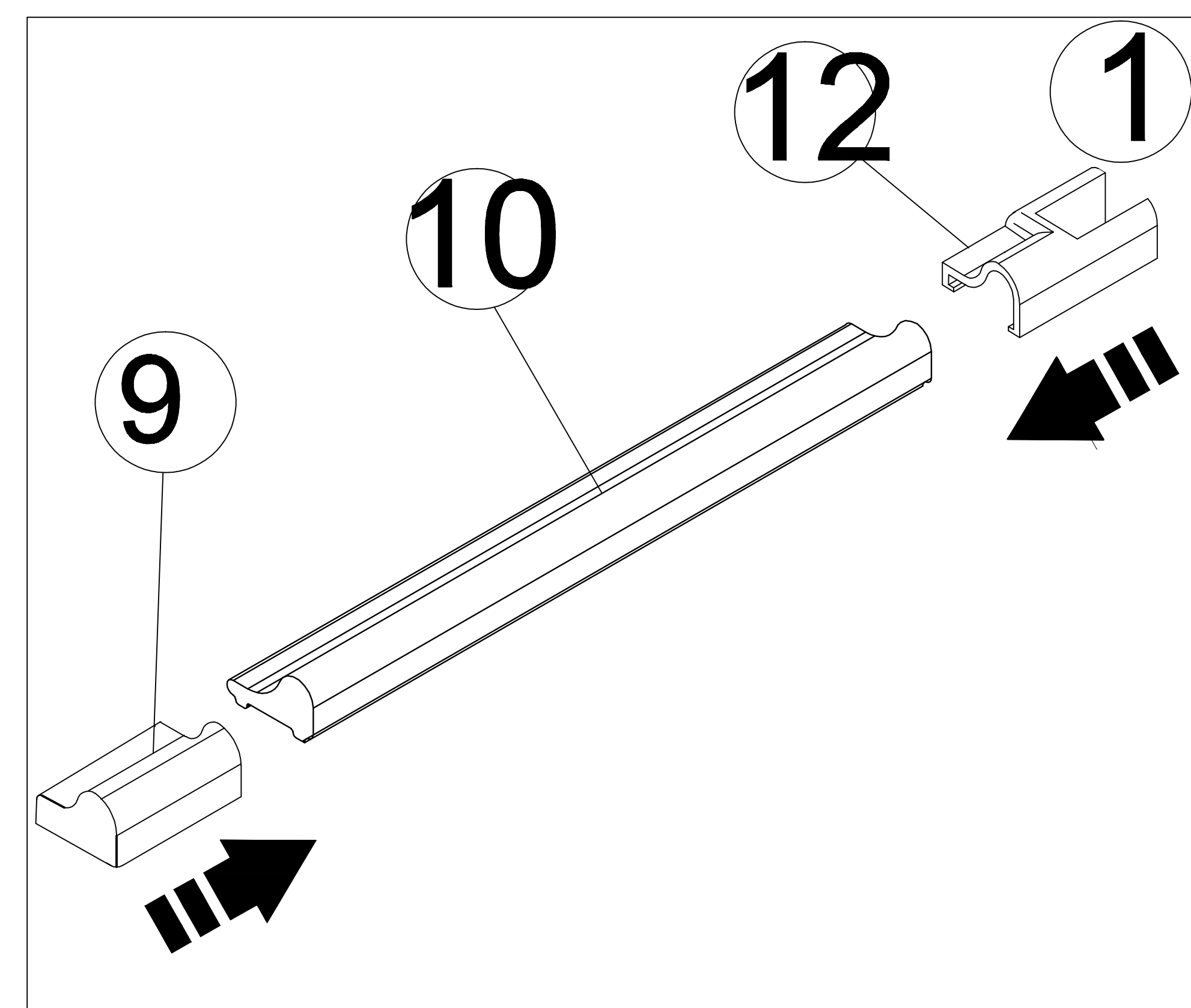
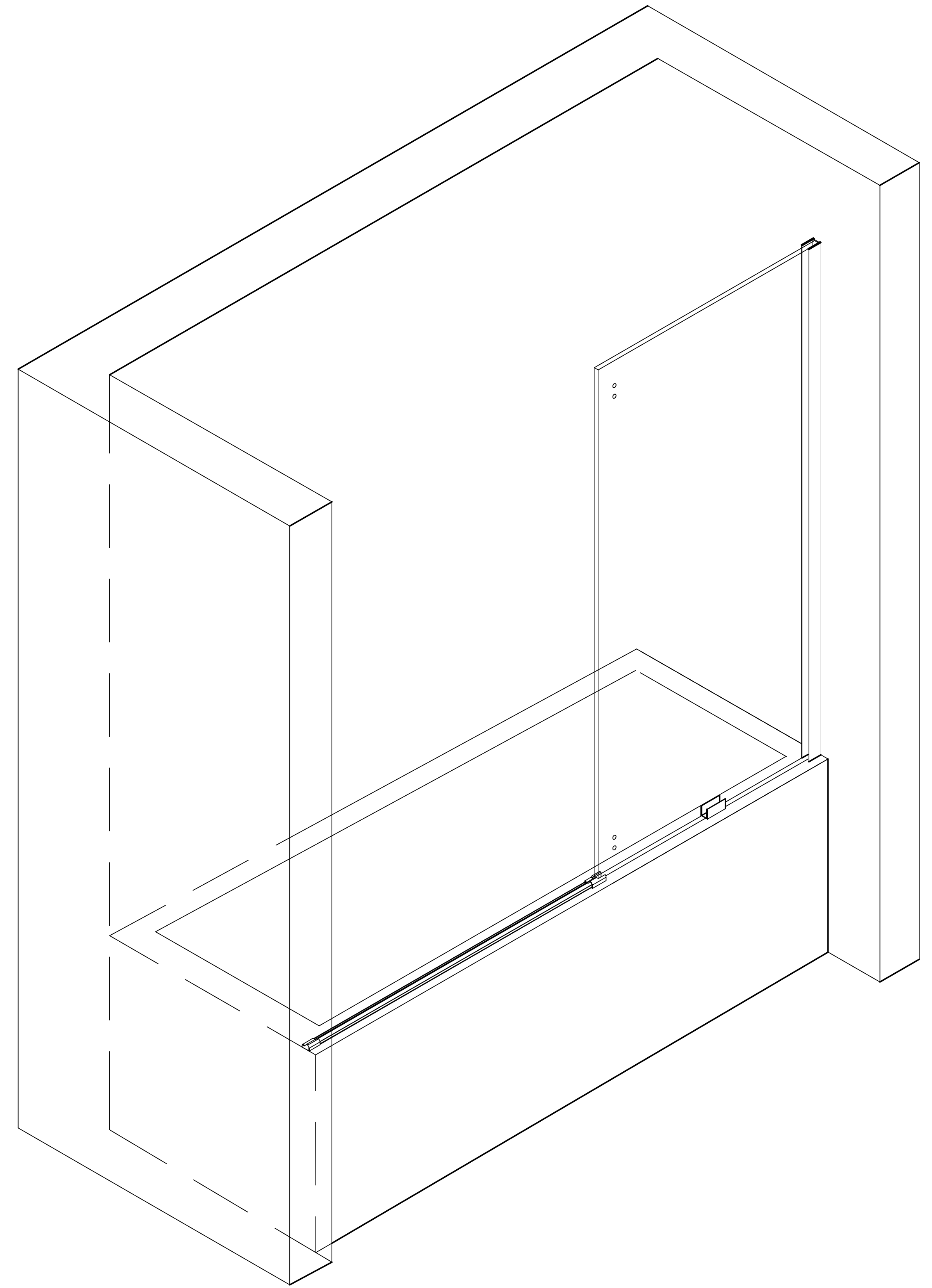
1. Assemble the left-side wall-mounted strip connector(9) and the right-side strip connector(12) to Aluminum strip(10).
2. Fit the connector(12)'s slot into fixed panel(5)



Right Hand Assembly

STEP 3

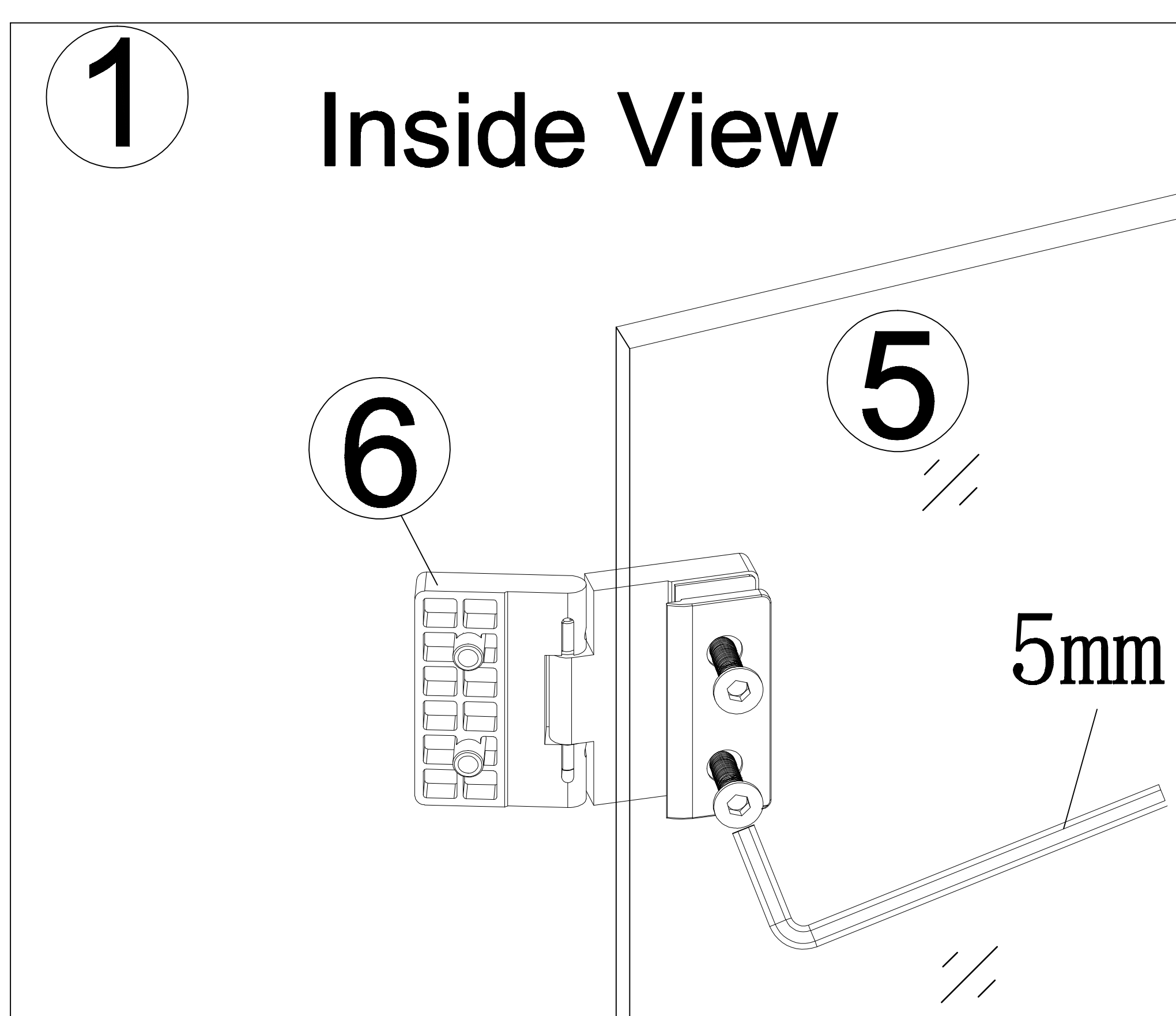
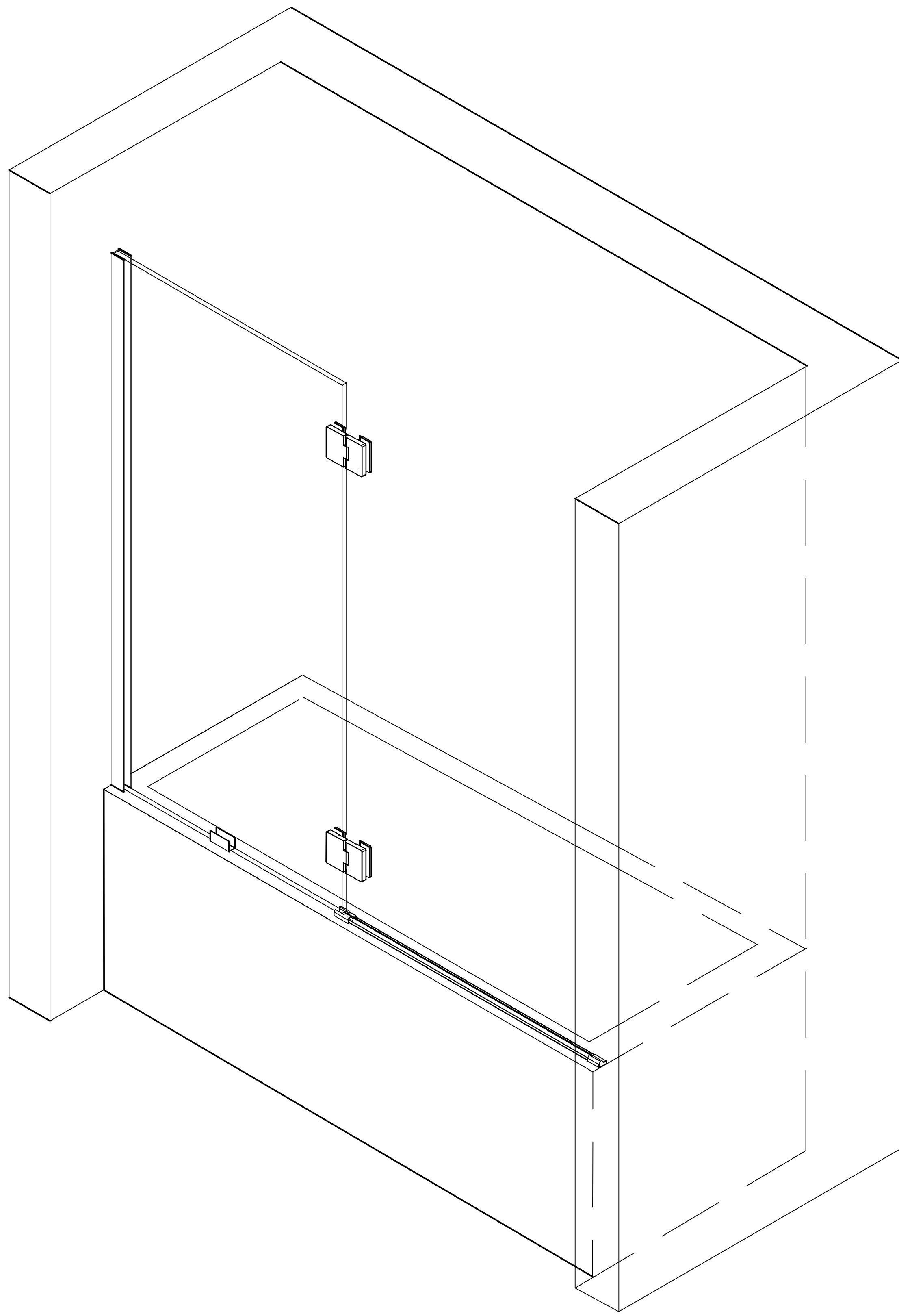
1. Assemble the right-side wall-mounted strip connector(9) and the left-side strip connector(12) to Aluminum strip(10).
2. Fit the connector(12)'s slot into fixed panel(5).



Left Hand Assembly

STEP 4

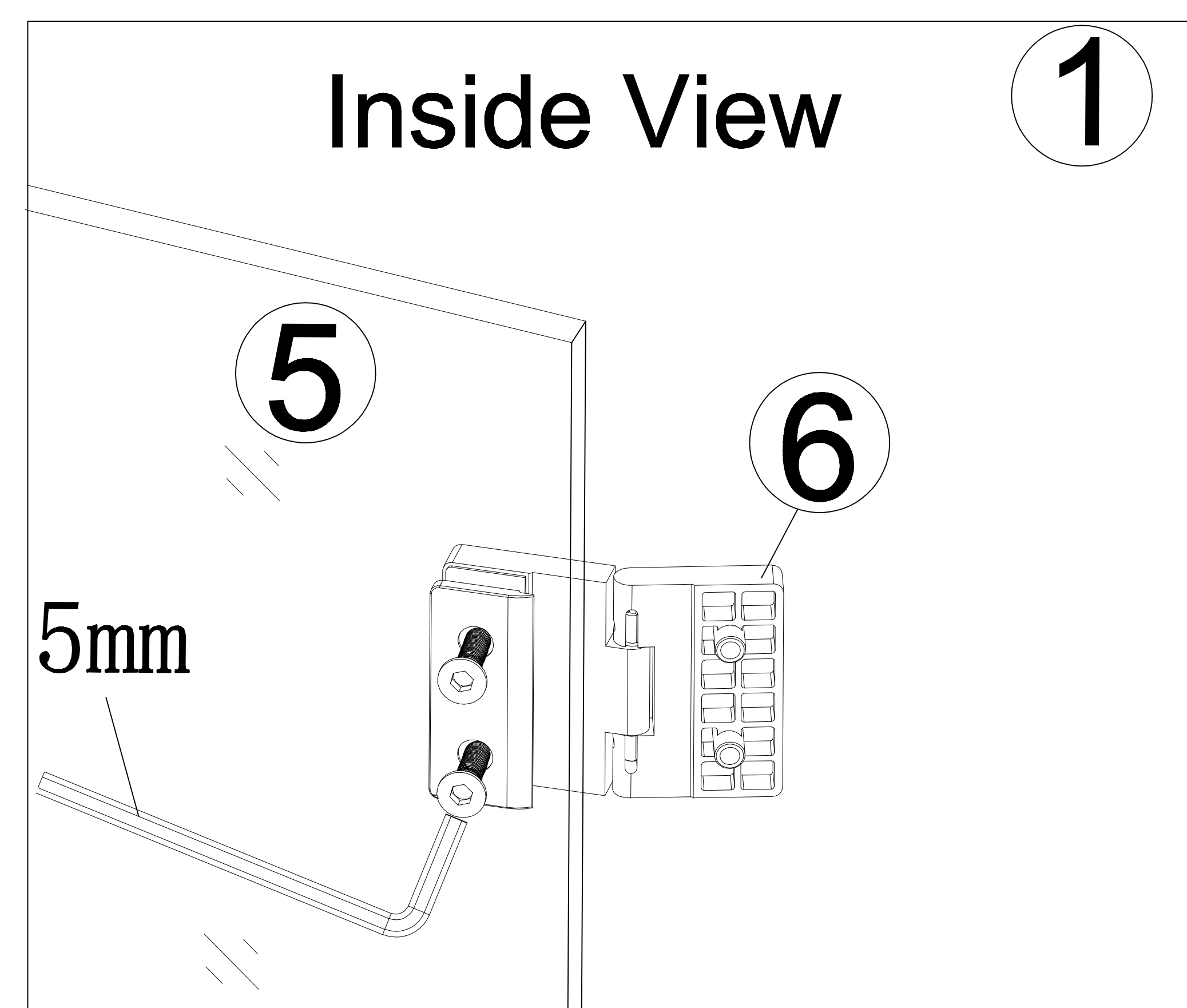
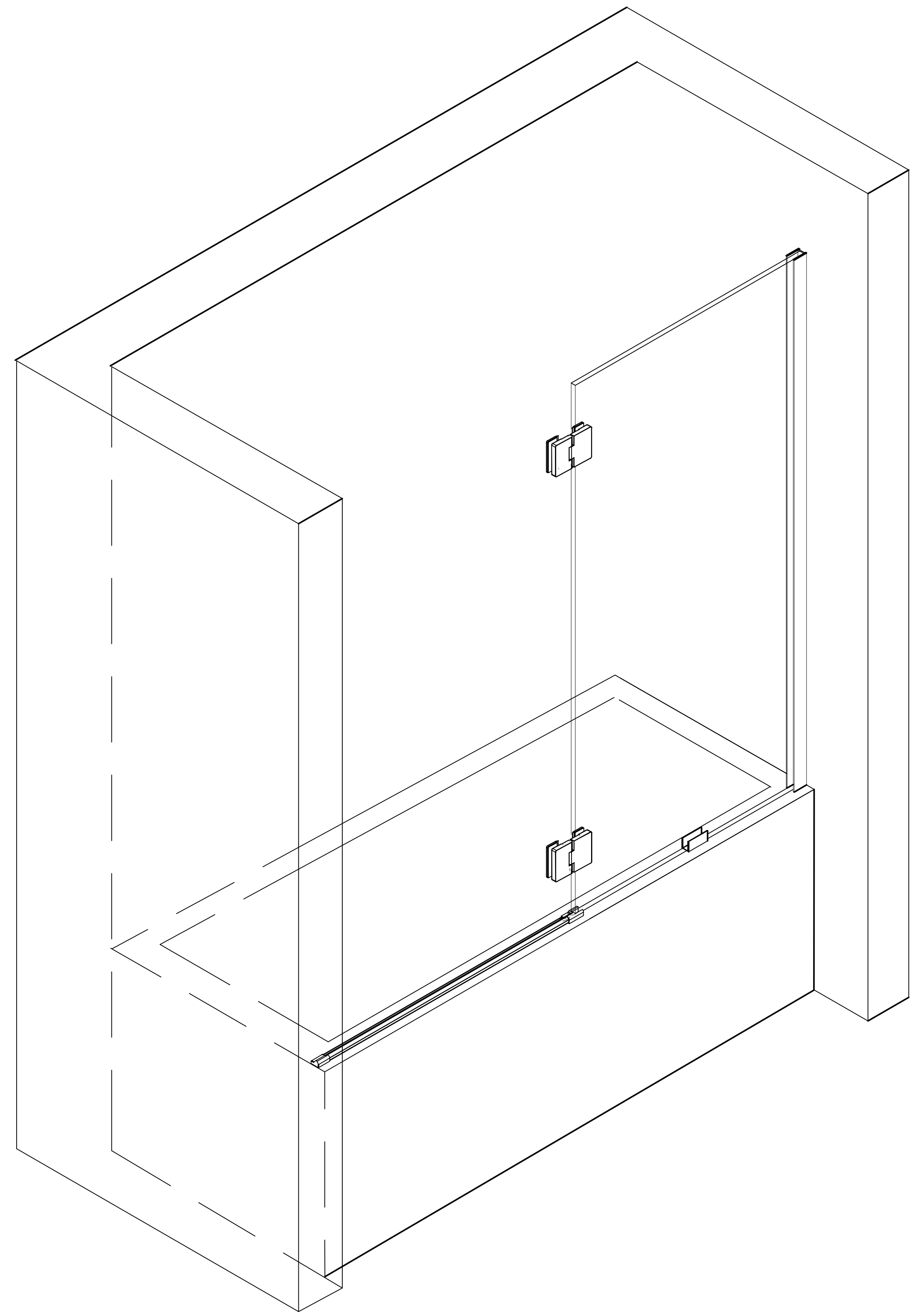
1. Assemble shower door hinges(6) on the movable shower door(13).



Right Hand Assembly

STEP 4

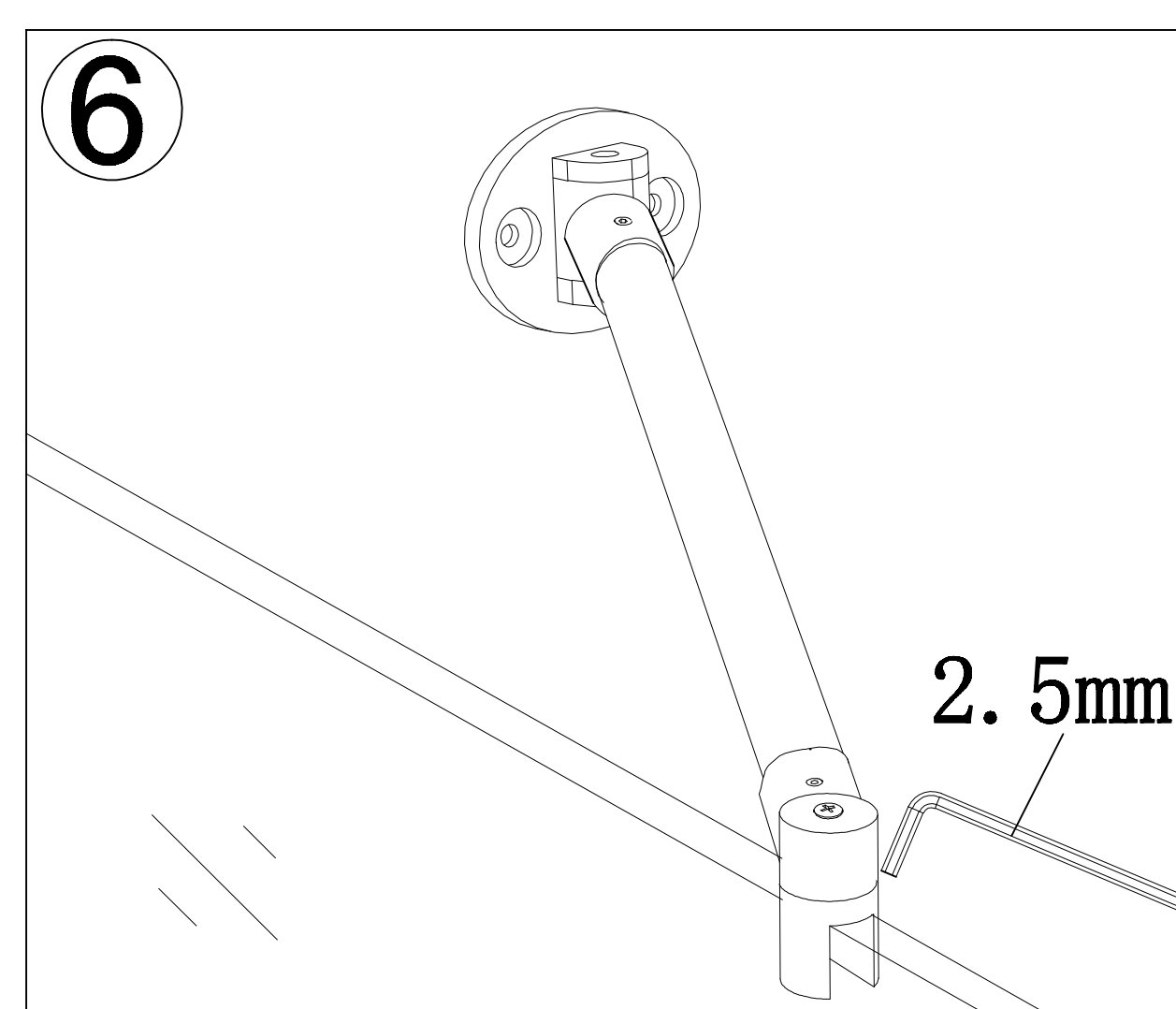
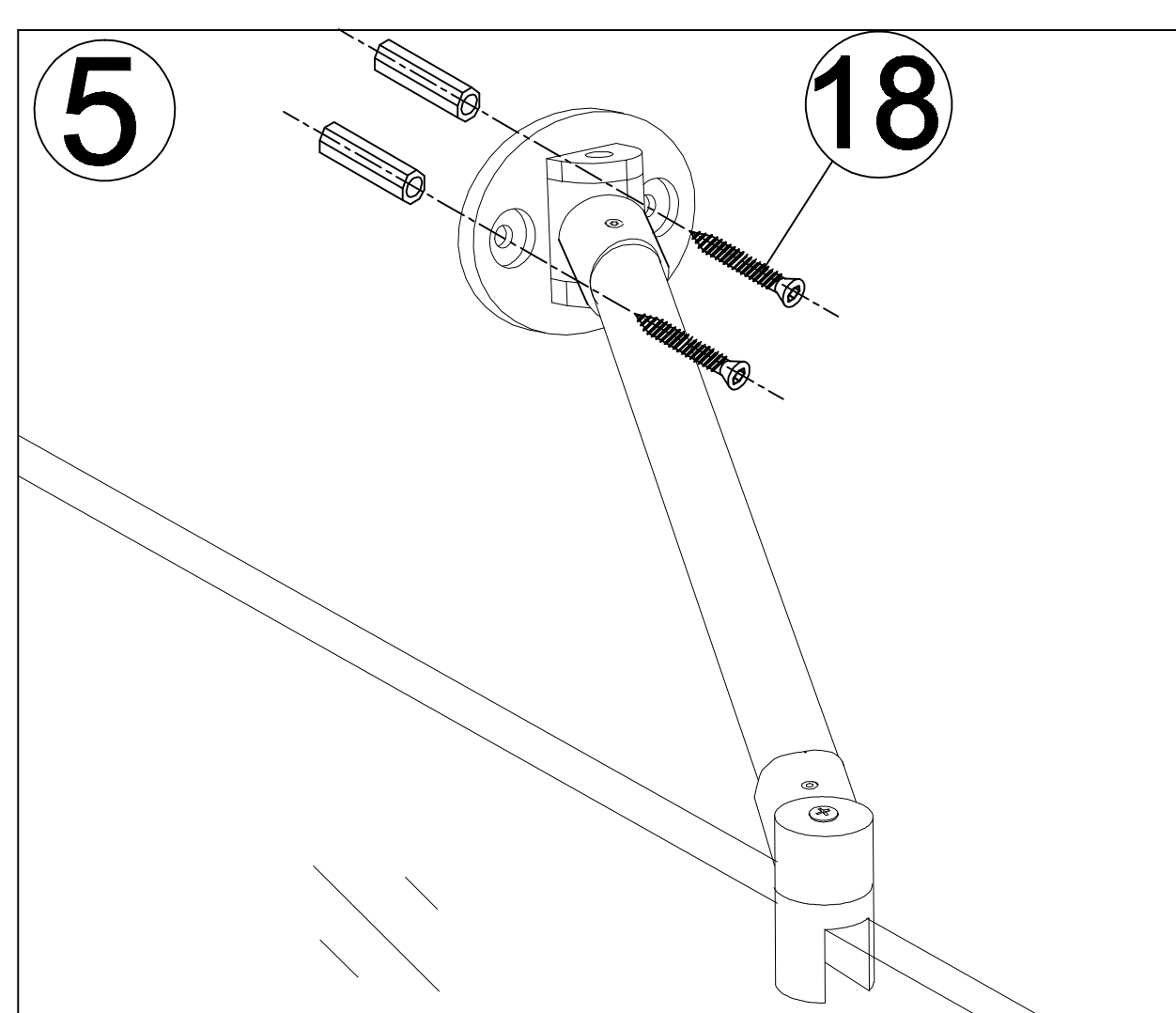
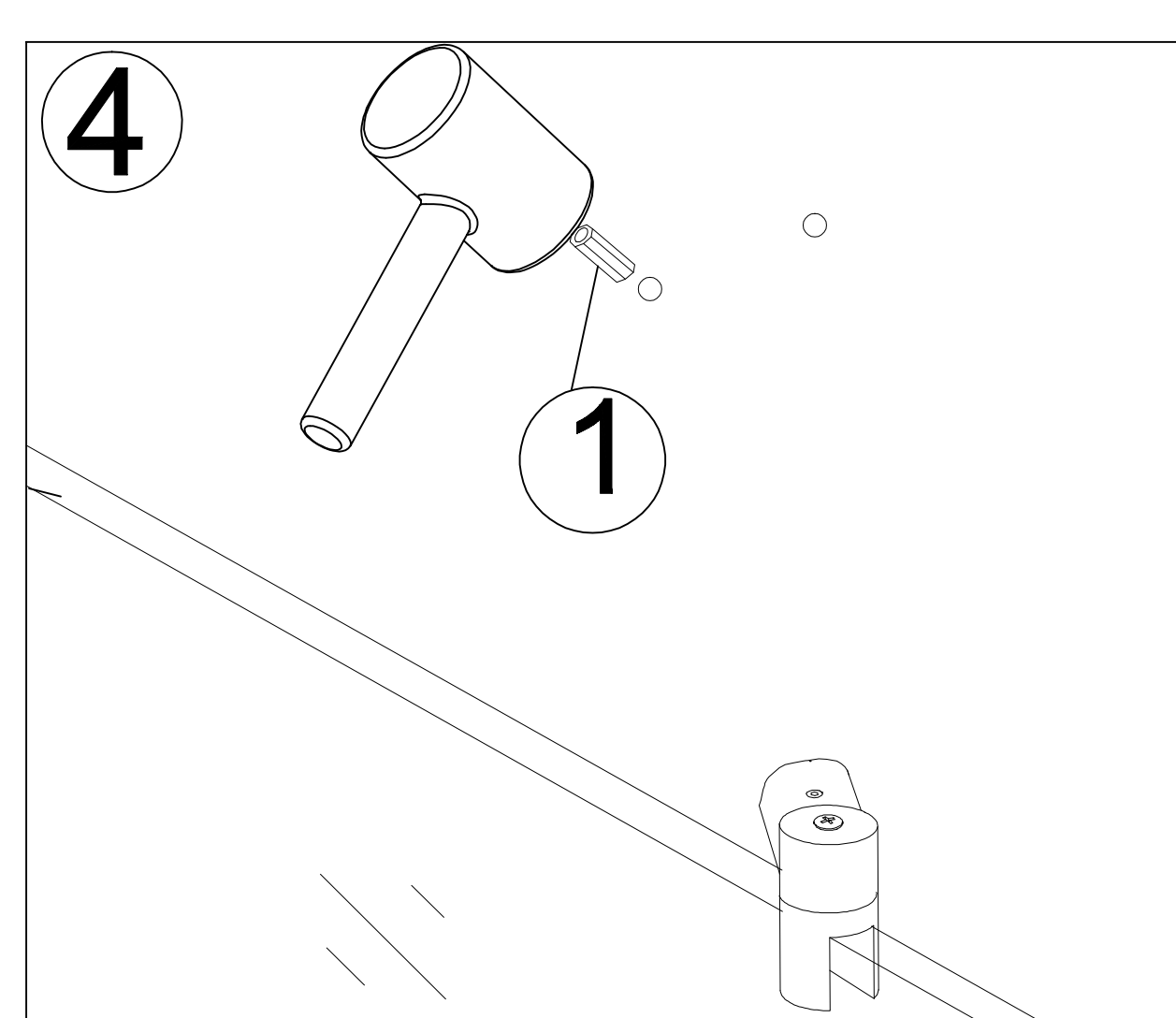
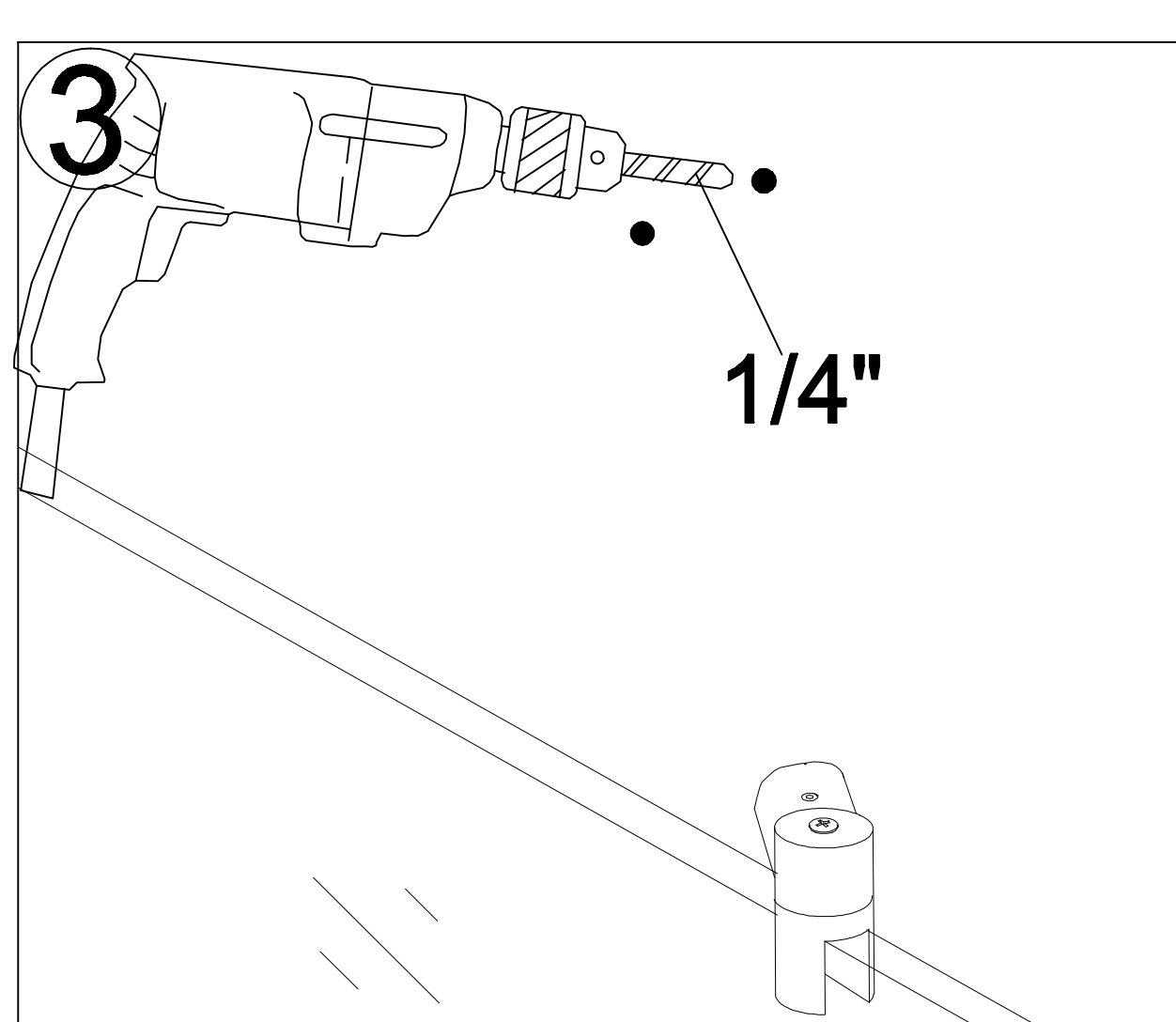
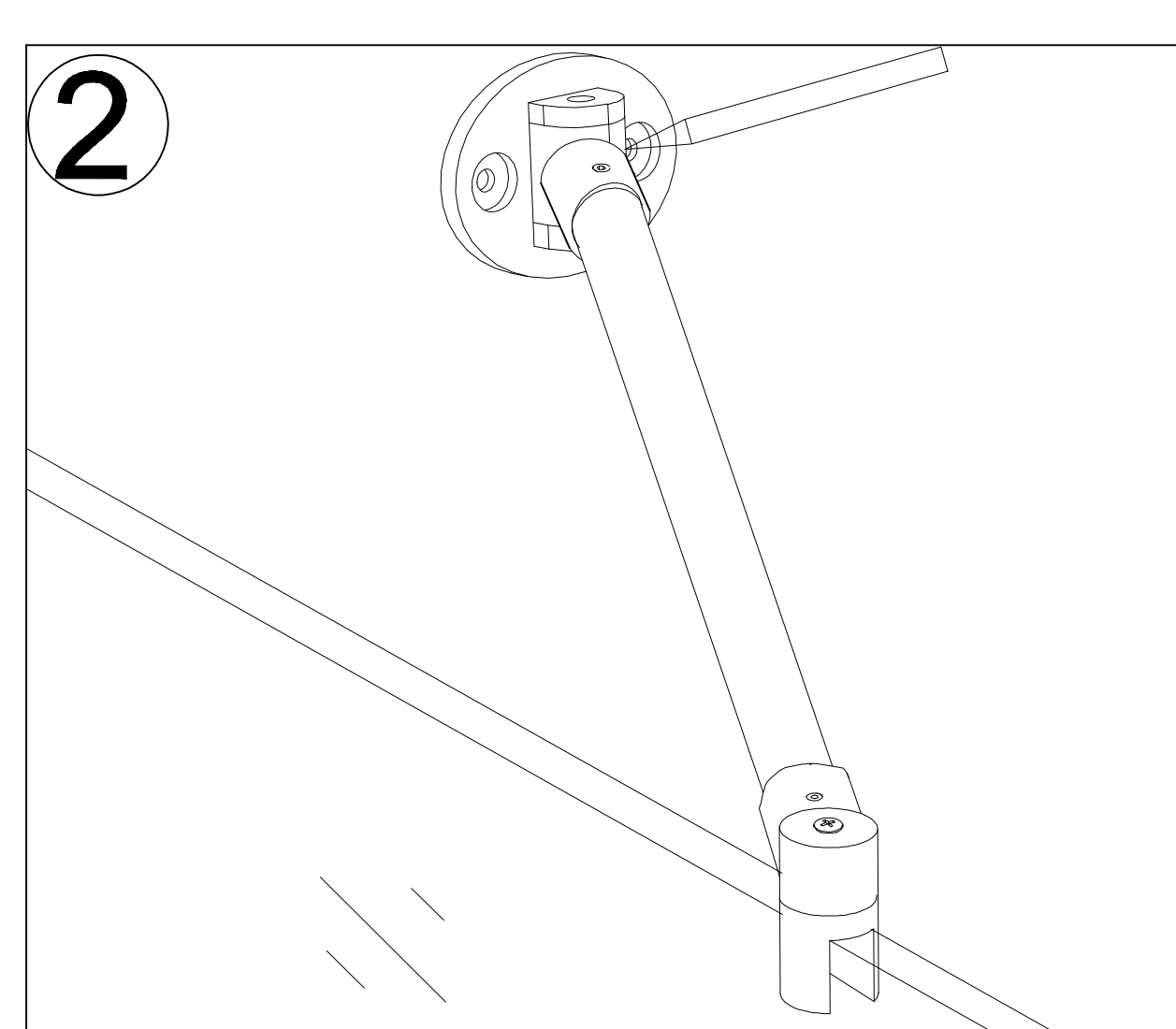
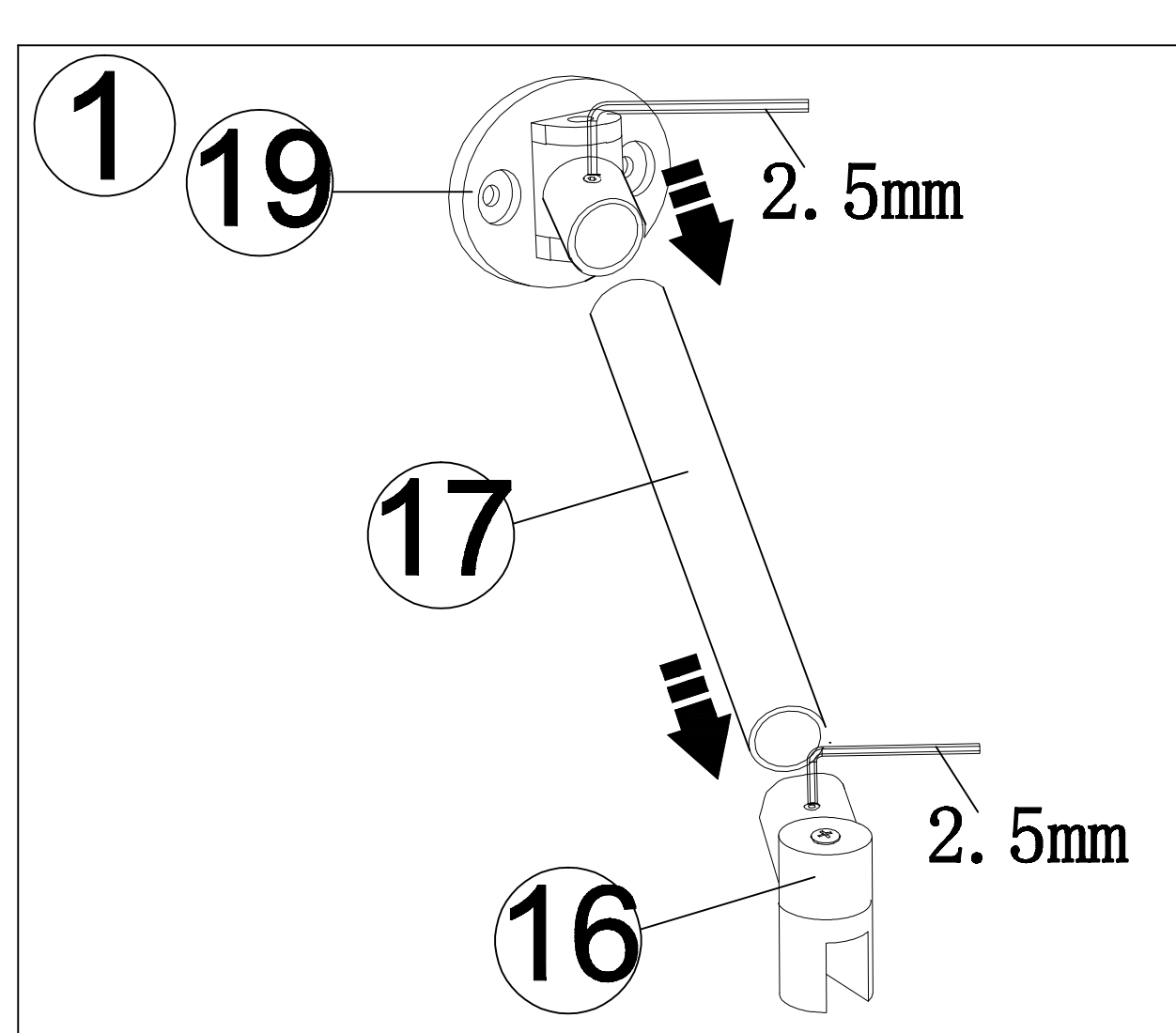
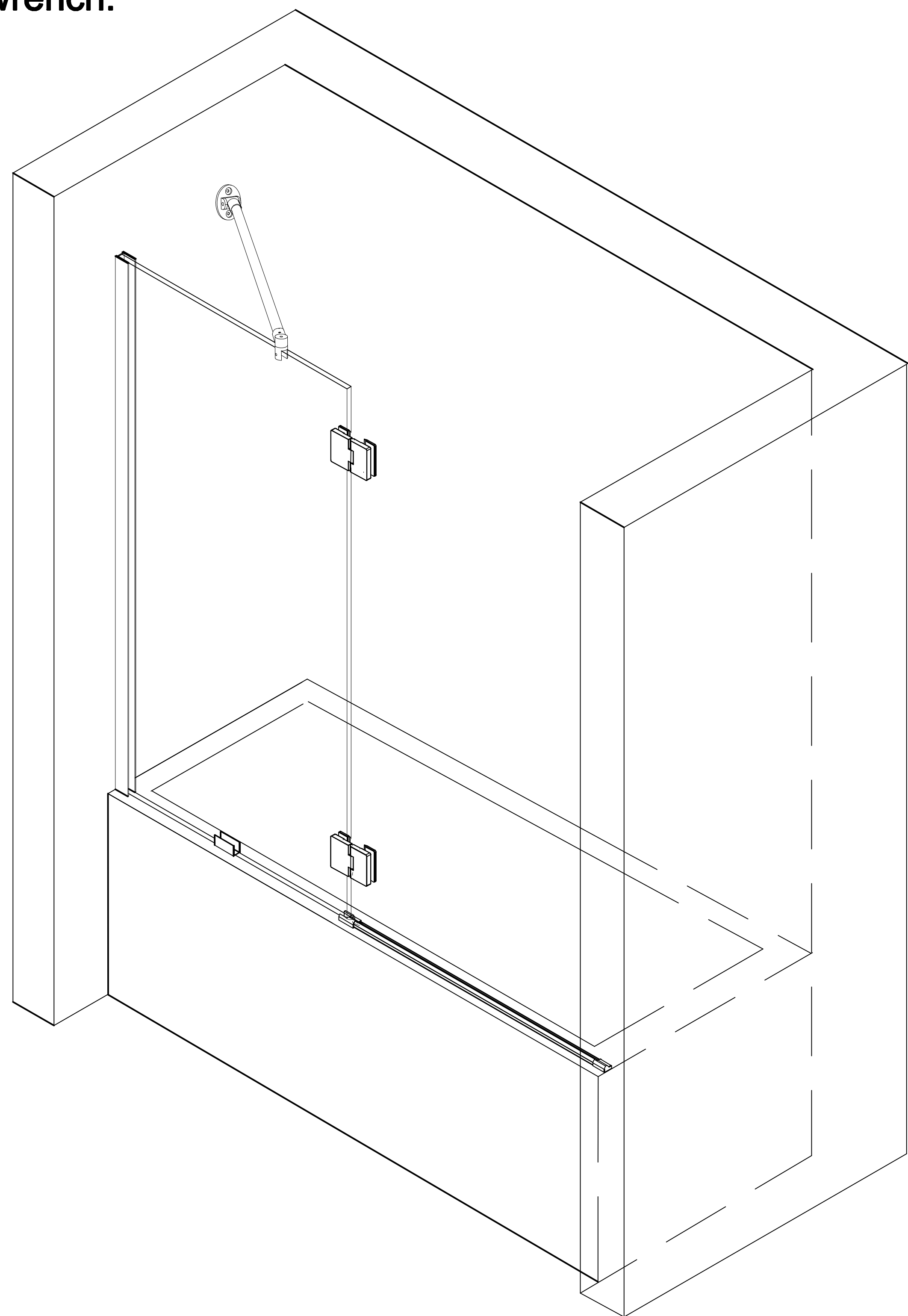
1. Assemble shower door hinges(6) on the movable shower door(13).



Left Hand Assembly

STEP 5

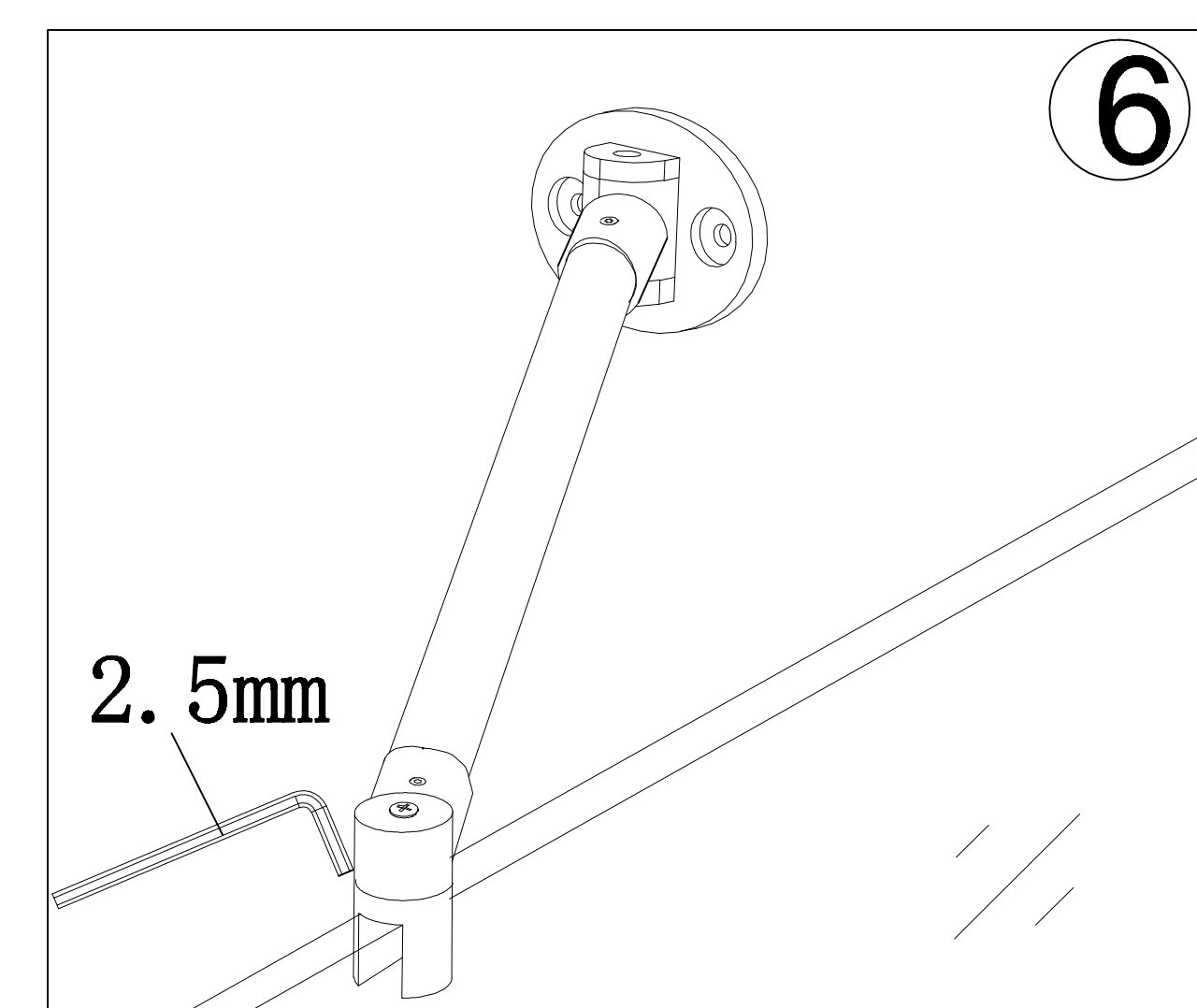
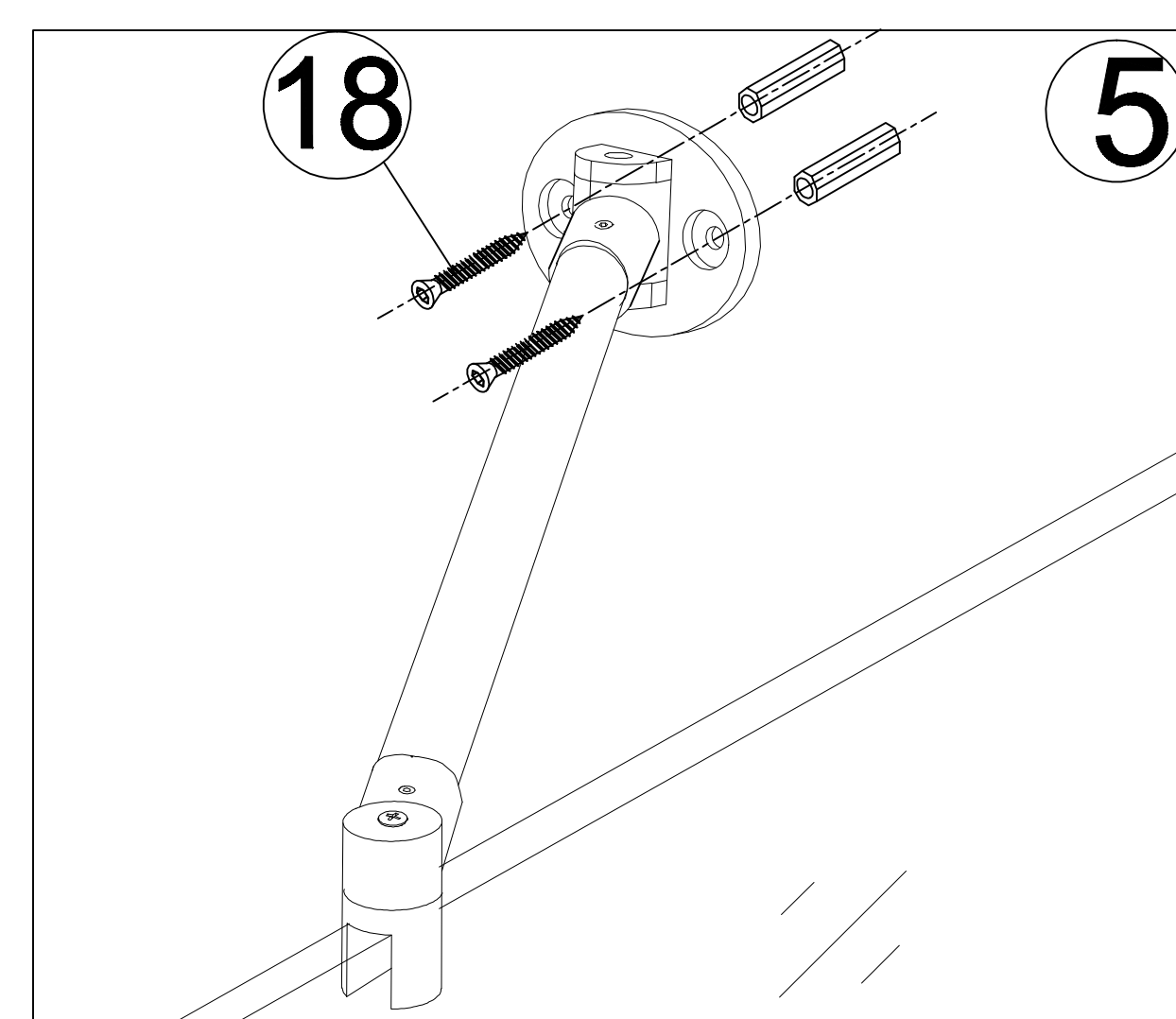
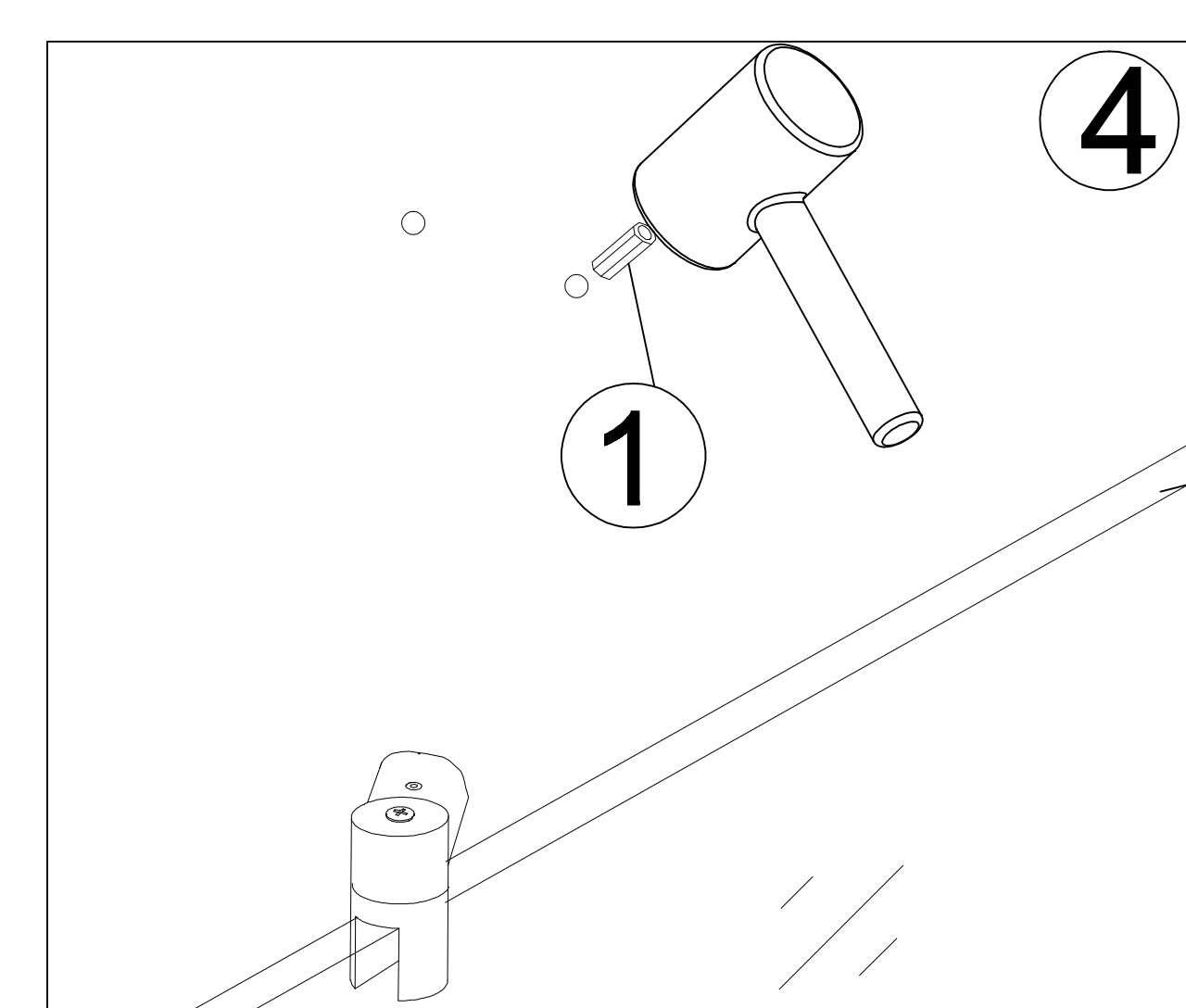
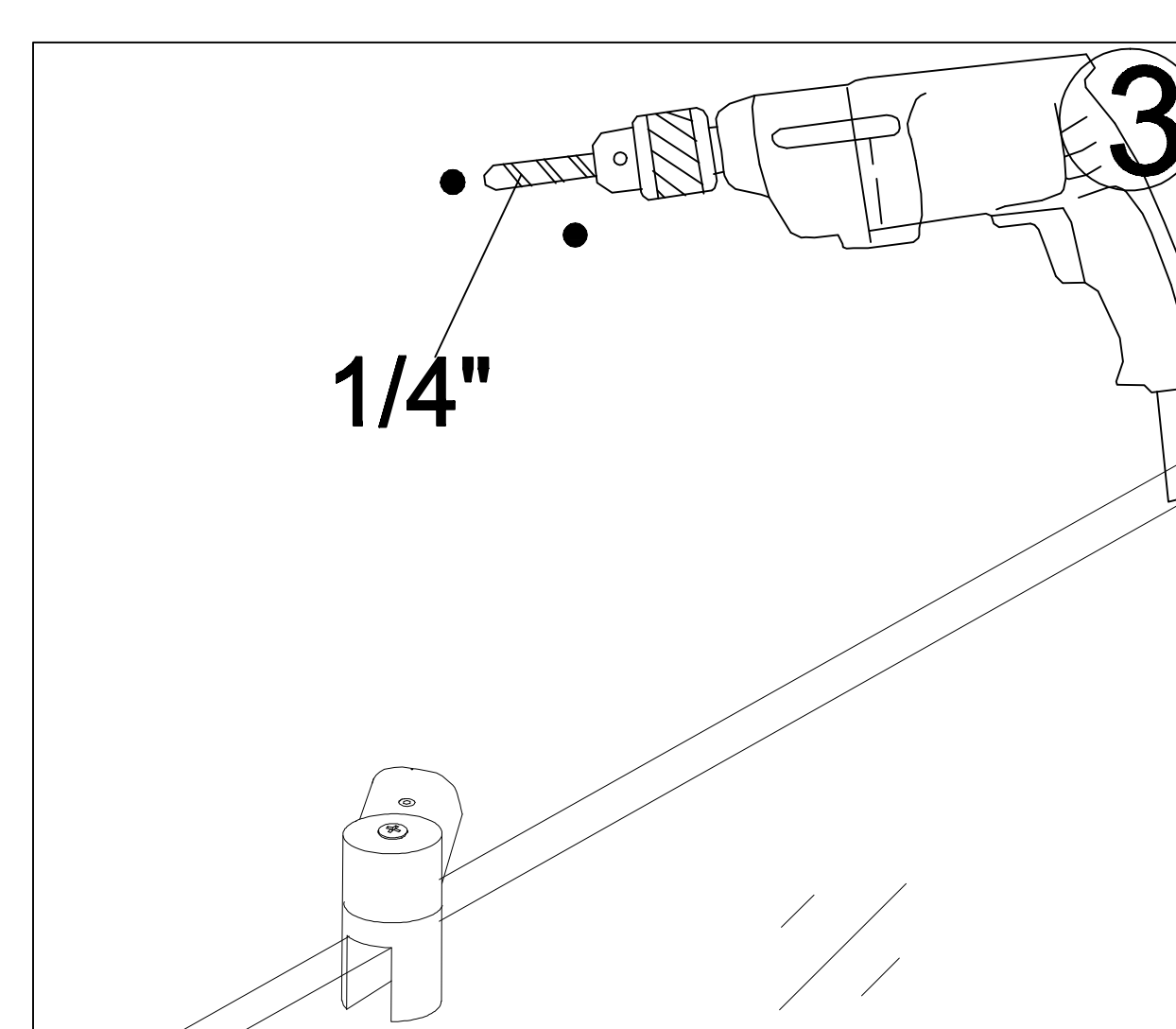
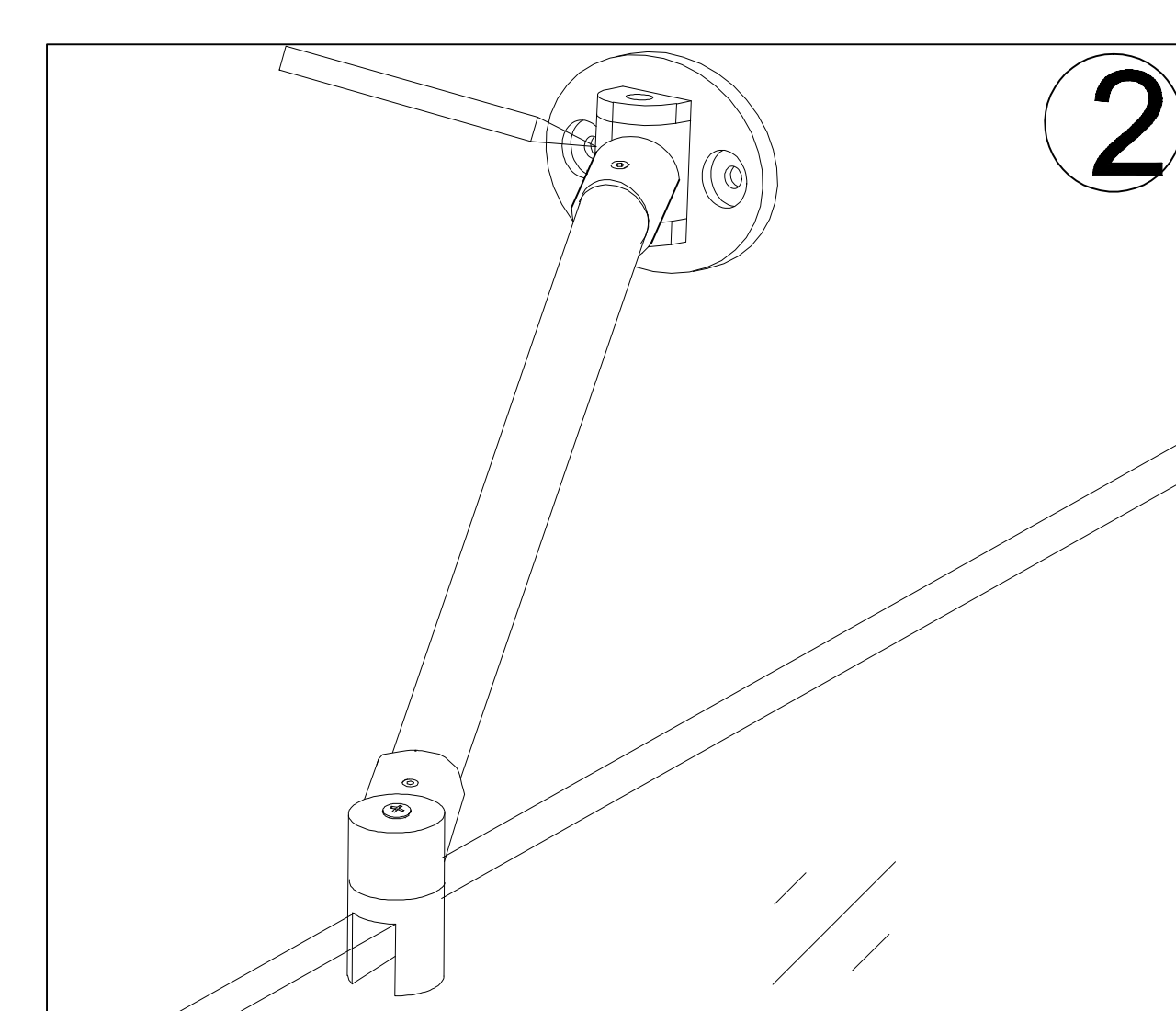
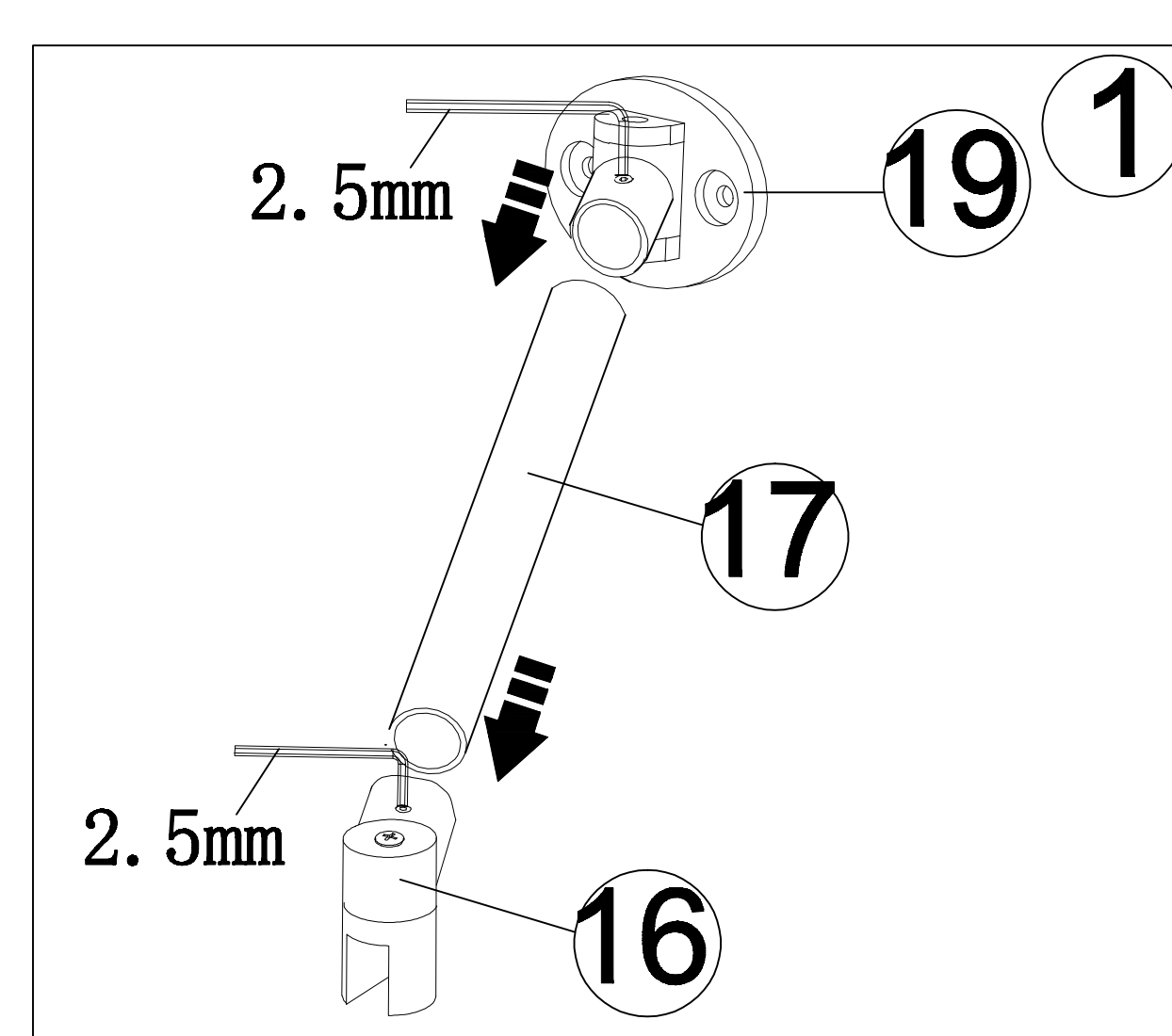
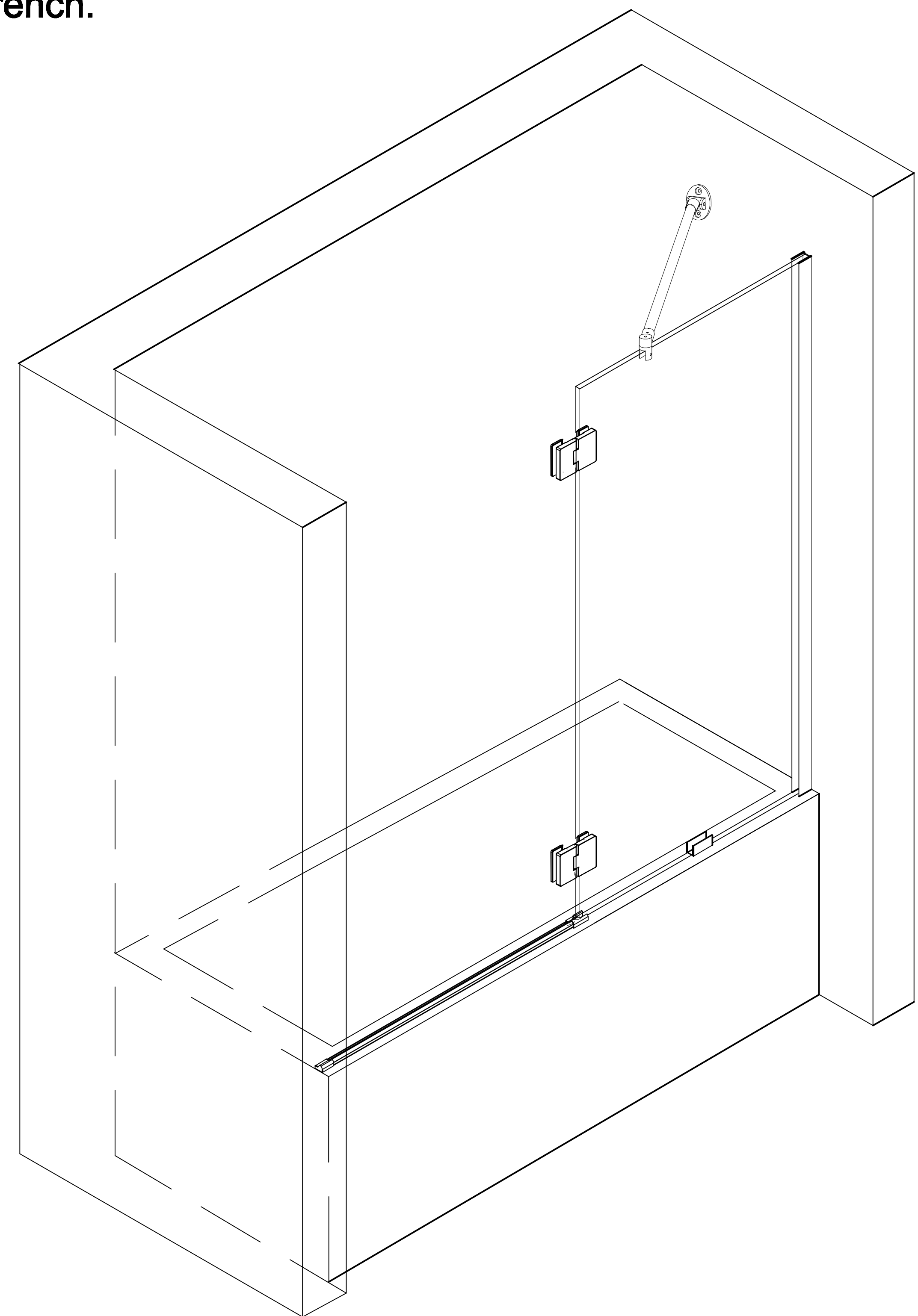
1. Loose the rail-side screw of top rail connected glass clamp(16) with Allen wrench, fit top rail(17) into clamp(16)'s hole and secure with screw, and then assemble wall-mounted top rail connector(19) to the other end of the top rail(21).
2. Loose clamp(16)'s top screw and fit its slot into fixed panel(5), adjust the position of wall-mounted top rail connector(19), then mark hole position of the connector(19).
3. Take off wall-mounted top rail connector(19) and drill holes on the markings.
4. Hammer the plug 6*28(1) into the hole.
5. Hold wall-mounted top rail connector(19) against the wall and secure it with screw 4*30(18).
6. Secure the top screw of top rail connected glass clamp(16) with Allen wrench.



Right Hand Assembly

STEP 5

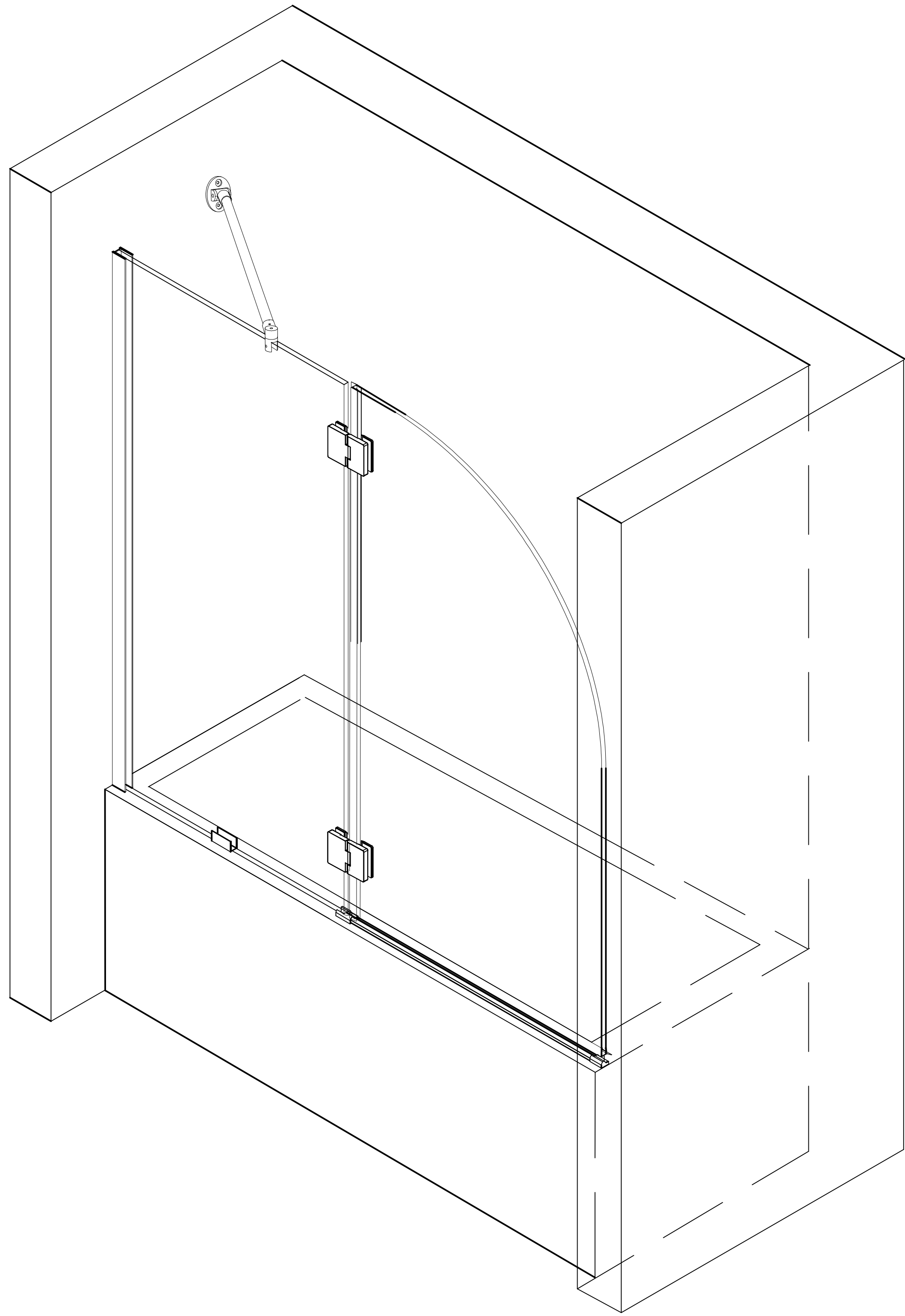
1. Loose the rail-side screw of top rail connected glass clamp(16) with Allen wrench, fit top rail(17) into clamp(16)'s hole and secure with screw, and then assemble wall-mounted top rail connector(19) to the other end of the top rail(21).
2. Loose clamp(16)'s top screw and fit its slot into fixed panel(5), adjust the position of wall-mounted top rail connector(19), then mark hole position of the connector(19).
3. Take off wall-mounted top rail connector(19) and drill holes on the markings.
4. Hammer the plug 6*28(1) into the hole.
5. Hold wall-mounted top rail connector(19) against the wall and secure it with screw 4*30(18).
6. Secure the top screw of top rail connected glass clamp(16) with Allen wrench.



Left Hand Assembly

STEP 6

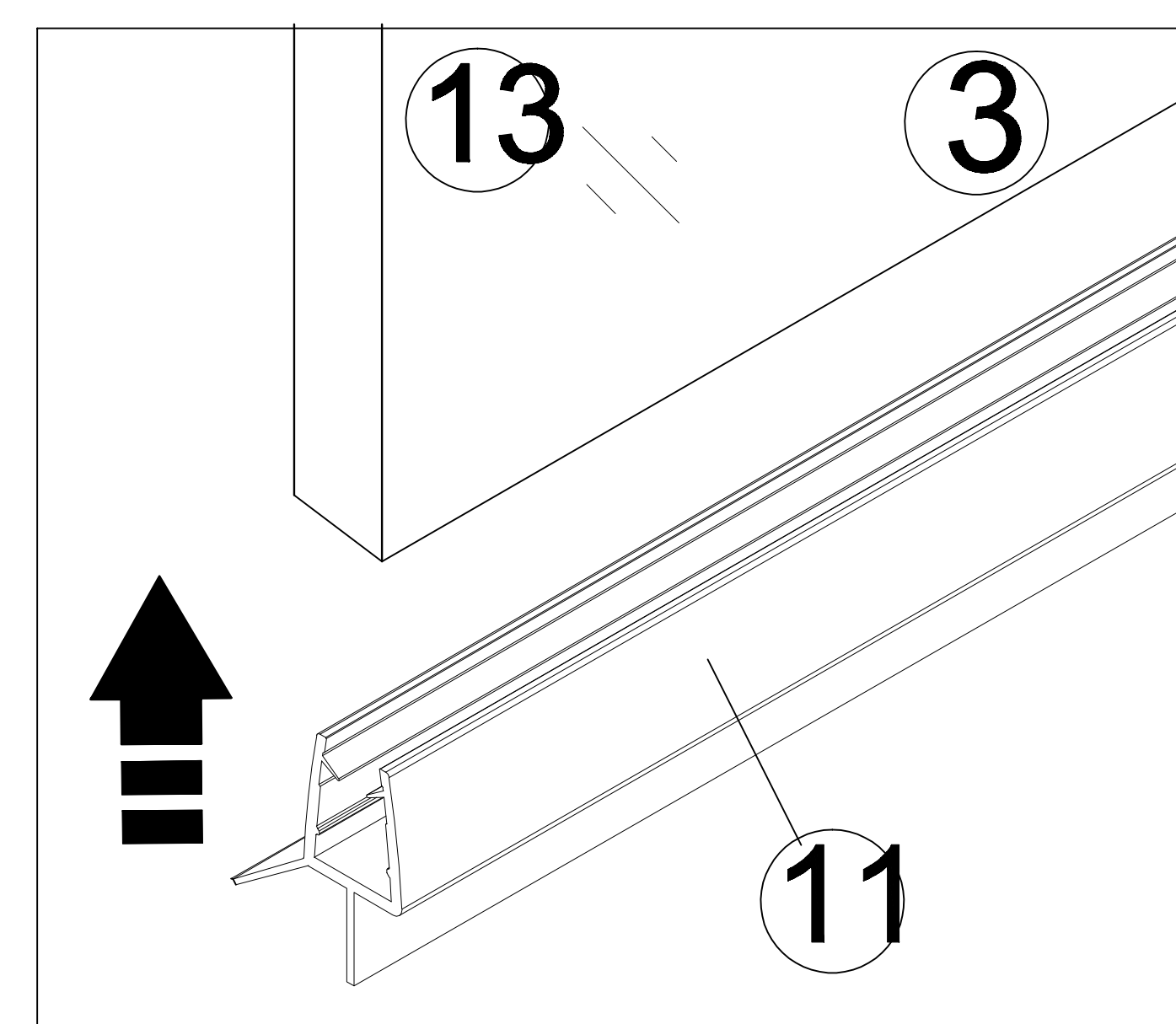
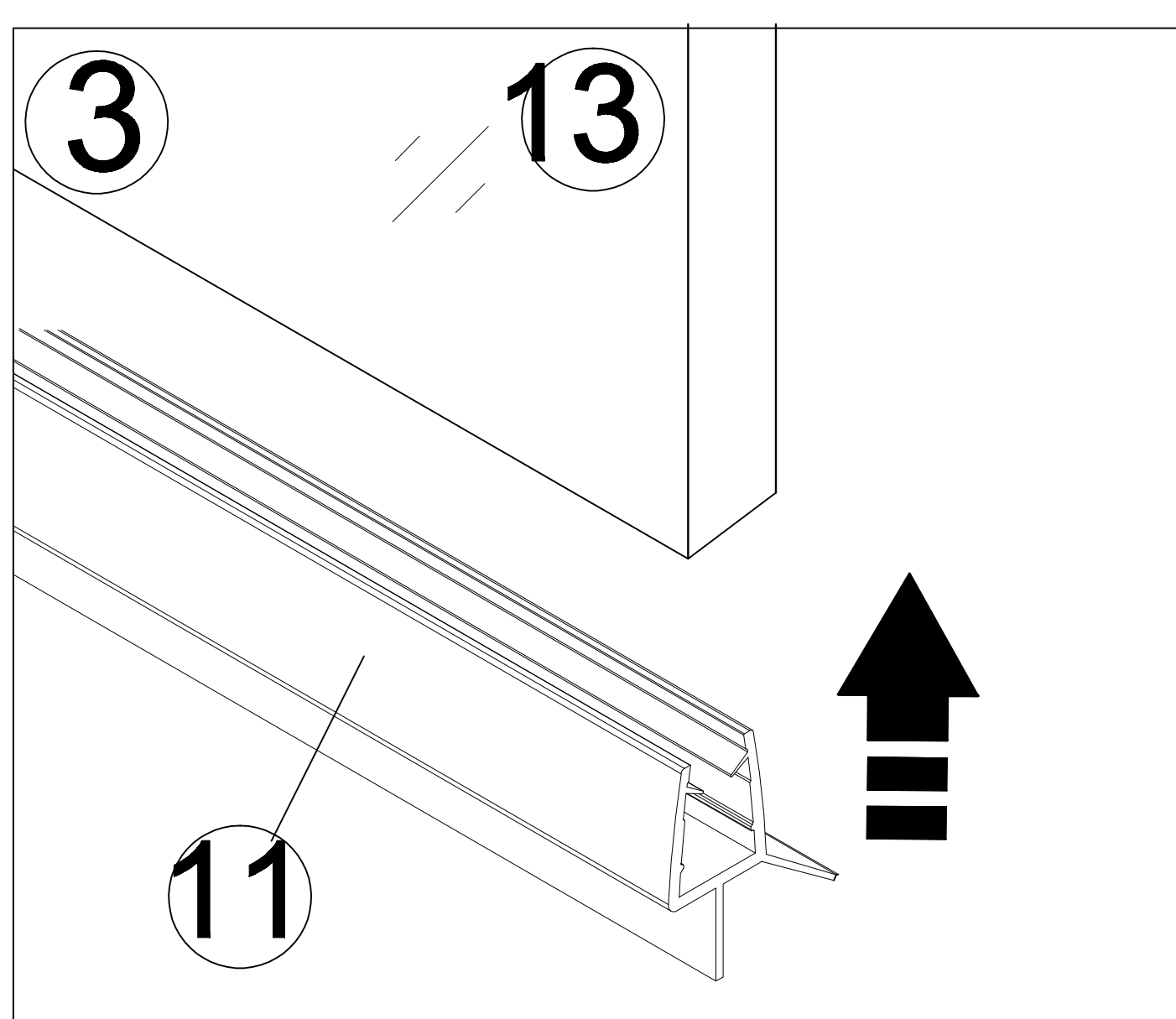
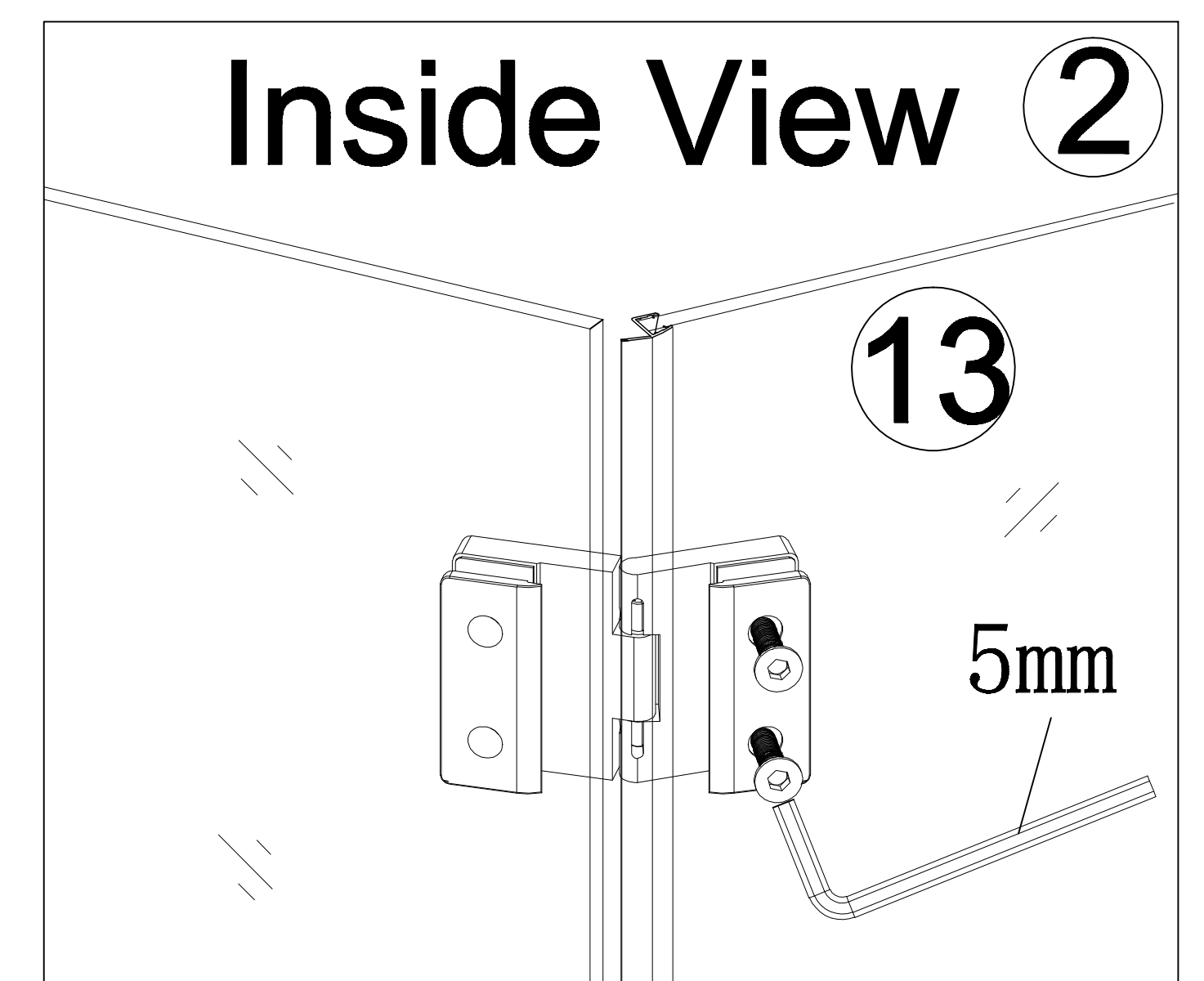
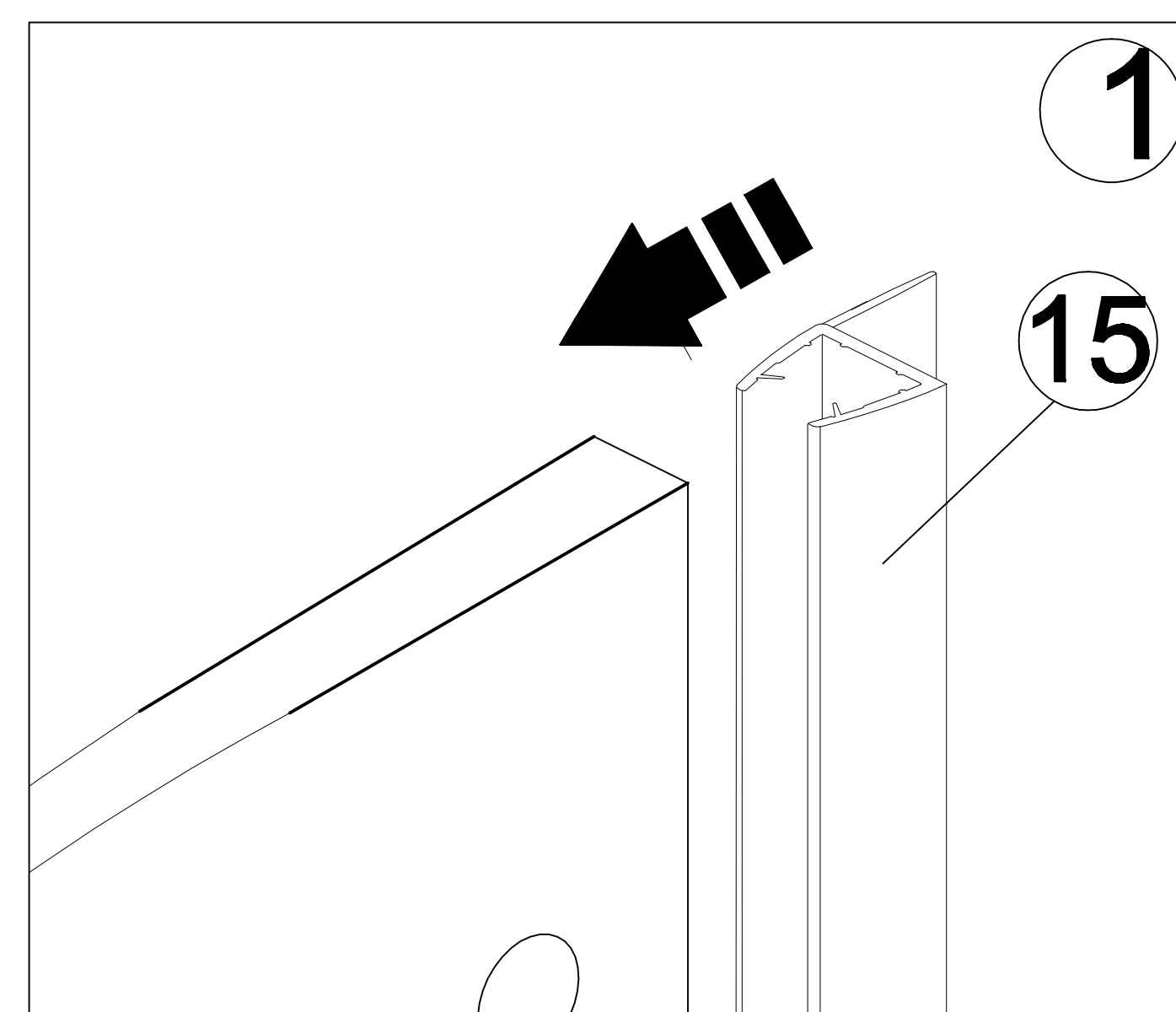
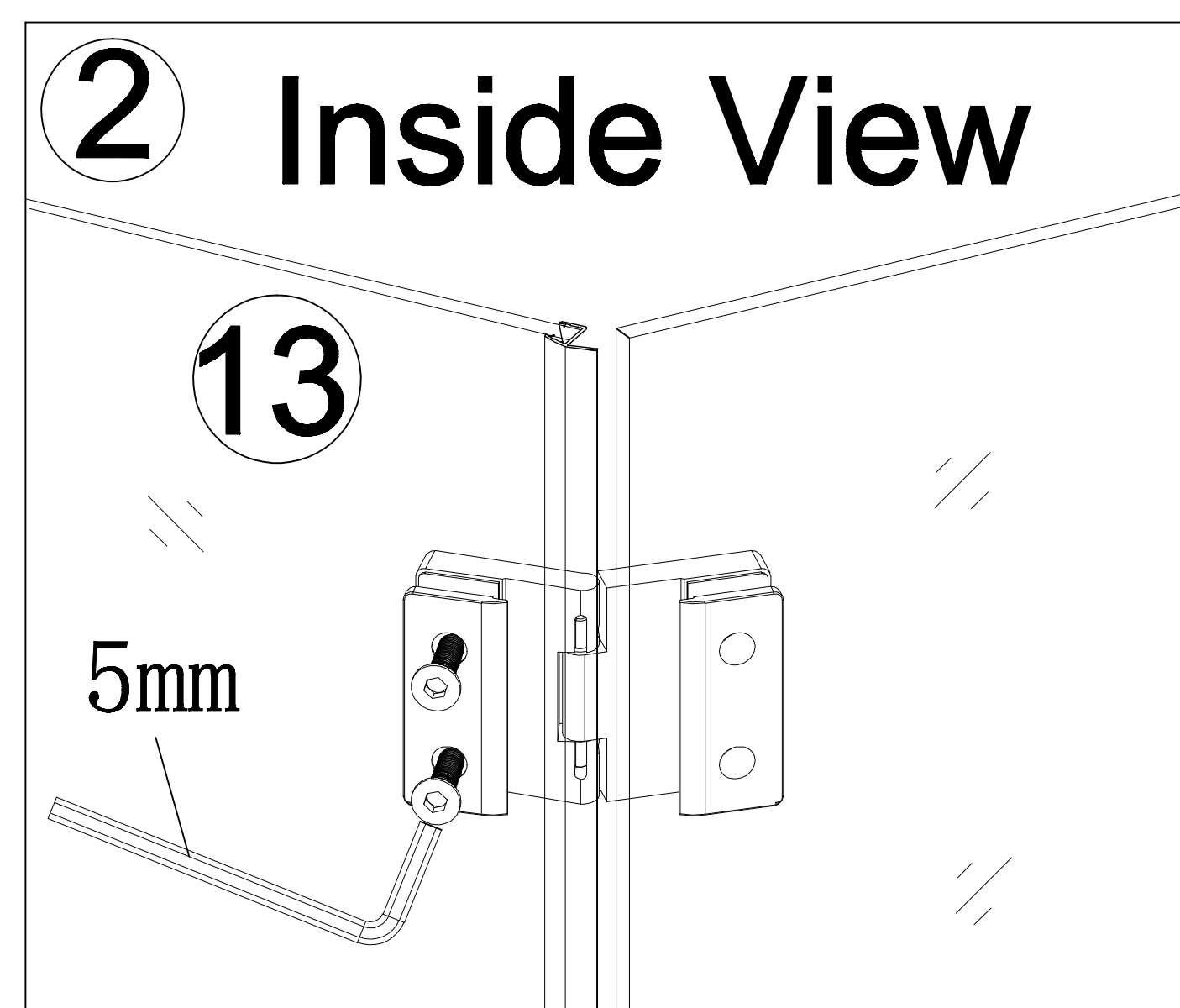
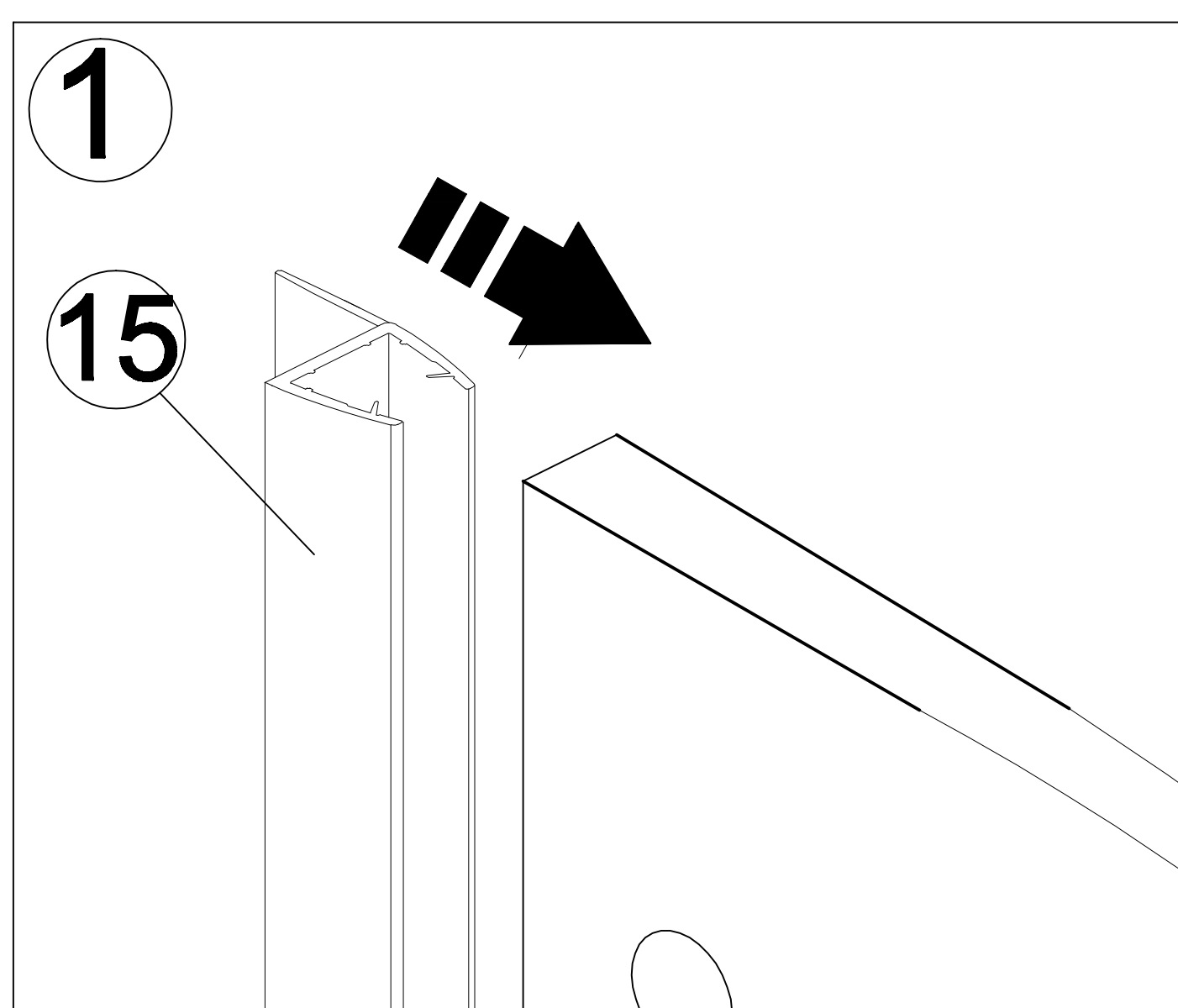
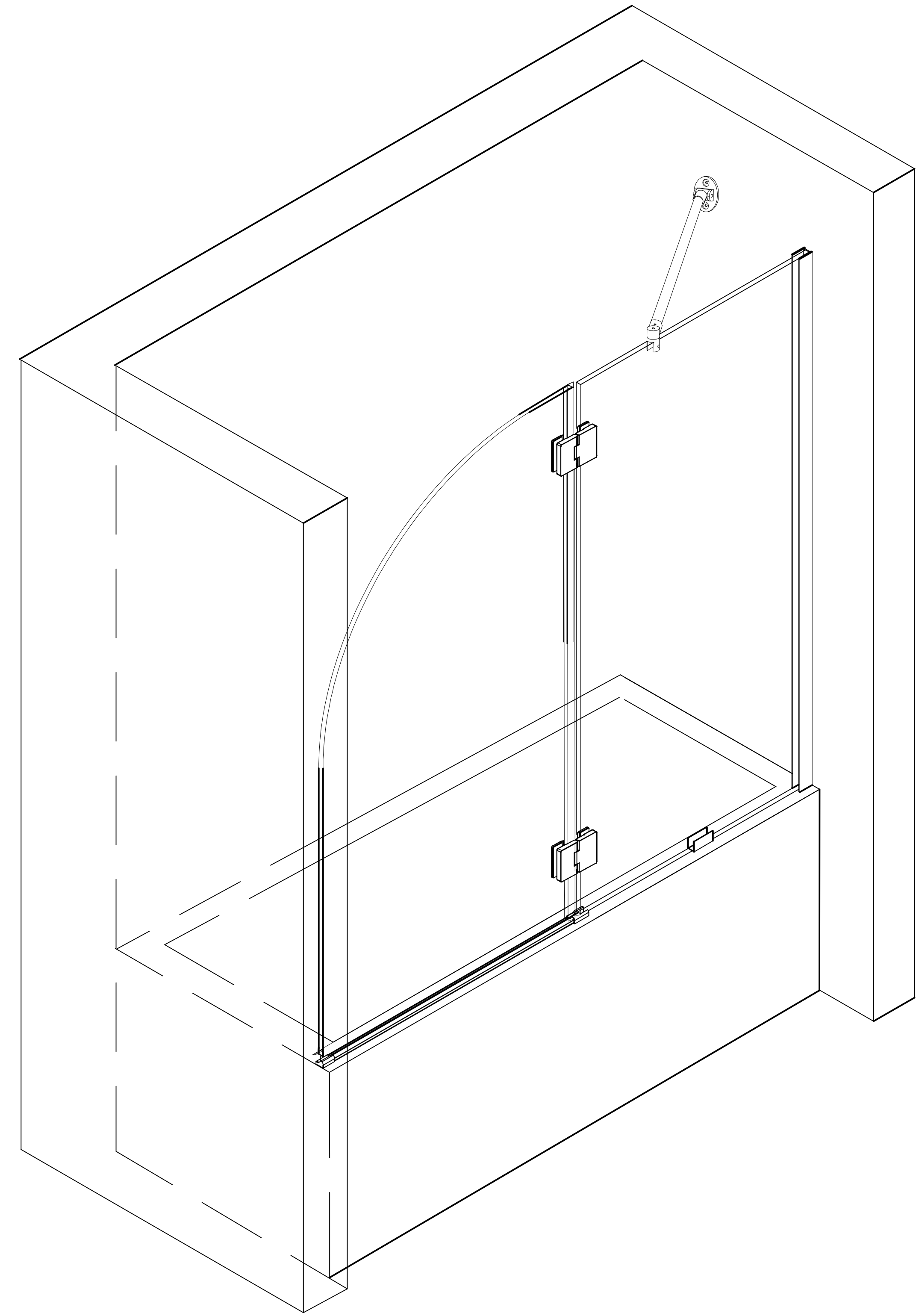
1. Assemble side seal strip(15) to removable shower door(13).
2. Install removable shower door(13) to shower door hinges(6).
3. Assemble shower door bottom seal strip(11) to removable shower door(13).



Right Hand Assembly

STEP 6

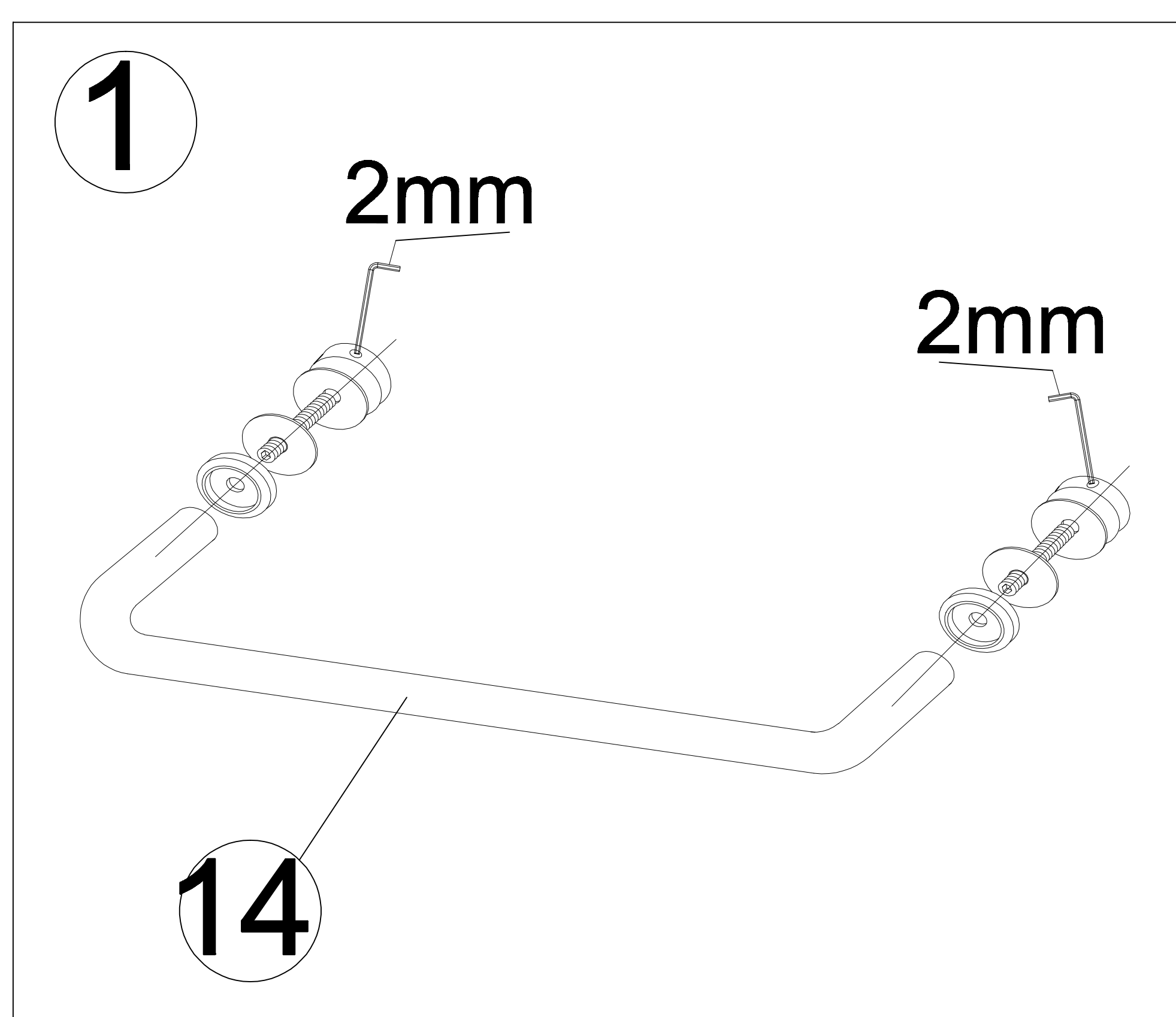
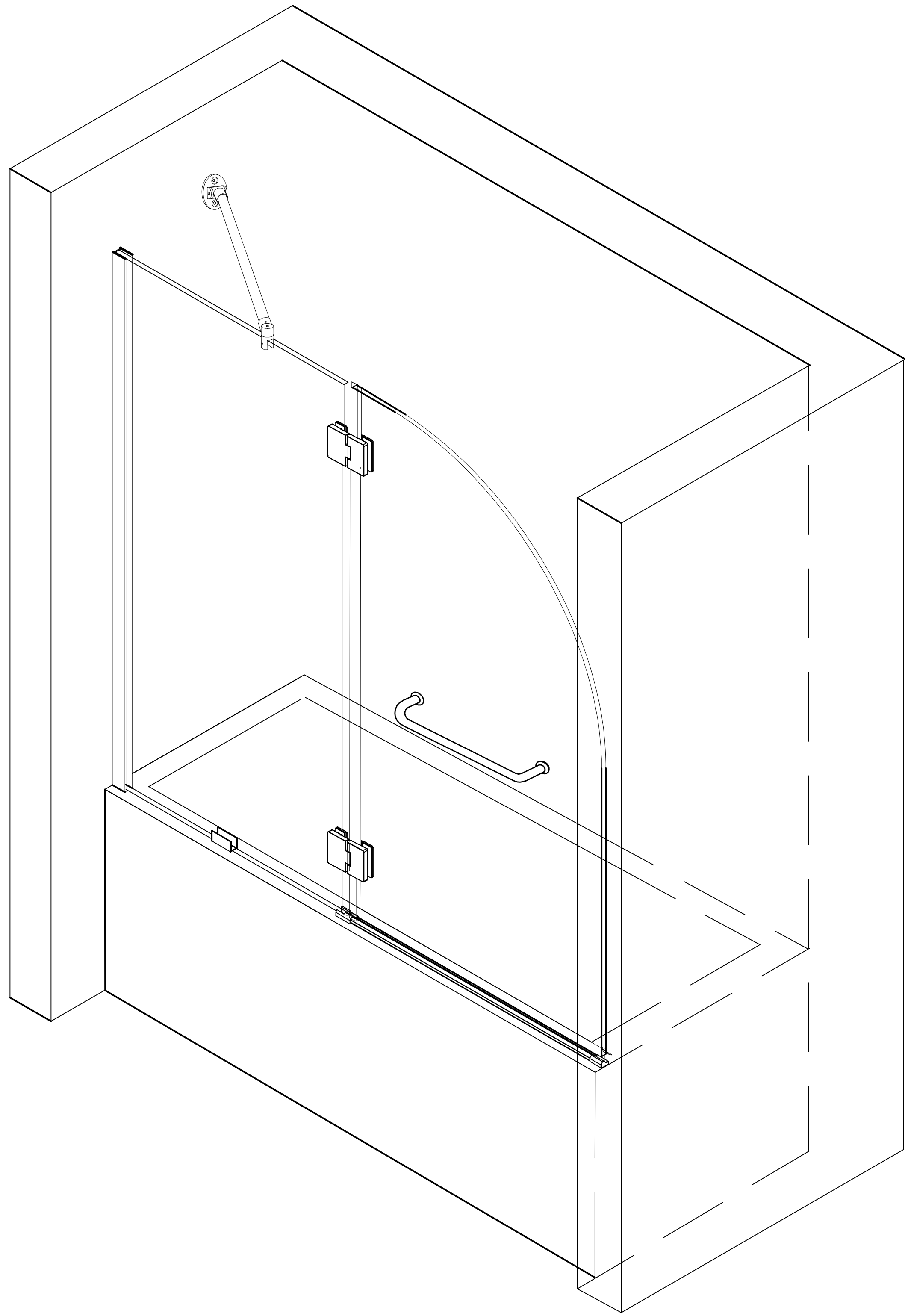
1. Assemble side seal strip(15) to removable shower door(13).
2. Install removable shower door(13) to shower door hinges(6).
3. Assemble shower door bottom seal strip(11) to removable shower door(13).



Left Hand Assembly

STEP 7

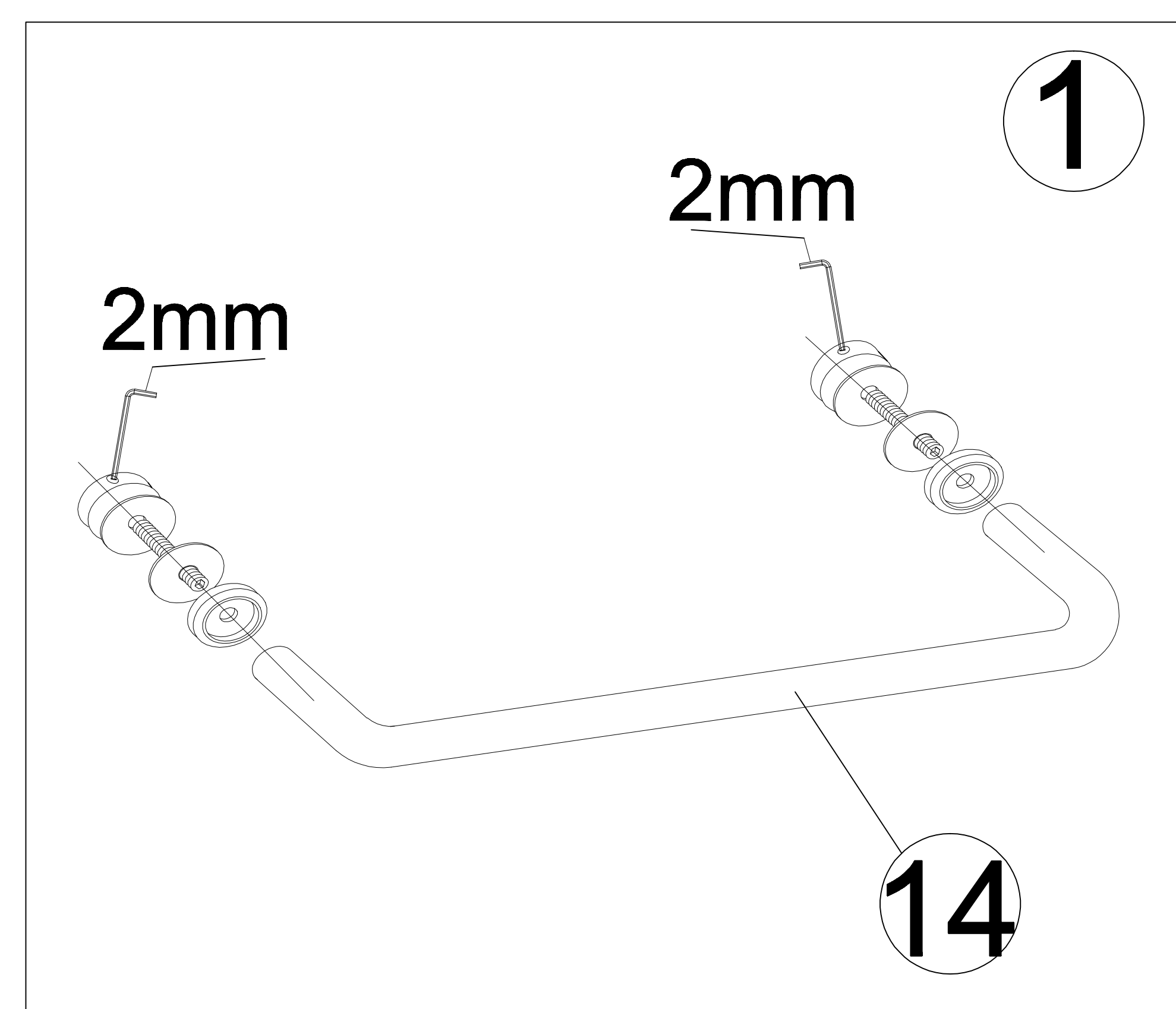
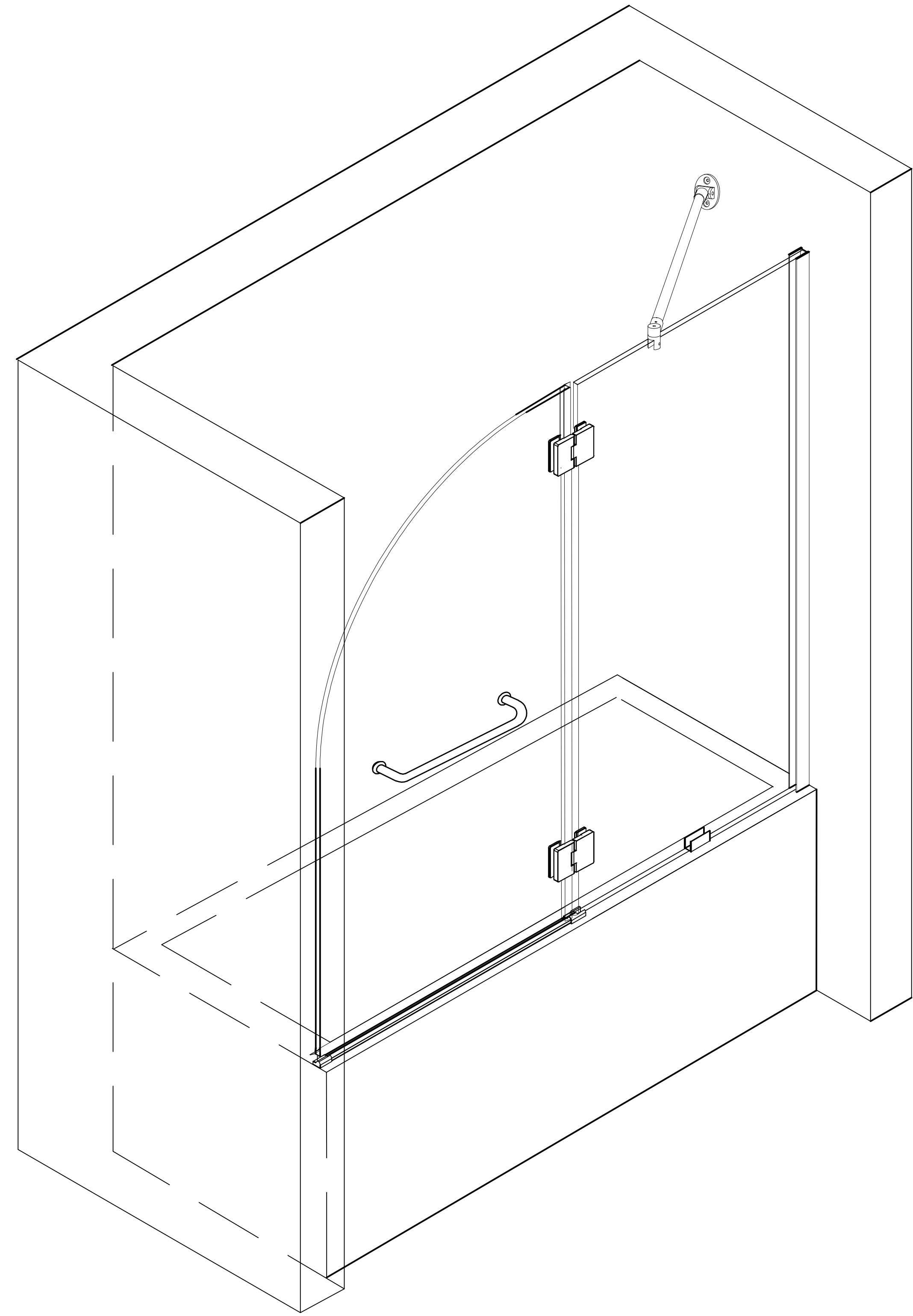
1. Assemble tubular single-sided towel bar(14) onto movable shower door(13).



Right Hand Assembly

STEP 7

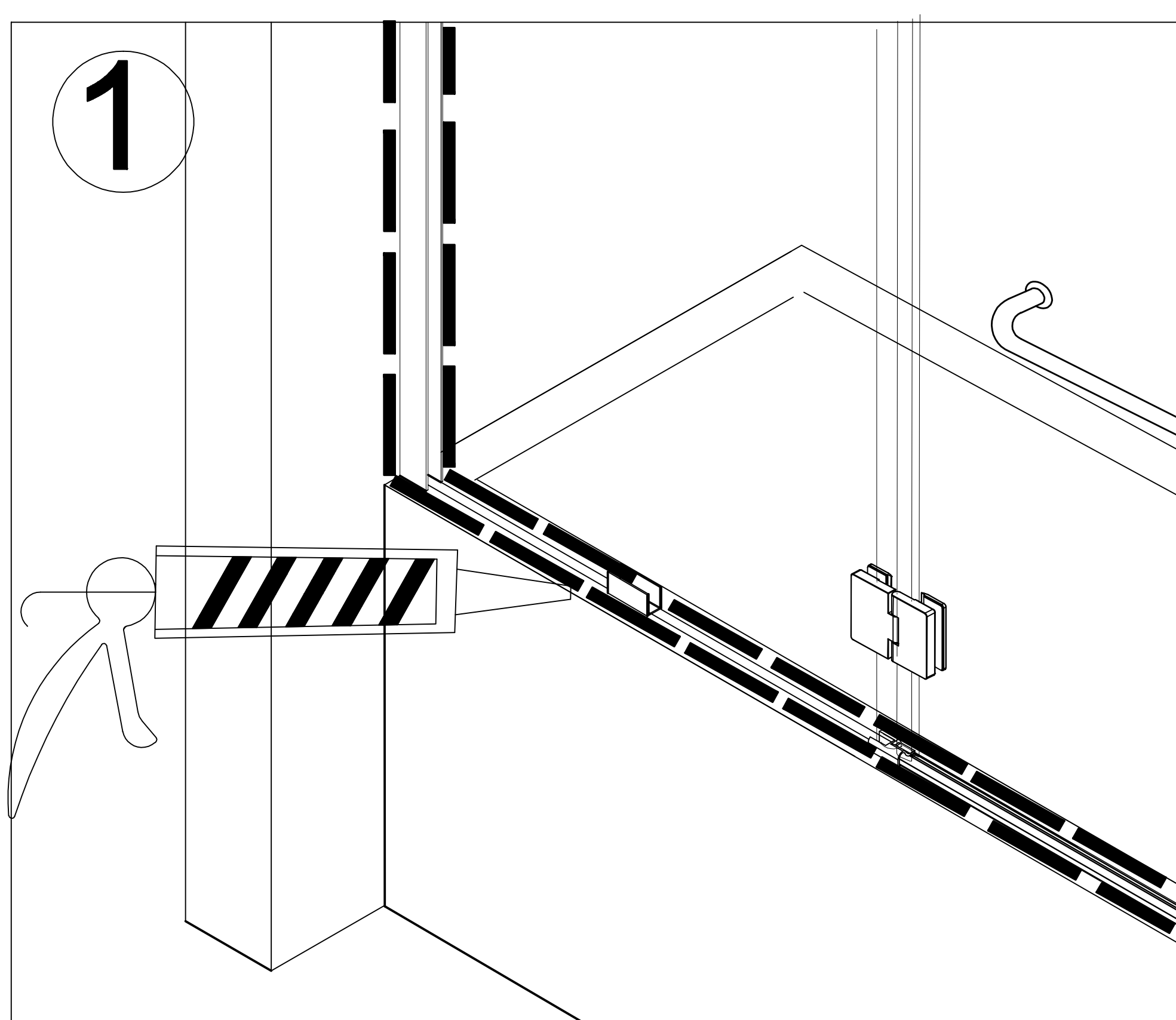
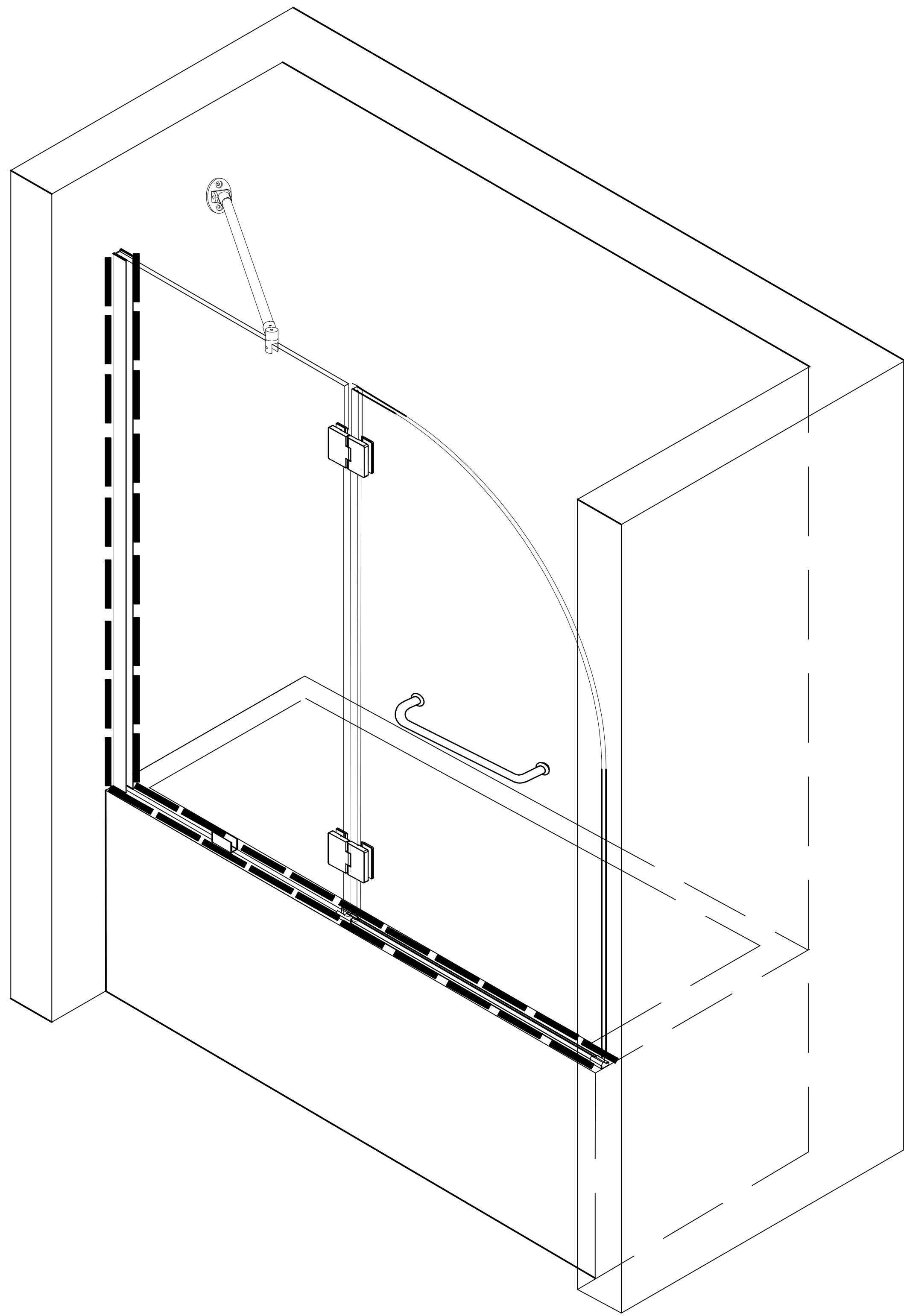
1. Assemble tubular single-sided towel bar(14) onto movable shower door(13).



Left Hand Assembly

STEP 8

1. Apply qualified mildew resistant silicone along the sides of wall-mounted stabilizer strip for fixed panel(3), Aluminum strip(10) and fixed panel(5) base. Allow the silicone to dry for 24 hours before using the shower.



Right Hand Assembly

STEP 8

1. Apply qualified mildew resistant silicone along the sides of wall-mounted stabilizer strip for fixed panel(3), Aluminum strip(10) and fixed panel(5) base. Allow the silicone to dry for 24 hours before using the shower.

