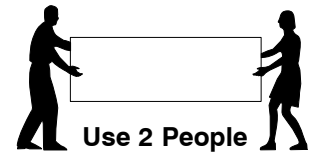
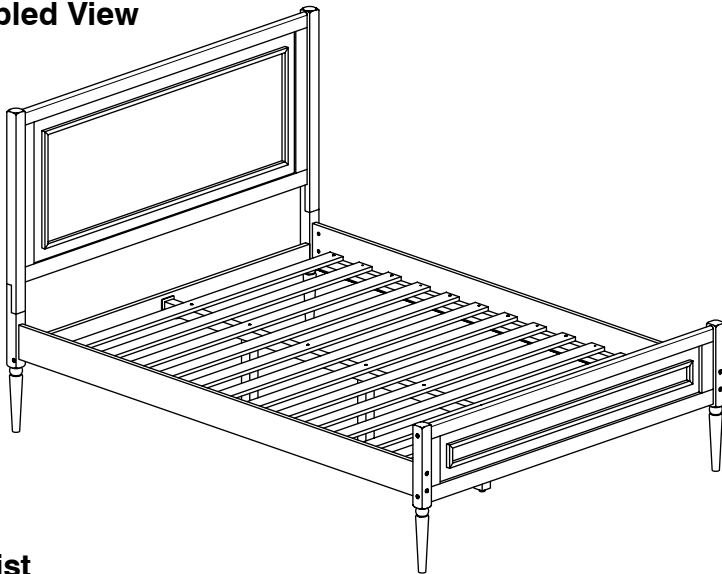


Full Bed

Assembly Instructions

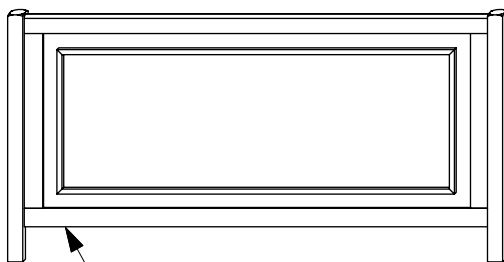
1 Assembled View



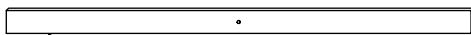
Note: Do not assemble using power tools. This can cause the bolts to be overtightened

2 Parts List

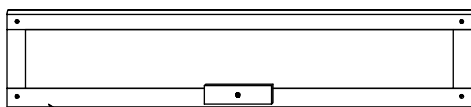
Parts in Box A:



A Headboard Panel **x 1**



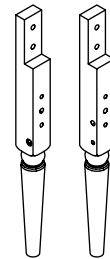
B Headboard Support **x 1**



C Footboard Panel **x 1**

F

Headboard Post (Left Hand) **x 1**

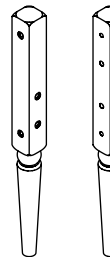


G

Headboard Post (Right Hand) **x 1**

H

Footboard Post (Left Hand) **x 1**



J

Footboard Post (Right Hand) **x 1**

Parts in Box B:



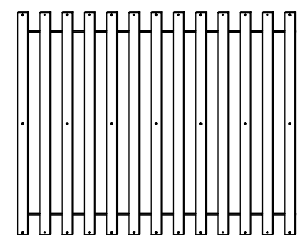
D Side Rail **x 2**



E Long Support **x 1**



K Support Leg **x 3**



L Set of Bed Slats **x 1**

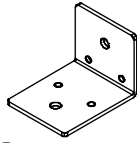
Full Bed

Assembly Instructions

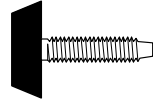
3 Hardware List



1 M4 Allen Key
x 1



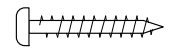
2 Center Rail
Bracket x 2



3 Adjustable
Foot x 3



4 Barrel Nut
x 17



5 Wood Screw
(M4 x 32mm)
x 12



6 Wood Dowel
(10 x 40mm)
x 10



7 Spring
Washer
x 4



8 Flat
Washer
x 4



9 M6 x
15mm JCB
x 4



10 M6 x
40mm JCB
x 22

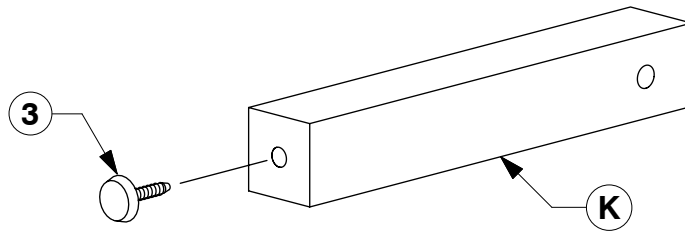


11 M6 x 90mm JCB
x 14

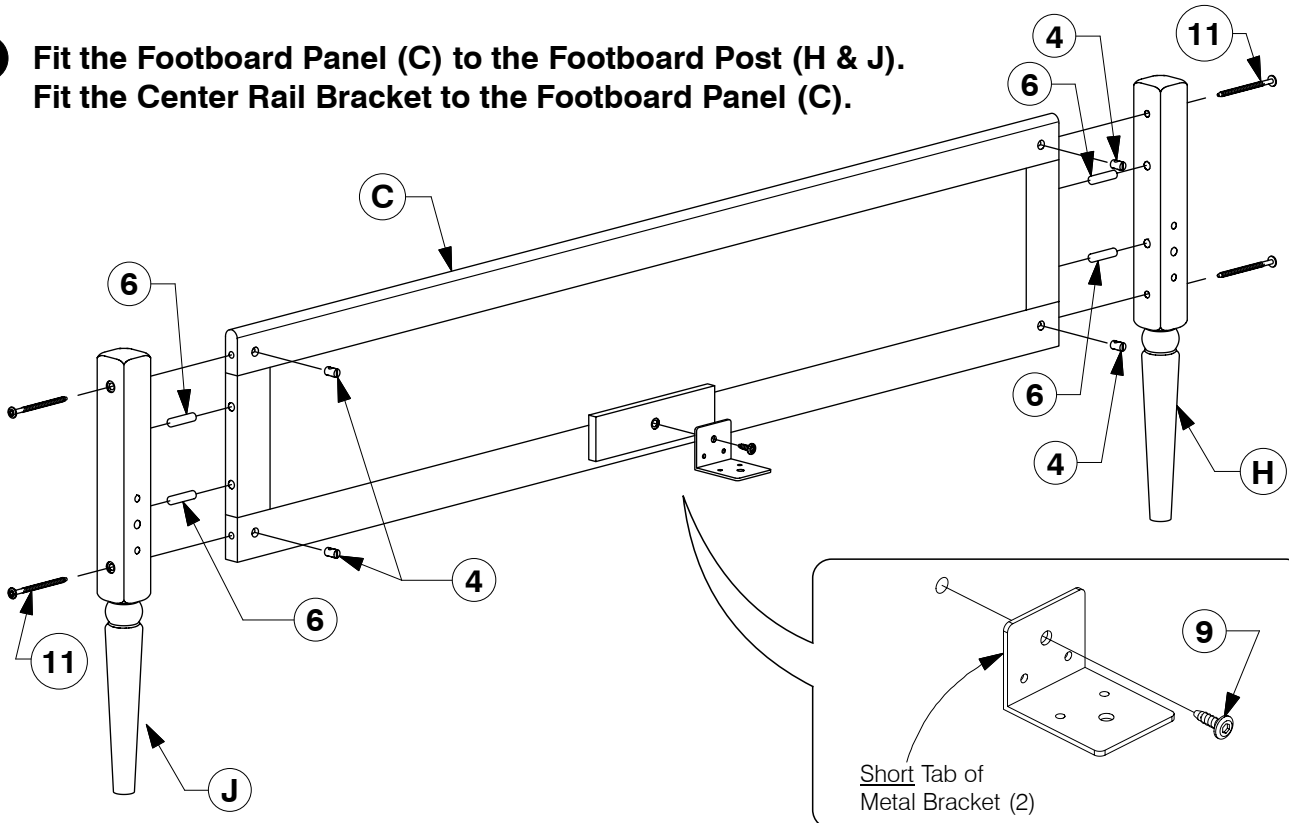


12 M6 x 100mm JCB
x 3

4 Fix the Adjustable foot to the bottom of the Support Leg (K).



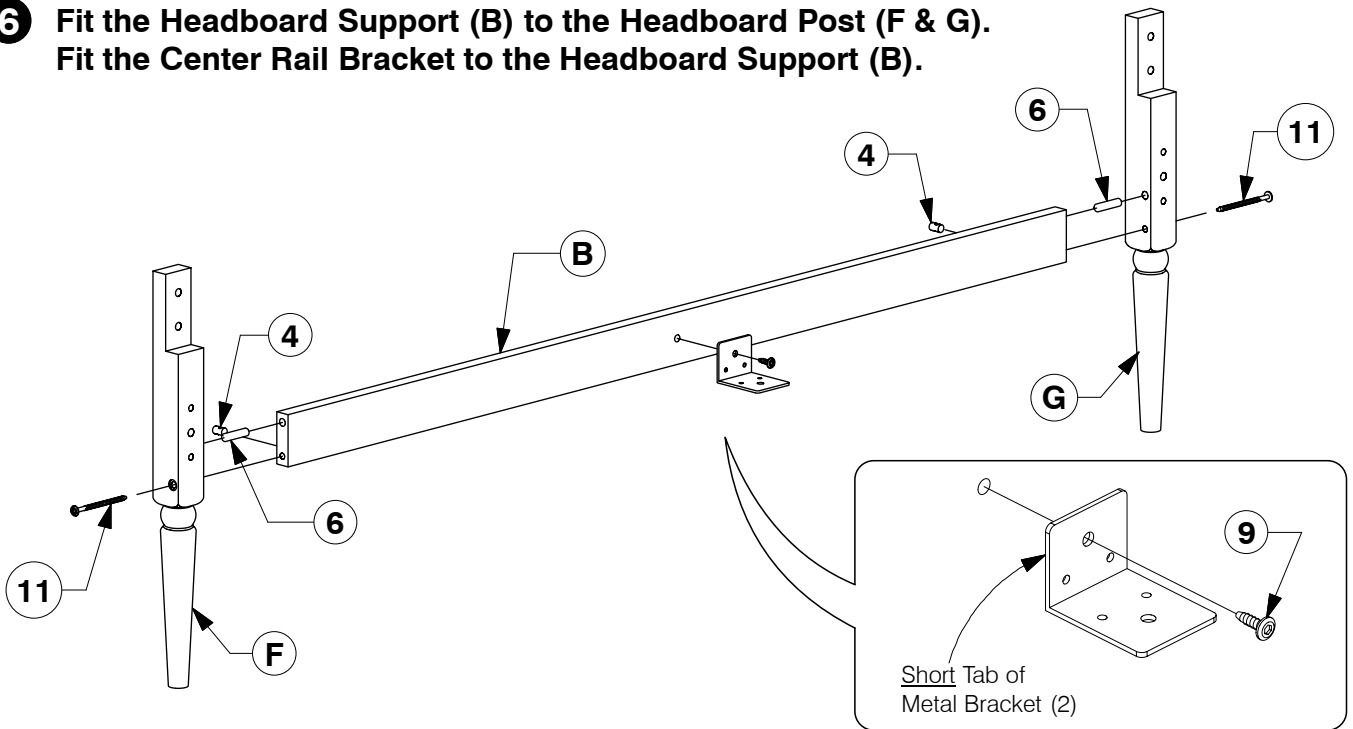
5 Fit the Footboard Panel (C) to the Footboard Post (H & J). Fit the Center Rail Bracket to the Footboard Panel (C).



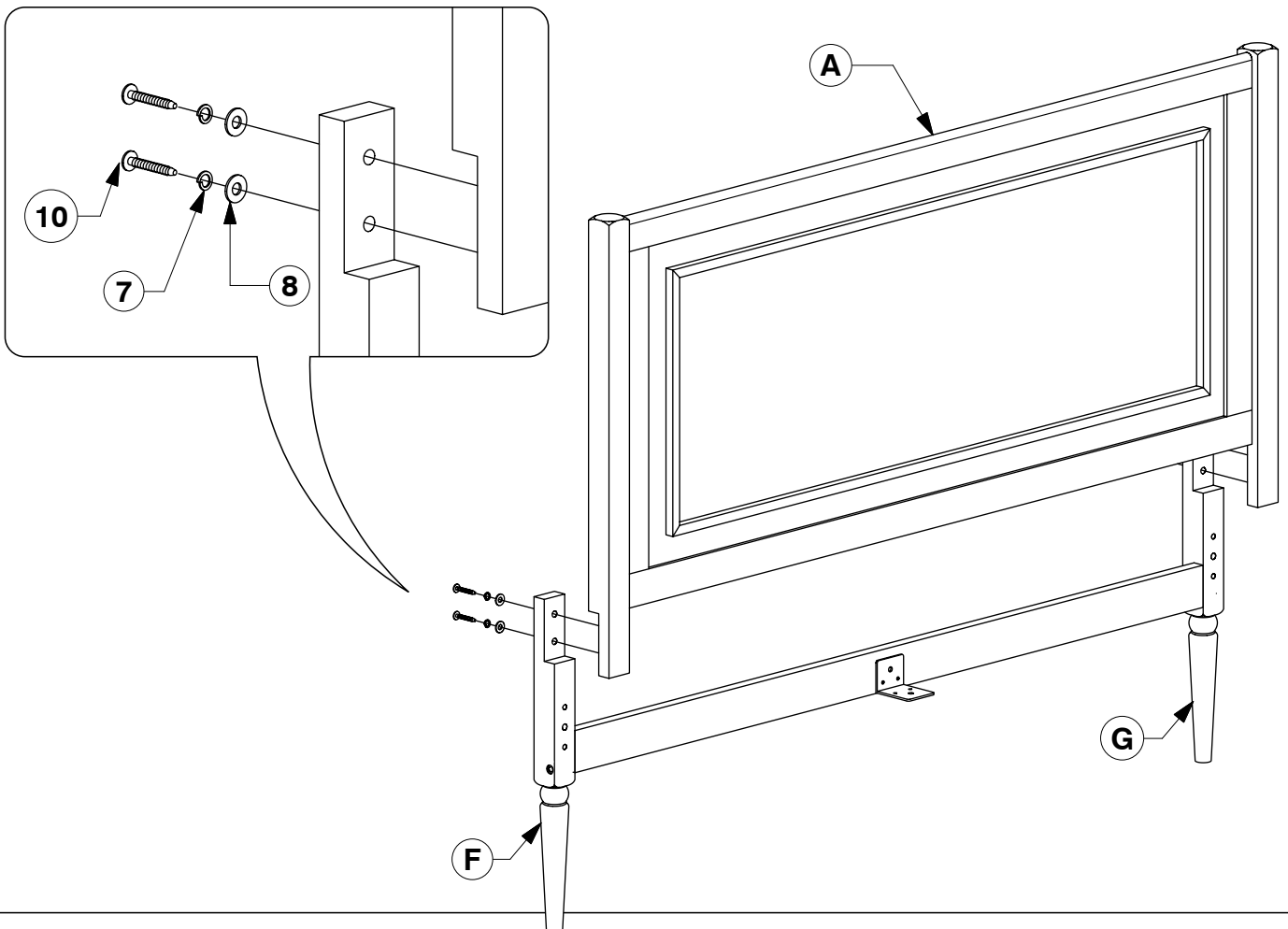
Full Bed

Assembly Instructions

- 6** Fit the Headboard Support (B) to the Headboard Post (F & G).
Fit the Center Rail Bracket to the Headboard Support (B).



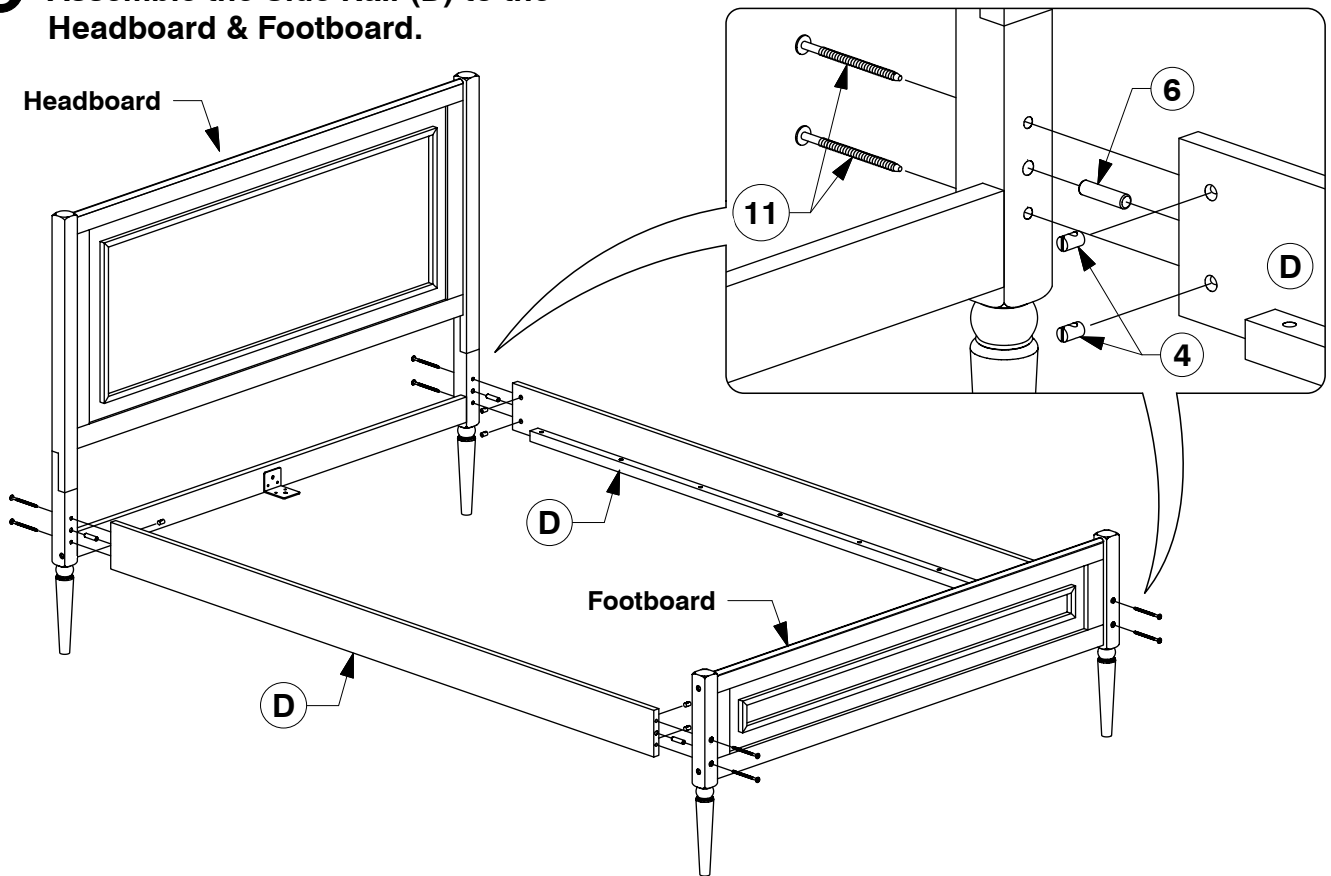
- 7** Assemble the Headboard Panel (A) to the Headboard Post (F & G).



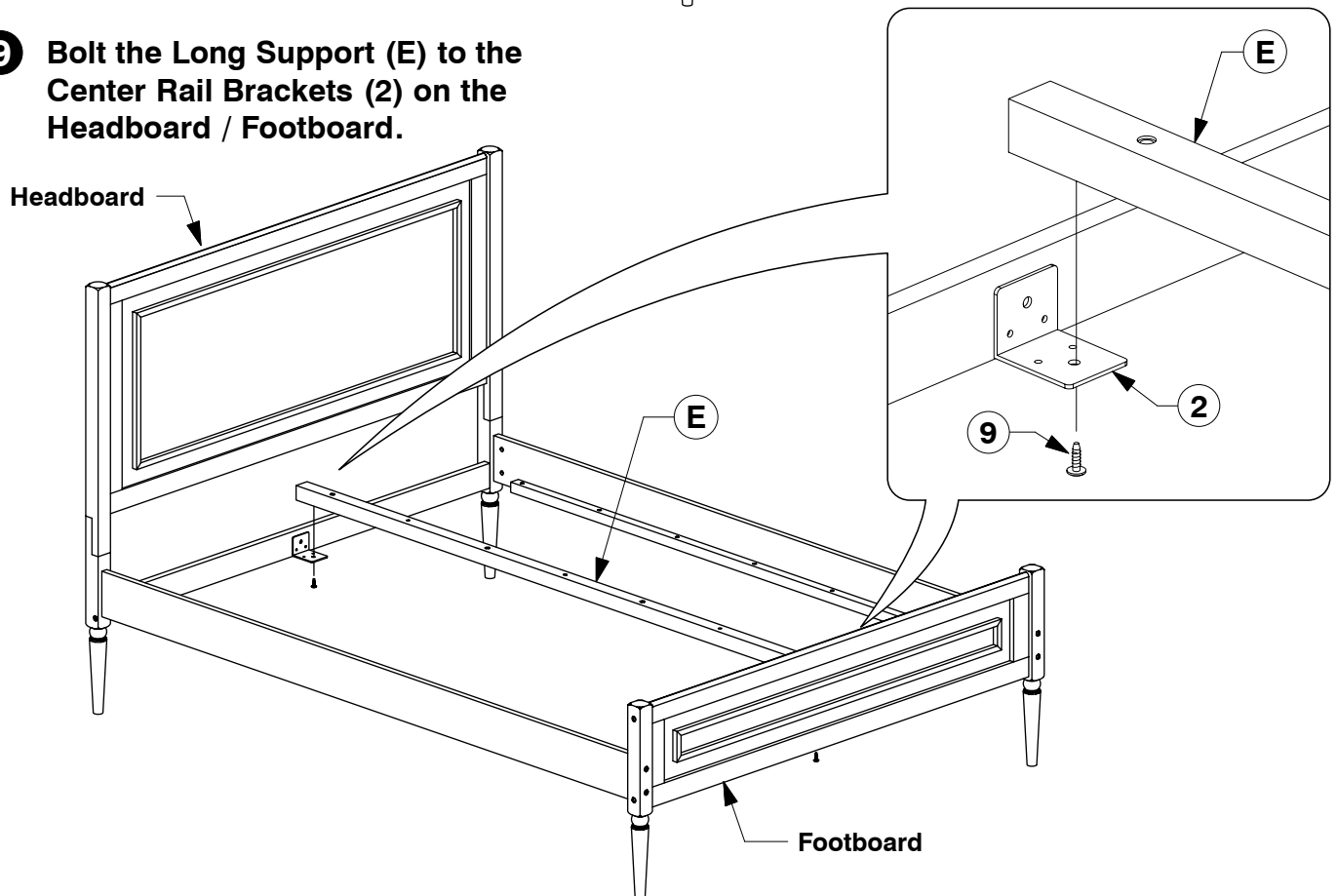
Full Bed

Assembly Instructions

8 Assemble the Side Rail (D) to the Headboard & Footboard.



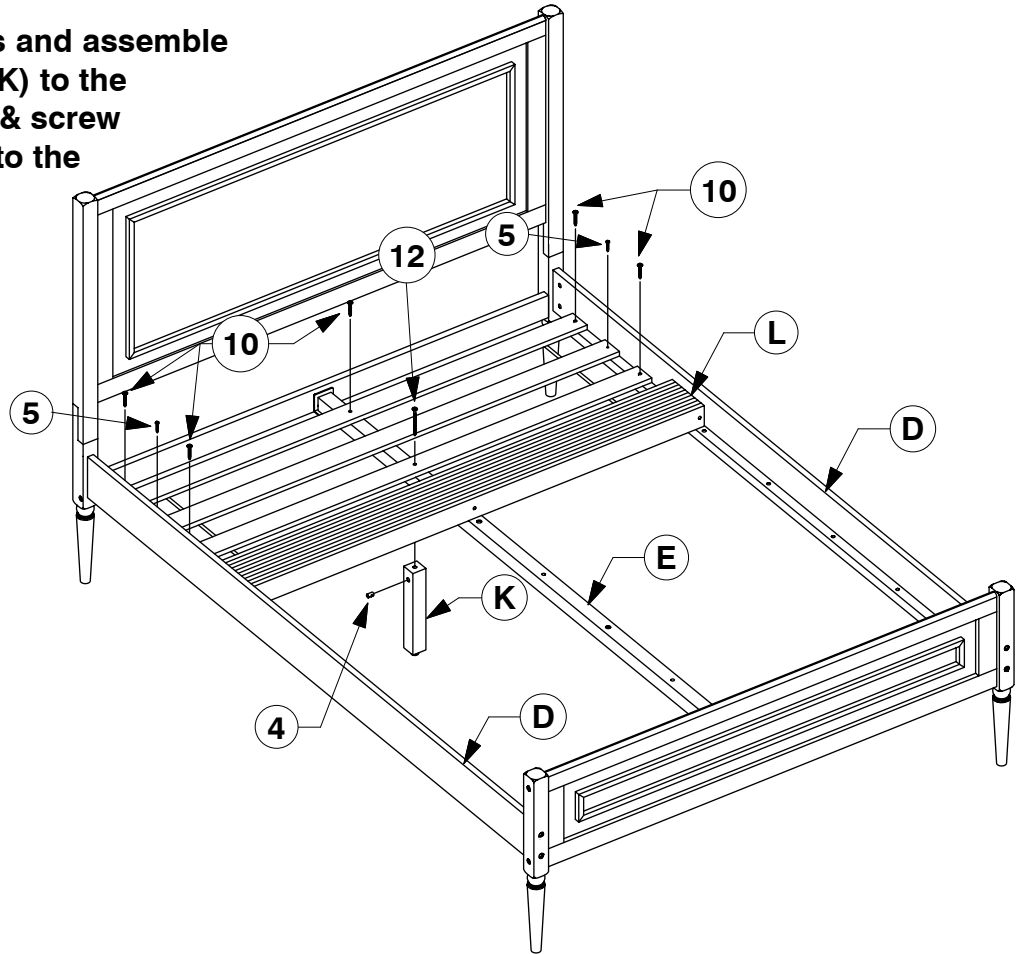
9 Bolt the Long Support (E) to the Center Rail Brackets (2) on the Headboard / Footboard.



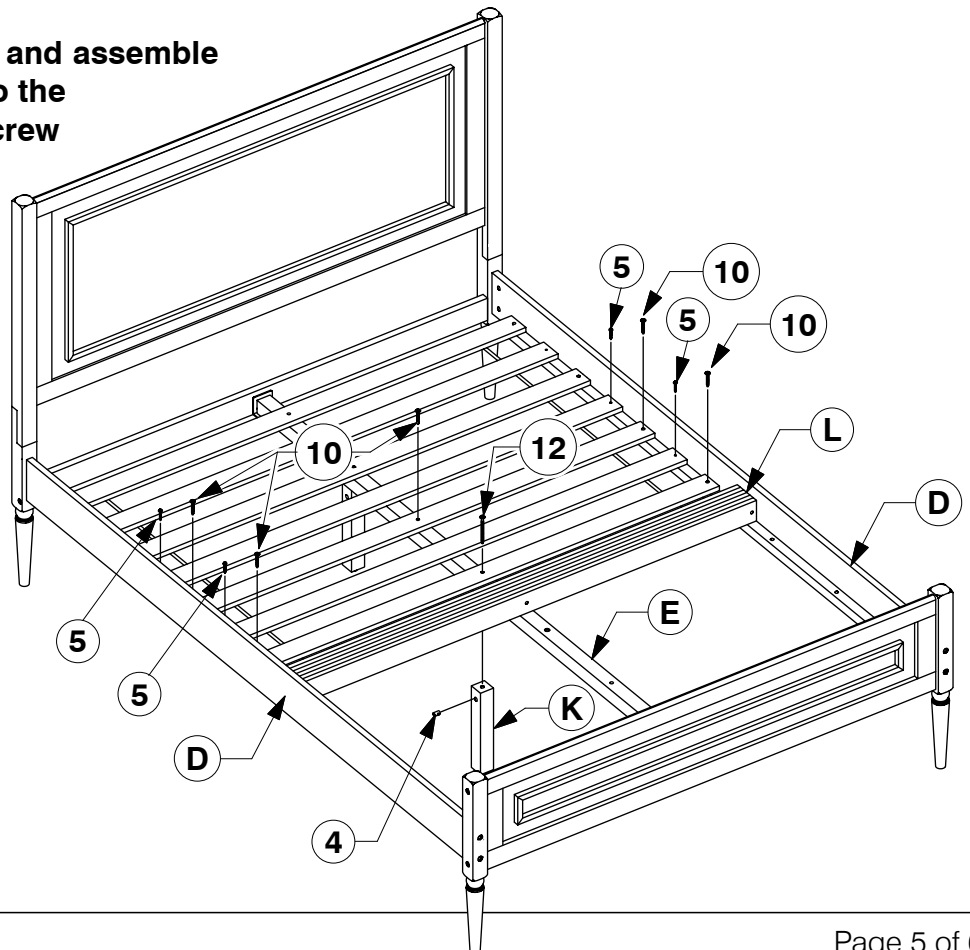
Full Bed

Assembly Instructions

- 10** Fit the first 3 Slats and assemble the Support Leg (K) to the Bed Slat (L). Bolt & screw the Bed Slats (L) to the Side Rail (D) & Long Support (E).



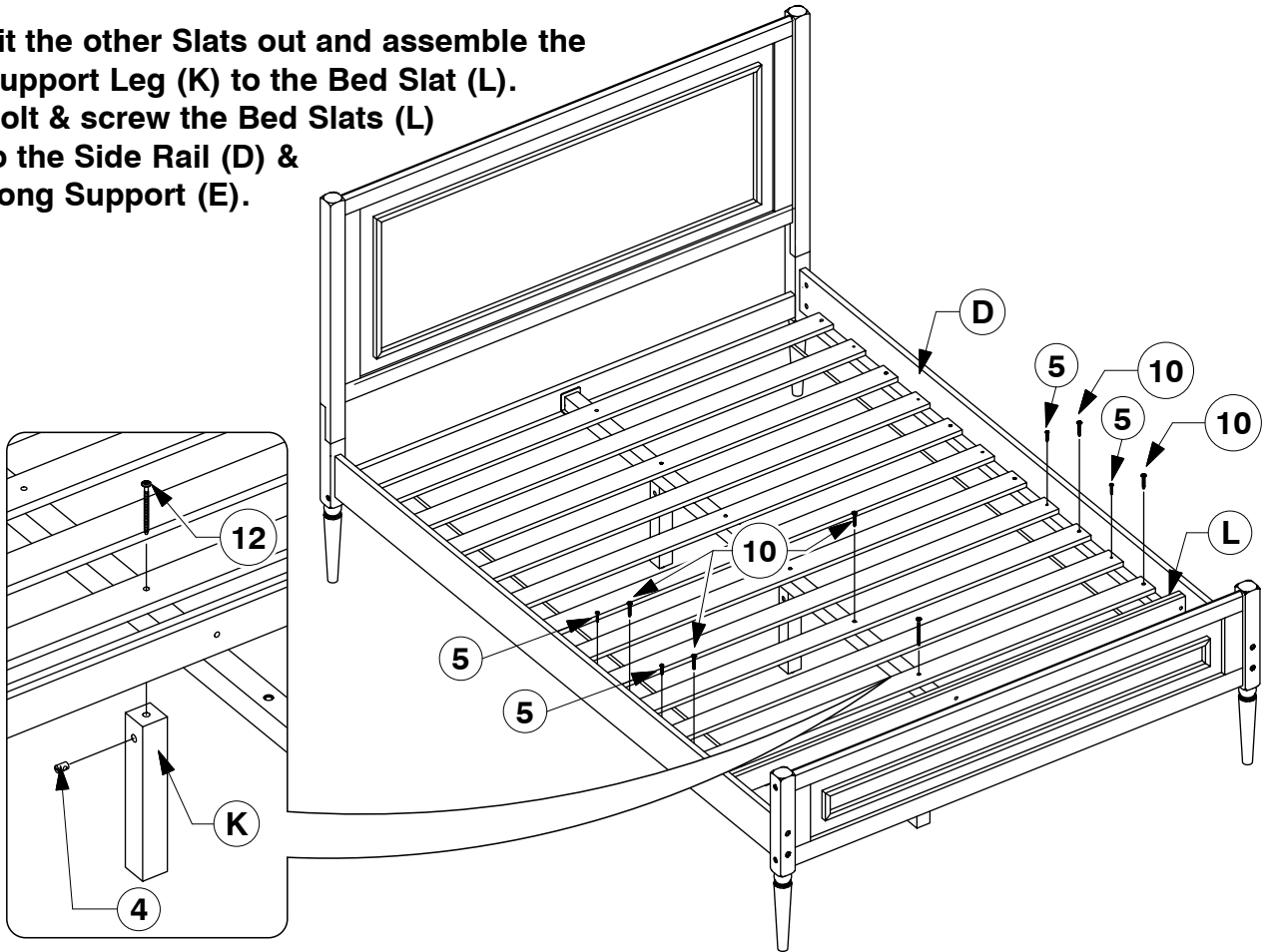
- 11** Fit the other Slats out and assemble the Support Leg (K) to the Bed Slat (L). Bolt & screw the Bed Slats (L) to the Side Rail (D) & Long Support (E).



Full Bed

Assembly Instructions

- 12** Fit the other Slats out and assemble the Support Leg (K) to the Bed Slat (L). Bolt & screw the Bed Slats (L) to the Side Rail (D) & Long Support (E).



- 13** Bolt & screw the remaining Bed Slats (L) to the Side Rail (D).

