



**USER'S MANUAL**  
**Bistro Table Set**

**Assembly Instructions**

Bistro Chair Parts List:

No.	Picture	Parts	Qty	No.	Picture	Parts	Qty	No.	Picture	Parts	Qty
F		Backrest	1	I		Right Arm	1	L		Washers(8mm)	10
G		Chair Seat	1	J		Left Arm	1	L		Spring washers(8mm)	10
H		Chair leg	4					L		Nuts(8mm)	10
								M		Plastic cap(6mm)	2
								N		Bolts M6*30	4
								O		Allen Wrench	1
								P		Stud M8*30	10
								Q		Wrench	1

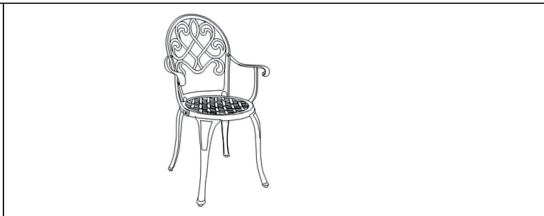
**Assembly Instructions**

1. Unpack and place all parts on a clean soft surface.

2. Use part O Allen wrench and part Q wrench to attach part F backrest to part G chair seat with two part P studs, and two part L washers, spring washers, and nuts.  
**DO NOT OVERTIGHTEN.**

3. Attach part I right arm and part J left arm to part G chair seat with four part N bolts, four part K washers, spring washers, and nuts, and two part M plastic caps.

4. Use part Q wrench to attach part H chair legs to part G chair seat with two part L nuts, washers, and spring washers per leg.  
**DO NOT OVERTIGHTEN.**

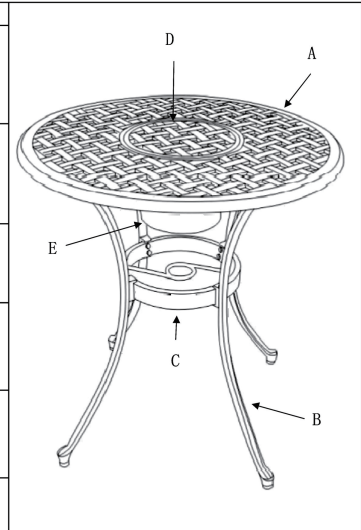


5. Flip chair upright and adjust the pre-installed levelers until the chair is level with the ground.  
6. Securely tighten all bolts, nuts, and screws.

**Assembly Instructions**

Bistro Table Part List:

No.	Picture	Parts	Qty	No.	Picture	Parts	Qty
A		Table Top	1	H		Spring Washer (8MM)	4
B		Table leg	4	I		Nut (8MM)	4
C		Leg Support	1	J		Flat Washer (8MM)	8
D		Cover	1	K		Spring Washer (8MM)	8
E		Ice Bucket	1	L		Nut (8MM)	8
F		Stud M8*30	4	M		Wrench	1
G		Flat Washer (8MM)	4	N		Stud M8*35	8



**Assembly Instructions**

1. Unpack and place all parts on a clean soft surface.

2. Attach part B table legs to part A table top with four part F studs, four part G flat washers, four part H spring washers, and four part I nuts.  
**DO NOT OVER TIGHTEN**

3. Attach part C leg support to part B table legs with four part N studs, four part J flat washers, four part K nuts, and four part L nuts.

4. Insert part E ice bucket into the middle of part A table top. Place part D cover on top of ice bucket.



**DO NOT OVER TIGHTEN**

5. Flip table upright and adjust the pre-installed leveler until the table is level with the ground.  
6. Securely tighten all nuts.