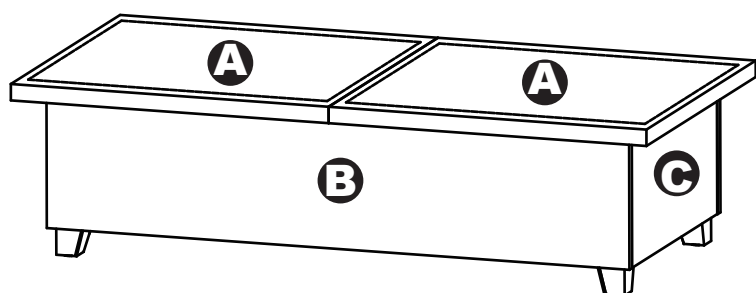


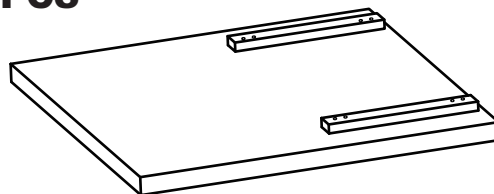
COFFEE TABLE/CABINET ASSEMBLY INSTRUCTIONS

Please keep for future reference

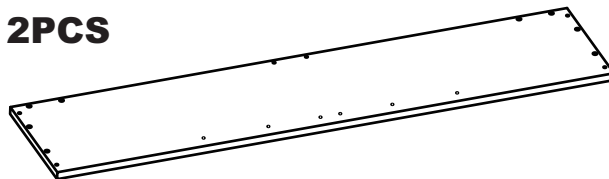
PARTS LIST



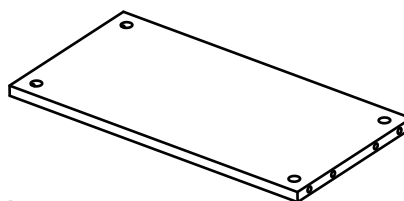
A 2PCS



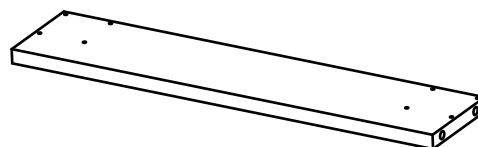
B 2PCS



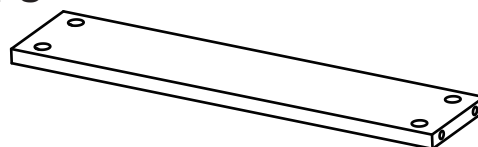
C 2PCS



D 2PCS








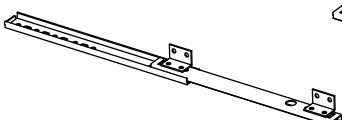
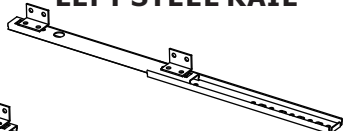



E 1PC



F 2PCS

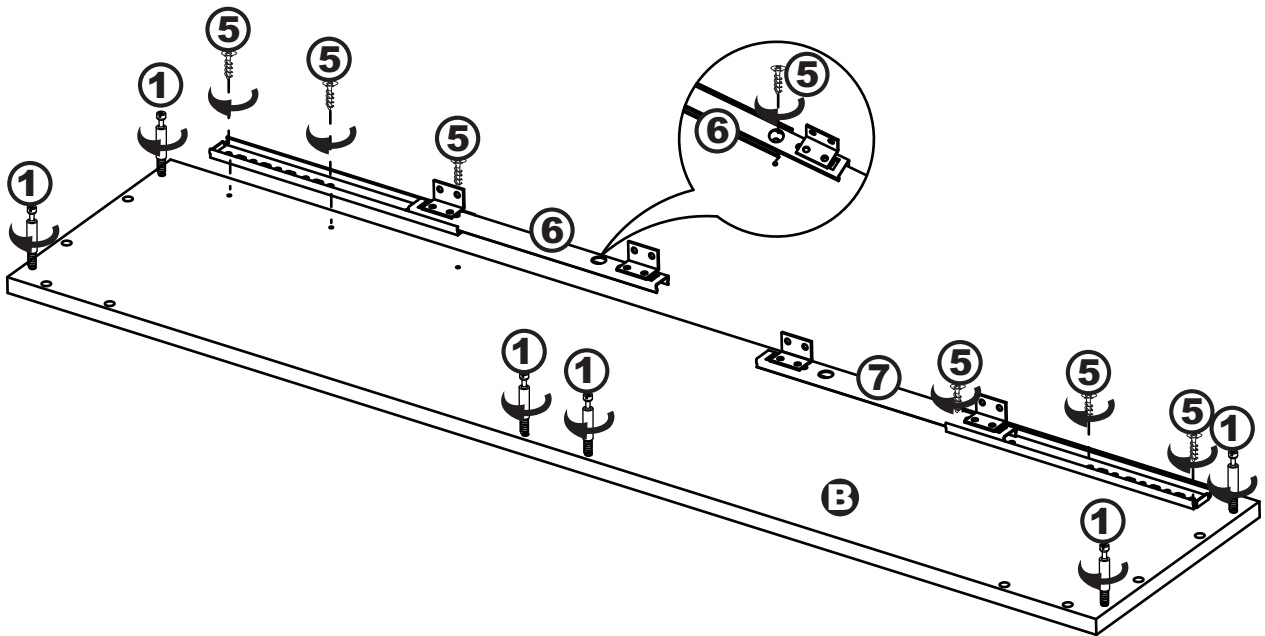


HARDWARE LIST

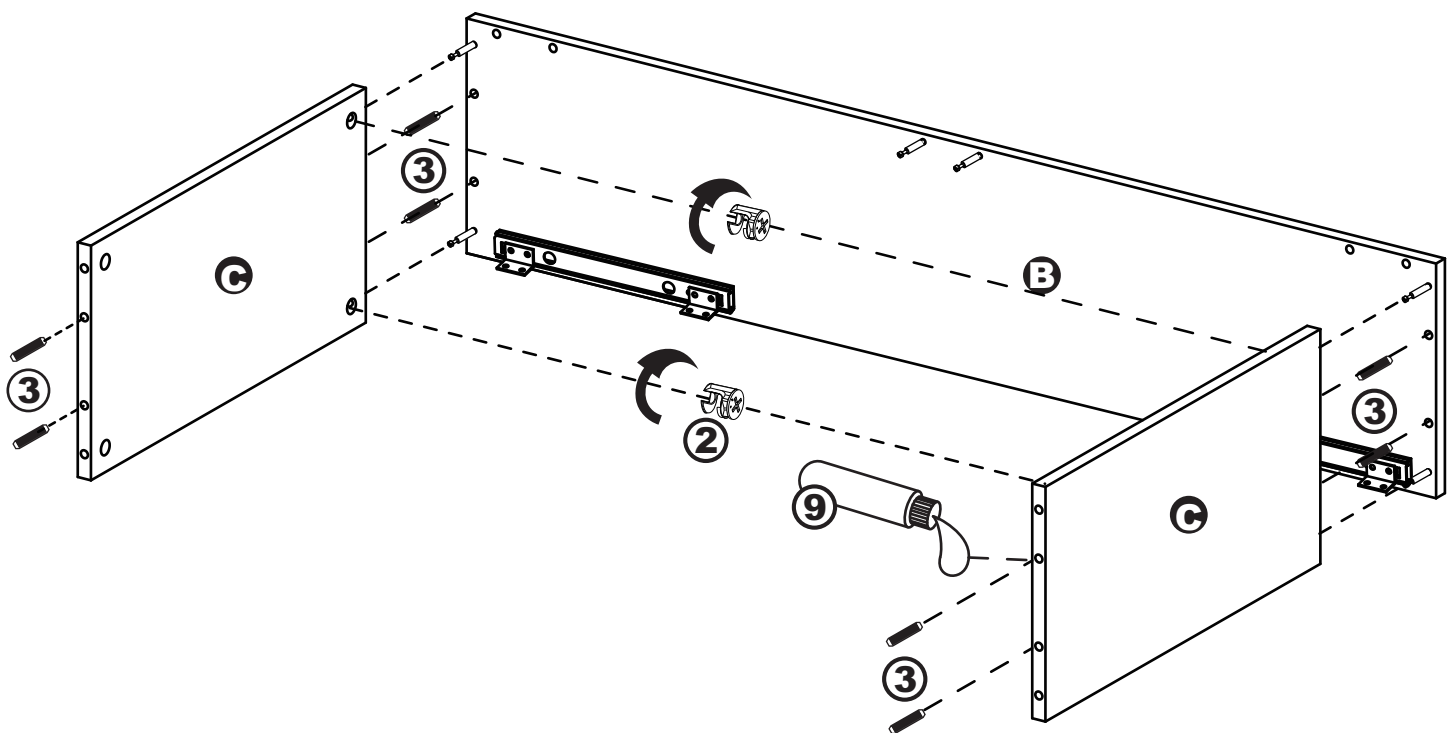
- | | | | | |
|---|---|---|---|---|
| ① 12PCS
CAM LOCK PIN | ② 12PCS
CAM LOCK NUT | ③ 16PCS
WOOD DOWEL | ④ 16pcs
Philips wood screw | ⑤ 12PCS
SHORT-SIZE
WOOD SCREW |
|  |  |  |  |  |
| ⑥ 2PCS
RIGHT STEEL RAIL | ⑦ 2PCS
LEFT STEEL RAIL | ⑧ 4PCS
PLASTIC FEET | ⑨ 1PCS
GLUE | ⑩ 16PCS
MIDDLE-SIZE
WOOD SCREW |
|  |  |  |  |  |

STEP : 1 ~ 2

STEP : 1

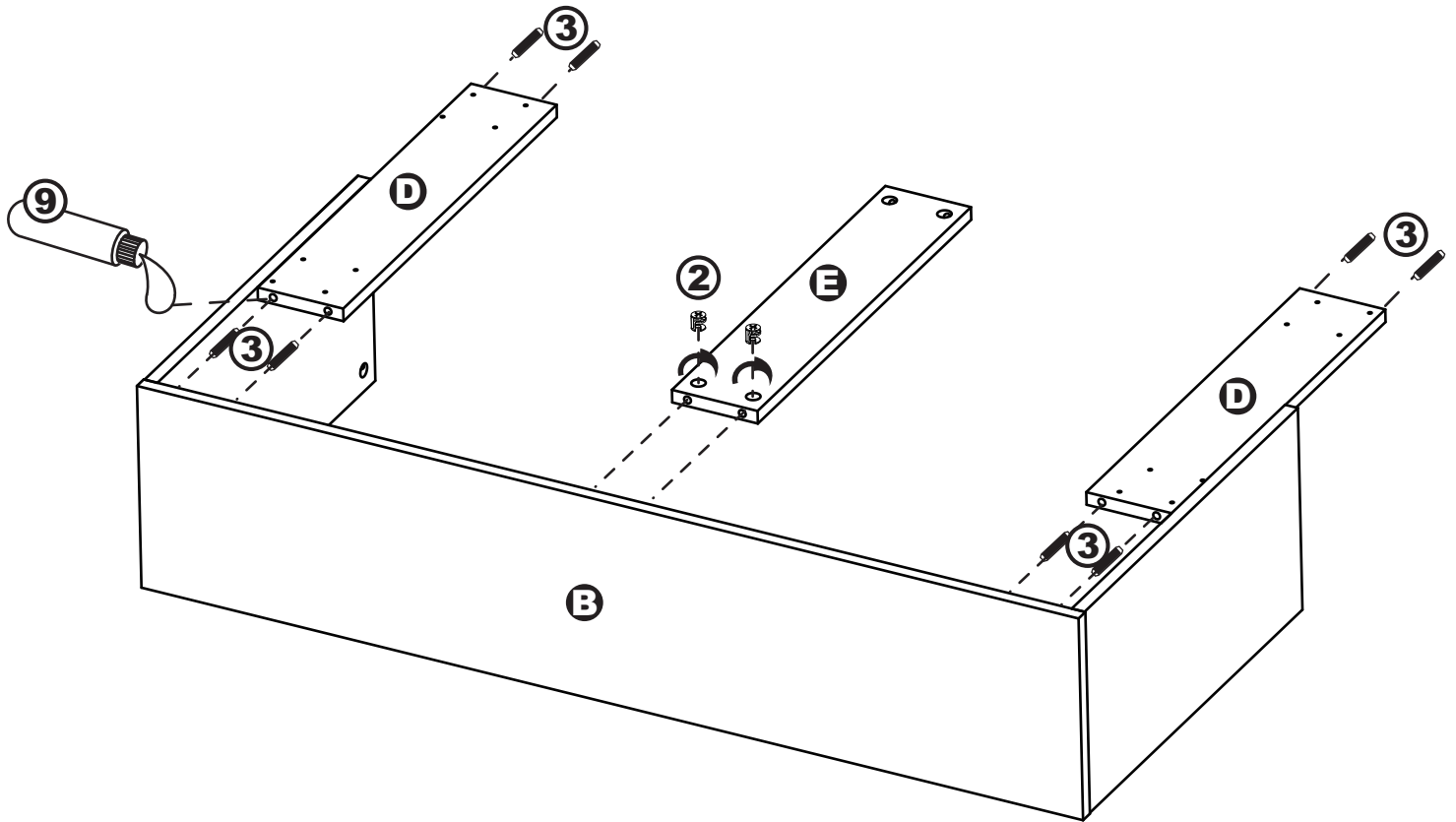


STEP : 2

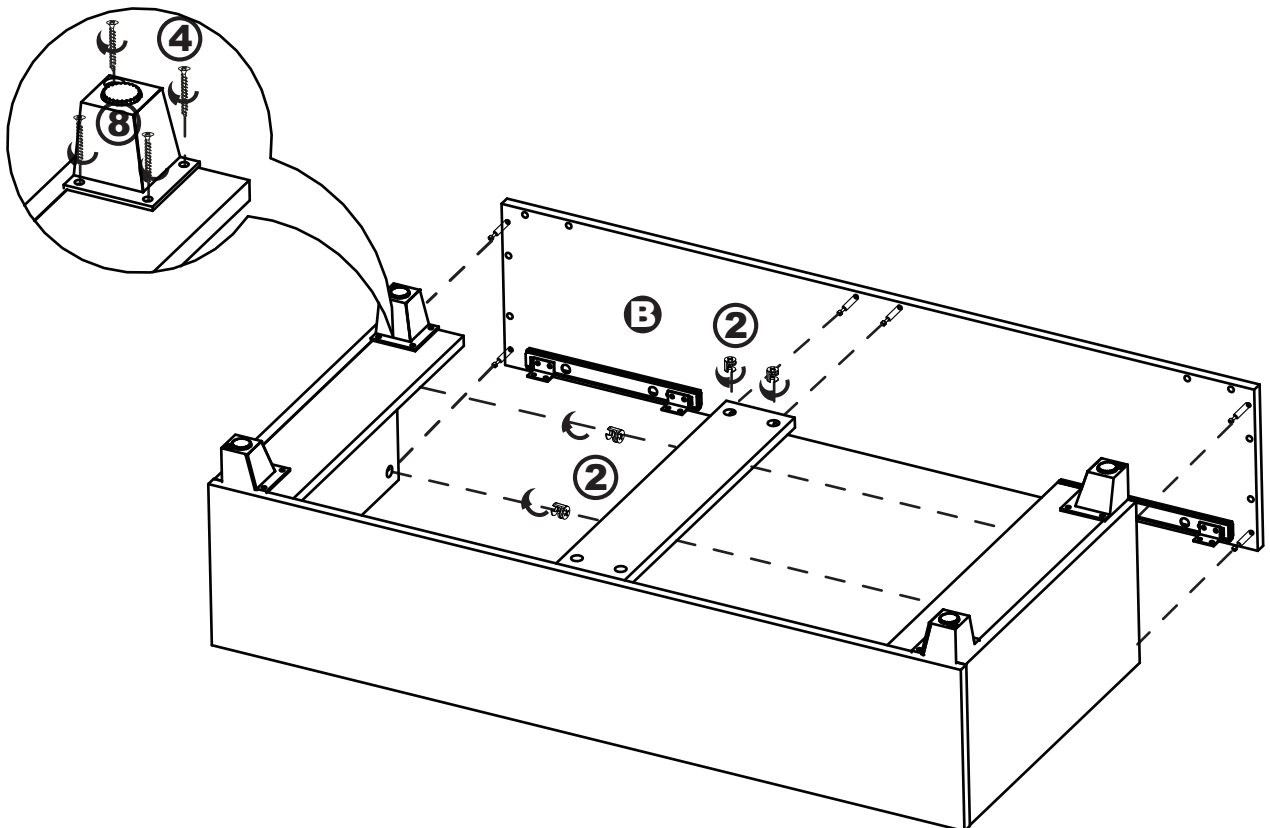


STEP : 3 ~ 4

STEP : 3

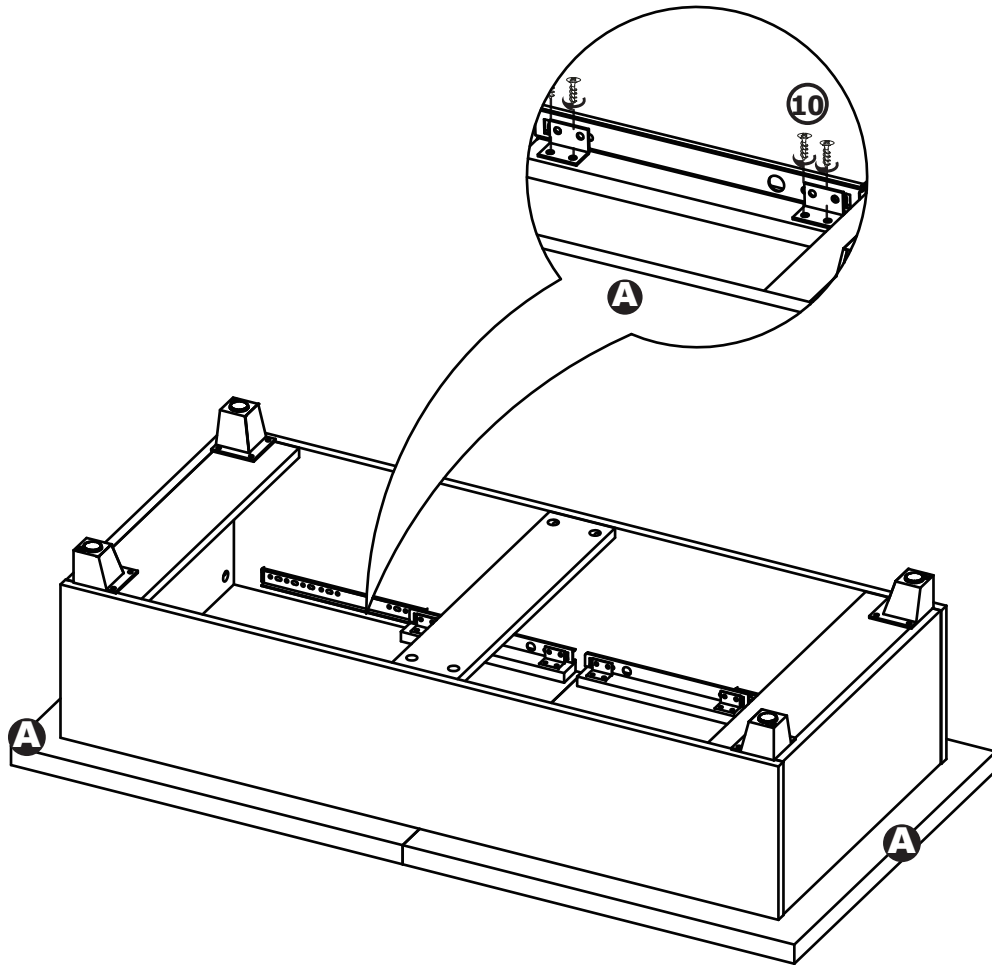


STEP : 4



STEP : 5 ~ 6

STEP : 5



STEP : 6

