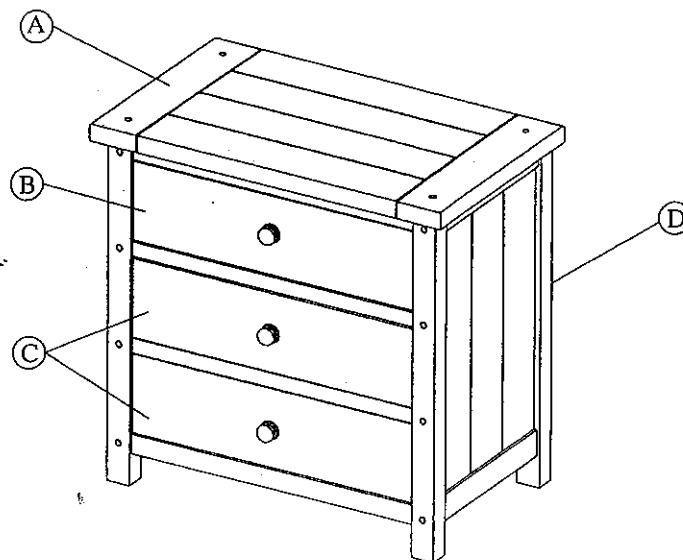


ASSEMBLY INSTRUCTION

Description: NIGHTSTAND

Thank you for purchasing this quality product. Be sure to check all packing material carefully for small Hardware which may have come loose inside the carton during shipment. Identify and count all Hardware and compare with the Hardware List Below.

PART LIST			
NO.	PART DESCRIPTION	CODE	QTY.
Ⓐ	NIGHTSTAND TOP	NSTOP	1 PC
Ⓑ	NIGHTSTAND TOP DRAWER WITH FELT	NSDWA	1 PC
Ⓒ	NIGHTSTAND BOTTOM DRAWER	NSDWB	2 PCS
Ⓓ	NIGHTSTAND BACK PANEL	NSBPN	1 PC



MADE IN VIET NAM