





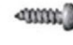


Assembly Instructions

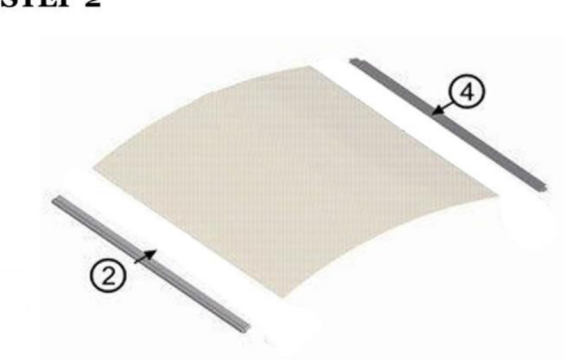
	IMAGE	QTY	PART		IMAGE	QTY	PART
①		2	Board	④		2	Back Fixing Bar
②		2	Frontal Fixing Bar	⑤		6	Setscrew
③		3	Bracket	⑥		4	Bolt (big)
				⑦		2	Bolt (small)

STEP 1



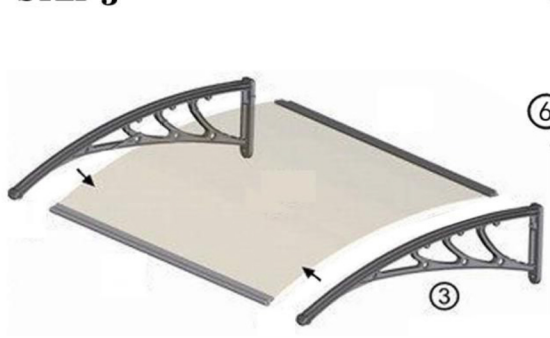
Remove the protective film from the board.

STEP 2



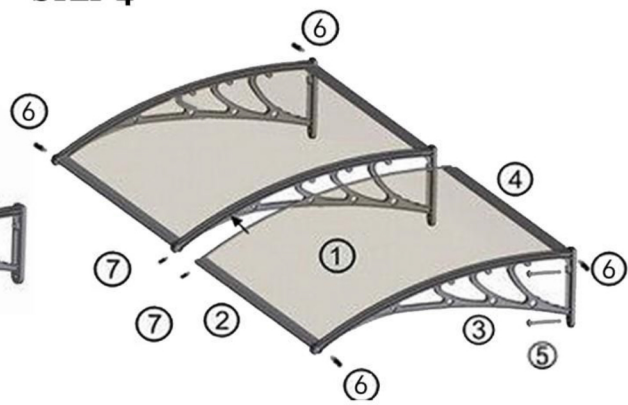
Align the board into the both fixing bars.

STEP 3



Mount the assemble board on the brackets and connect them with bolt ⑥ and ⑦.
(It's recommend to place the board vertically when mounting the brackets.)
Assemble the other canopy with one bracket in the same steps.

STEP 4



Drill six holes before installing the canopy. Make sure the holes you drill can exactly match to the holes of the bracket.
Use setscrew ⑤ to fix the unit onto the desired location.

NOTE

It's recommended to install this unit with a minimum of 2 person.
Make sure that the desired location won't cause any possible injuries.
Regularly check all the fittings and connections. Tighten them up if loose.