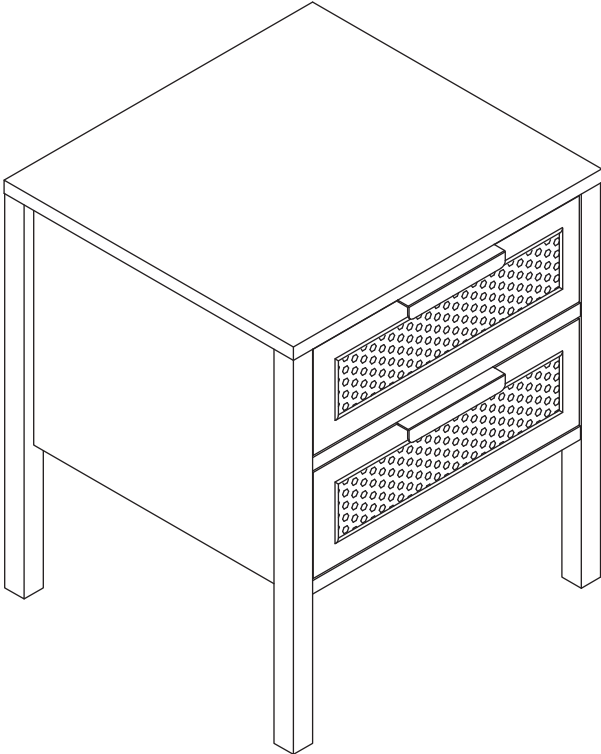


Instruction Manual

BEDSIDE TABLE 2 DWR



CONTENTS

Safety and care advice	1
Components – parts	2
Components – fittings	3
Assembly instructions	4
Copyright	11



SAFETY AND CARE ADVICE



PLEASE READ THESE INSTRUCTIONS CAREFULLY AND KEEP FOR FUTURE REFERENCE

Warning: This unit weighs approximately 17.5kg. Please lift with care.

- Check you have all the components and tools listed on pages 2 and 3.
- Remove all fittings from the plastic bags and separate them into their groups.
- Keep children and animals away from the work area, small parts could choke if swallowed.
- Make sure you have enough space to layout the parts before starting.
- Do not stand or put weight on the product, this could cause damage.
- Assemble the item as close to its final position (in the same room) as possible.

·Assemble on a soft level surface to avoid damaging the unit or your floor (use opened out unit carton).



·We do not recommend the use of power drill/drivers **for inserting screws**, as this could damage the unit. Only use hand screwdrivers.

·**Safety note:** If there is any chance of this unit being pulled over by children etc. it is recommended that the unit is secured to a wall using suitable fixings .

·Dispose of all packaging carefully and responsibly.

CARE AND MAINTENANCE

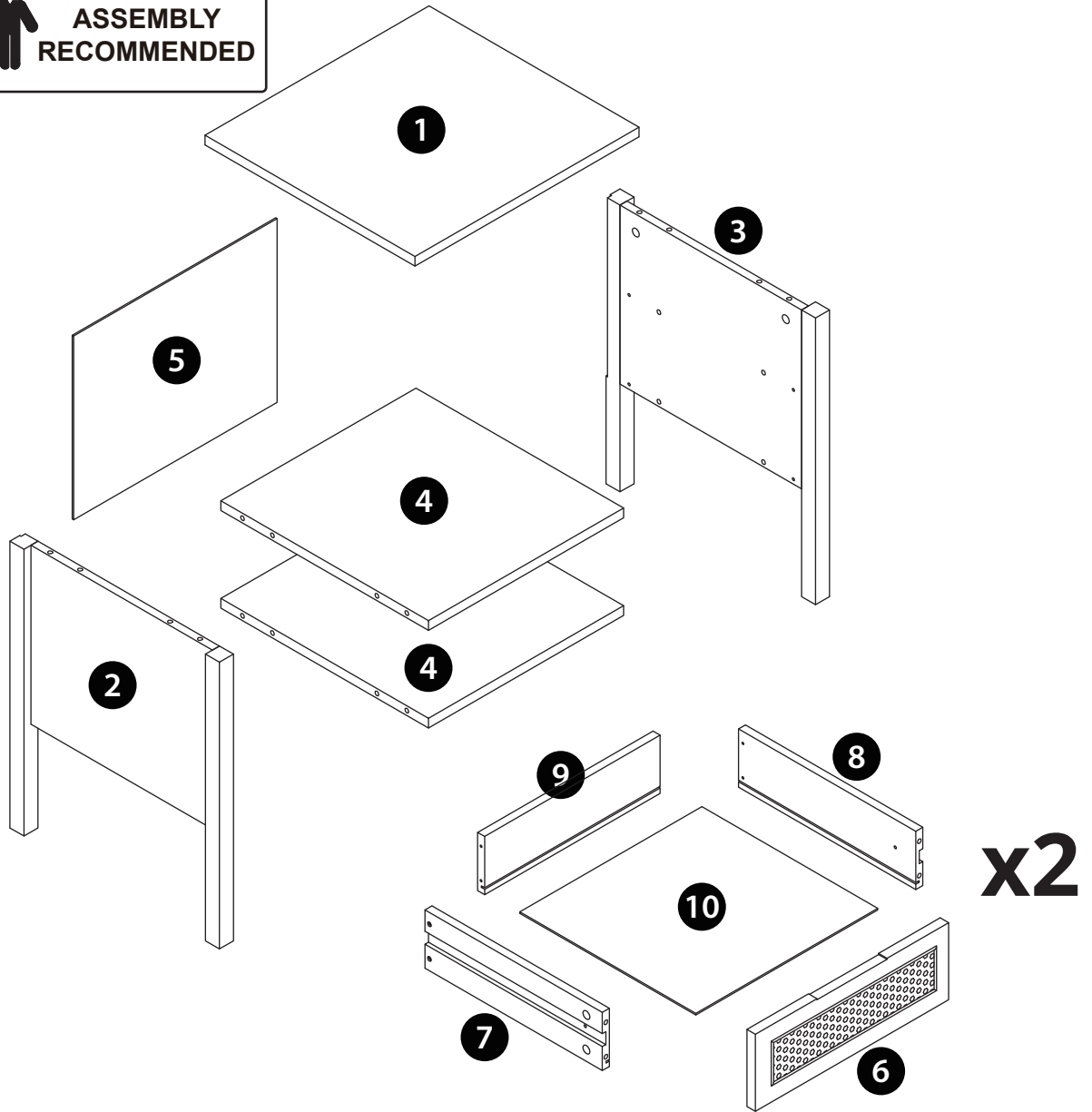
- Only clean using a damp cloth and mild detergent, do not use bleach or abrasive cleaners.
- From time to time check that there are no loose screws on this unit.

·This product should not be discarded with household waste. Take to your local authority waste disposal center.

Note: *If required the next page can be cut out and used as reference throughout the assembly. Keep this page with these instructions for future reference*

COMPONENTS — PARTS

Please check you have all the parts listed below:



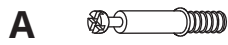
PARTS LIST

1 Top Panel	x1	8 Drawer Left Side Panel	x2
2 Left Side Panel	x1	9 Drawer Back Panel	x2
3 Right Side Panel	x1	10 Drawer Bottom Panel	x2
4 Bottom Shelf	x2		
5 Back Panel	x1		
6 Drawer Front Panel	x2		
7 Drawer Right Side Panel	x2		



COMPONENTS — FITTINGS

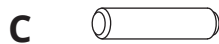
Please check you have all the fittings listed below:



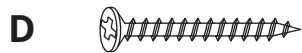
Metal Dowel x 20



Lock (Ø15x10mm) x 20



Wooden Dowel (Ø8x30mm) x 12



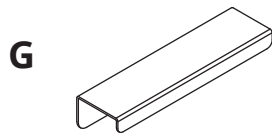
Screw (Ø3.5x30mm) x 8



Screw (Ø3.5x12mm) x 17



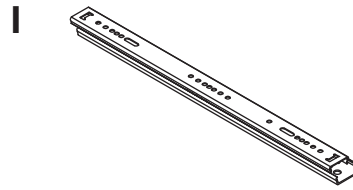
Metal Slide -Screw x 4



Handle x 2



Foot pad x 4



Metal Slide x 4



Screw (Ø2.2x12mm) x 12

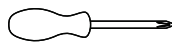


Anti Tip Strap x 1

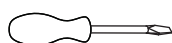


Small Flat Washer (M4) x 1

TOOLS NEEDED
(We don't provide)



Phillips Screwdriver x 1

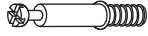




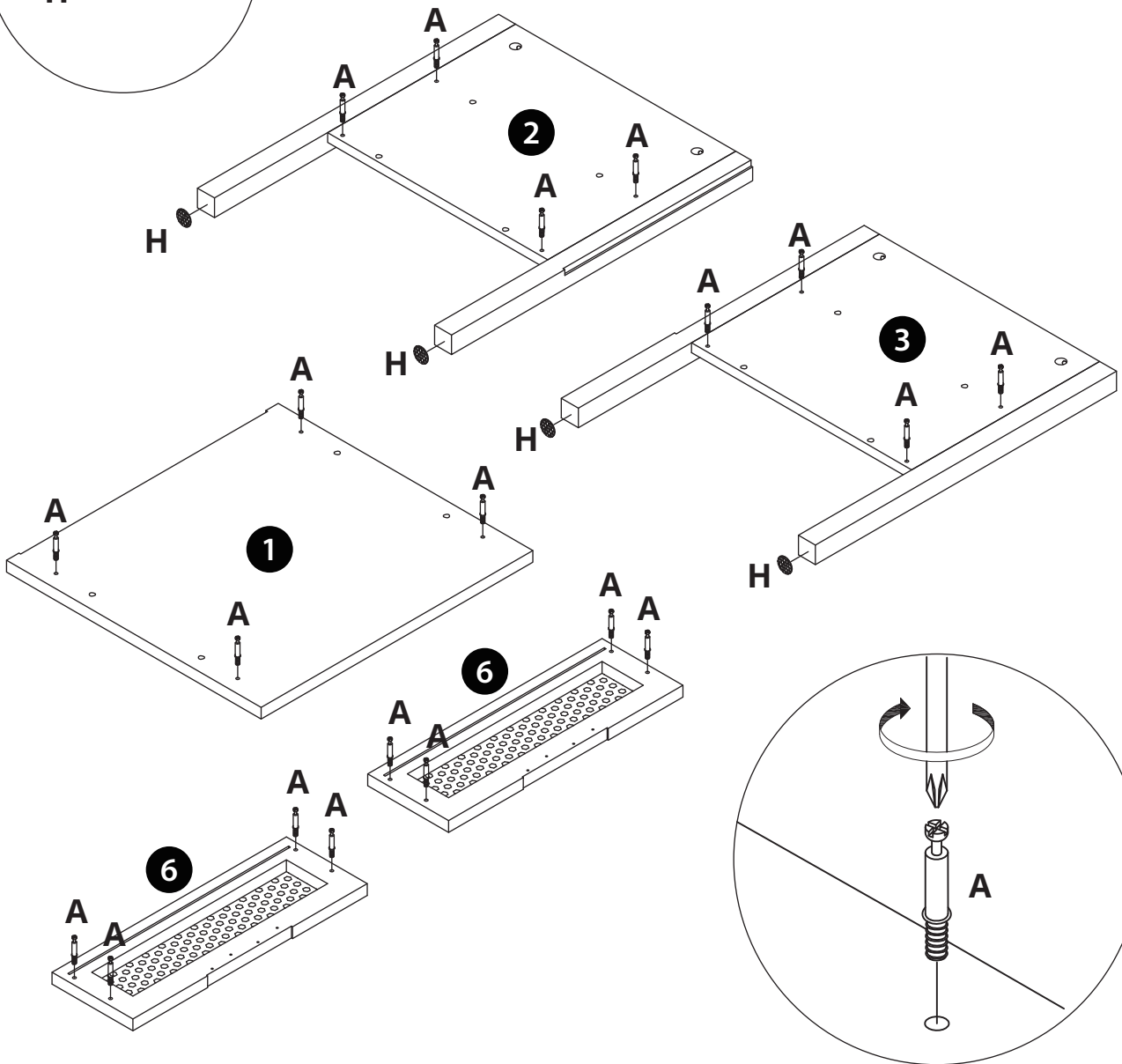
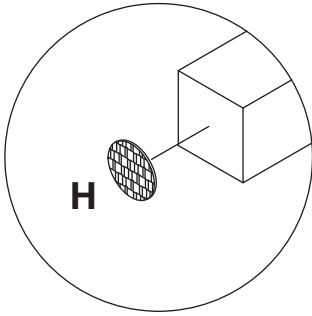
Flat head Screwdriver x 1



ASSEMBLY INSTRUCTIONS

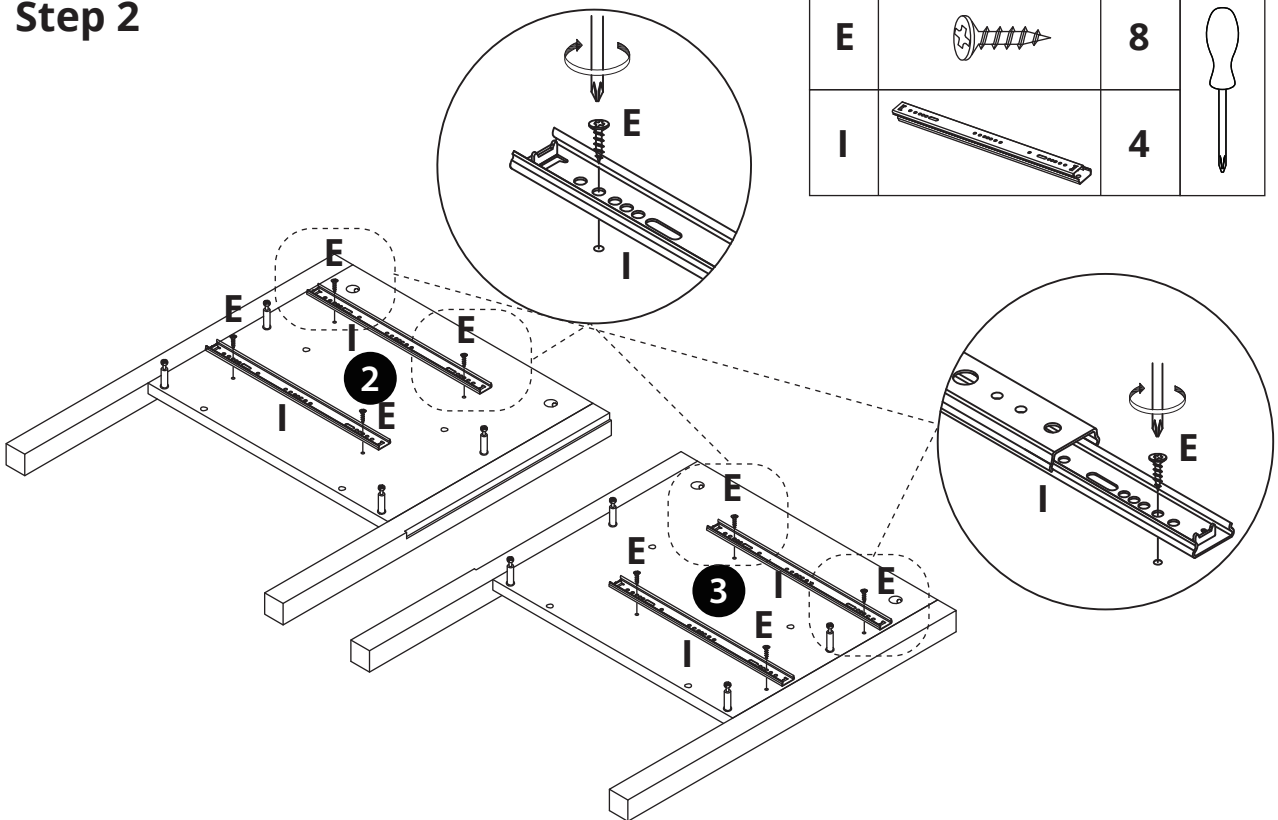
Step 1

A		20	
H		4	

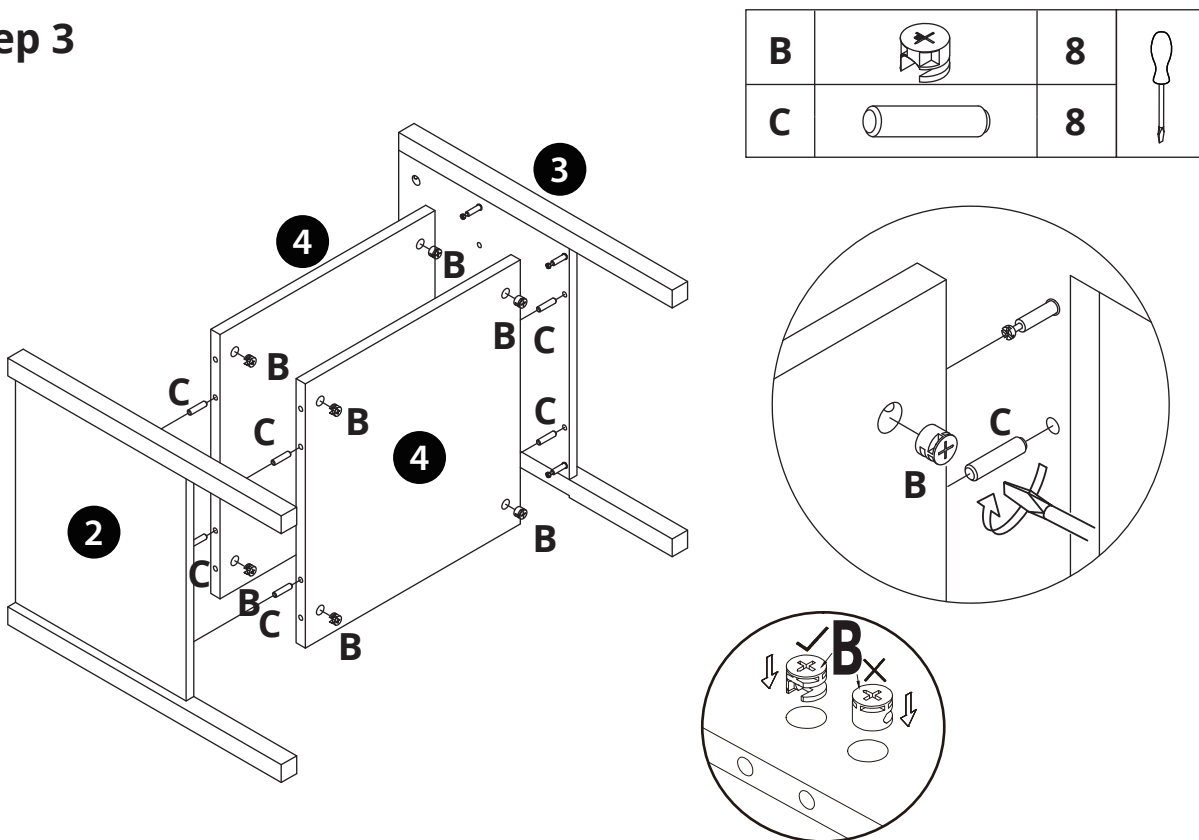


ASSEMBLY INSTRUCTIONS

Step 2

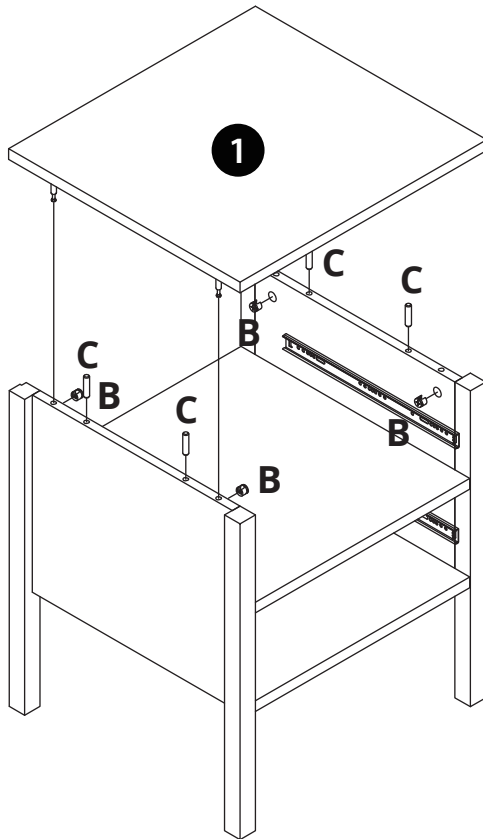





Step 3

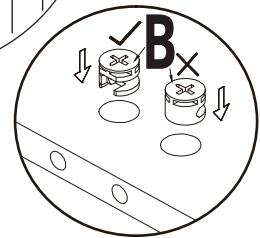
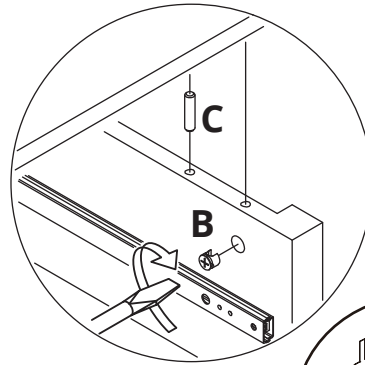


ASSEMBLY INSTRUCTIONS

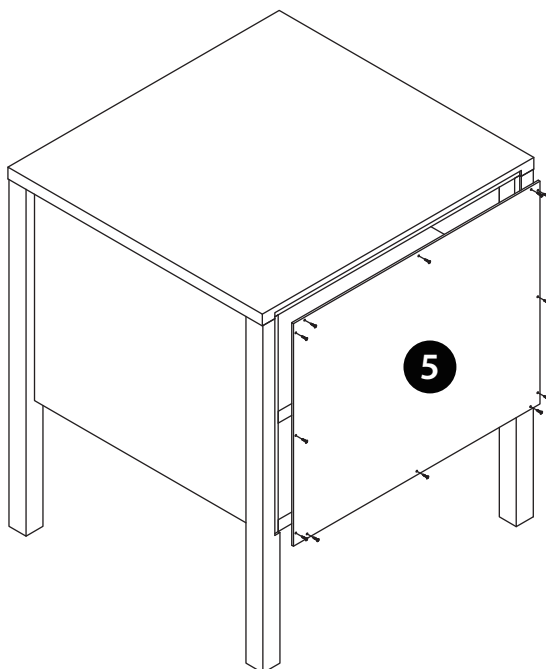
Step 4

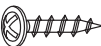



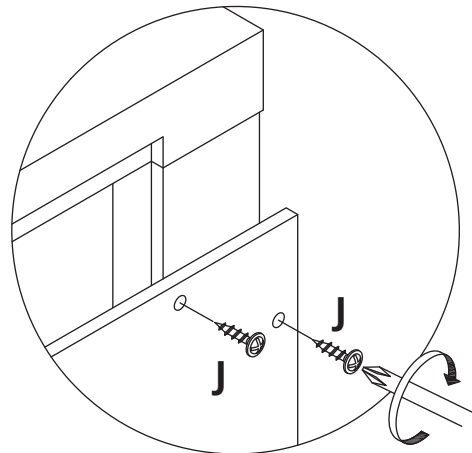
B		4	
C		4	



Step 5





J		12	
----------	---	-----------	---

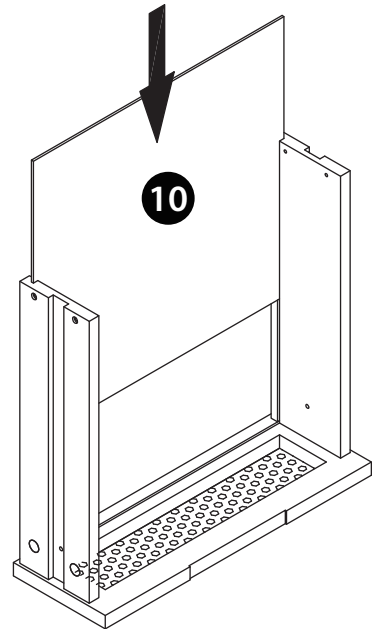
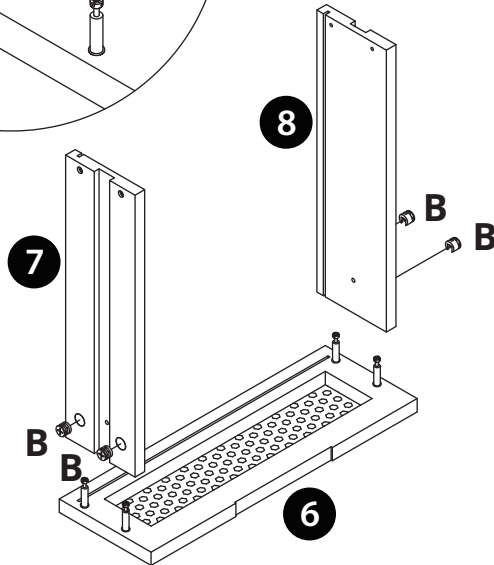
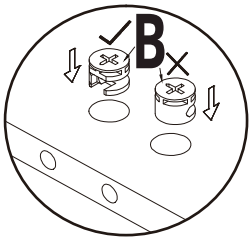
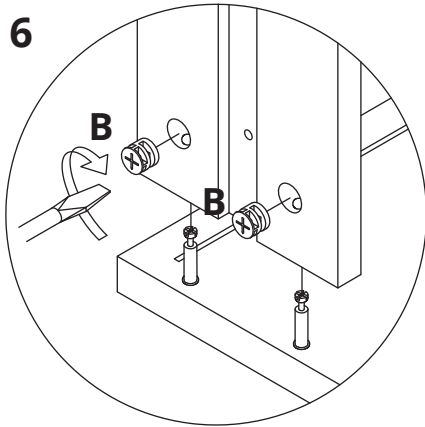


ASSEMBLY INSTRUCTIONS

Step 6




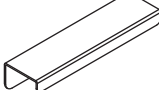
x2

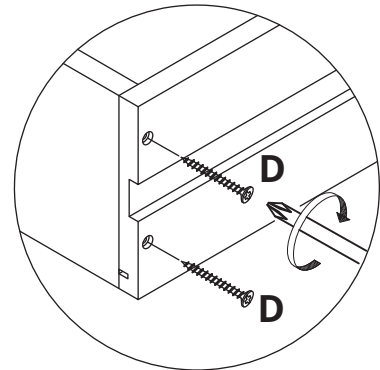
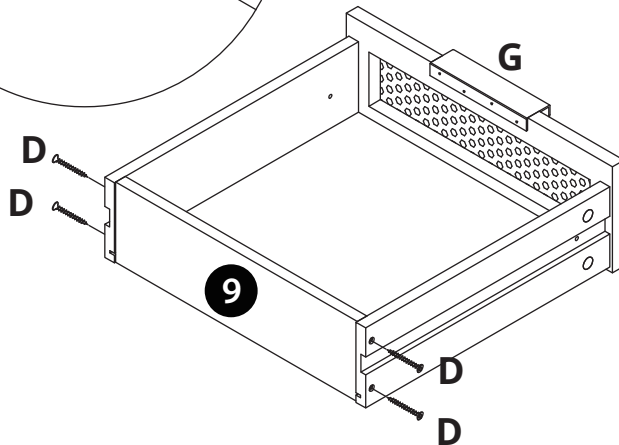
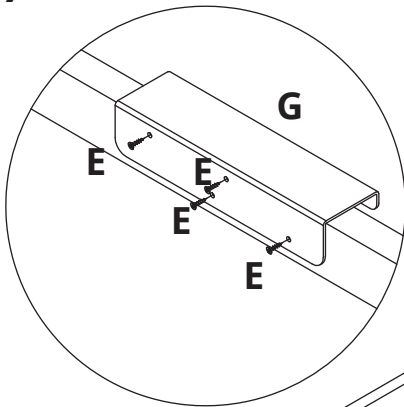
B		8	



Step 7

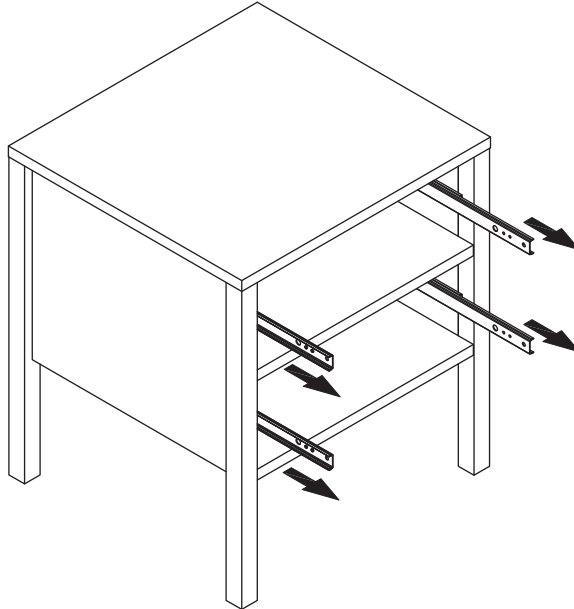
x2

D		8	
E		8	
G		2	

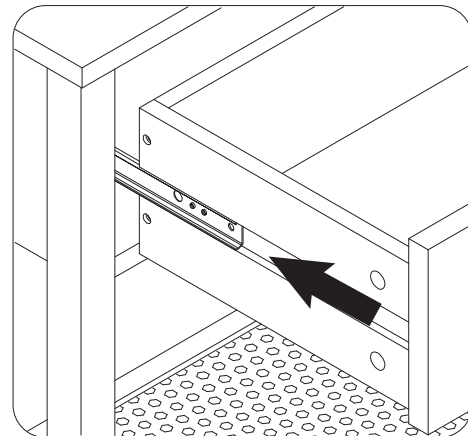
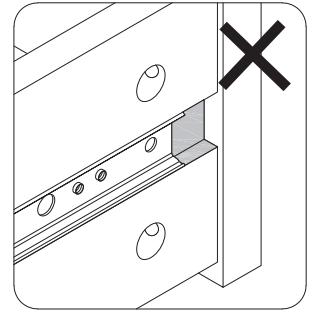
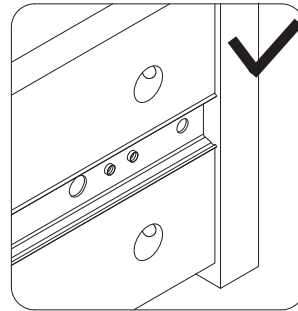
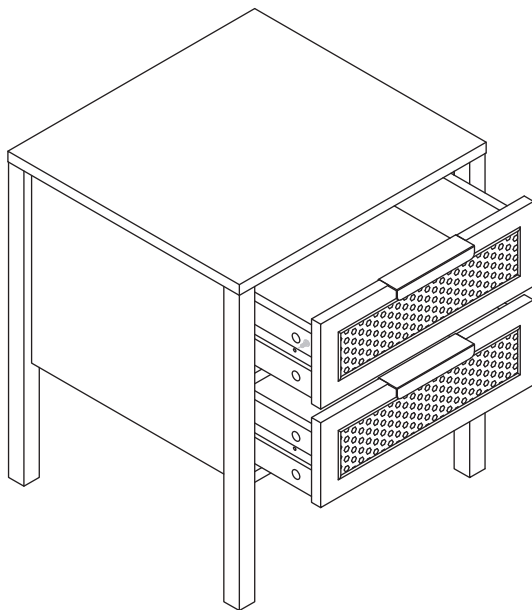


ASSEMBLY INSTRUCTIONS

Step 8

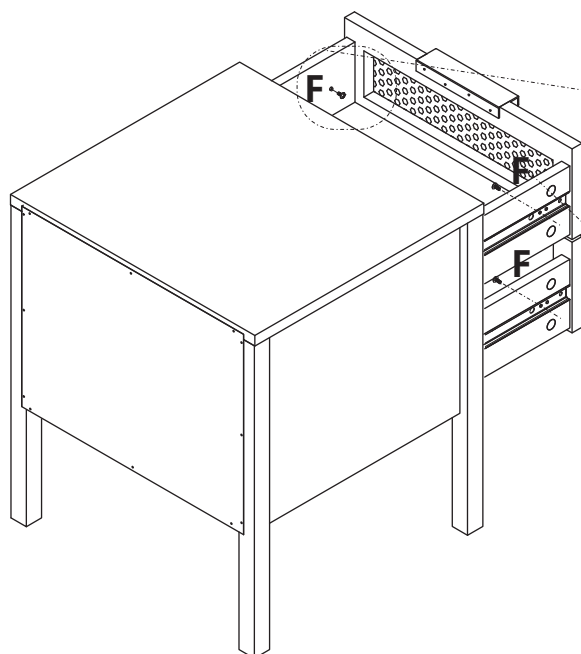




Step 9

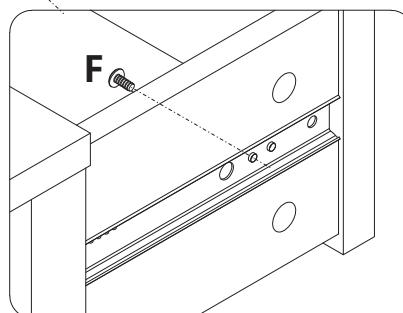
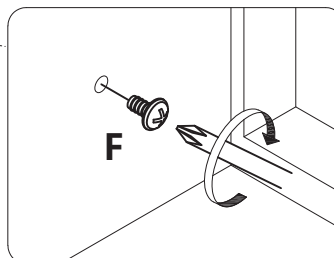


ASSEMBLY INSTRUCTIONS

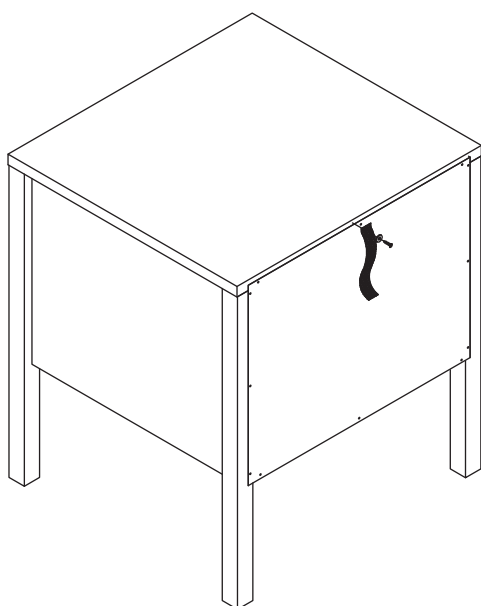
Step 10

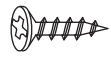





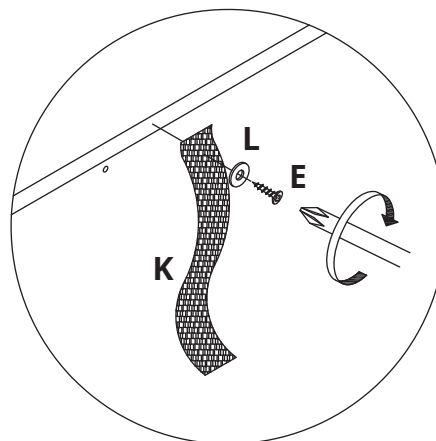
F		4	
---	---	---	---



Step 11

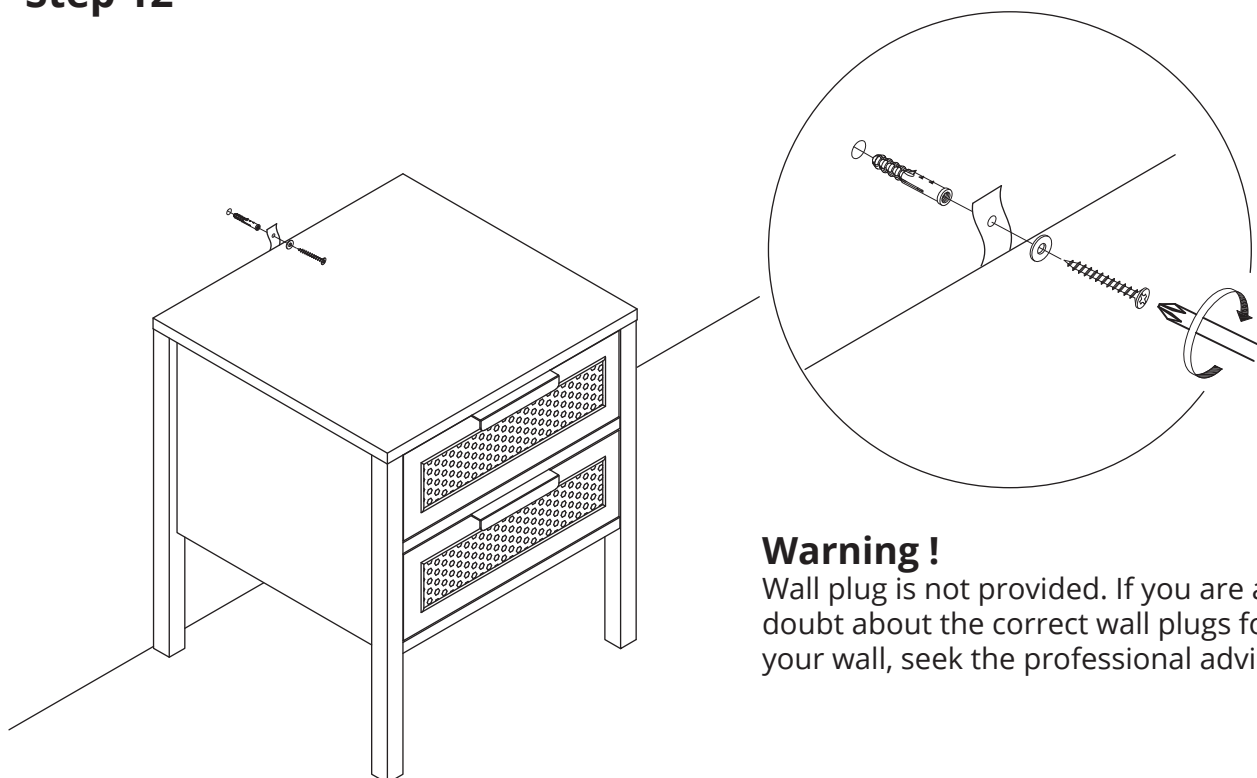


E		1	
K		1	
L		1	



ASSEMBLY INSTRUCTIONS

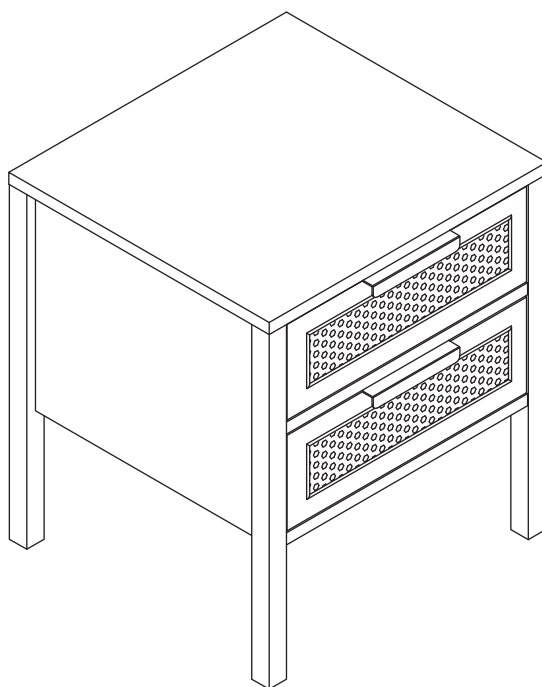
Step 12



Warning !

Wall plug is not provided. If you are any doubt about the correct wall plugs for your wall, seek the professional advice.

Step 13



Congratulations! Now you have finished assembling the product.

IF YOU FIND A DEFECTIVE PART

We fully stock all parts and components. Any defective part can be quickly replaced. Take note of the defective part number in manual and we will arrange a quick replacement.