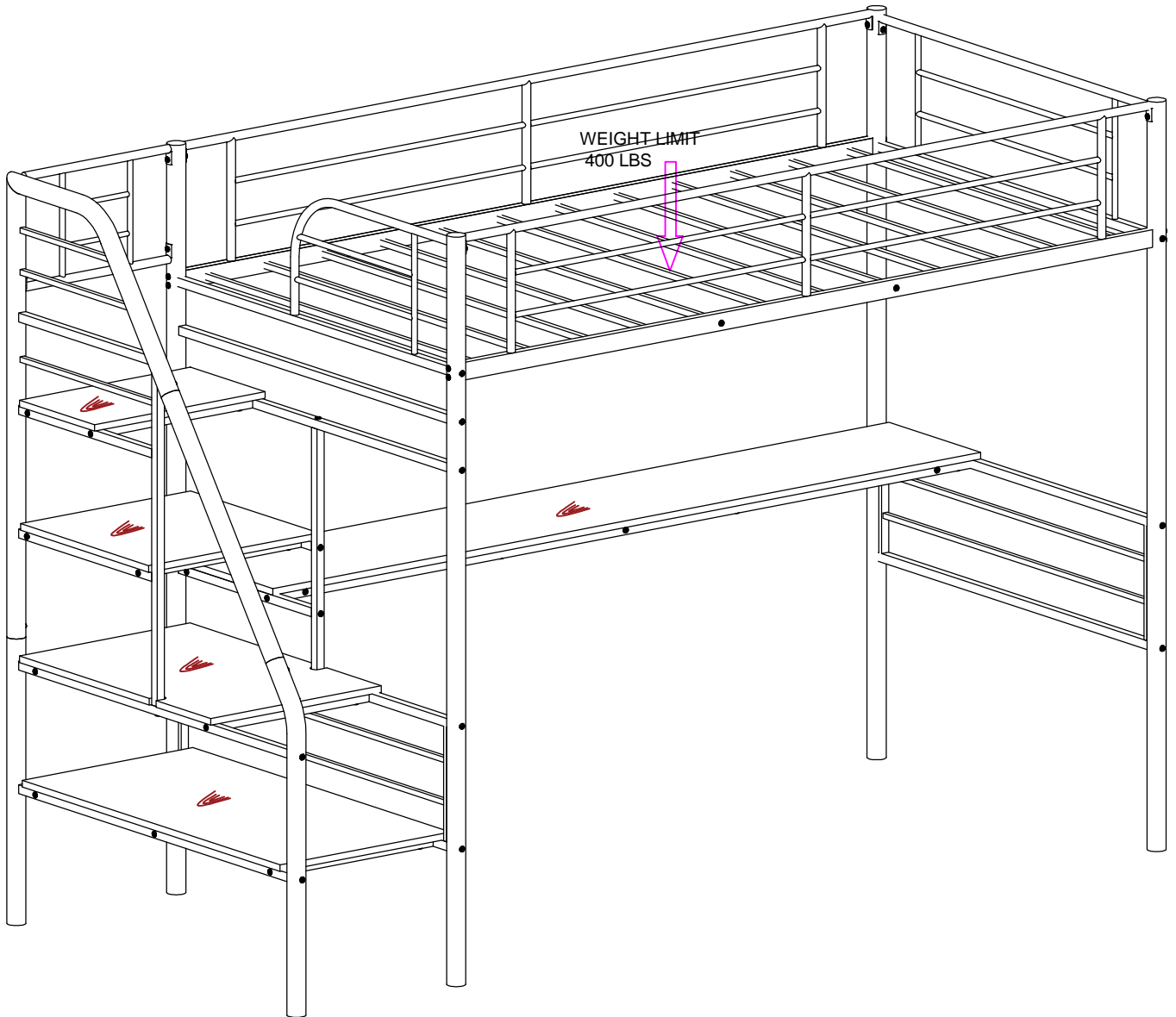


LOFT BED
ASSEMBLY INSTRUCTIONS
MF212219AAB&MF212220AAB

ITEM: 227T



PLEASE DO NOT RETURN PRODUCT TO THE STORE.

If you have any problem or concerns, please feel free to contact our customer service department.

Please send your request to the following contact details according to the platform you purchased.

Walmart Platform:



E-mail : wmcsr@comptree.net

Tell: 626-912-8886 Ext. 100

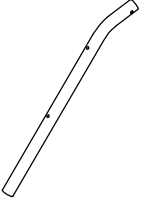
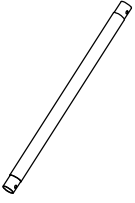

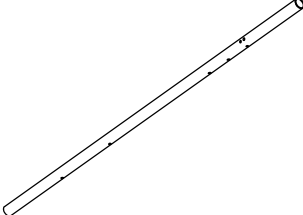
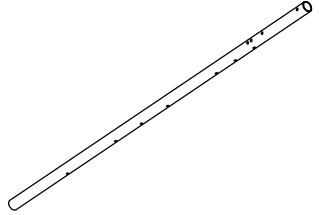
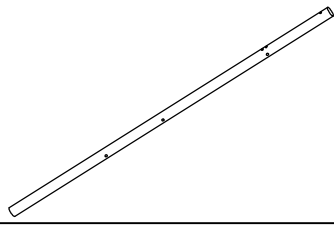
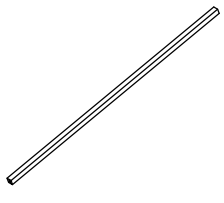
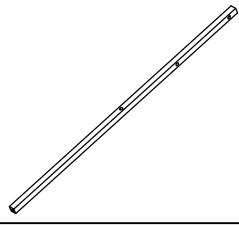
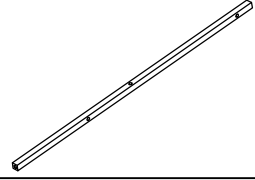
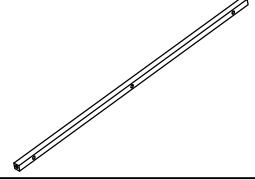
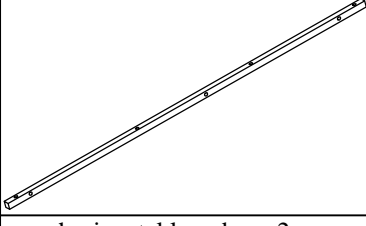
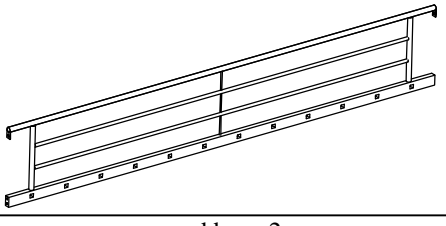
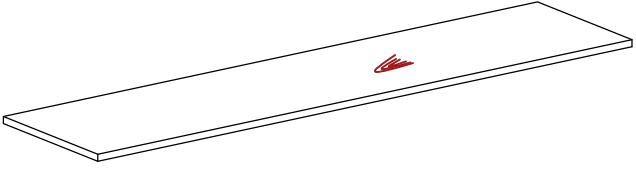
Other(Amazon,Wayfair,Homedepot,Overstock etc.).

Platform:

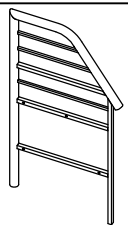
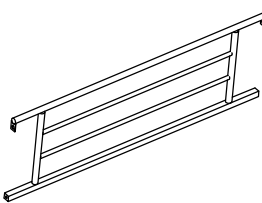
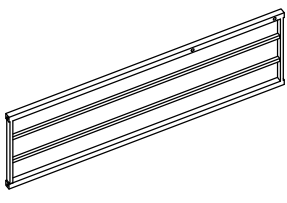
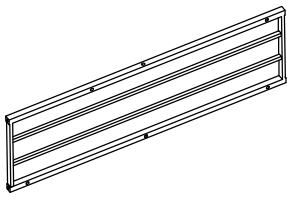
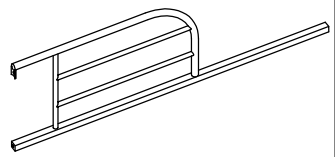
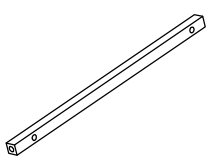
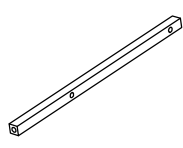

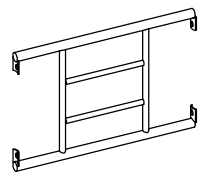
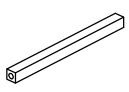
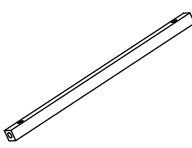
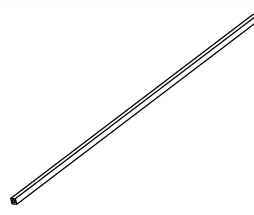
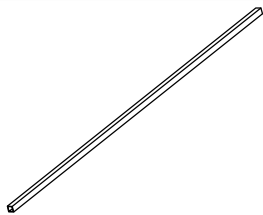


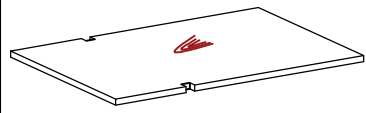

E-mail : csr@merax.com

Tell: 626-912-8886 Ext. 100

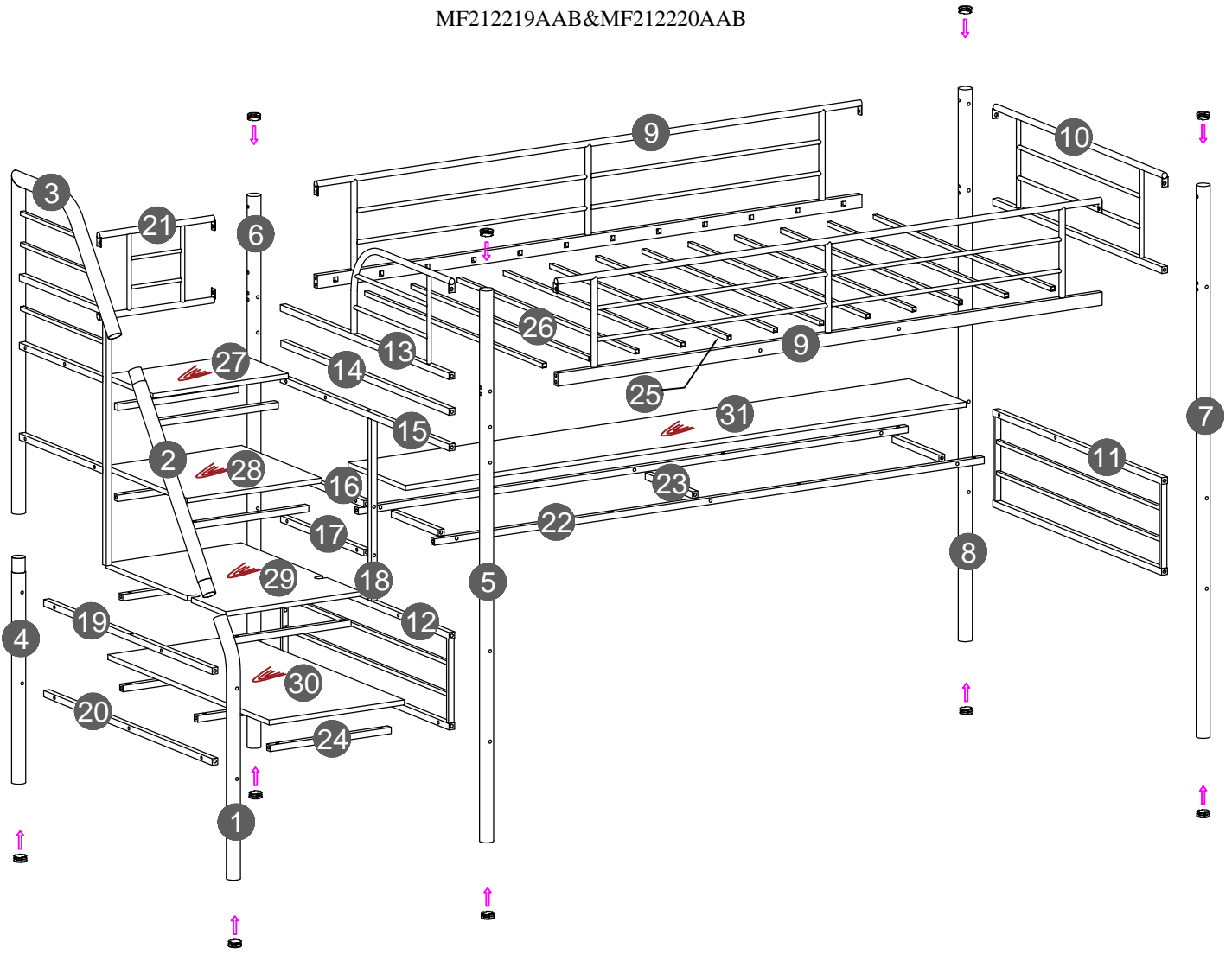
PART LIST-MF212219AAB

				
vertical bar - 1pc	vertical bar - 1pc	vertical bar - 1pc	vertical bar - 1pc	vertical bar - 1pc
				
vertical bar - 2pcs	horizontal bar - 1pc	horizontal bar - 1pc	horizontal bar - 1pc	horizontal bar - 1pc
				
horizontal long bar - 2pcs	guard bar - 2pcs		wooden table panel - 1pc	

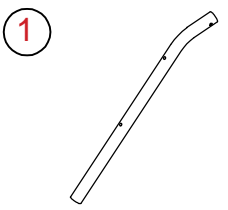
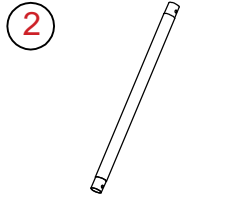
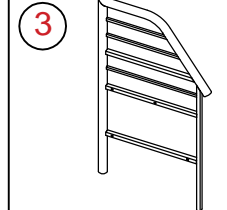
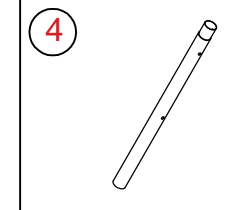
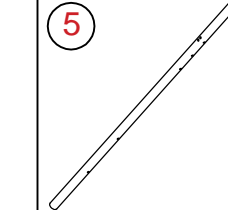
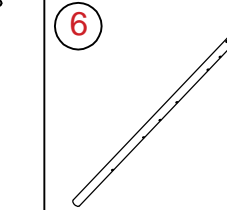
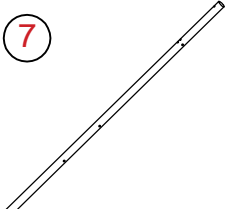
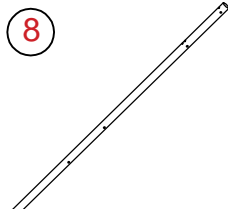
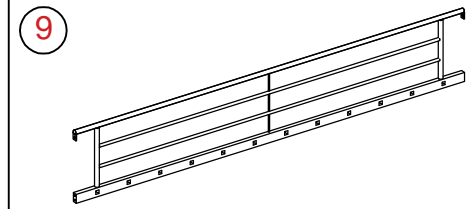
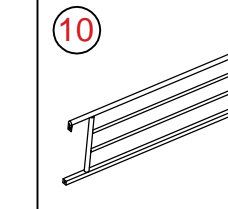
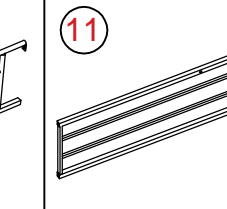
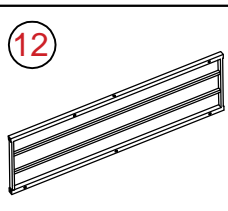
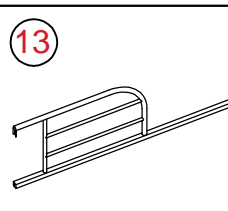
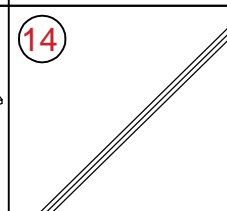
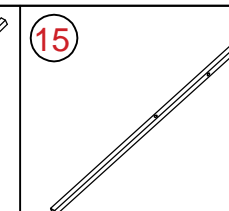
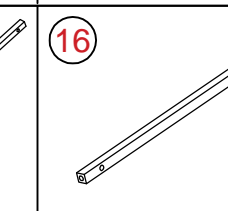
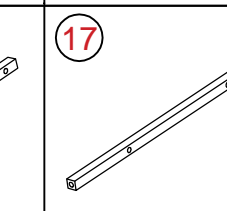
PART LIST-MF212220AAB

				
hand rail - 1pc	headboard - 1pc	headboard - 1pc	footboard - 1pc	footboard - 1pc
				
horizontal bar - 1pc	horizontal bar - 1pc	vertical bar - 1pc	guard handrail - 1pc	horizontal short bar - 3pcs
				
horizontal bar - 9pcs	slat - 2pcs	slat - 10pcs	wooden shelf panel - 1pc	wooden shelf panel - 1pc
				
wooden shelf panel - 1pc		wooden shelf panel - 1pc		

LOFT BED
 ASSEMBLY INSTRUCTIONS
 MF212219AAB&MF212220AAB


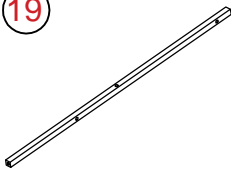
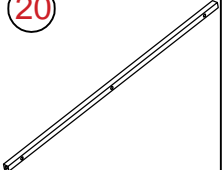
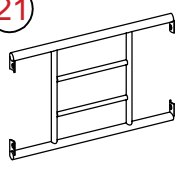
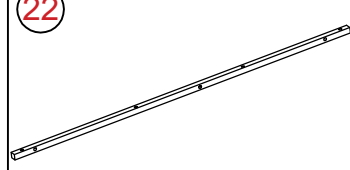
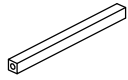
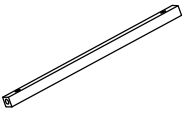
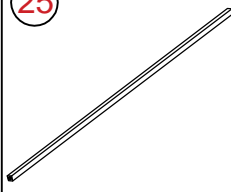
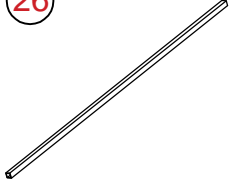

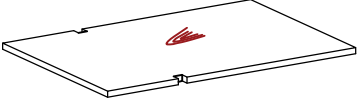
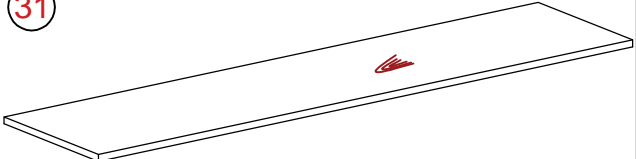


PART LIST

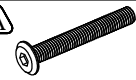
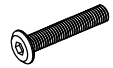
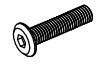

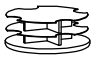


					
vertical bar - 1pc	vertical bar - 1pc	hand rail - 1pc	vertical bar - 1pc	vertical bar - 1pc	vertical bar - 1pc
					
vertical bar - 1pc	vertical bar - 1pc	guard bar - 2pcs		headboard - 1pc	headboard - 1pc
					
footboard - 1pc	footboard - 1pc	horizontal bar - 1pc	horizontal bar - 1pc	horizontal bar - 1pc	horizontal bar - 1pc

LOFT BED
ASSEMBLY INSTRUCTIONS
MF212219AAB&MF212220AAB

PART LIST

18		19		20		21		22		23	
vertical bar - 1pc		horizontal bar - 1pc		horizontal bar - 1pc		guard handrail - 1pc		horizontal long bar - 2pcs		horizontal short bar - 3pcs	
24		25		26		27		28			
horizontal bar - 9pcs		slat - 2pcs		slat - 10pcs		wooden shelf panel - 1pc					
29			30								
wooden shelf panel - 1pc			wooden shelf panel - 1pc			wooden table panel - 1pc					

HARDWARE LIST - MF212219AAB

A		B		C		D	
Ø1/4"*60mm		Ø1/4"*40mm		Ø1/4"*28mm		Ø1/4"*15mm	
Bolts - 30pcs		Bolts - 33pcs		Bolts - 26pcs		Bolts - 18pcs	
E		F		H			
Ø42x10mm		Ø33x10mm		4*58mm			
Pipe plug - 8pcs		Pipe plug - 2pcs		Allen key - 1pc			

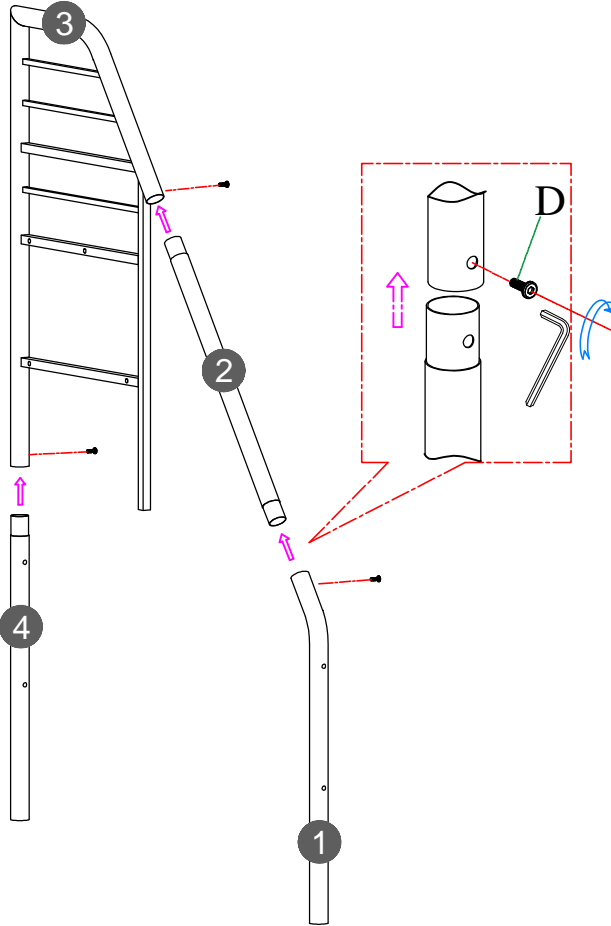
SAFETY WARNINGS AND GENERAL NOTES :

- *Follow the information on the warnings on the bunk bed end structure and on the carton.
Do not remove the warning label from the bed.
 - *Always use the recommended size mattress on mattress support, or both, to help prevent the likelihood of entrapment or falls.
 - *The top surface of the mattress must be at least 5" (127mm) below the upper edge of the guardrail.
 - *Do not allow children under 6 years of age to use the upper bunk.
 - *Periodically check and ensure the guardrail, ladder and other components are in their proper position, free from damage, and all connectors are tight.
 - *Prohibit horseplay on or under beds. Always prohibit jumping on the bed.
 - *Prohibit more than one person on upper bunk.
 - *Always use the ladder for entering and leaving the upper bunk.
 - *Do not use substitute parts. Contact the manufacturer or dealer for replacement parts.
 - *Use of a night-tight may provide added safety precaution for a child using the upper bunk.
 - *Always use guardrails on both long sides of the upper bunk.
 - *If the bunk bed will be placed next to a wall, the guardrail that runs the full length of the bed should be placed against the wall to prevent entrapment between the bed and the wall.
 - *The use of water or sleep flotation mattresses is prohibited.
 - *Keep these instructions for future reference.
 - *We recommend assembling your bunk bed on the shipping carton to protect your floor or carpet. Be certain all staples are out of the box before beginning assembly on the shipping carton.
- STRANGULATION HAZARD** - Never attach or hang items to any part of the bunk bed that are not designed for use with the bed; for example, but not limited to, hooks, belts, and jumping ropes.
- This set is included 2 boxes if don't receive full 2 boxes please contact our customer service team.

LOFT BED
 ASSEMBLY INSTRUCTIONS
 MF212219AAB&MF212220AAB

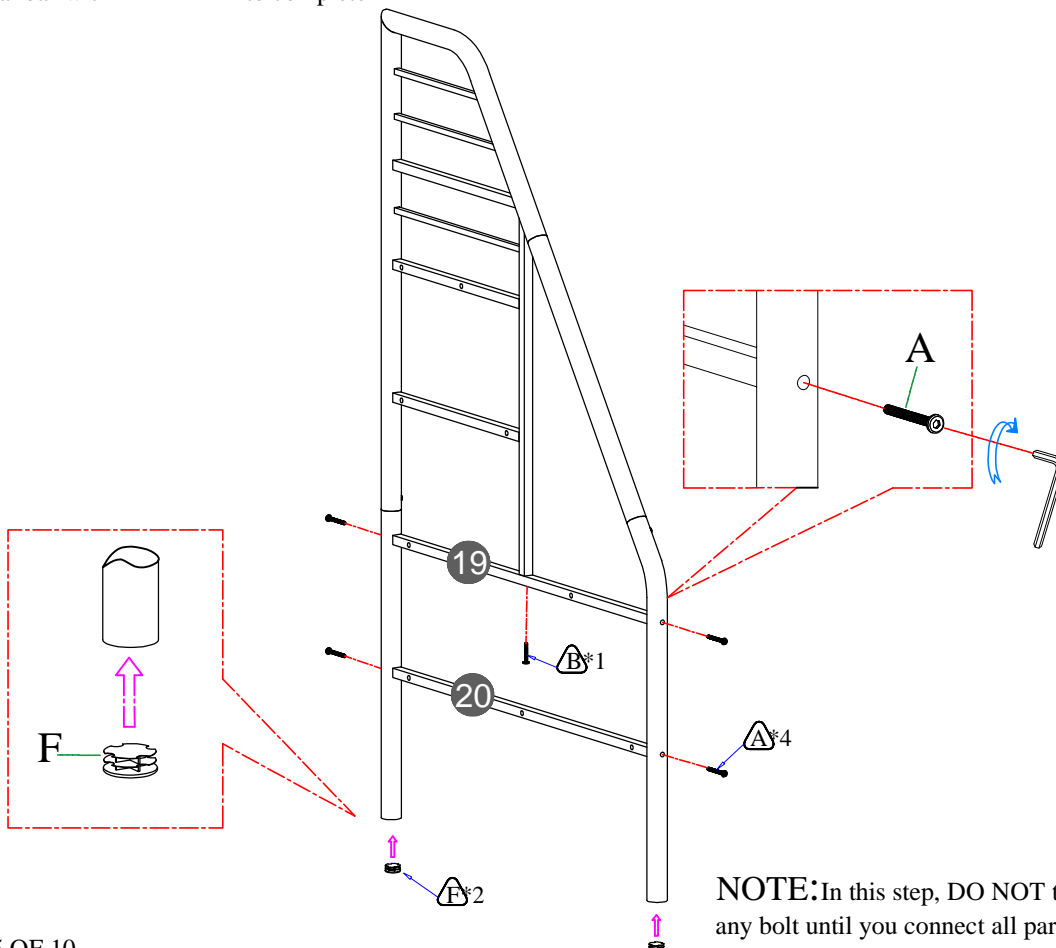
STEP 1: Following below illustration Assembly FRAME #1.

Using hardware #D connect #1, #2, #4 vertical bar with #3 hard rail to complete FRAME #1



NOTE: In this step, DO NOT tighten any bolt until you connect all part together

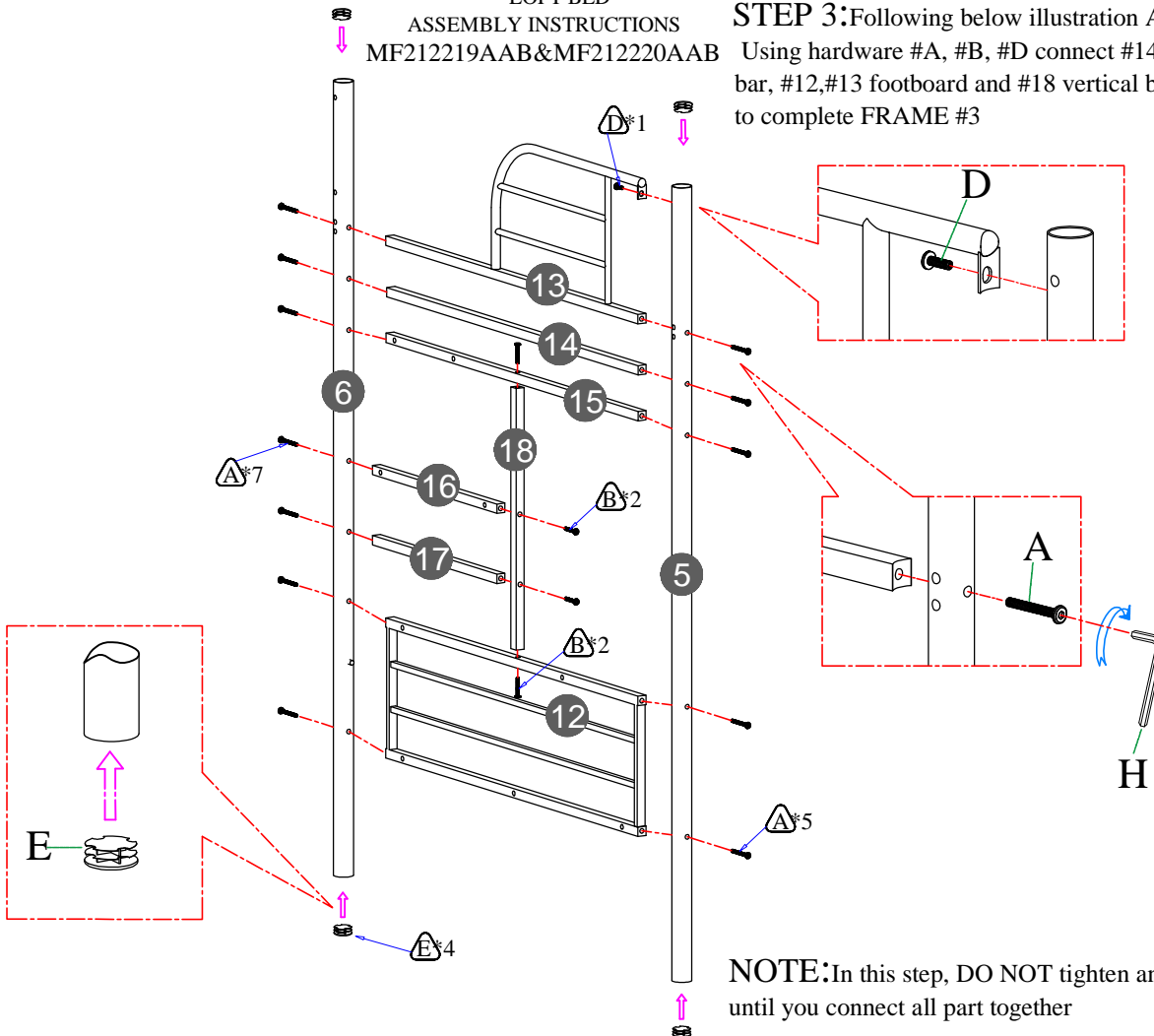
STEP 2: Following below illustration Assembly FRAME #2. Using hardware #A, #B connect #19, #20 horizontal bar with FRAME #1 to complete FRAME #2

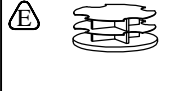
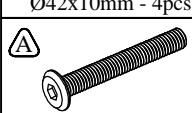
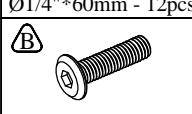
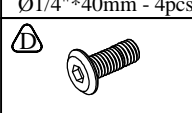
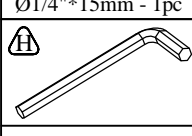


NOTE: In this step, DO NOT tighten any bolt until you connect all part together

LOFT BED
ASSEMBLY INSTRUCTIONS
MF212219AAB&MF212220AAB

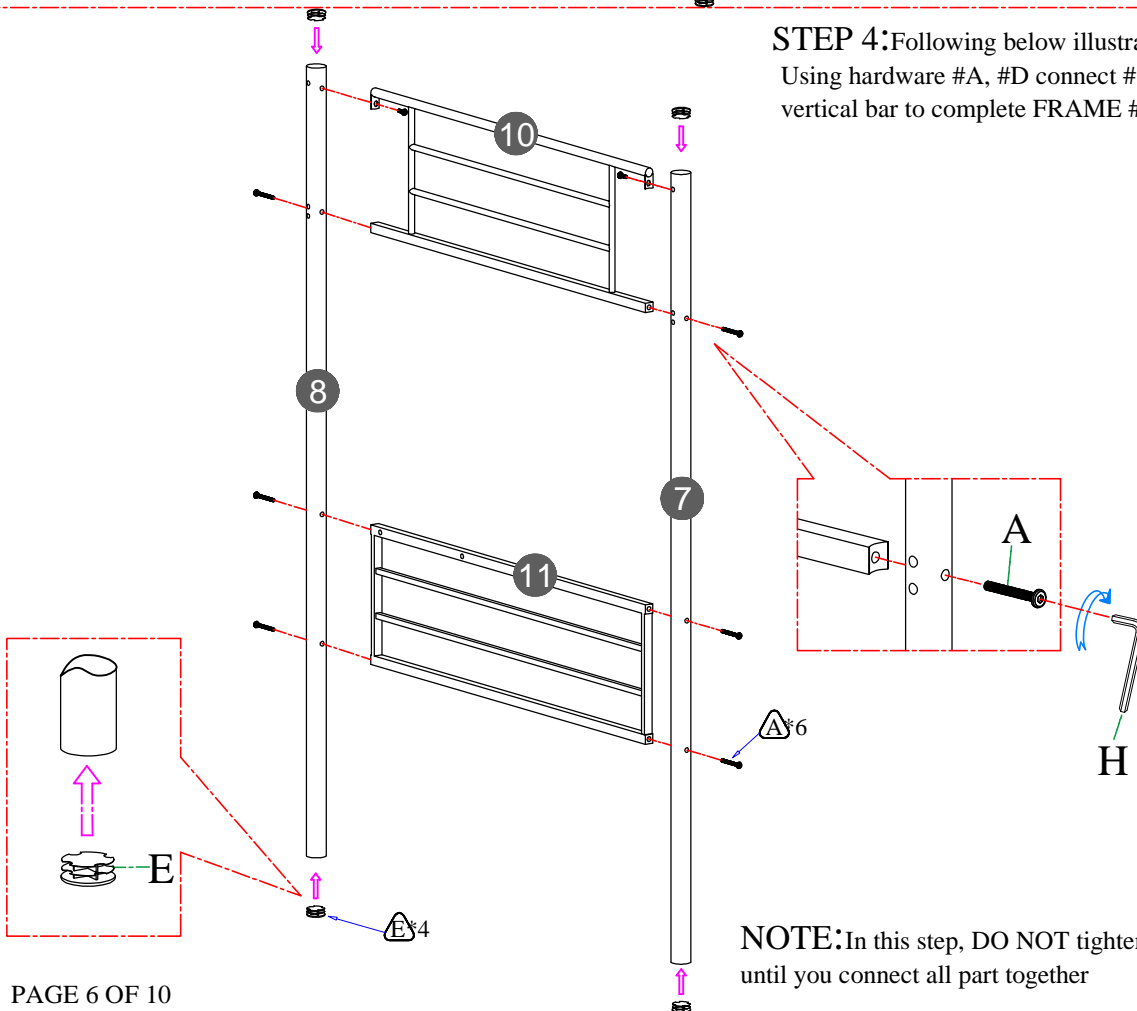
STEP 3: Following below illustration Assembly FRAME #3.
Using hardware #A, #B, #D connect #14, #15, #16, #17 horizontal bar, #12, #13 footboard and #18 vertical bar with #5, #6 vertical bar to complete FRAME #3

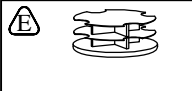
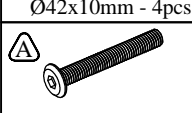
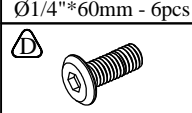
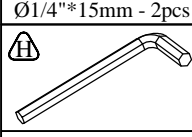


	Ø42x10mm - 4pcs
	Ø1/4"*60mm - 12pcs
	Ø1/4"*40mm - 4pcs
	Ø1/4"*15mm - 1pc
	

NOTE: In this step, DO NOT tighten any bolt until you connect all part together

STEP 4: Following below illustration Assembly FRAME #4.
Using hardware #A, #D connect #10, #11 headboard with #7, #8 vertical bar to complete FRAME #4

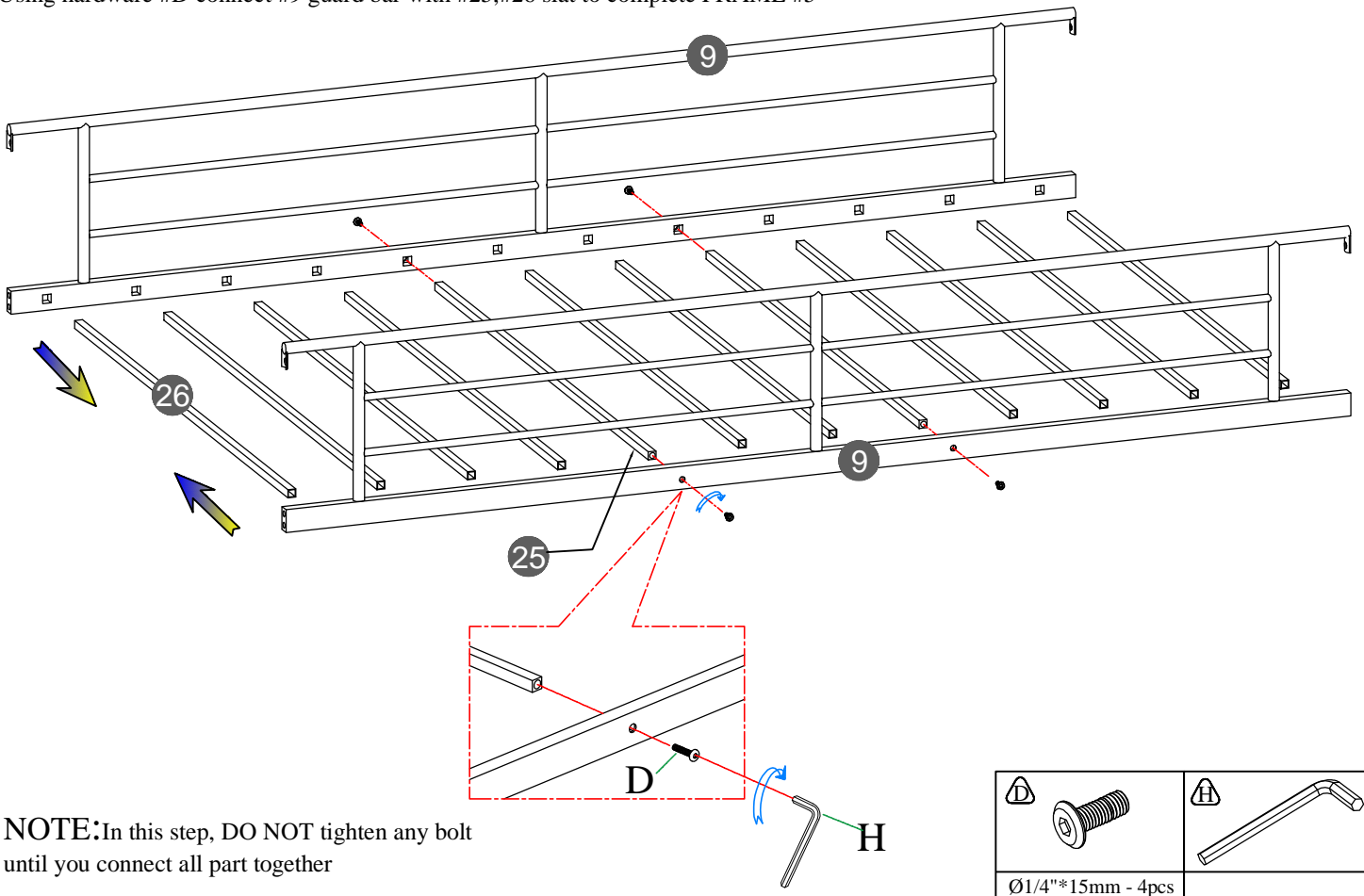


	Ø42x10mm - 4pcs
	Ø1/4"*60mm - 6pcs
	Ø1/4"*15mm - 2pcs
	

NOTE: In this step, DO NOT tighten any bolt until you connect all part together

STEP 5: Following below illustration Assembly FRAME #5.

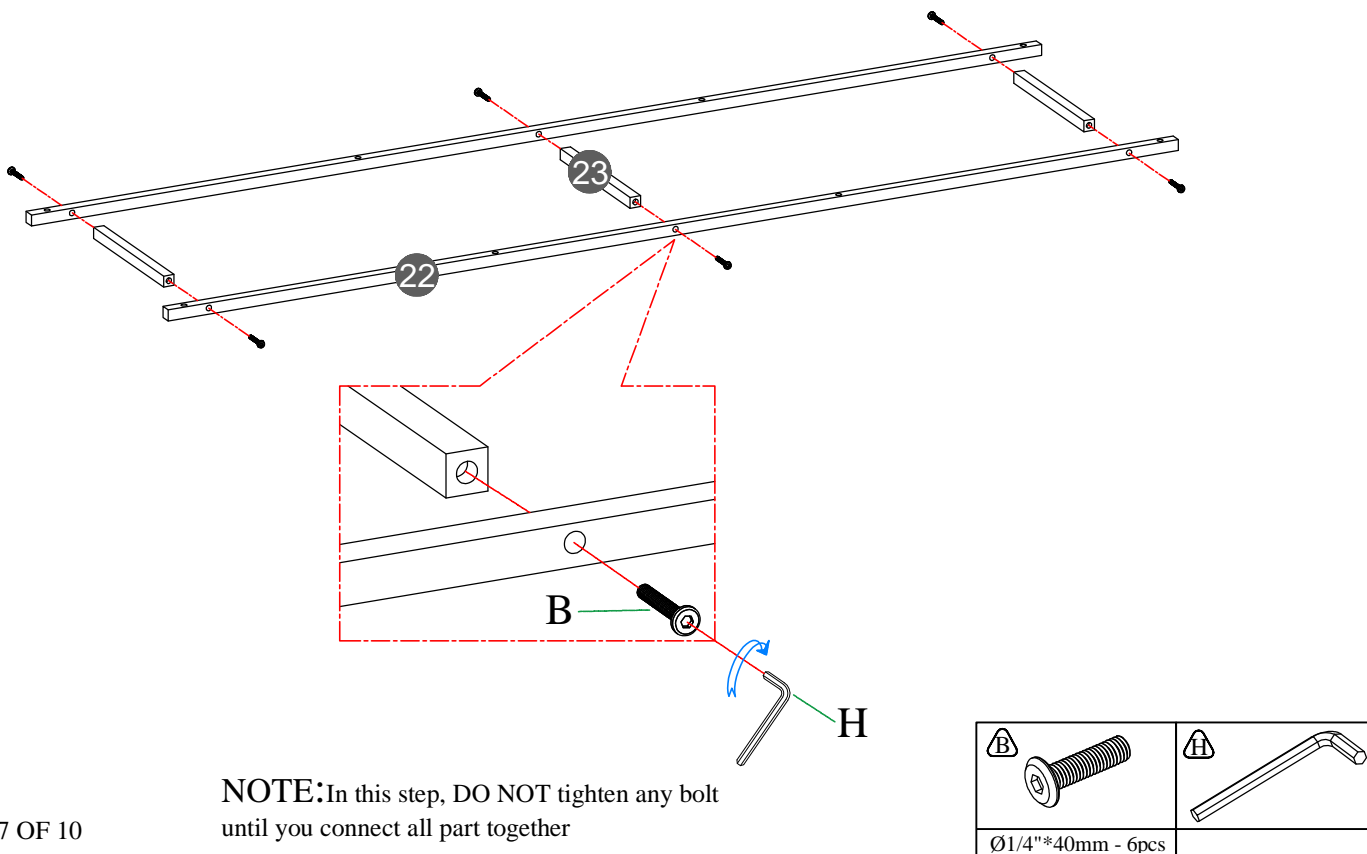
Using hardware #D connect #9 guard bar with #25, #26 slat to complete FRAME #5



NOTE: In this step, DO NOT tighten any bolt until you connect all part together

STEP 6: Following below illustration Assembly FRAME #6.

Using hardware #B connect #23 horizontal short bar with #22 horizontal long bar to complete FRAME #6

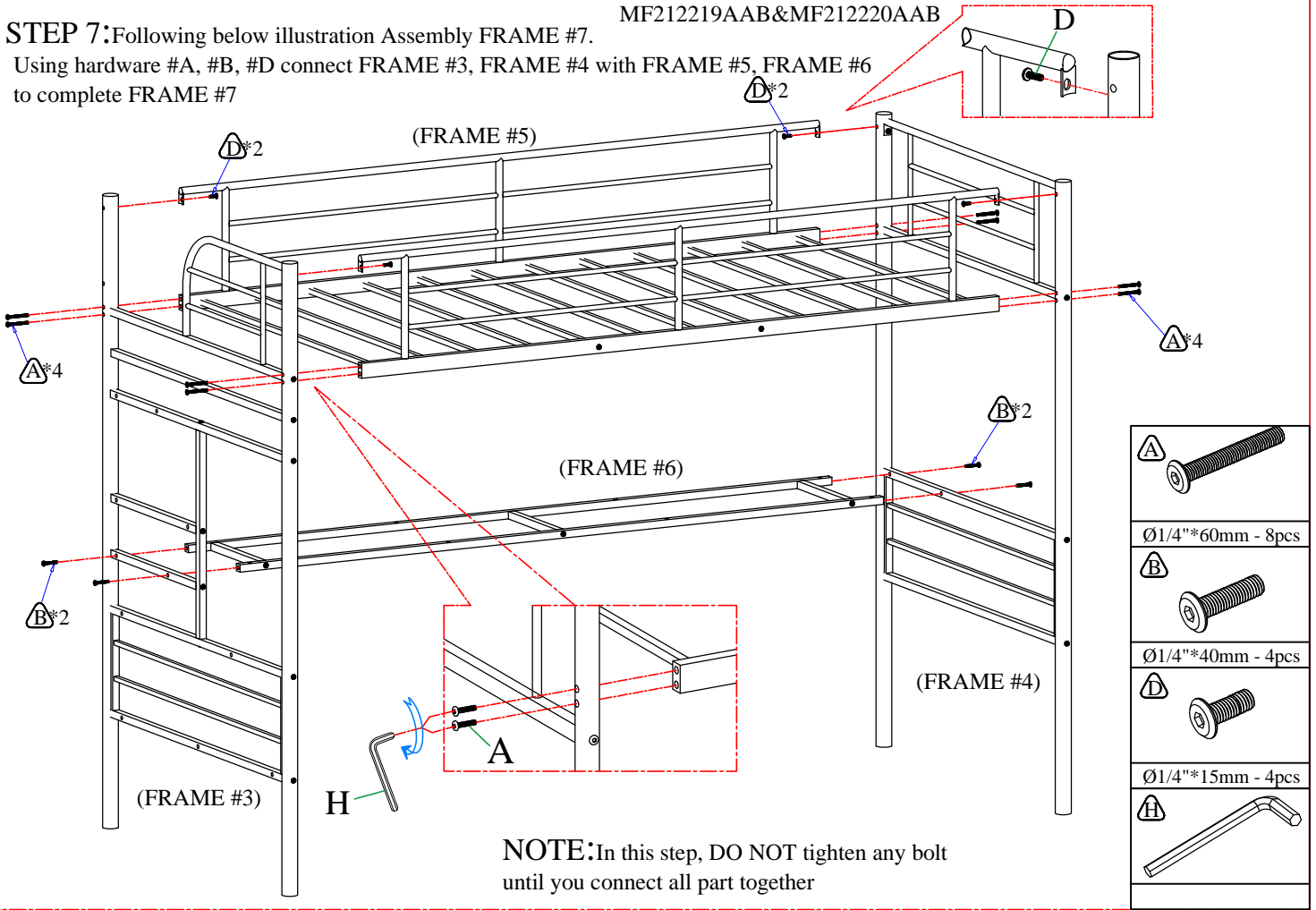


NOTE: In this step, DO NOT tighten any bolt until you connect all part together

LOFT BED
ASSEMBLY INSTRUCTIONS
MF212219AAB&MF212220AAB

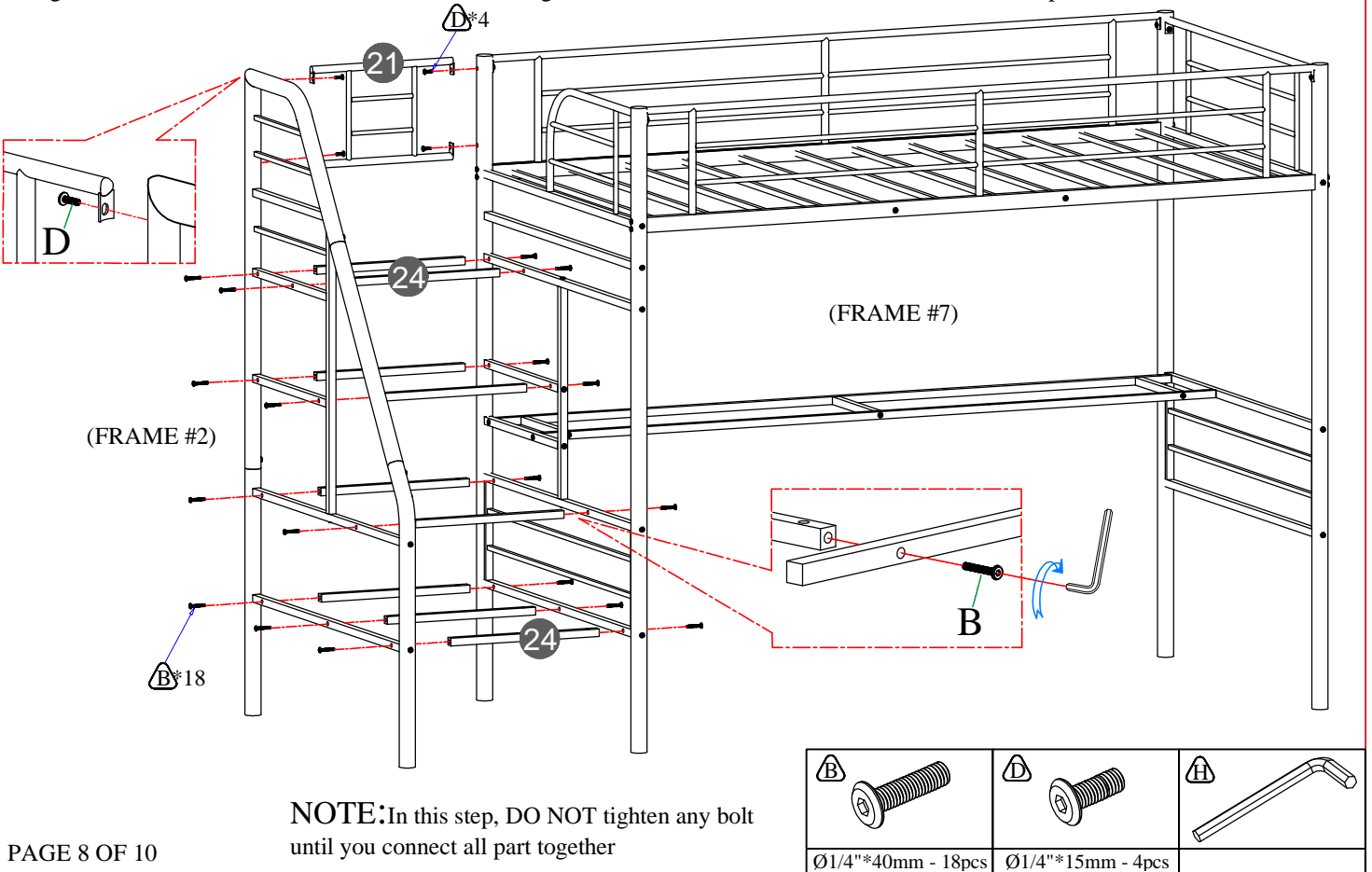
STEP 7: Following below illustration Assembly FRAME #7.

Using hardware #A, #B, #D connect FRAME #3, FRAME #4 with FRAME #5, FRAME #6 to complete FRAME #7



STEP 8: Following below illustration Assembly FRAME #8.

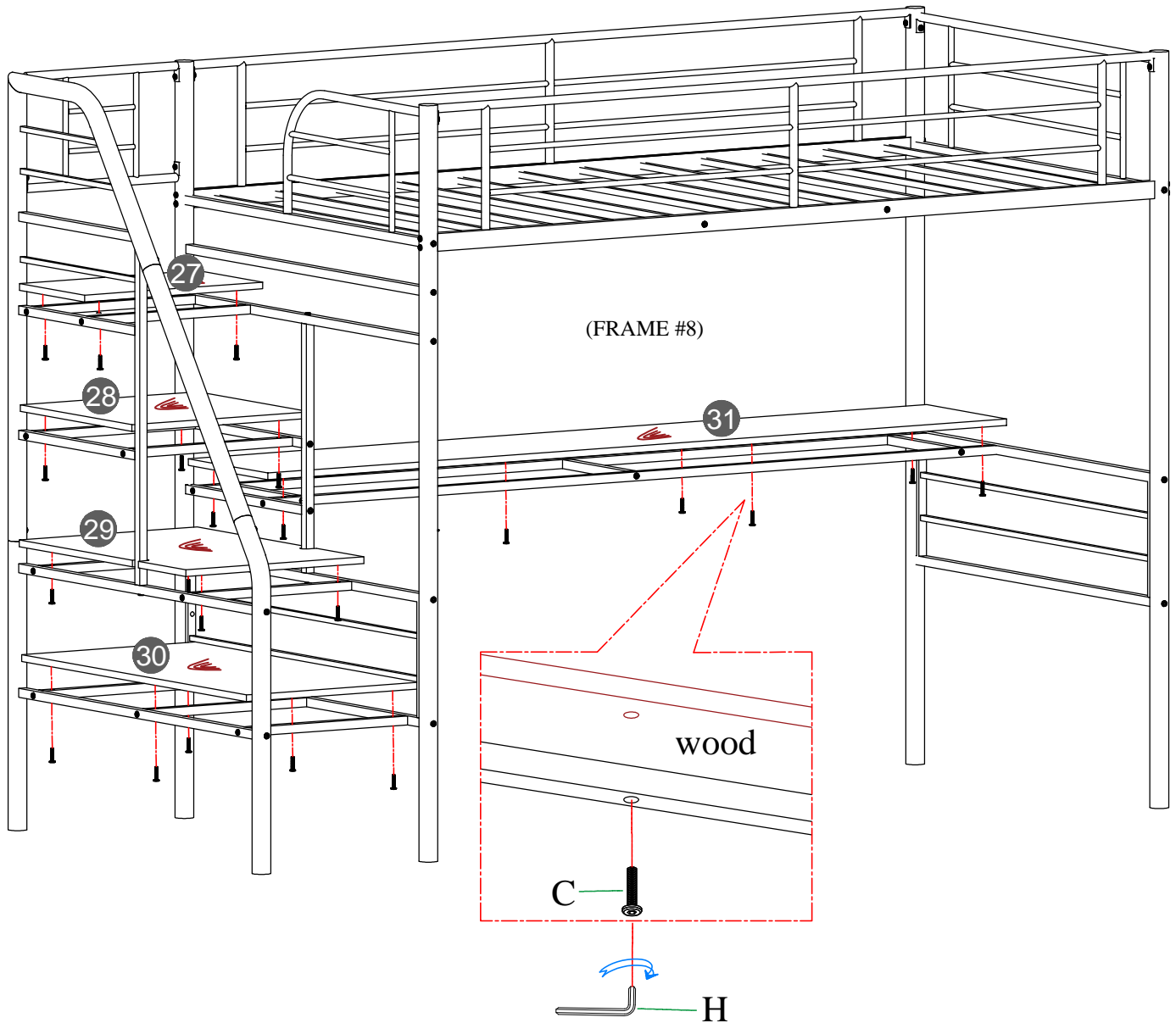
Using hardware #B, #D connect #24 horizontal bar, #21 guard handrail with FRAME #2, FRAME #7 to complete FRAME #8



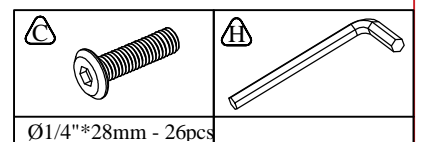
LOFT BED
ASSEMBLY INSTRUCTIONS
MF212219AAB&MF212220AAB

STEP 9: Following below illustration Assembly FRAME #9.

Using hardware #C connect #27,#28,#29,#30 wooden shelf panel and #31 wooden table panel with FRAME #8 to complete FRAME #9



NOTE: Tighten all step before using. Thank you



LOFT BED
ASSEMBLY INSTRUCTIONS
MF212219AAB&MF212220AAB

COMPLETED LOFT BED

