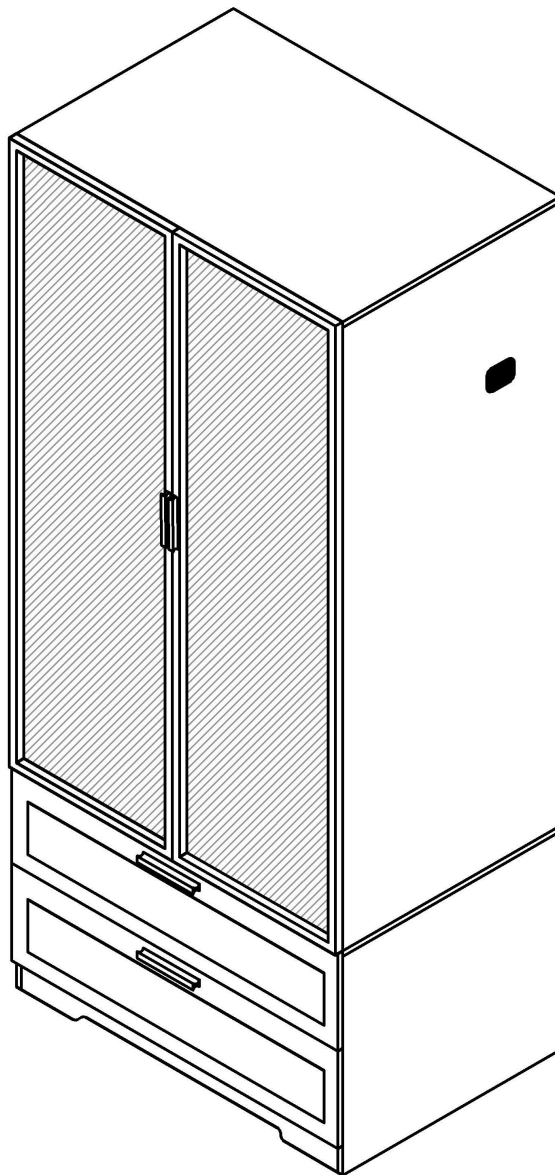
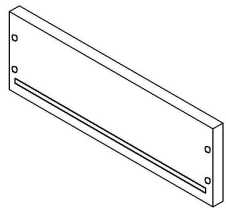
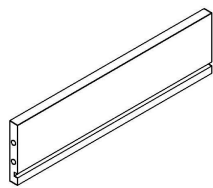


# Product Installation Instructions

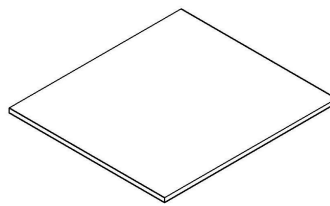




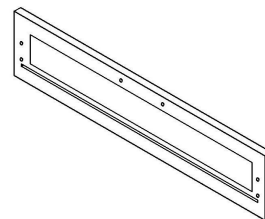
**Ax2**



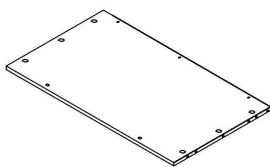
**Bx4**



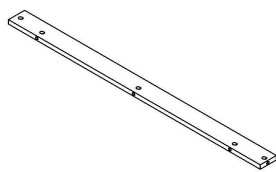
**Cx2**



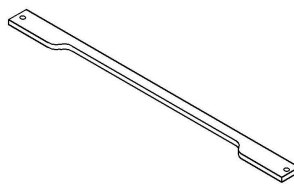
**Dx2**



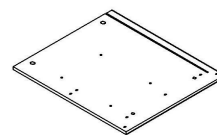
**Ex1**



**Fx1**



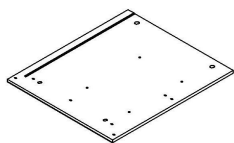
**Gx1**



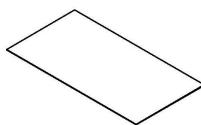
**Hx1**



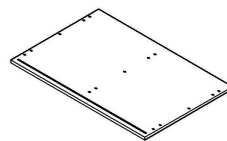
**Ix1**



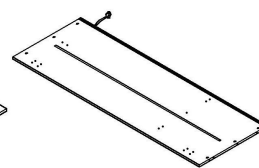
**Jx1**



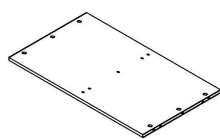
**Kx1**



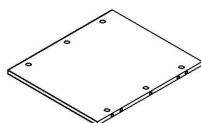
**Lx1**



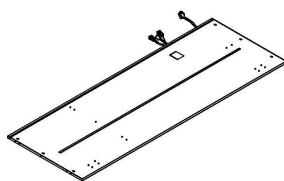
**Mx1**



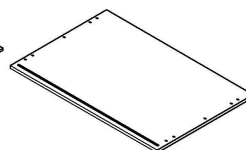
**Nx1**



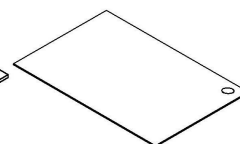
**Ox1**



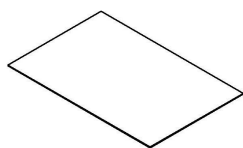
**Px1**



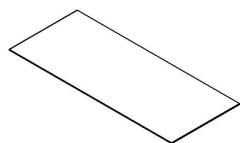
**Qx1**



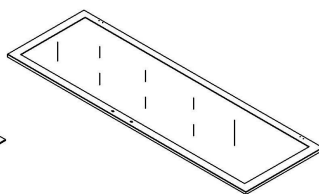
**R1x1**



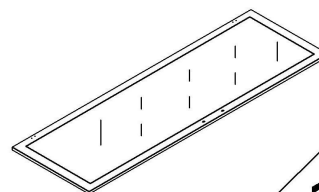
**R2x1**



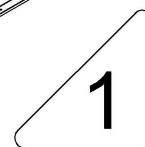
**Sx1**



**Tx1**

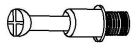

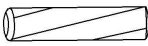
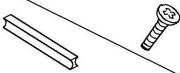
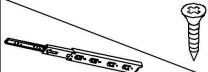



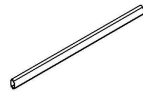




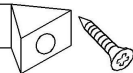
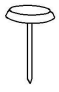
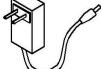
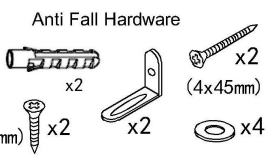



**Ux1**

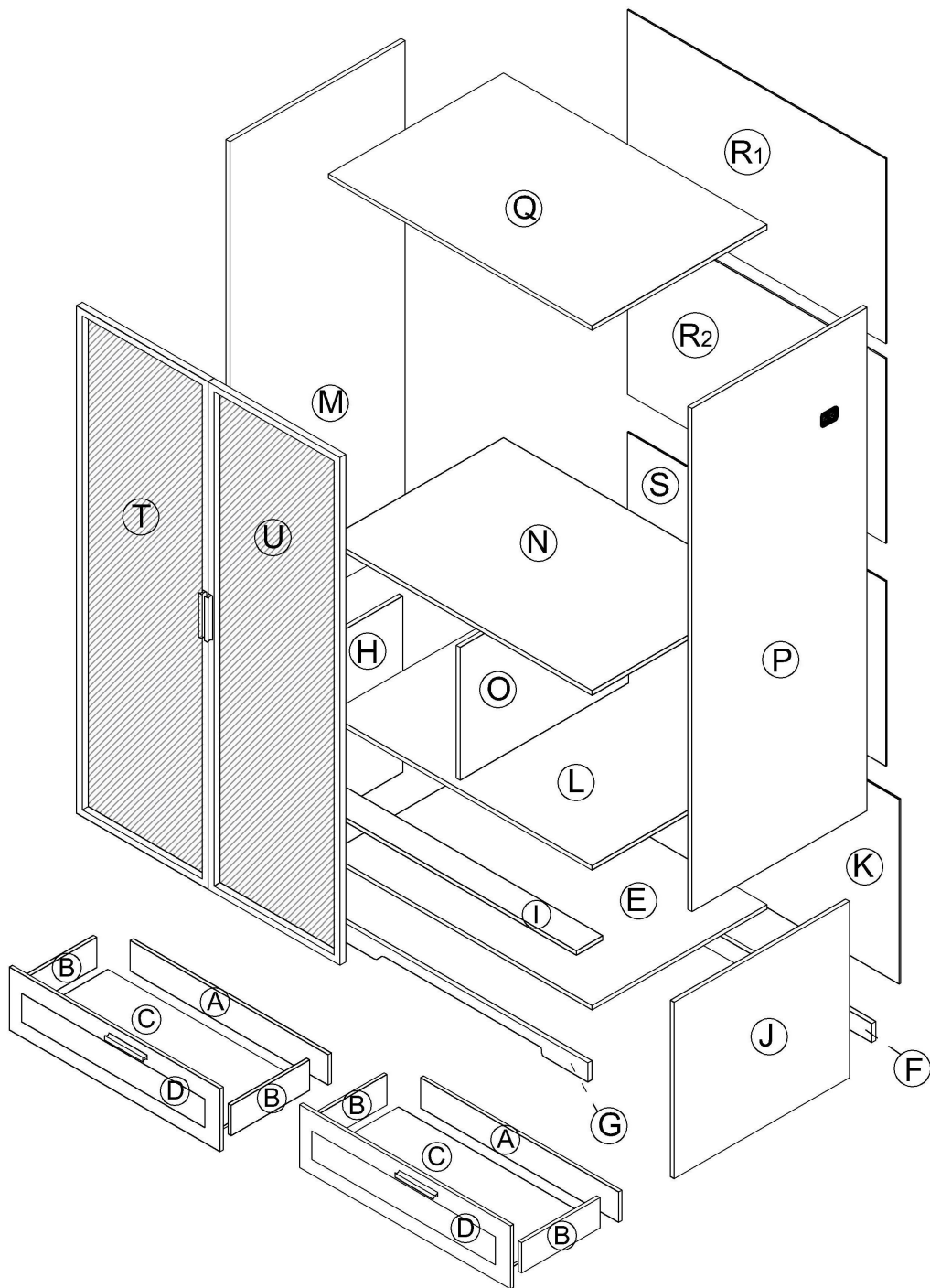


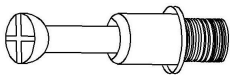
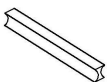



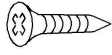
**1**

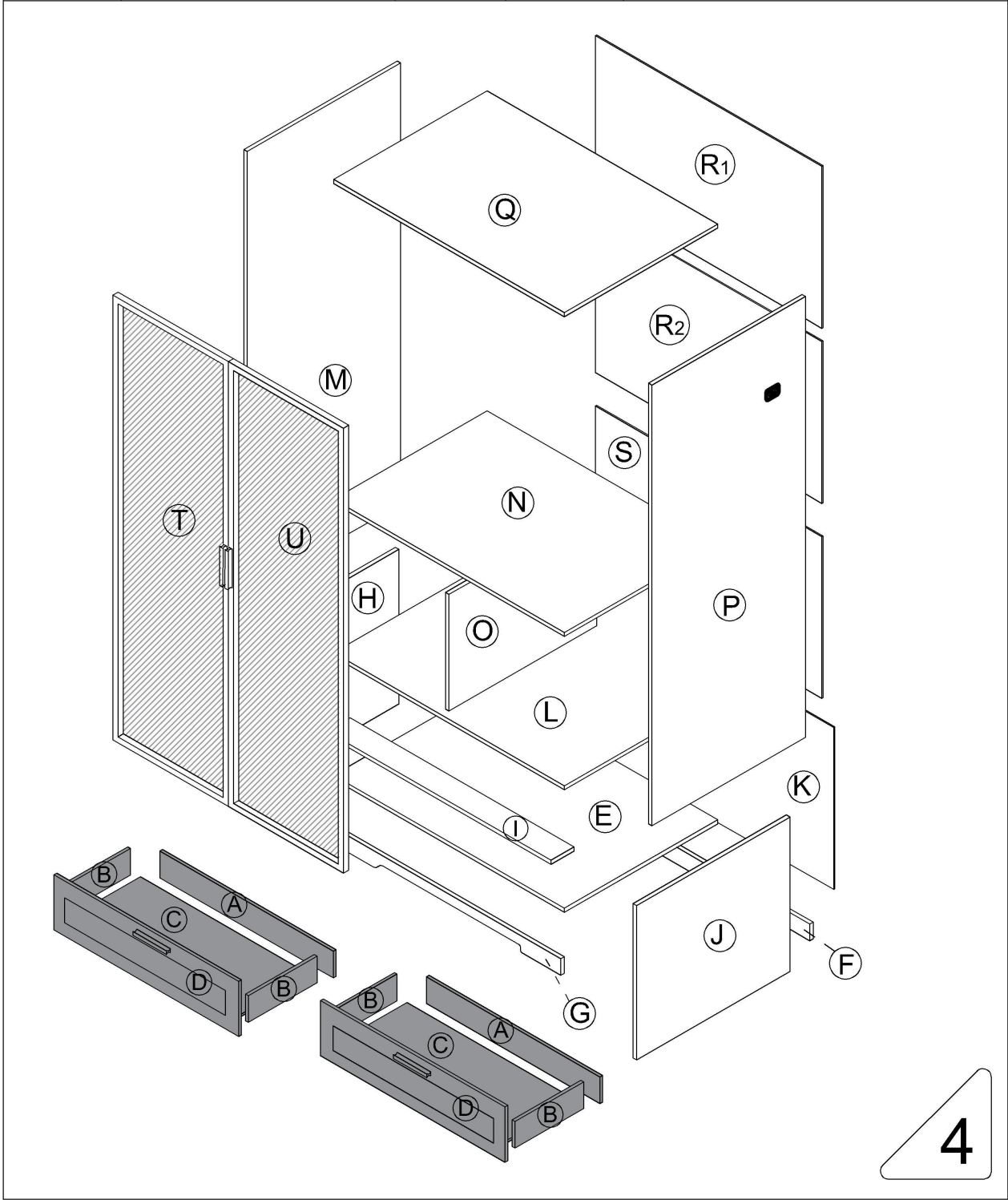
# Accessories list

①		Two In One Screw (6x28mm)	61pcs +4pcs
②		Two In One Nut (10x12mm)	61pcs +4pcs
③		Wood Chipping (6x30mm)	26pcs +4pcs
④		Handle & screw (4x16mm)	2pcs / 4pcs +1pcs
⑤		Guide & Screw (3x12mm)	4pcs / 20pcs +4pcs
⑥		Clothing Rod Hooks & Screw (3.5x12mm)	2pcs / 4pcs +1pcs
⑦		Non-slip pads	5pcs +1pcs
⑧		Backboard card strip	1pcs
⑨		Clothing Rod	1pcs
⑩		Hinge & Screw (4x10mm)	4pcs / 8pcs
⑪		Screw (3.5x12mm)	16pcs +2pcs
⑫		Handle & screw (4x18mm)	2pcs / 4pcs +1pcs
⑬		Clamp	2pcs
⑭		Fixing clip & screw (3x16mm)	12pcs +2pcs
⑮		Foot nail	2pcs +2pcs
		AC/DC Adapter (12V=3.0A)	1pcs
⑯	<p>Anti Fall Hardware</p>  <p>(3.5x14mm) x2 x2 (4x45mm) x2 x4</p>	 <p>1pcs Double-head screwdriver, use as required</p>	2

# Product structure decomposition

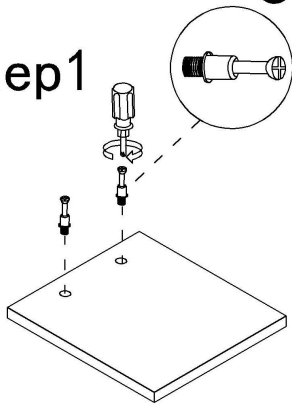


<p>1</p>		<p>16pcs</p>	<p>4</p>	 <p>2pcs</p>	 <p>4pcs</p>
<p>2</p>		<p>16pcs</p>	<p>5</p>	 <p>4pcs</p>	 <p>8pcs</p>

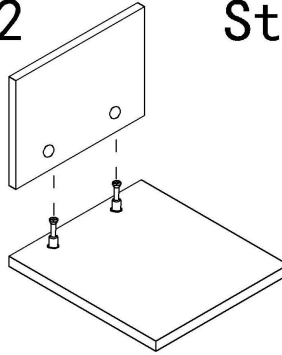


Use parts ① and ②

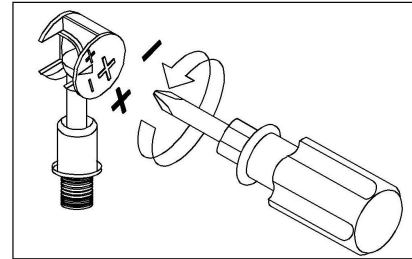
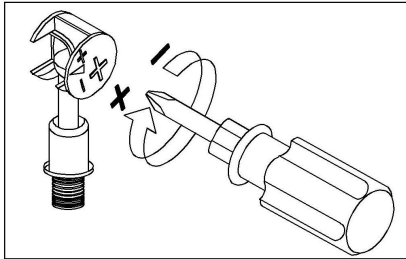
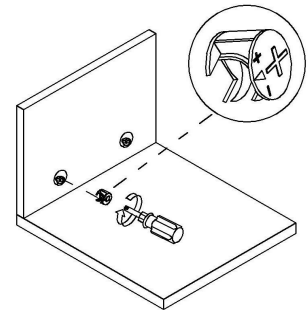
Step1



Step2



Step3



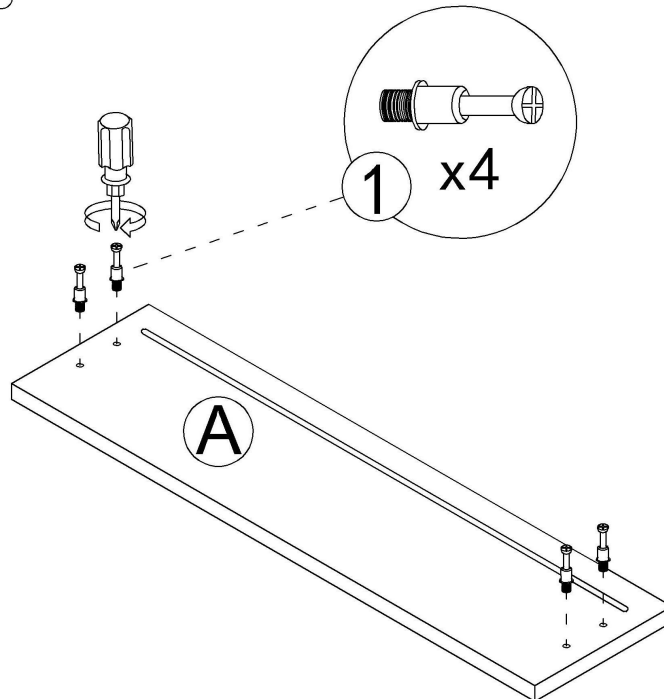
Use a screwdriver to lock in the direction of the "+" sign

Disassemble along the direction of "-" sign

Step 1

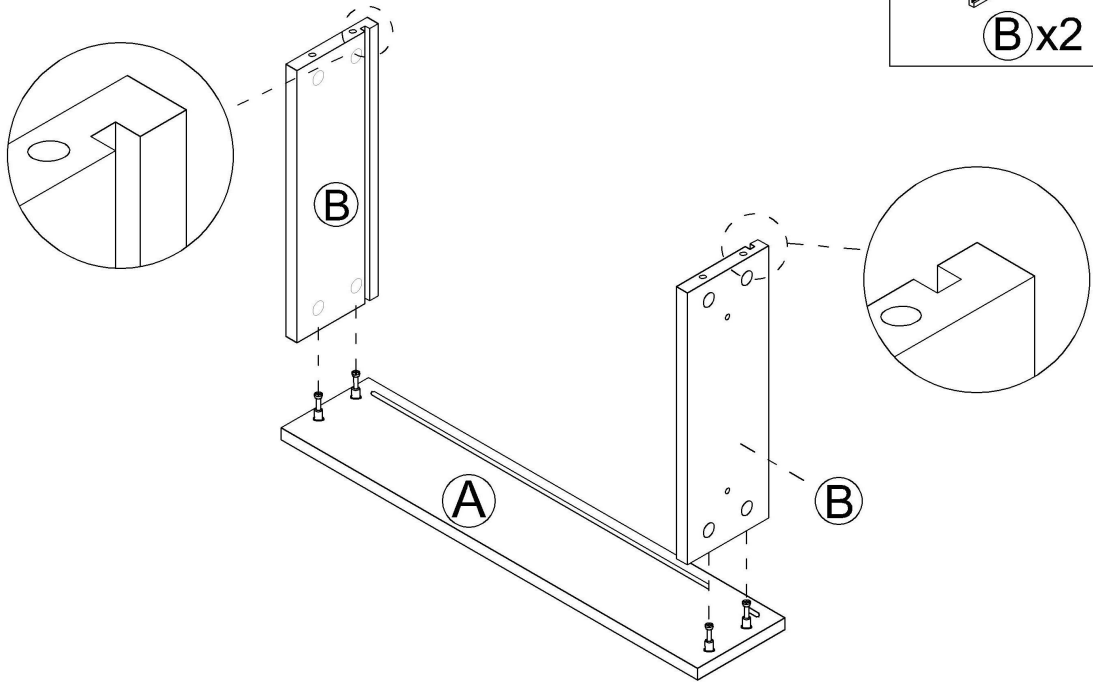
①

x4



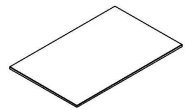
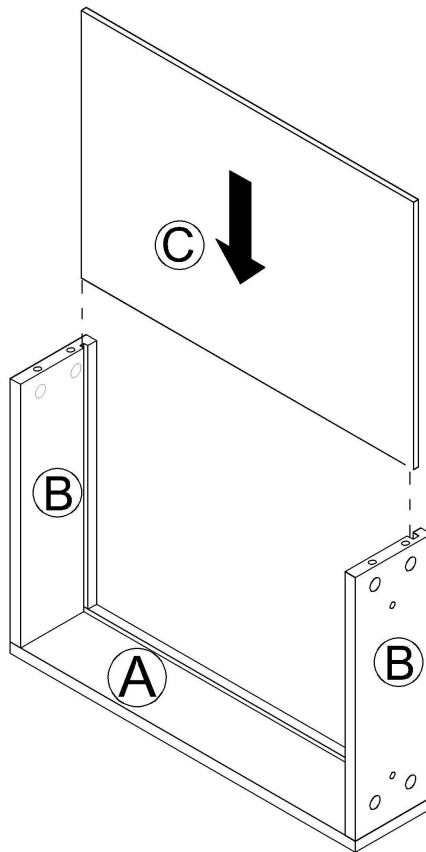
5

Step 2



**B** x2

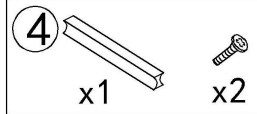
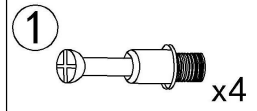
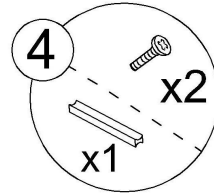
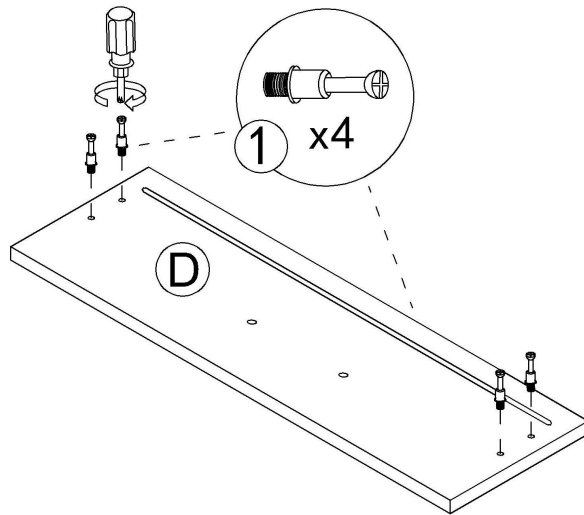
Step 3



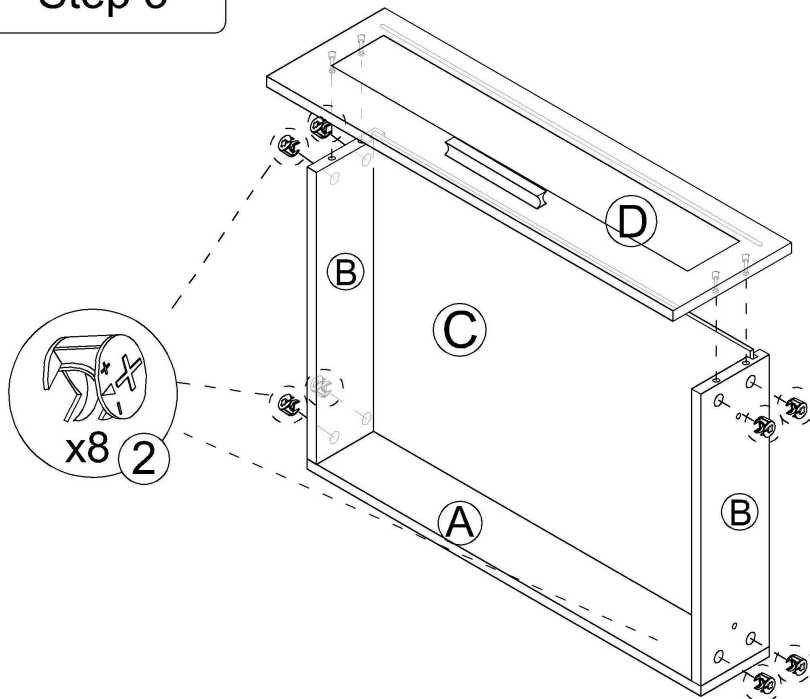
**C** x1

6

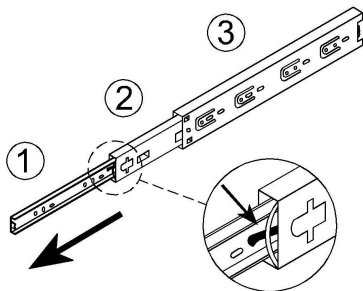
### Step 4



### Step 5

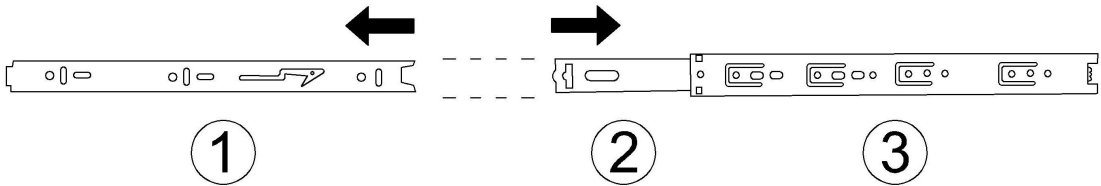
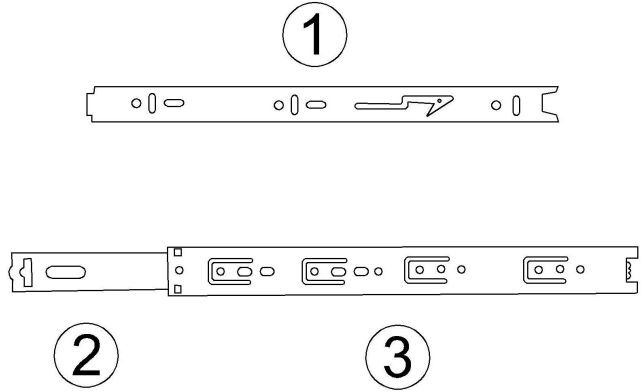


Exploded view of drawer guide rail

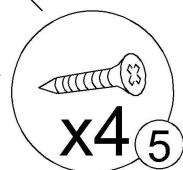
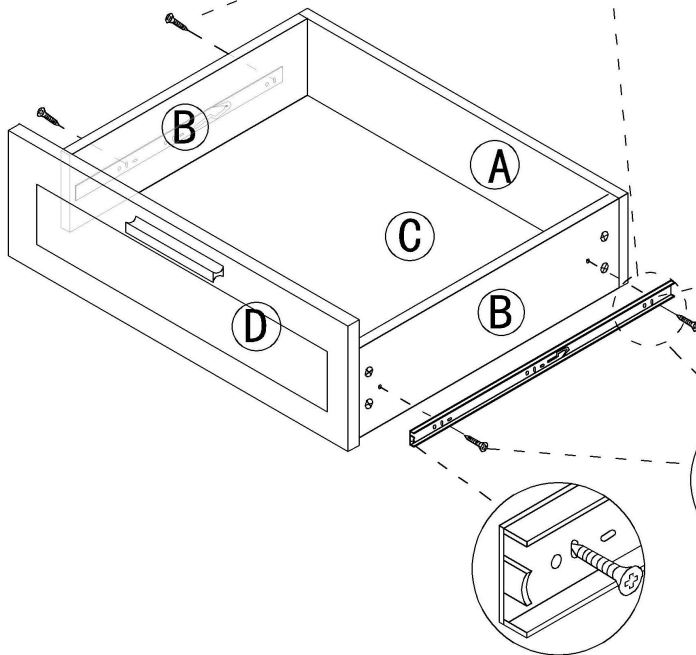
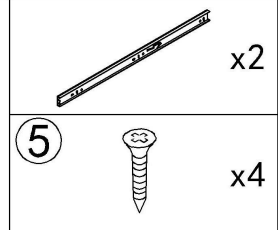
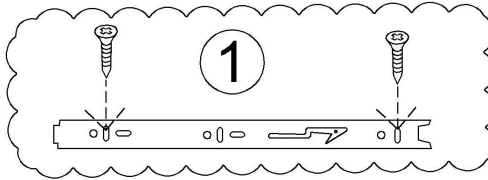


Step 1 : Pull the guide rail apart

Step 2 : Push the nylon buckle and pull outward ①

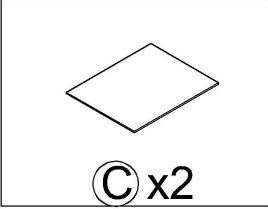
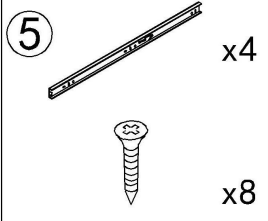
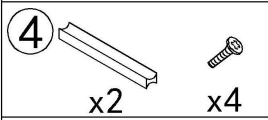
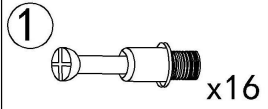
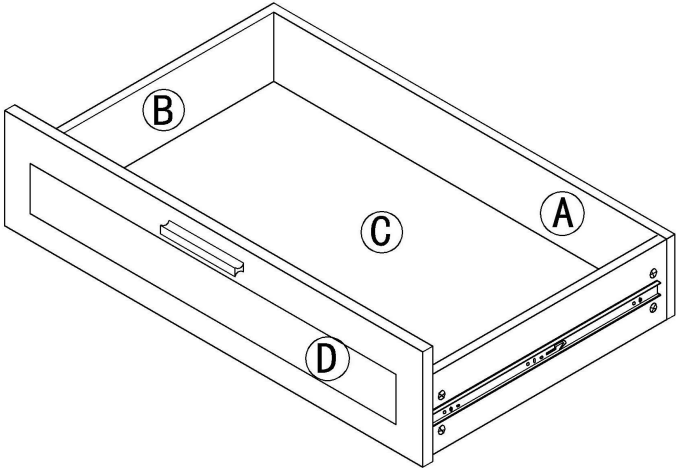


Step 6

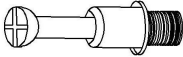
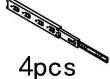










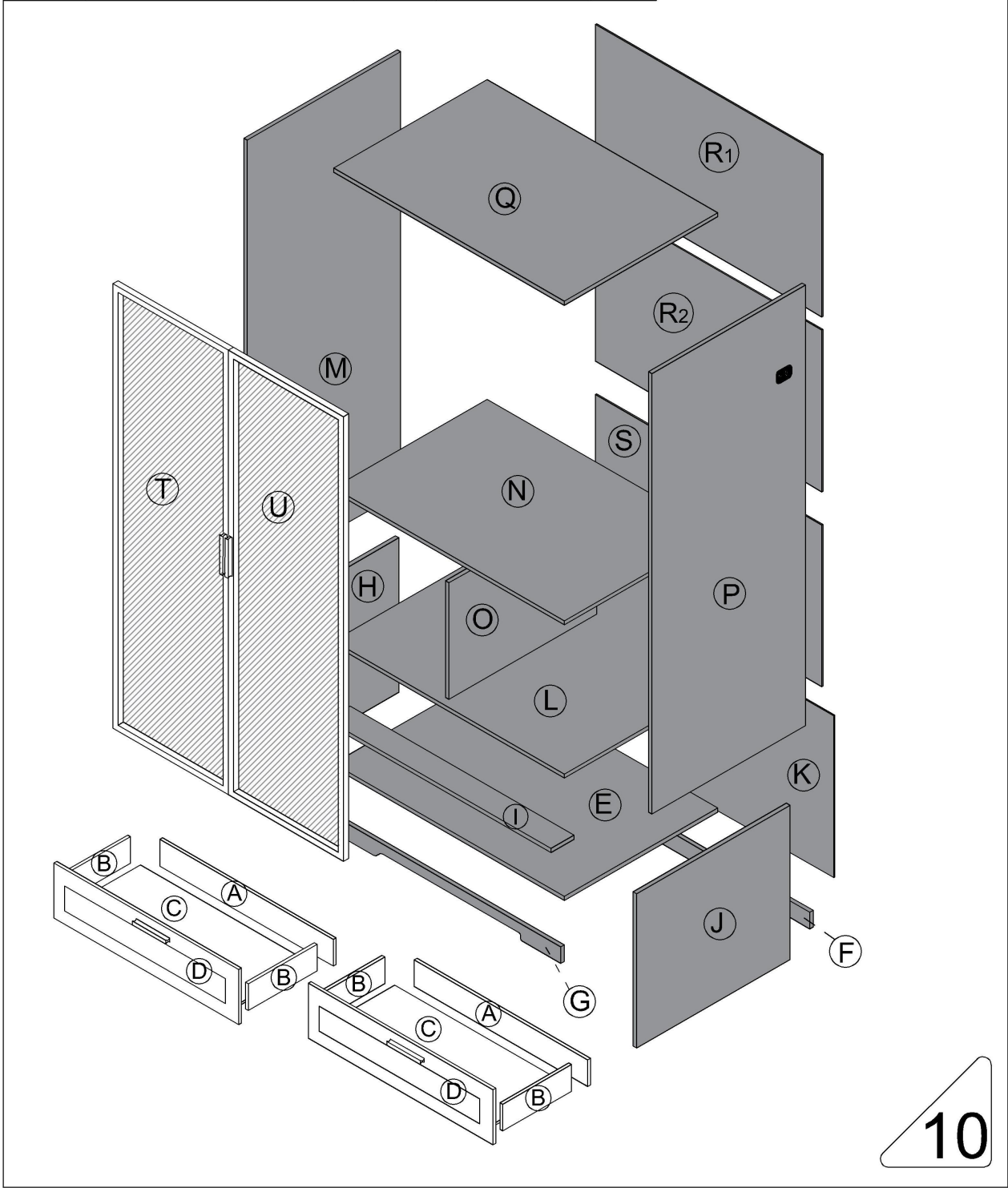
Step 7

x2

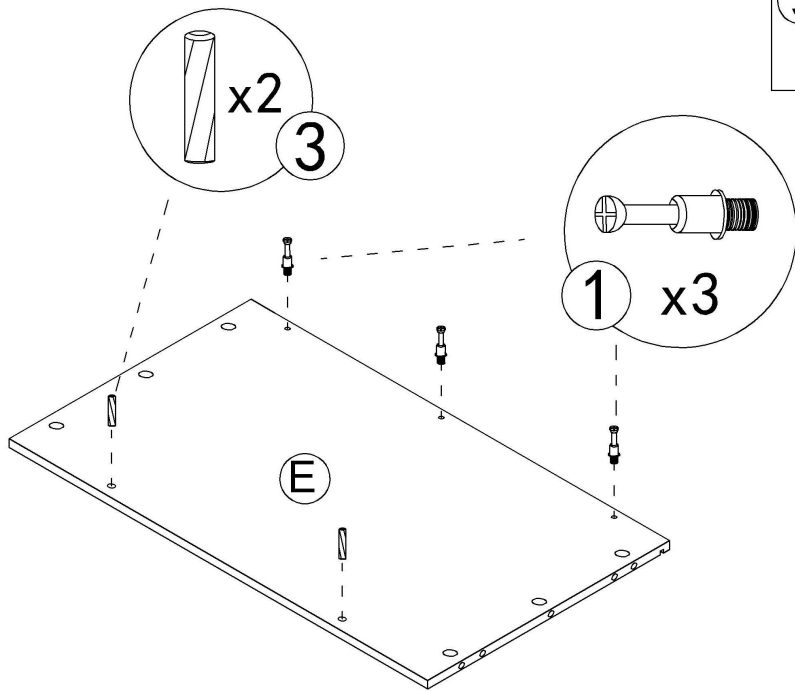


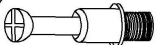

Repeat the drawer installation steps

①		45pcs	⑤	 4pcs  12pcs	⑧		1pcs
②		45pcs	⑥	 2pcs  4pcs	⑨		1pcs
③		26pcs	⑦	 5pcs			

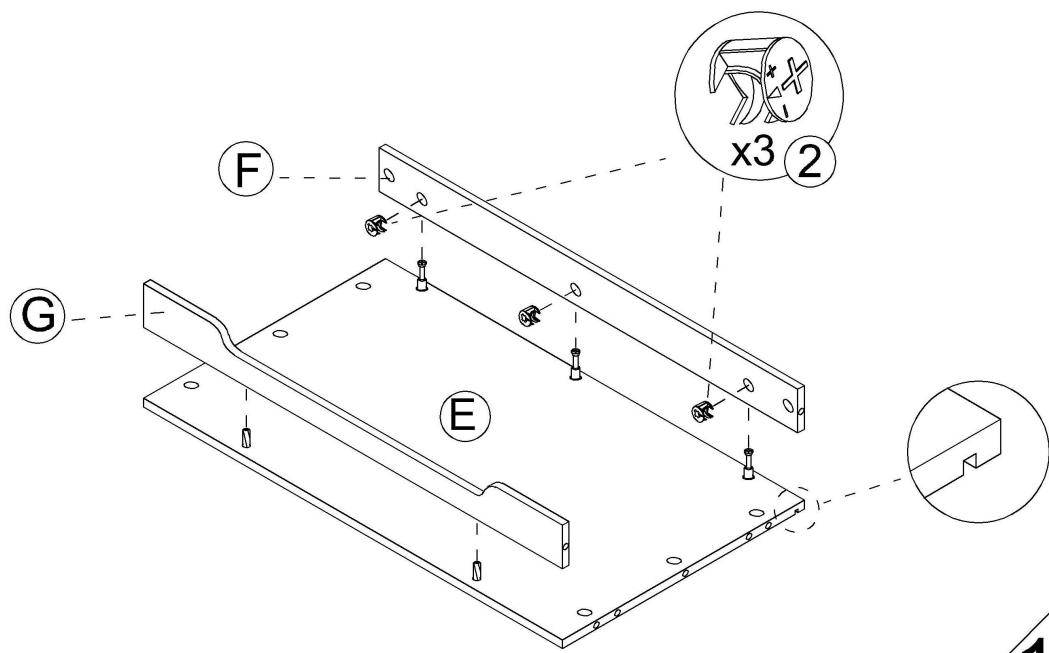


Step 8



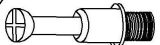


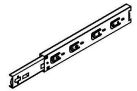
- ①  x3
- ③  x2

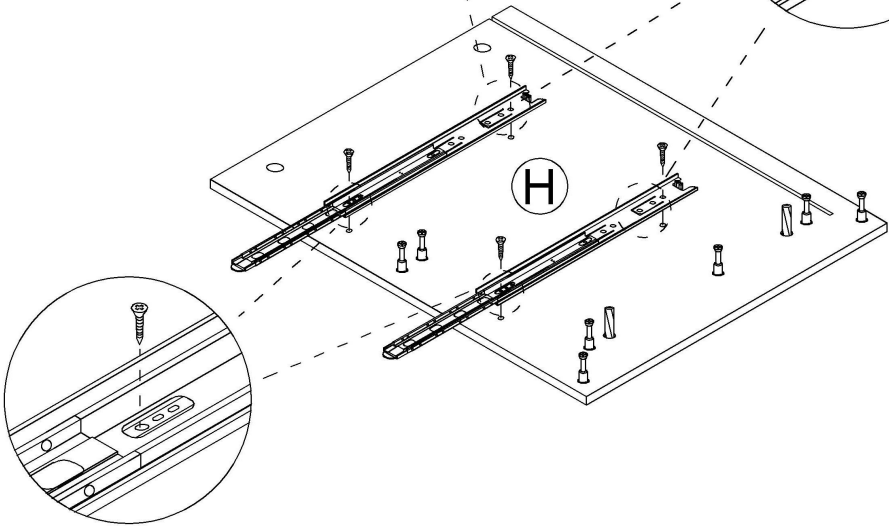
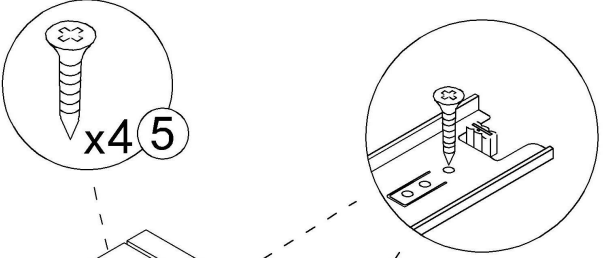
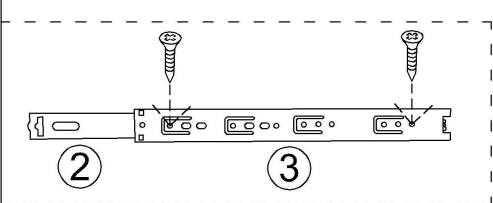
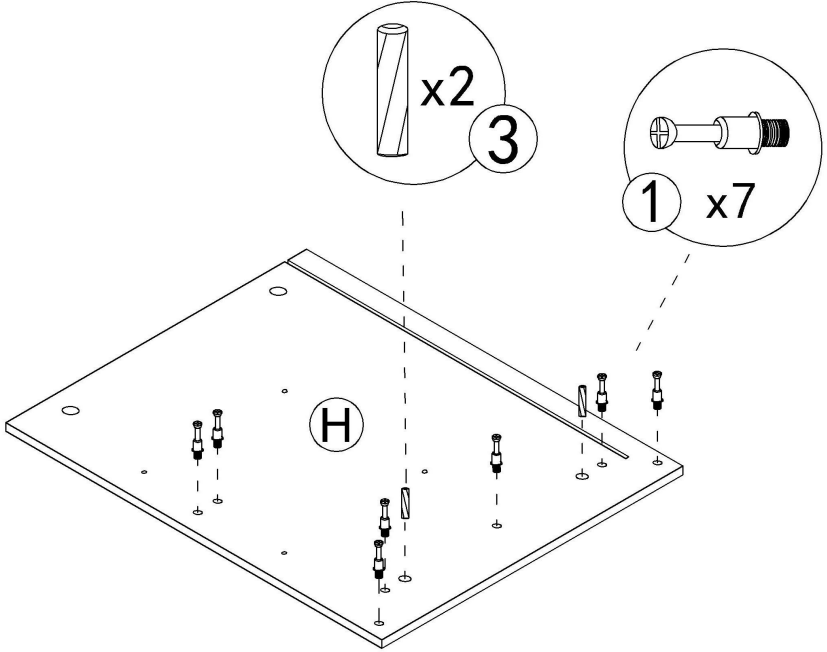
Step 9



- ②  x3

Step 10

- ①  x7
- ③  x2
- ⑤  x4  
 x2

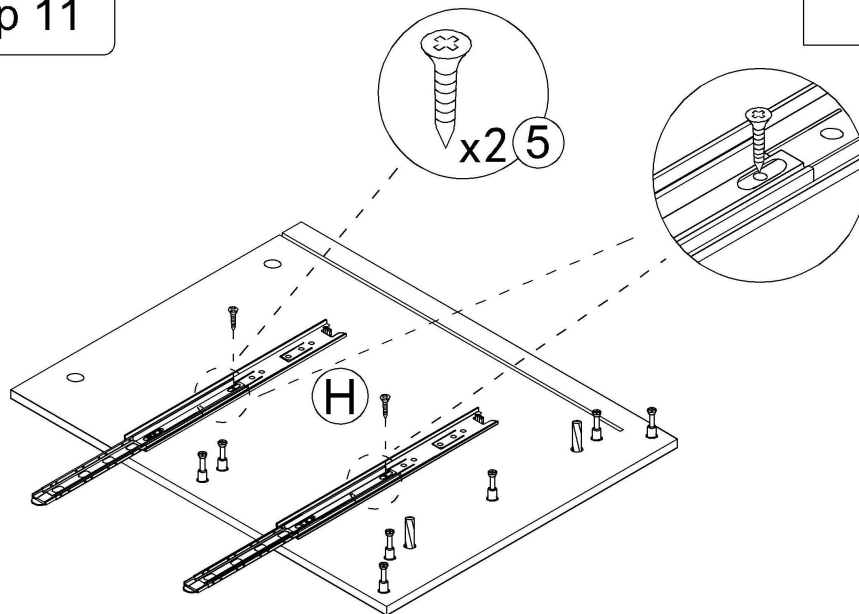


Step 11

5



x2



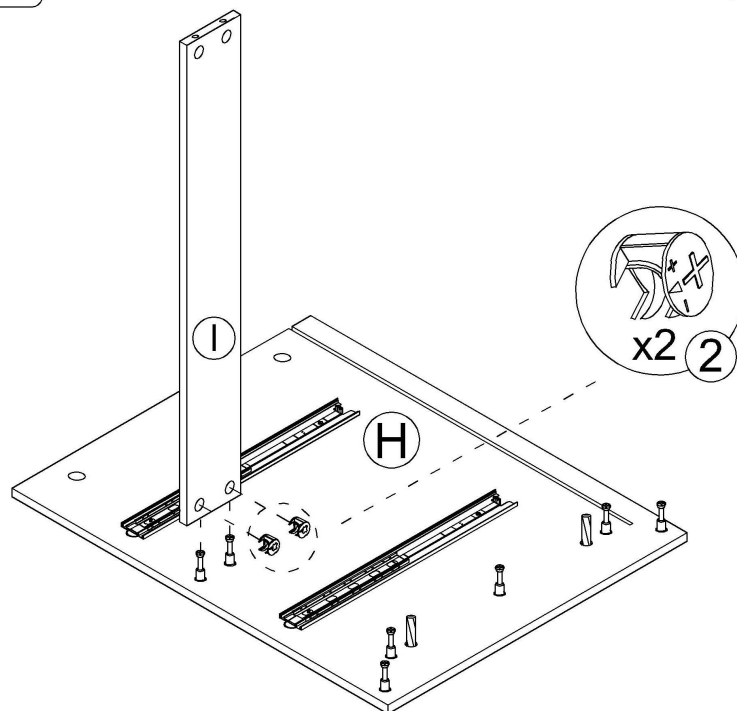
This hole is for strengthening fixed hole customers can choose to install according to their needs.

Step 12

2

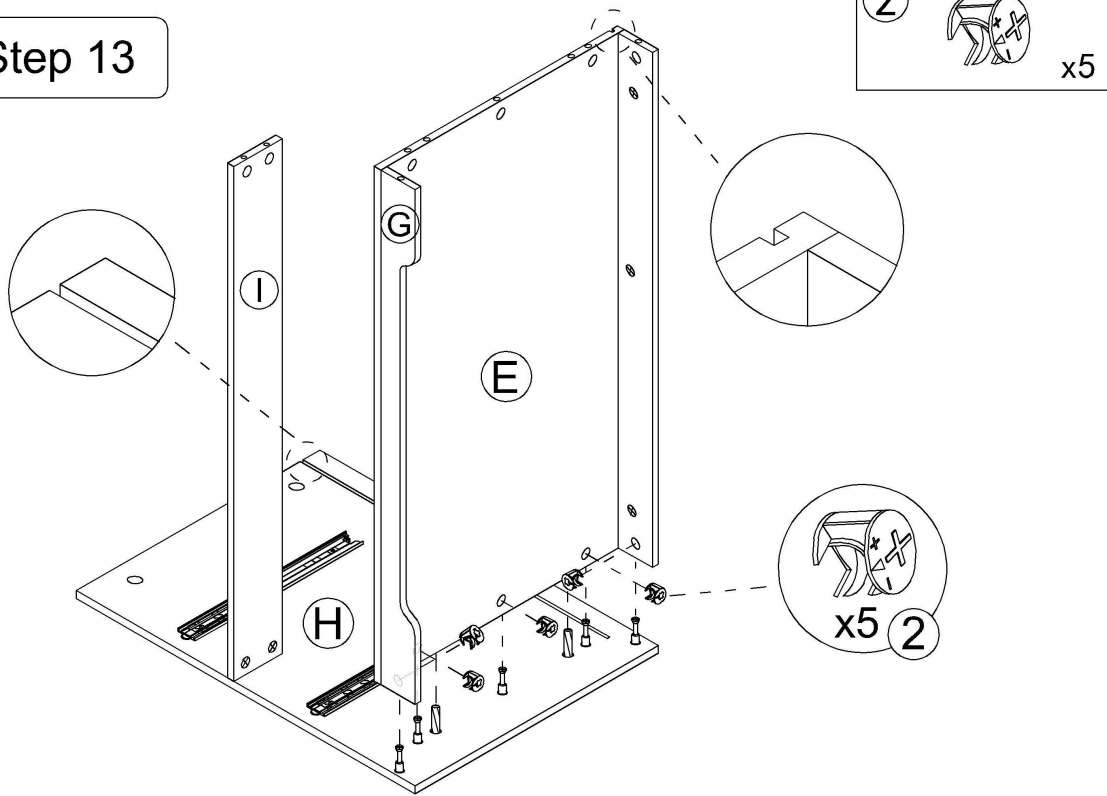


x2

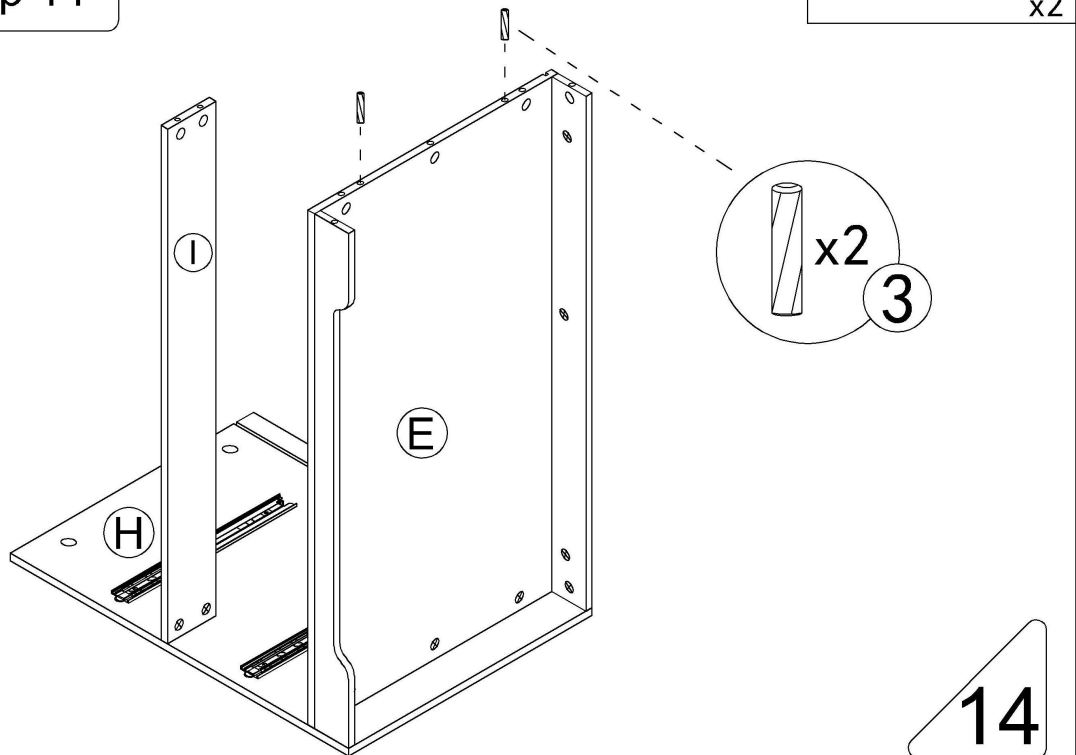


13

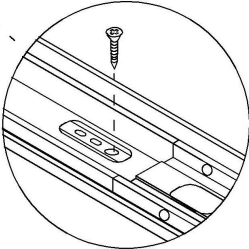
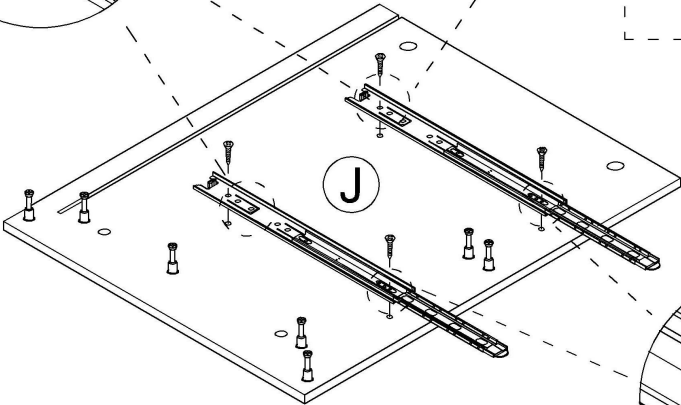
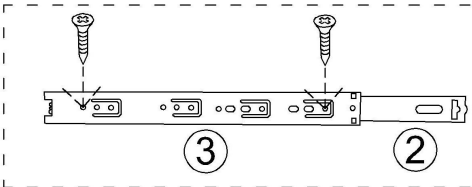
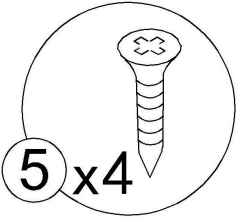
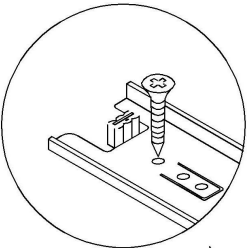
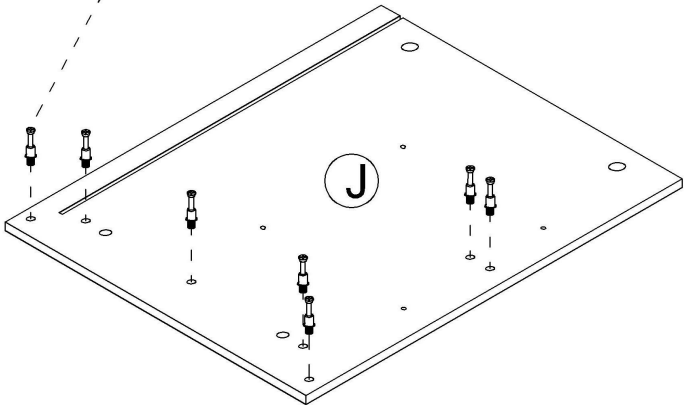
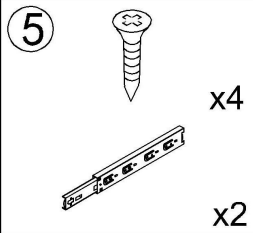
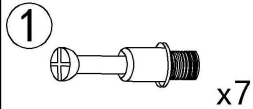
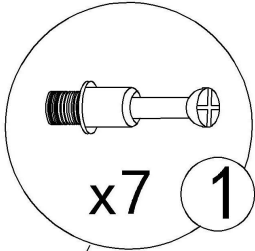
Step 13



Step 14



Step 15

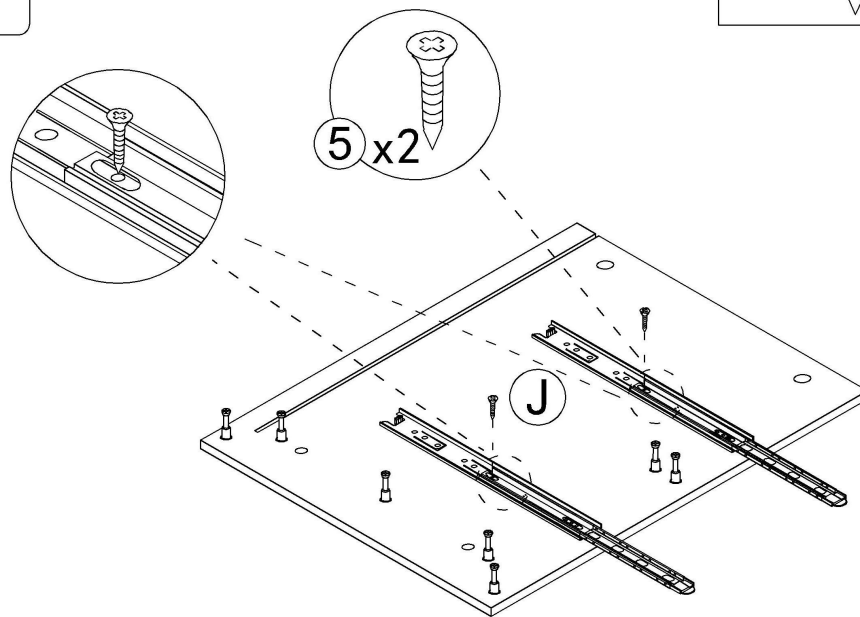


Step 16

5



x2



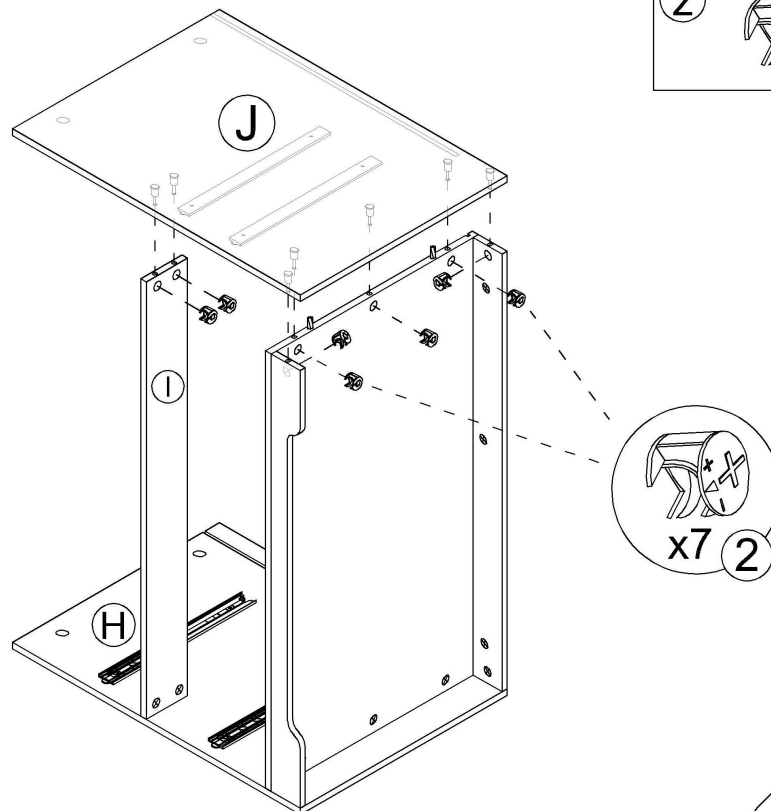
This hole is for strengthening fixed hole customers can choose to install according to their needs.

Step 17

2

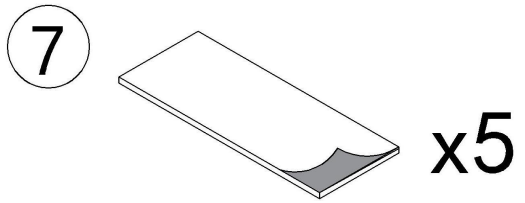
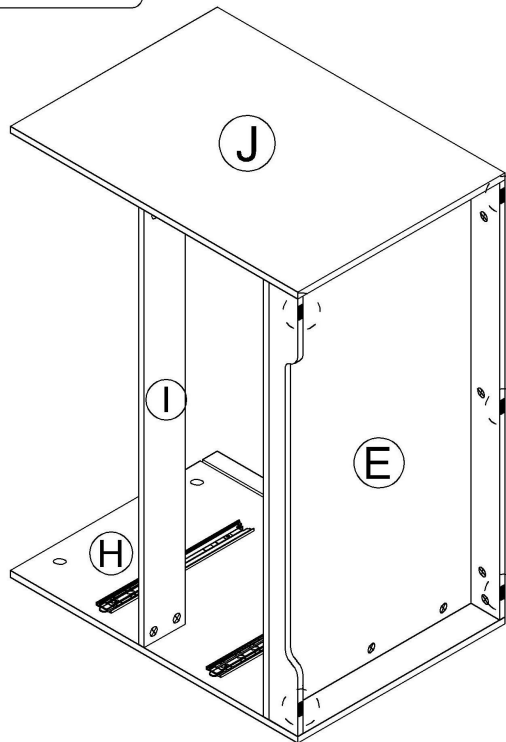


x7

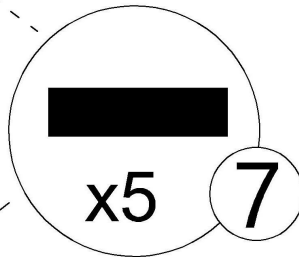


16

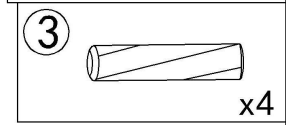
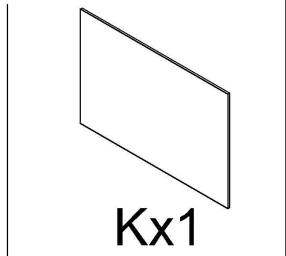
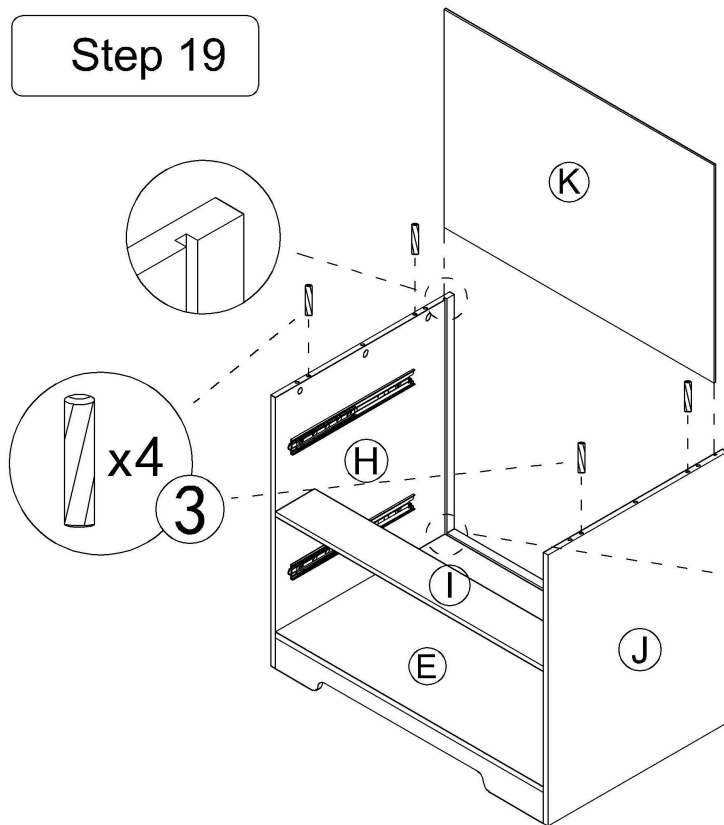
Step 18



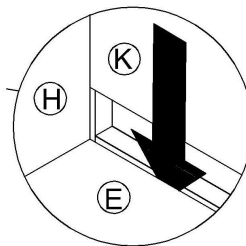
Tear off release paper and stick the black foot pad on the board



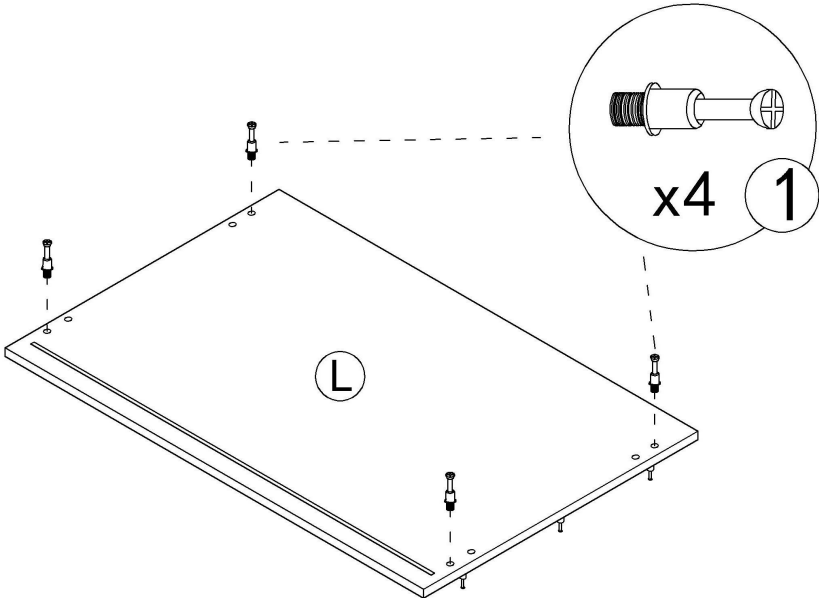
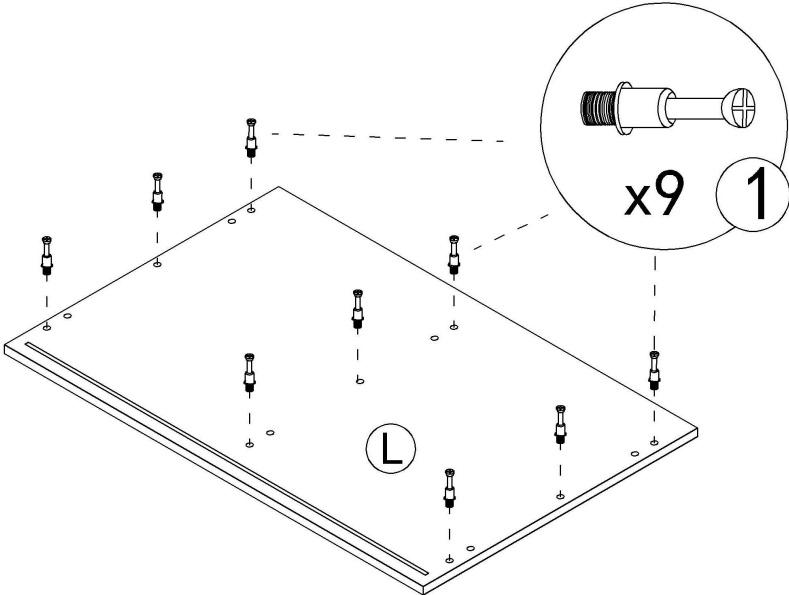
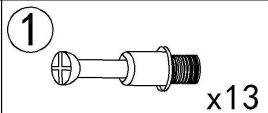
Step 19



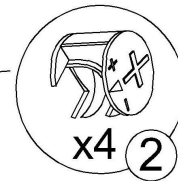
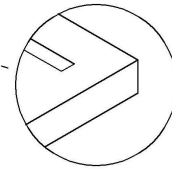
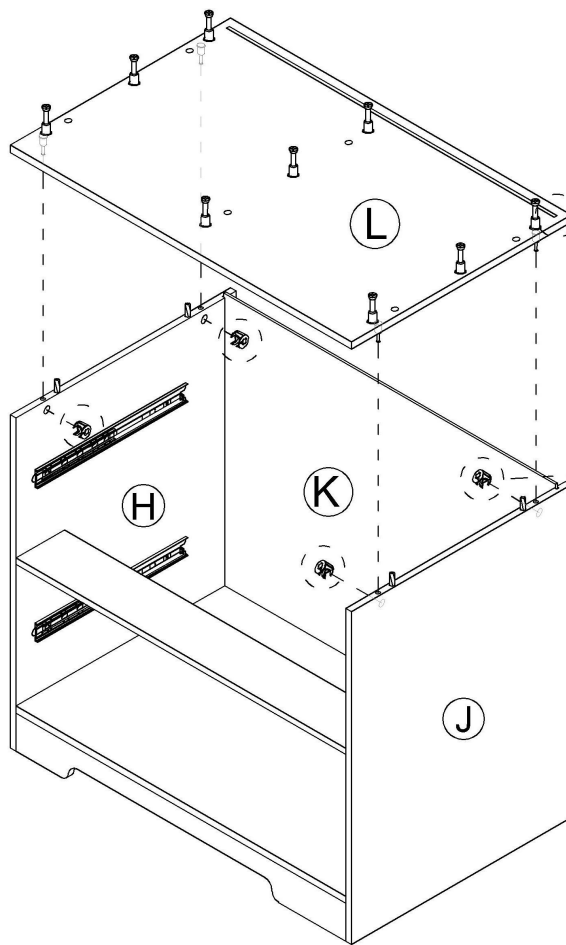
Insert the board into the slot



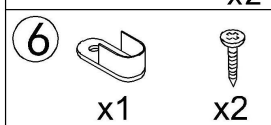
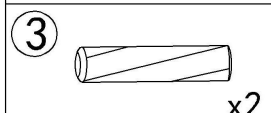
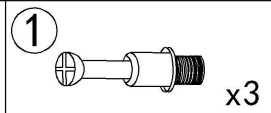
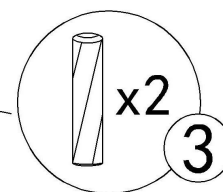
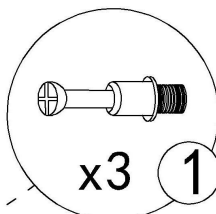
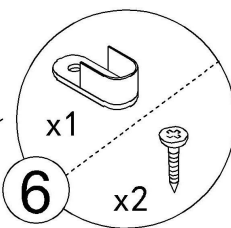
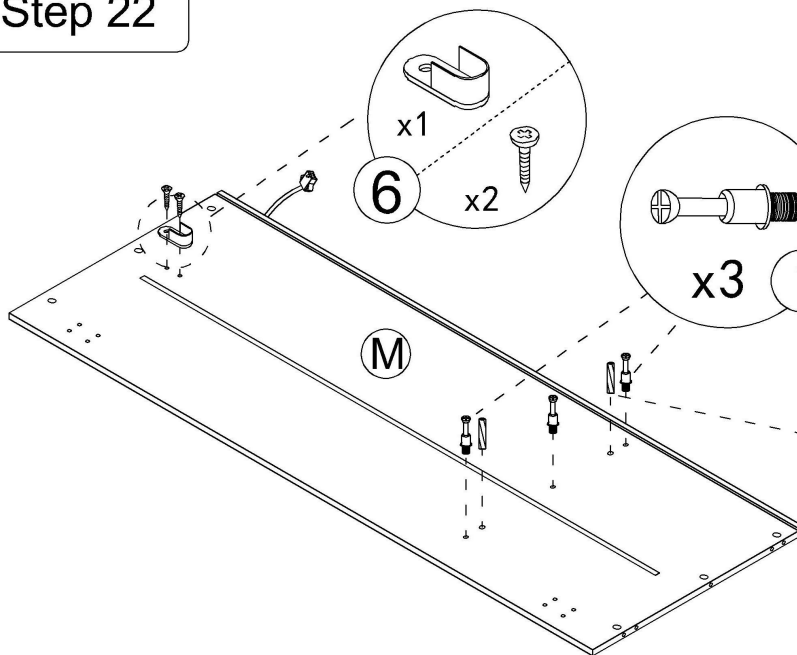
Step 20



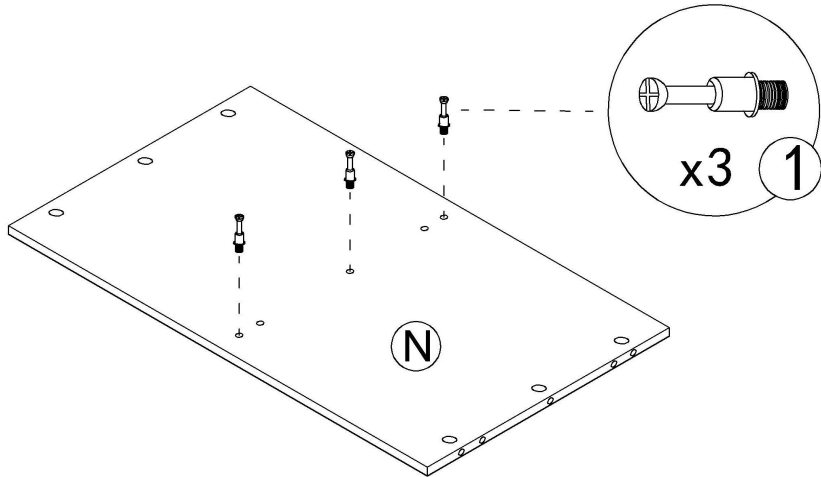
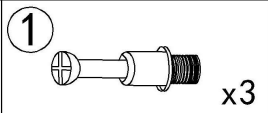
Step 21



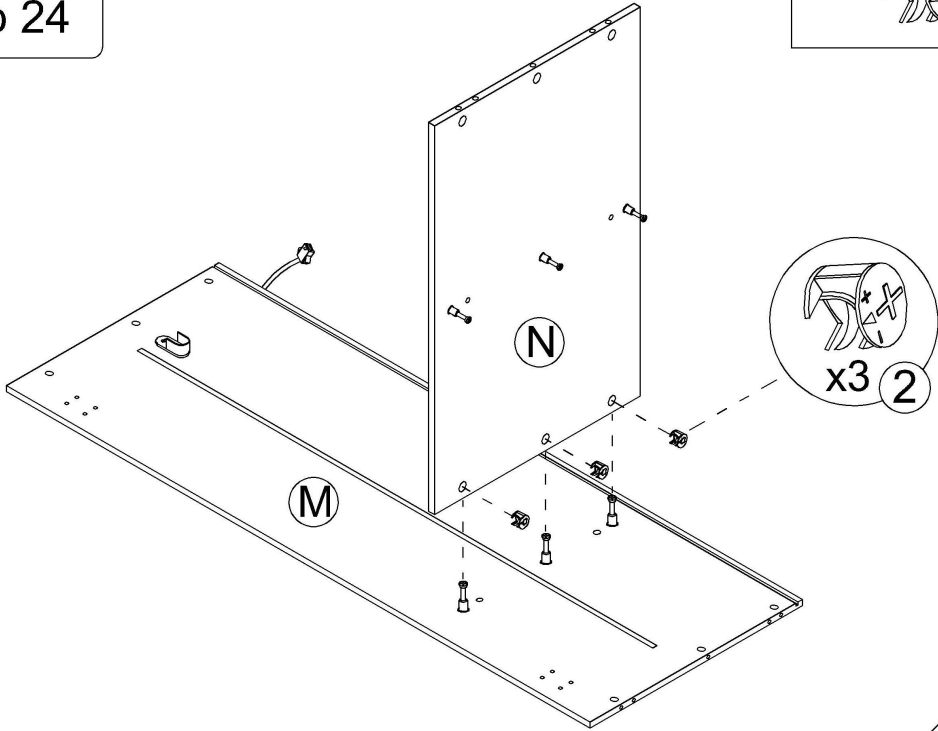
Step 22



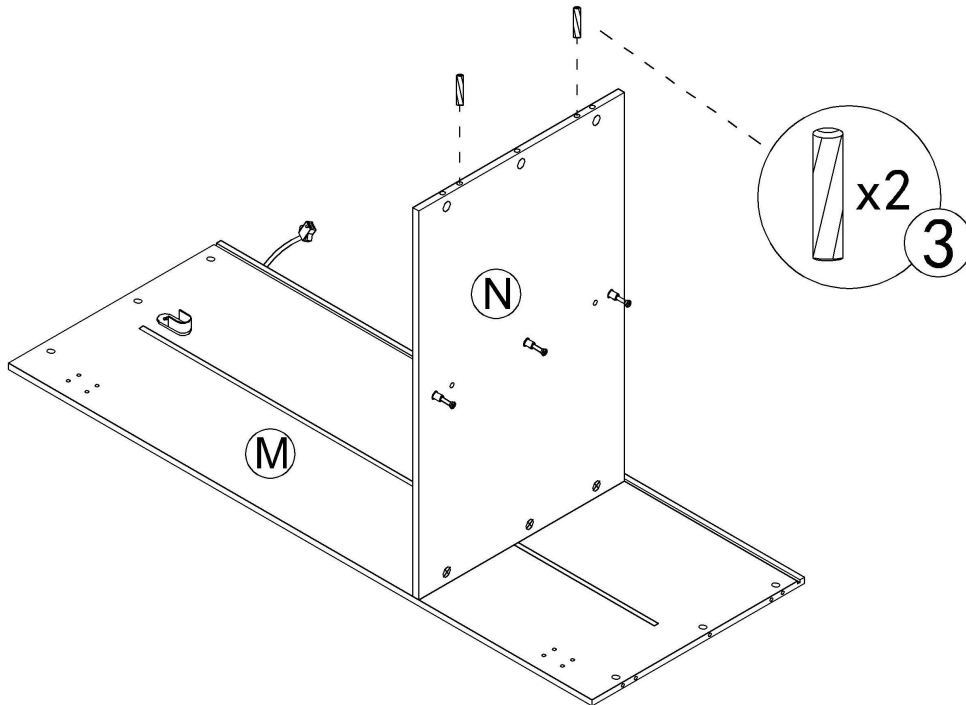
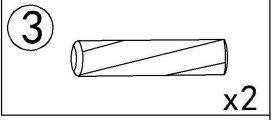
Step 23



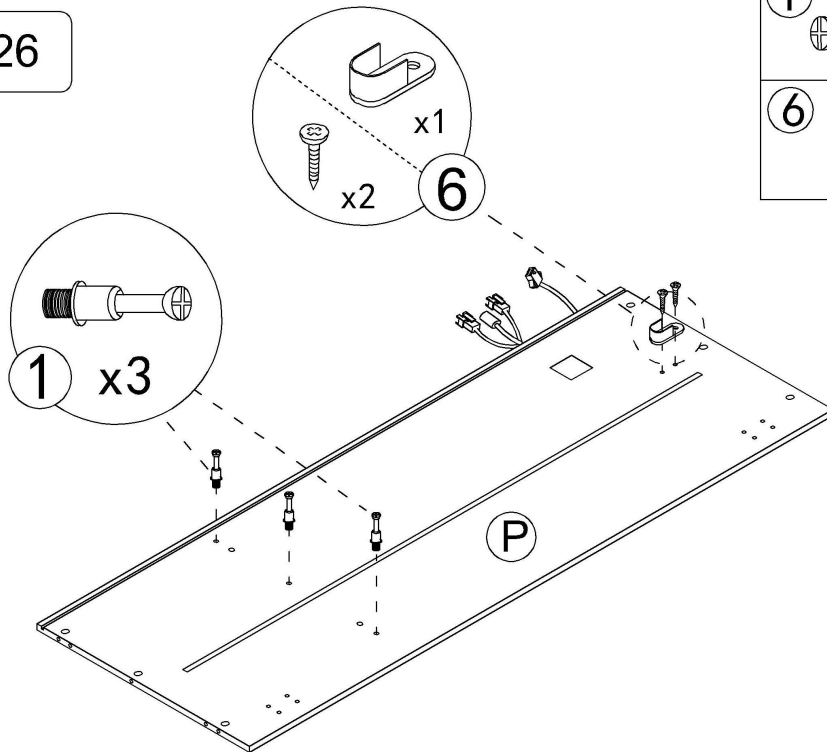
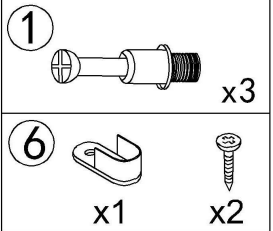
Step 24



Step 25



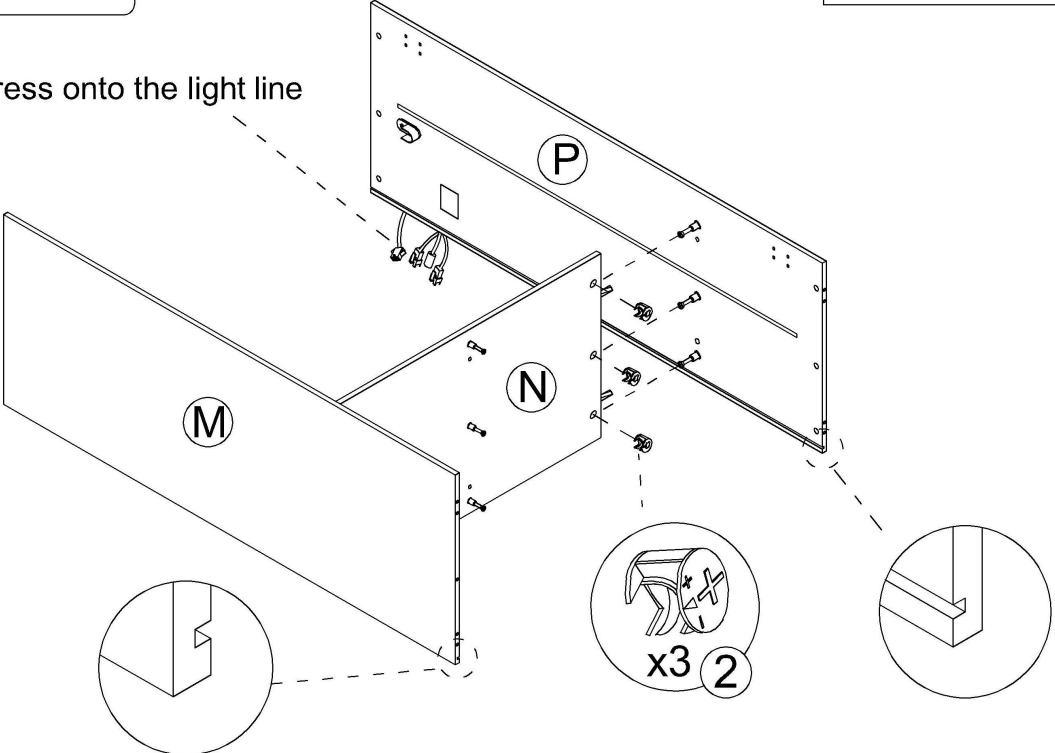
Step 26



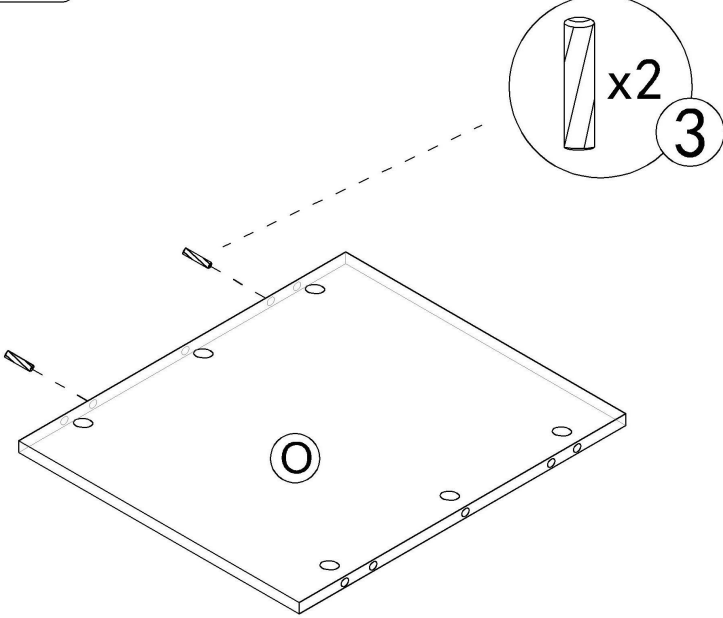
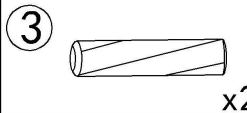
Step 27



Do not press onto the light line



Step 28

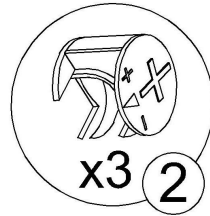
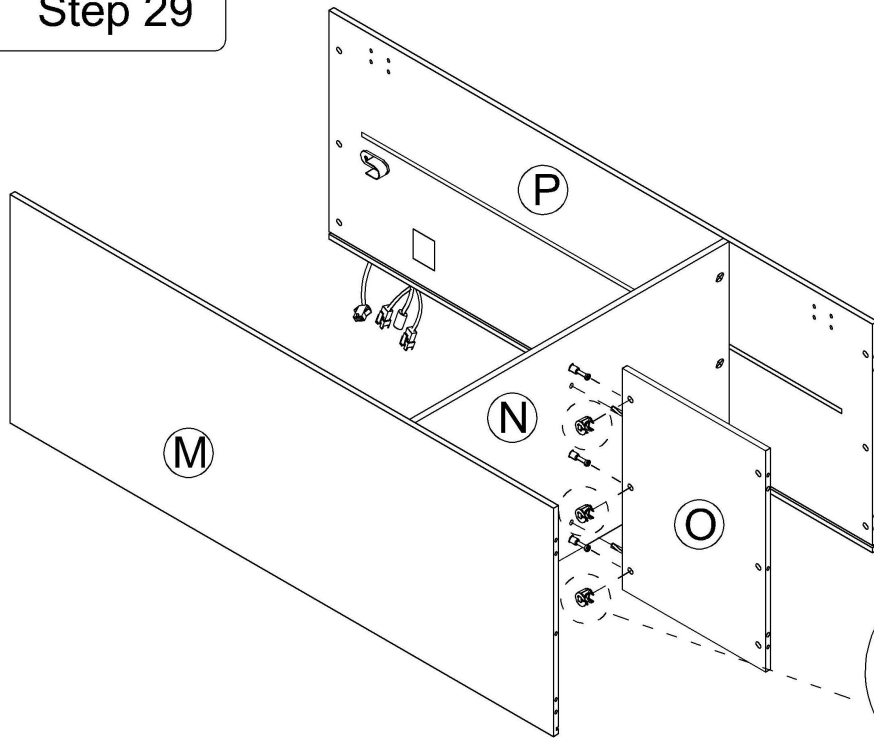


Step 29

2



x3

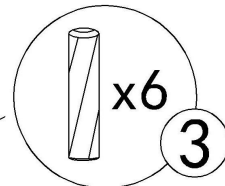
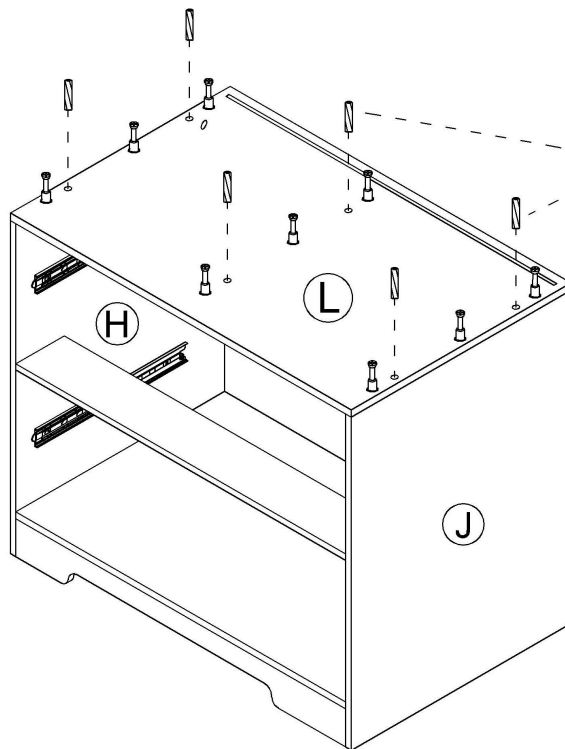


Step 30

3



x6

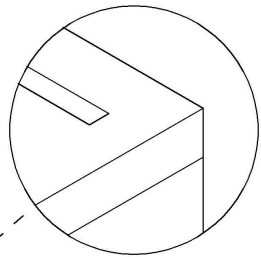
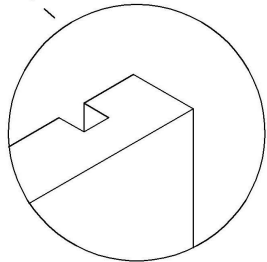
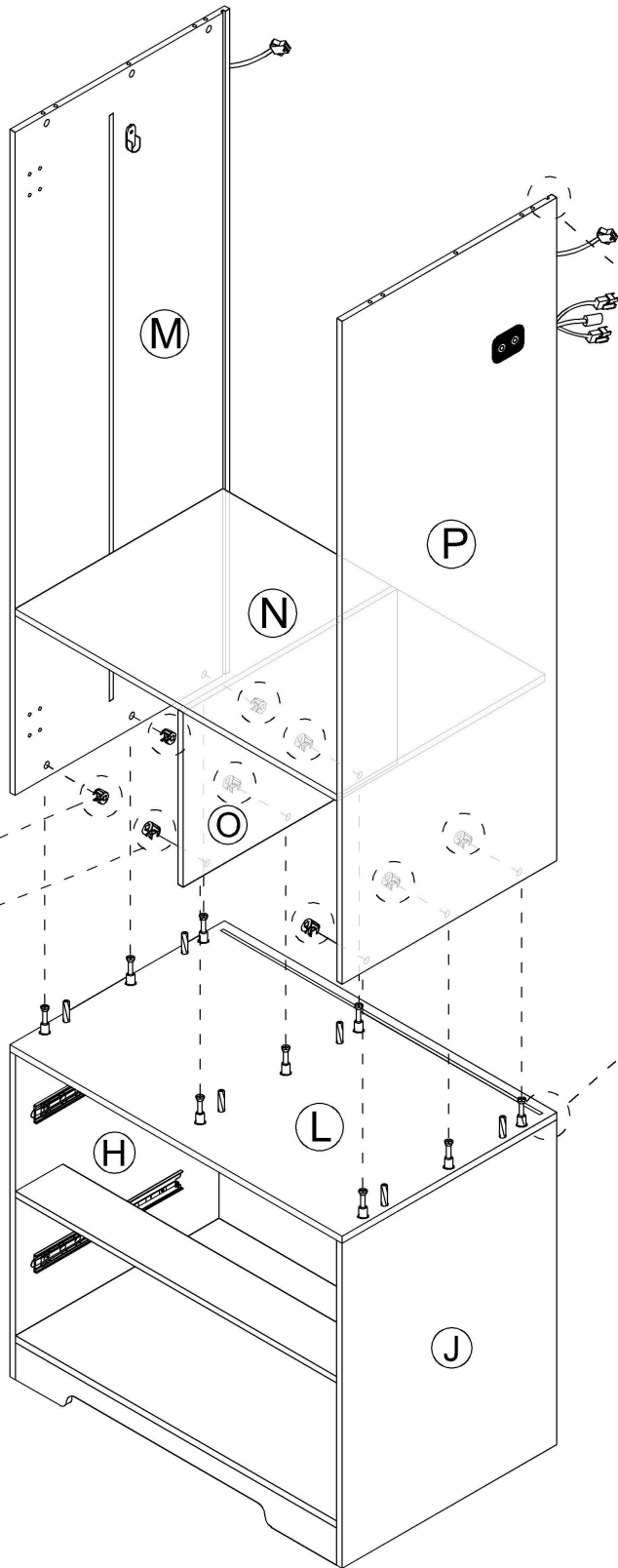
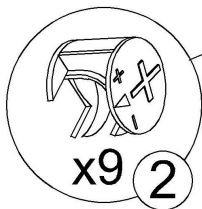


Step 31

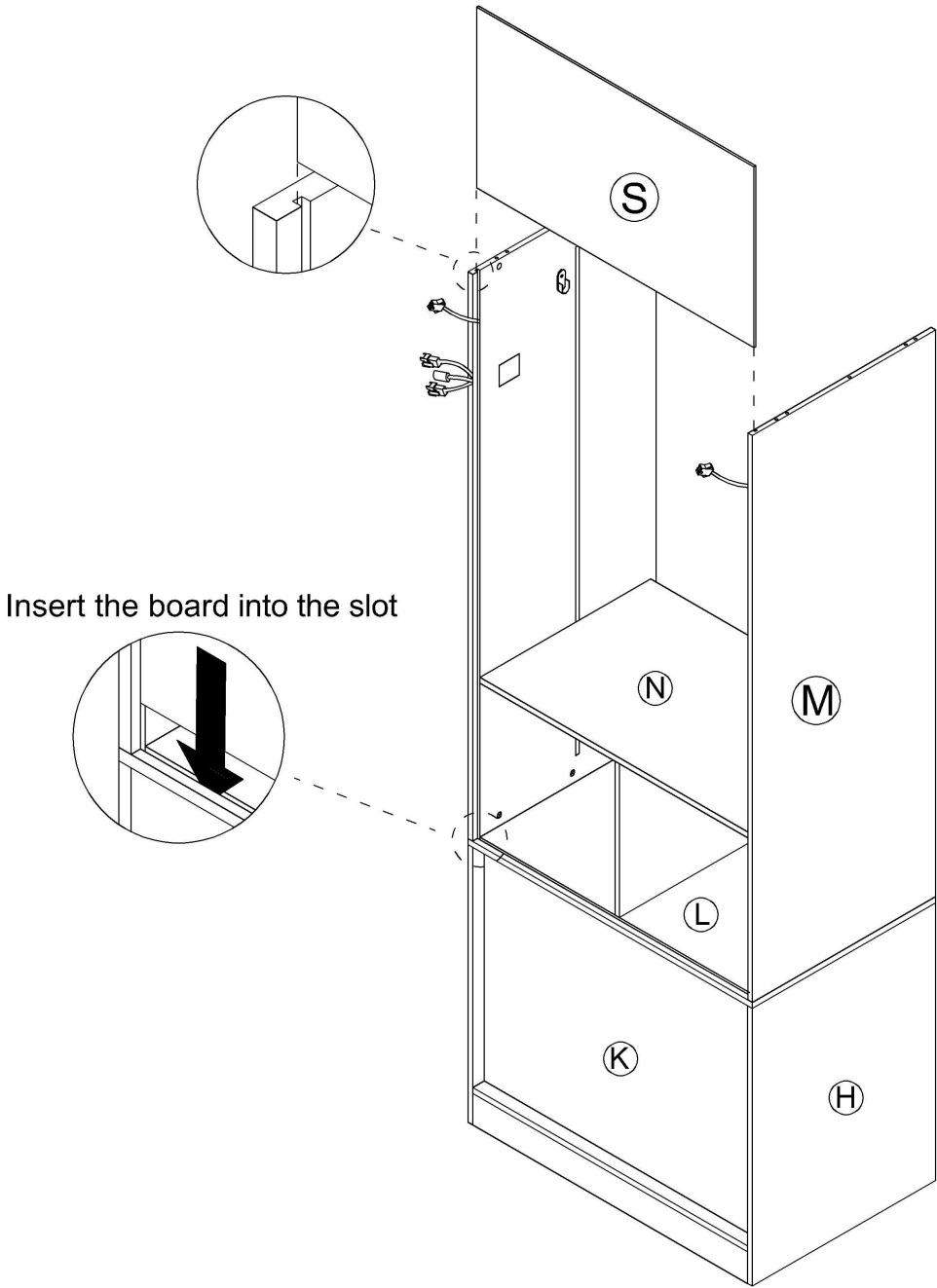
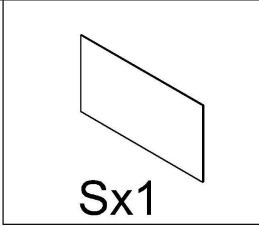
2



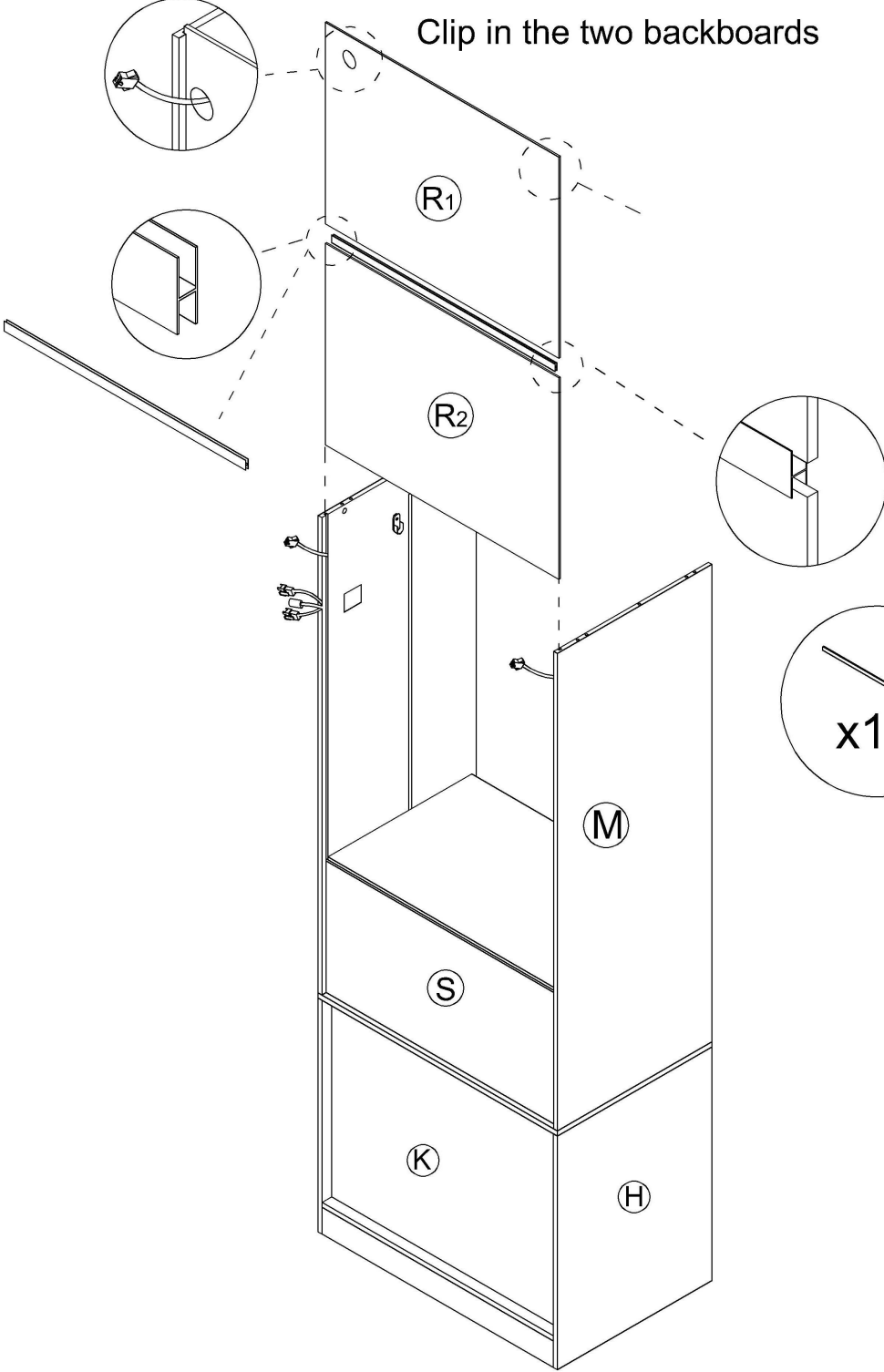
x9



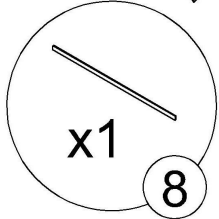
Step 32



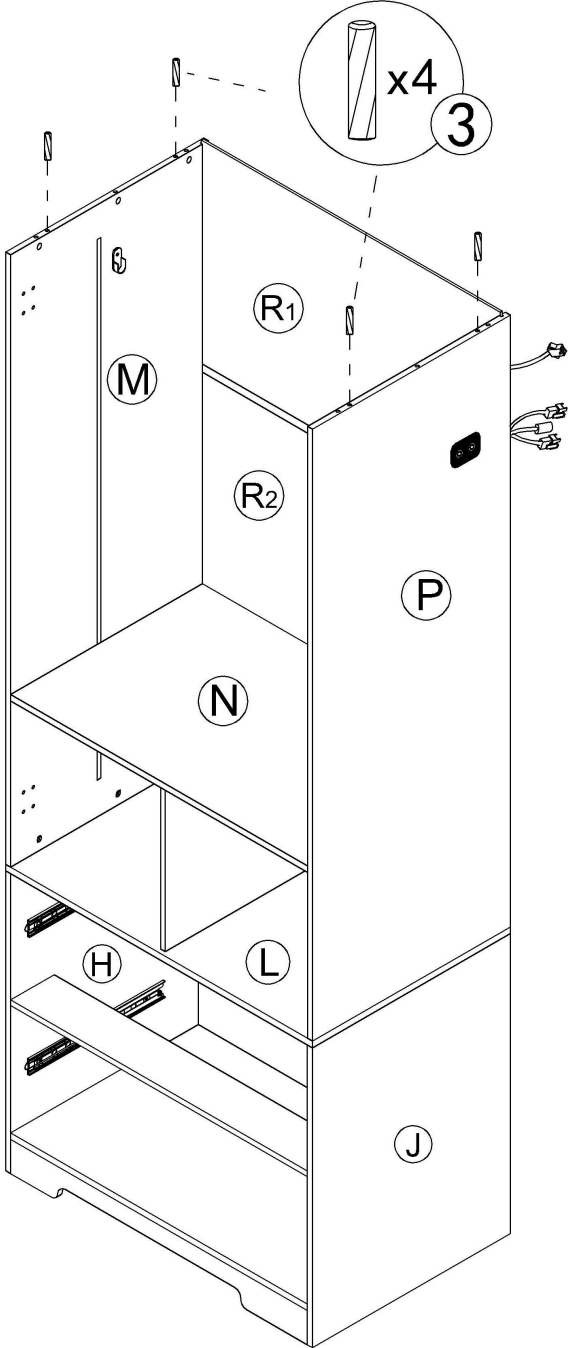
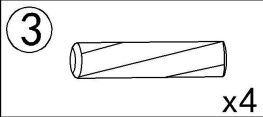
Step 33



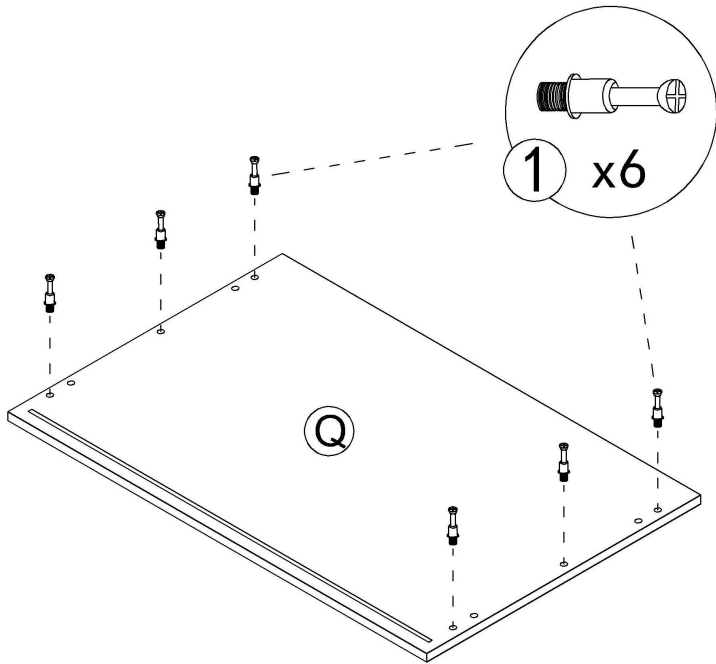
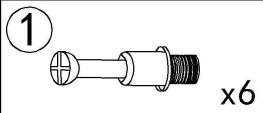
- R1x1
- R2x1
- 8 x1




Step 34

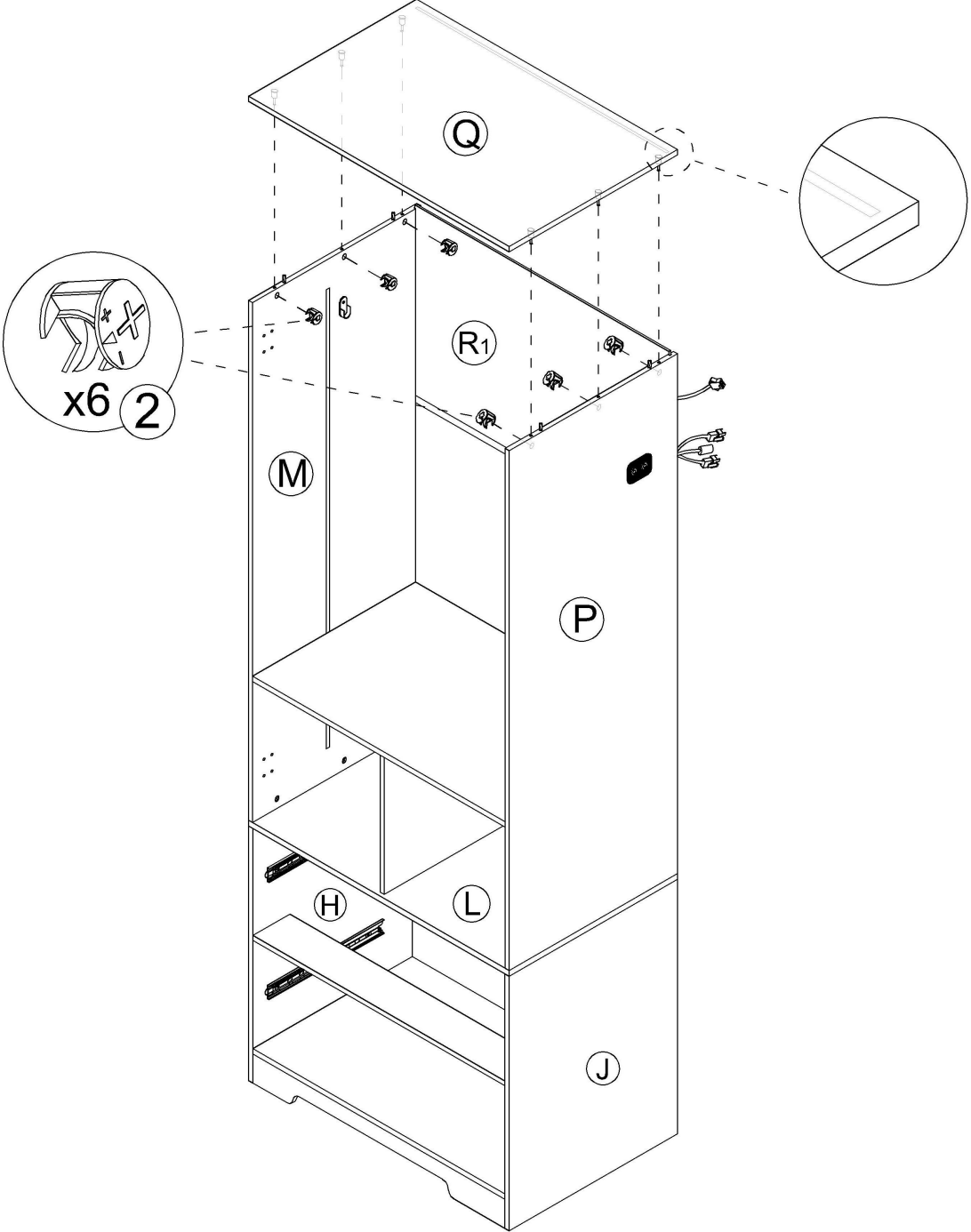


Step 35

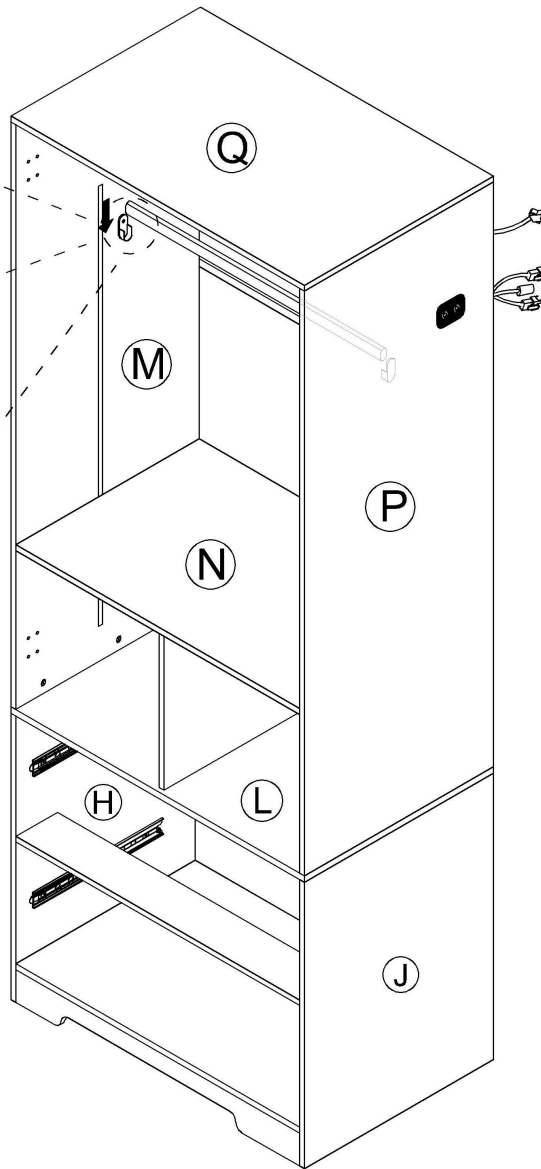
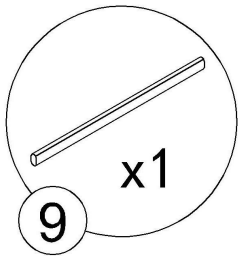
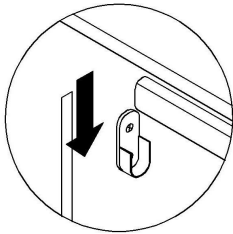
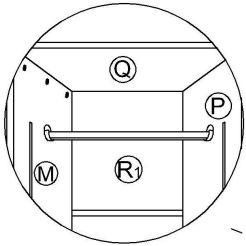
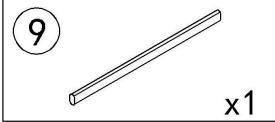


Step 36

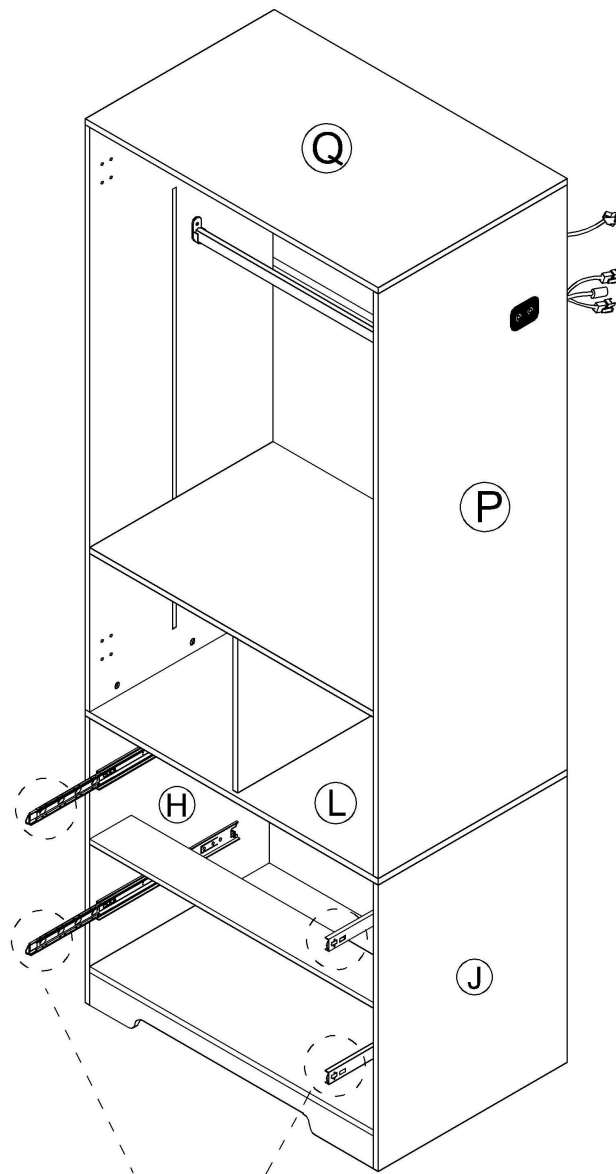
2  x6



Step 37

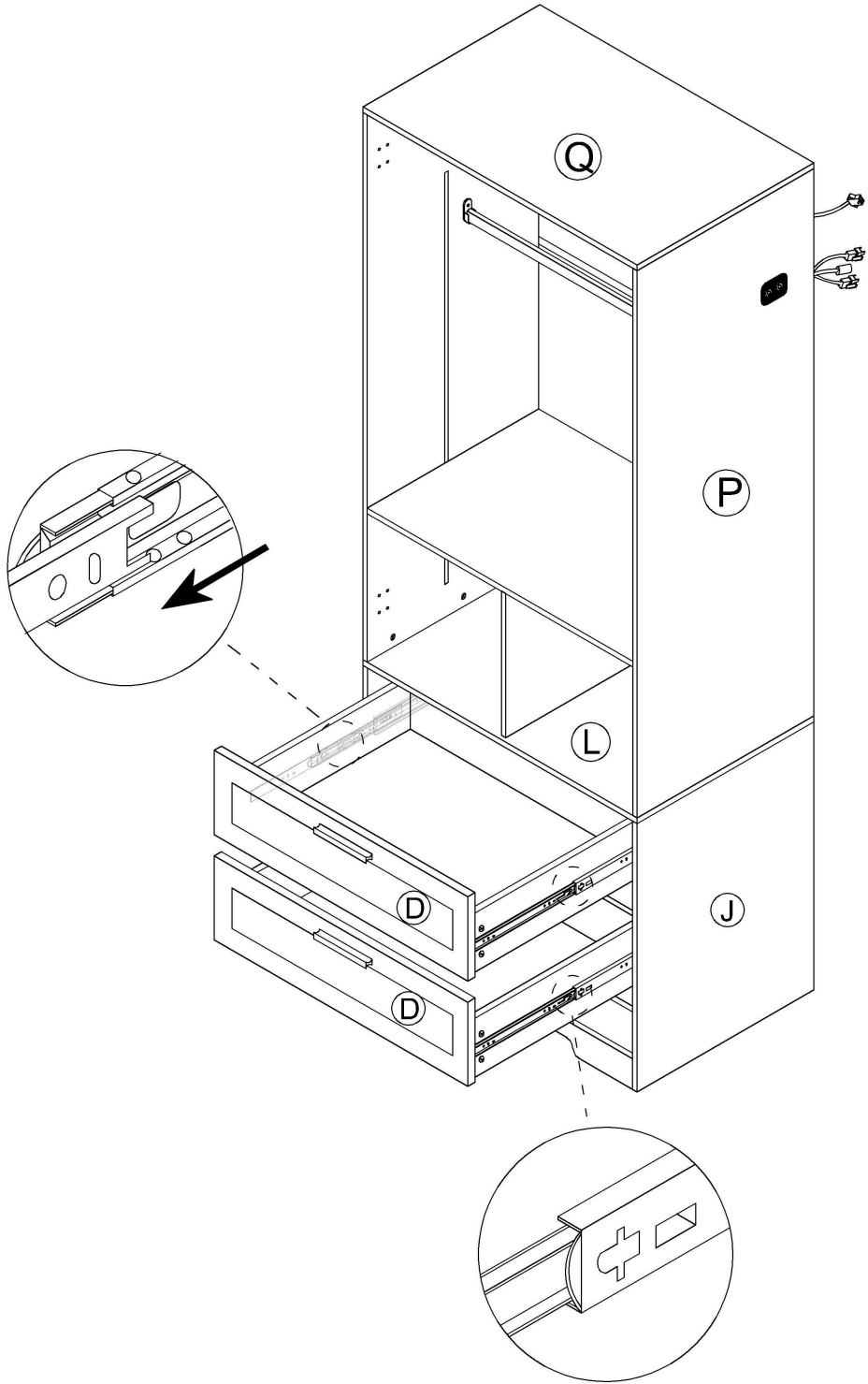


Step 38

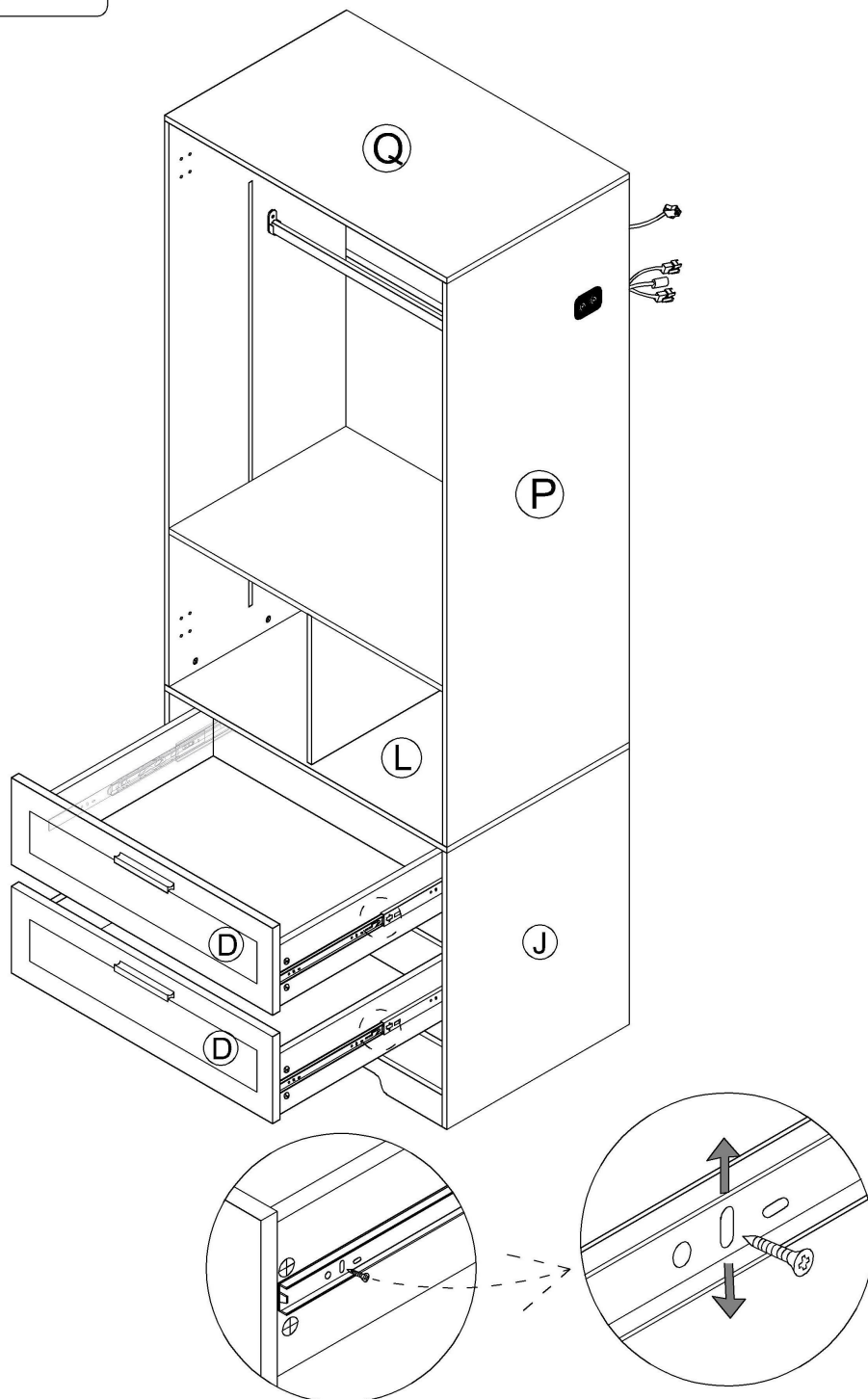


As shown, When installing the drawer, pull the guide rail out first, Slide beads are also pulled out.



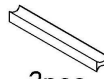

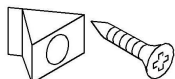








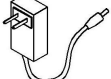
Step 39

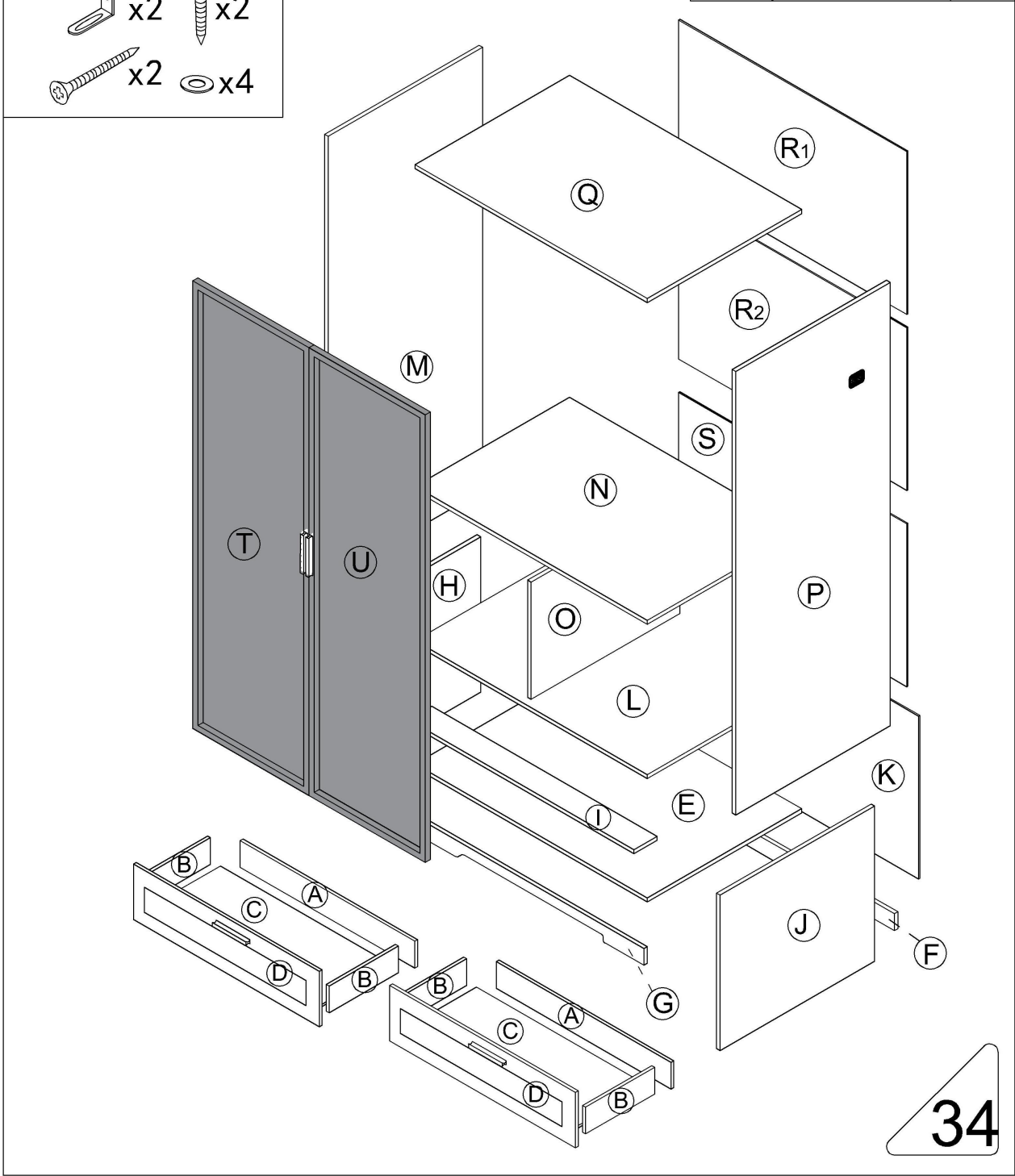


Step 40





If a large gap is found after installing the drawer the slide rail can be moved up and down to adjust the gap

10	 4pcs  8pcs	12	 2pcs  4pcs	14	 12pcs	
11	 16pcs	13	 2pcs	15	 2pcs	
16  x2  x2  x2  x2  x4						 1pcs

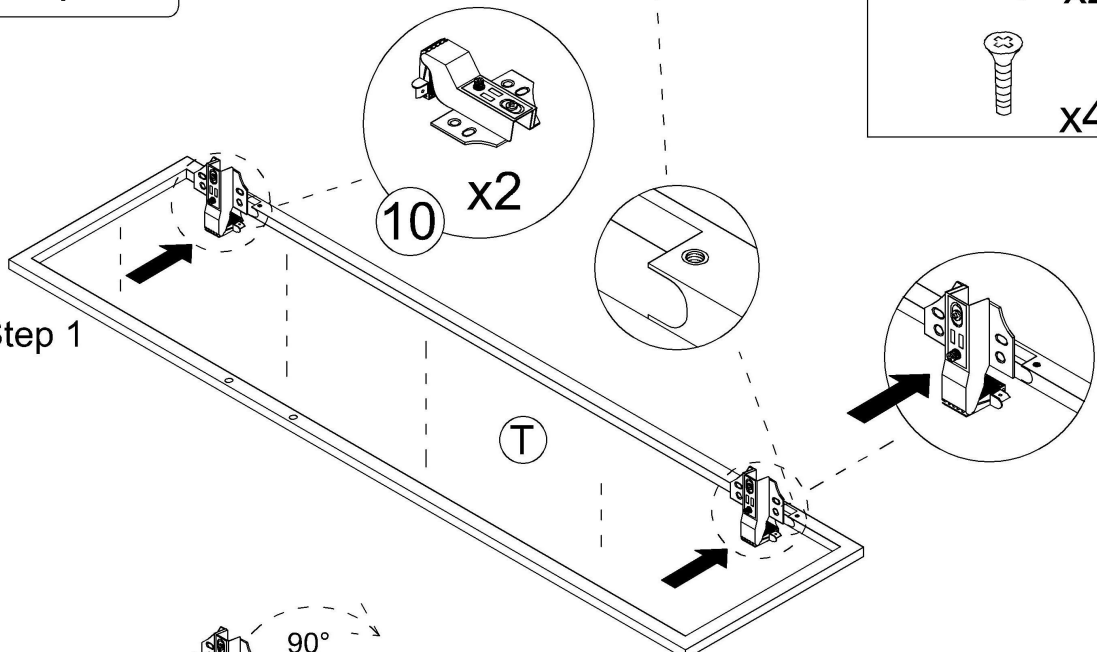


Step 41

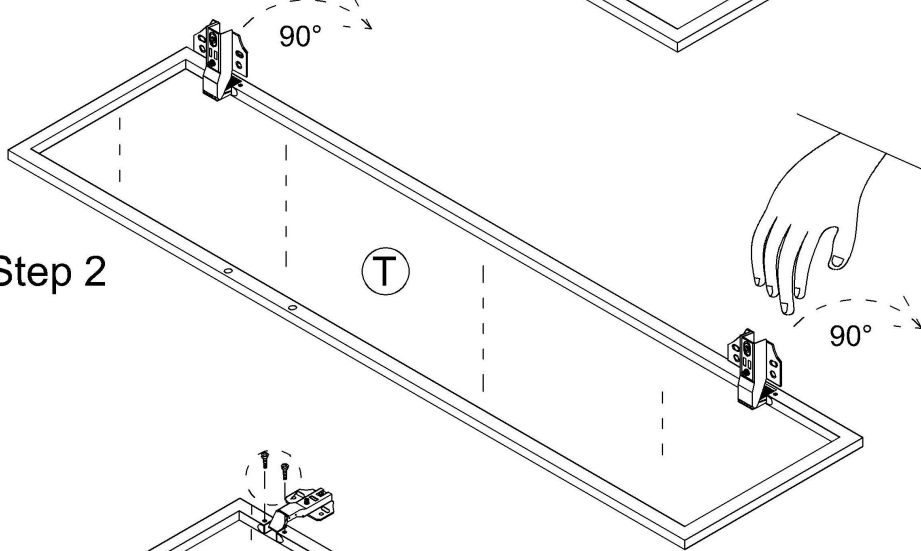
Be careful not to scratch your hand

- 10  x2
-  x4

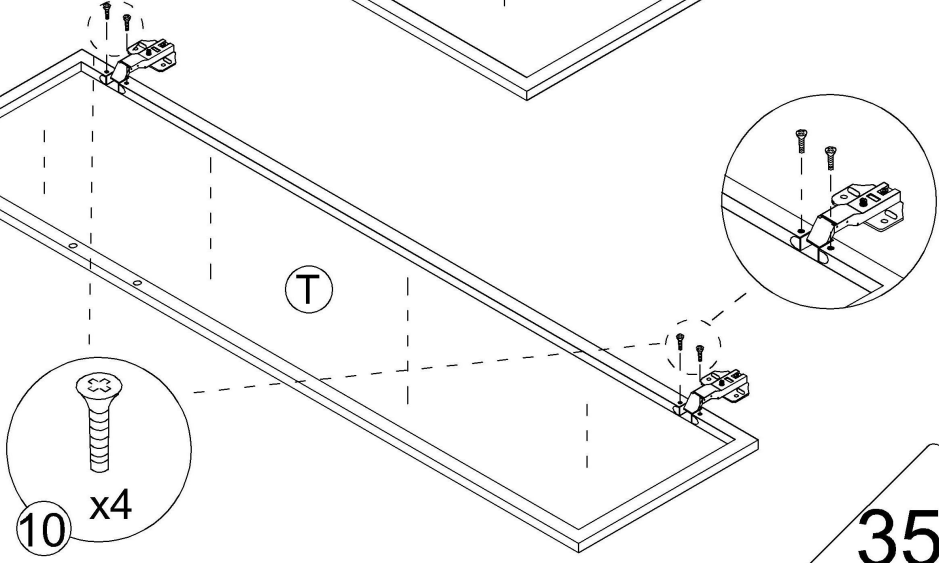
Step 1



Step 2





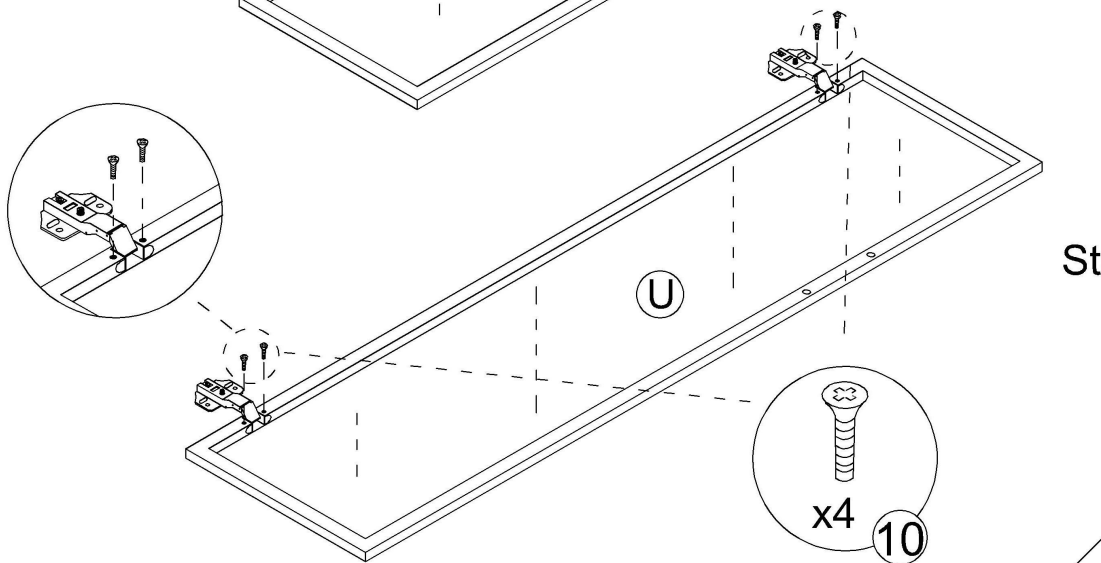
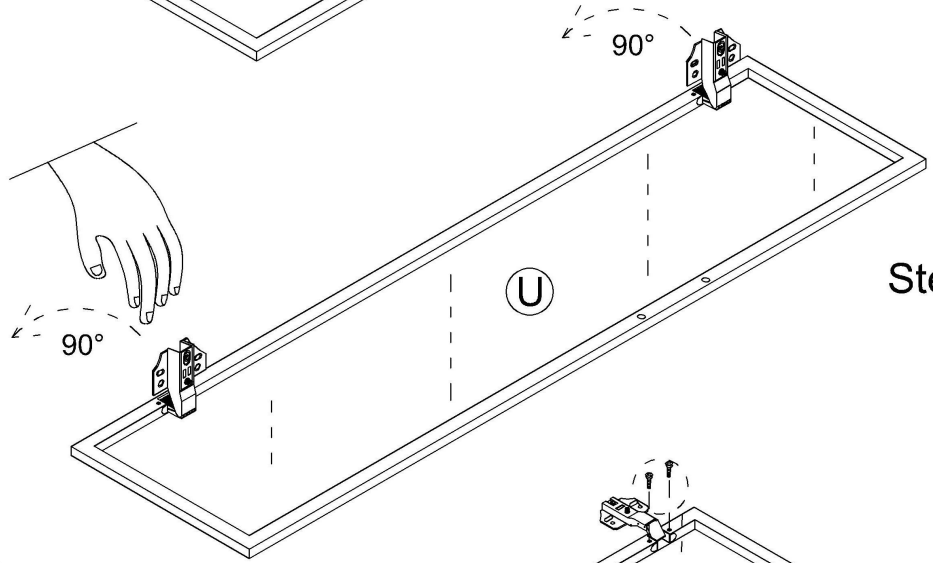
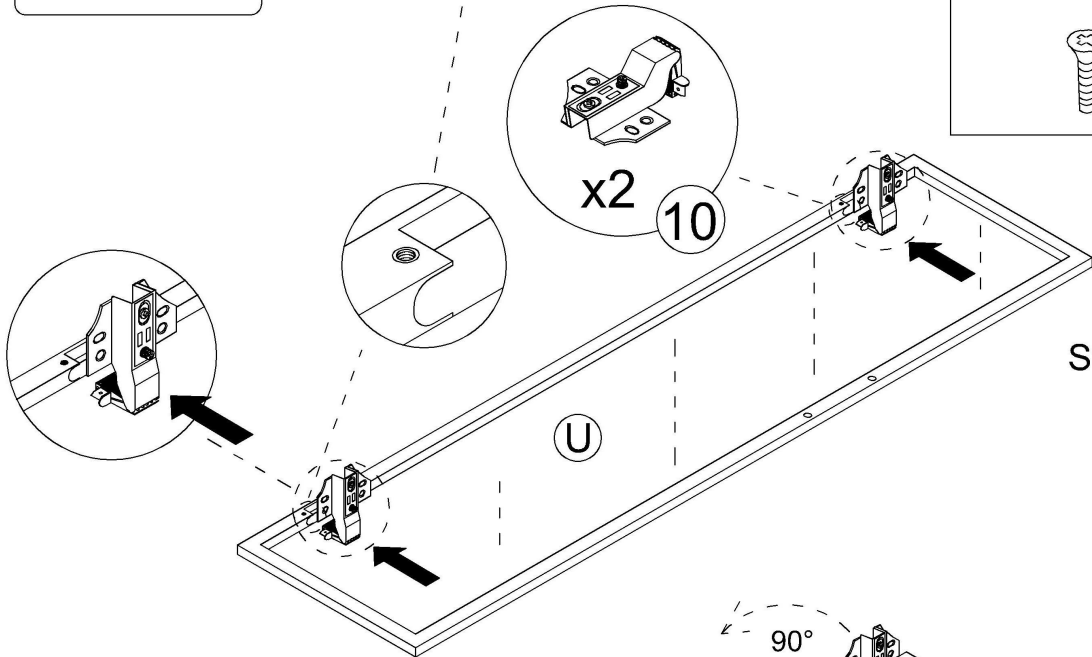
Step 3



Step 42

Be careful not to scratch your hand

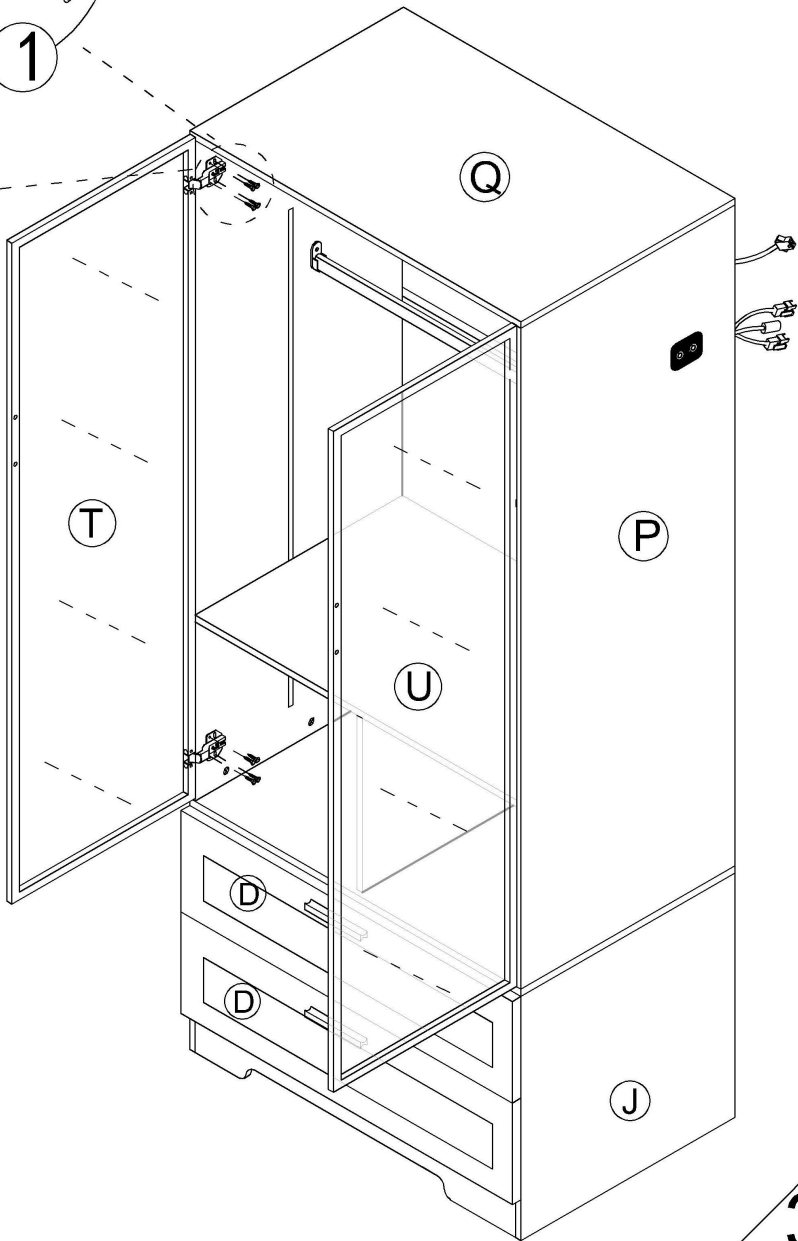
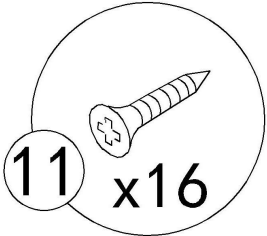
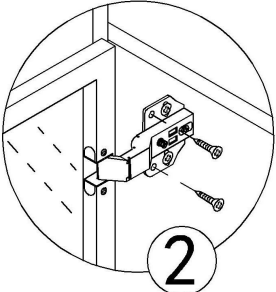
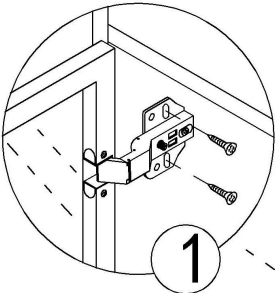
- 10  x2
-  x4



Step 43

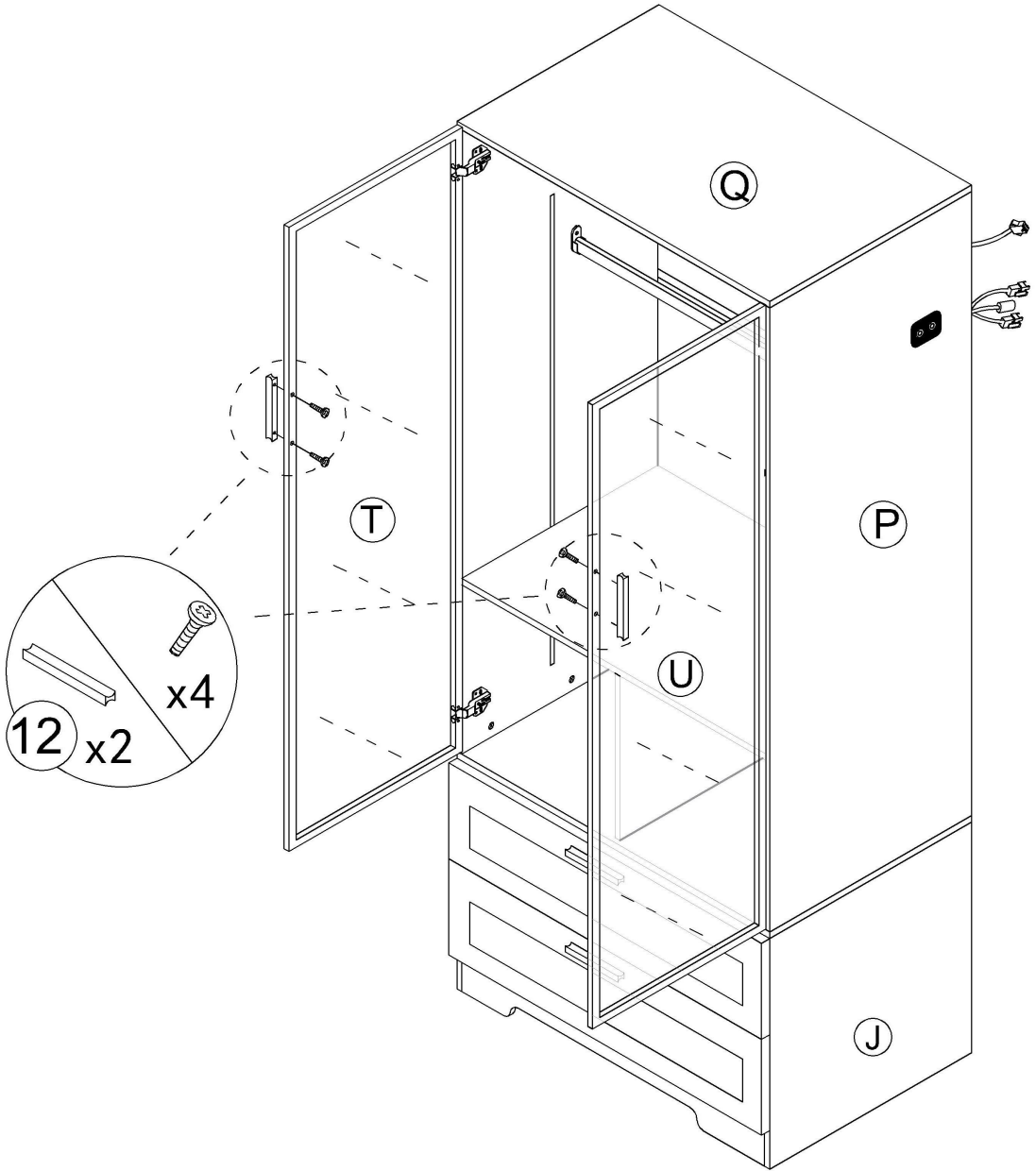
11  x16

First lock the elliptical hole  
then lock the fixed hole

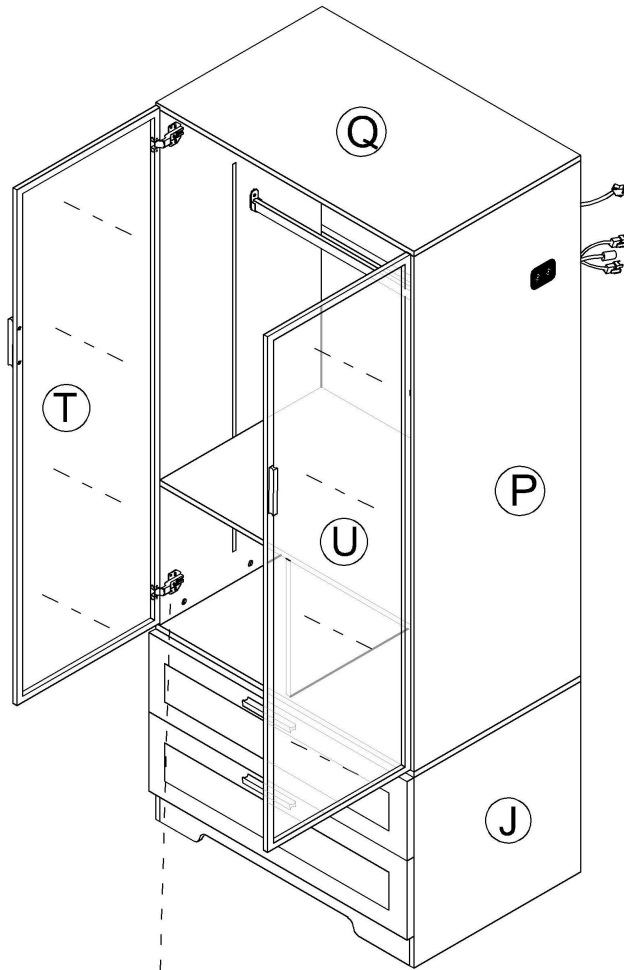


Step 44

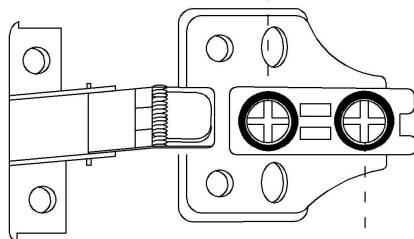
12 x2 x4



Step 45

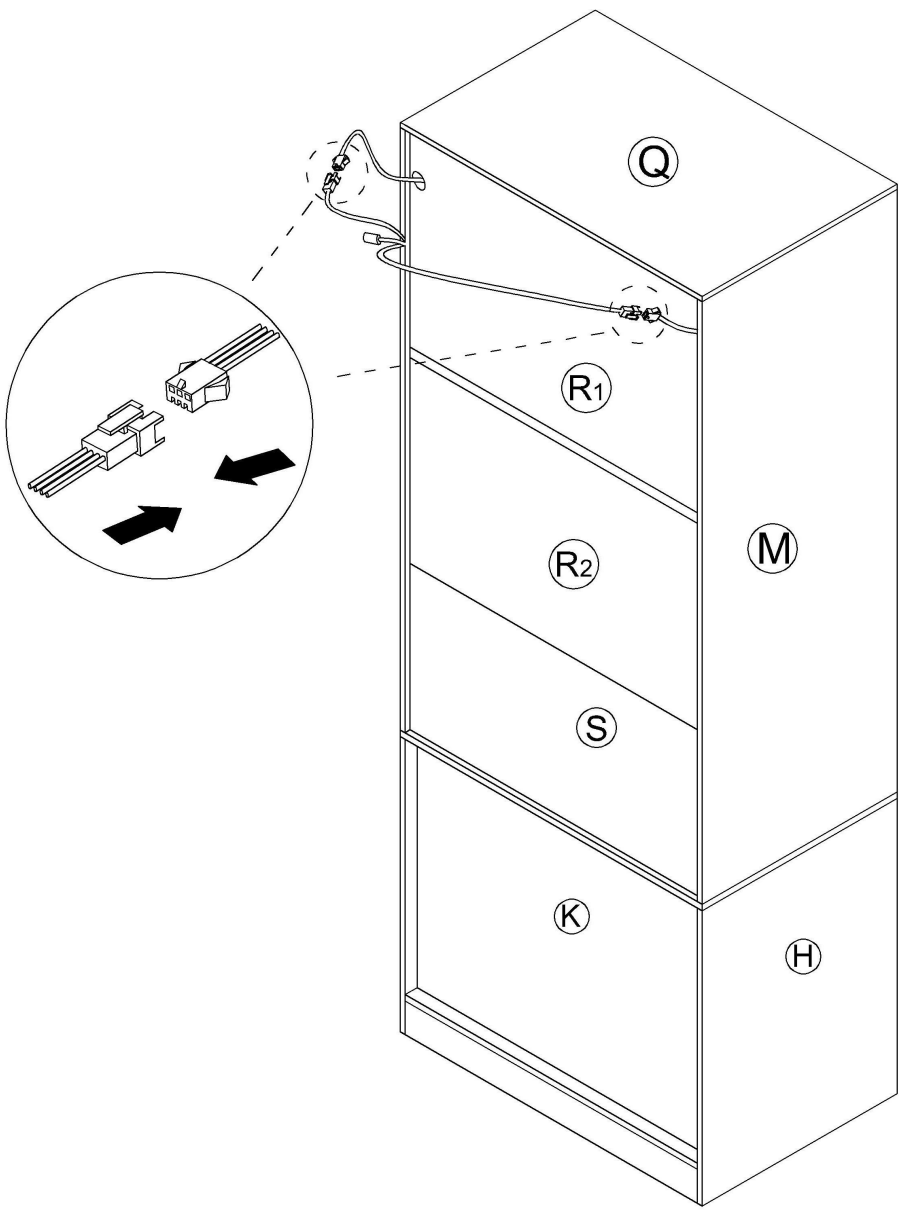


Turning this screw can effectively adjust the size of the door gap.

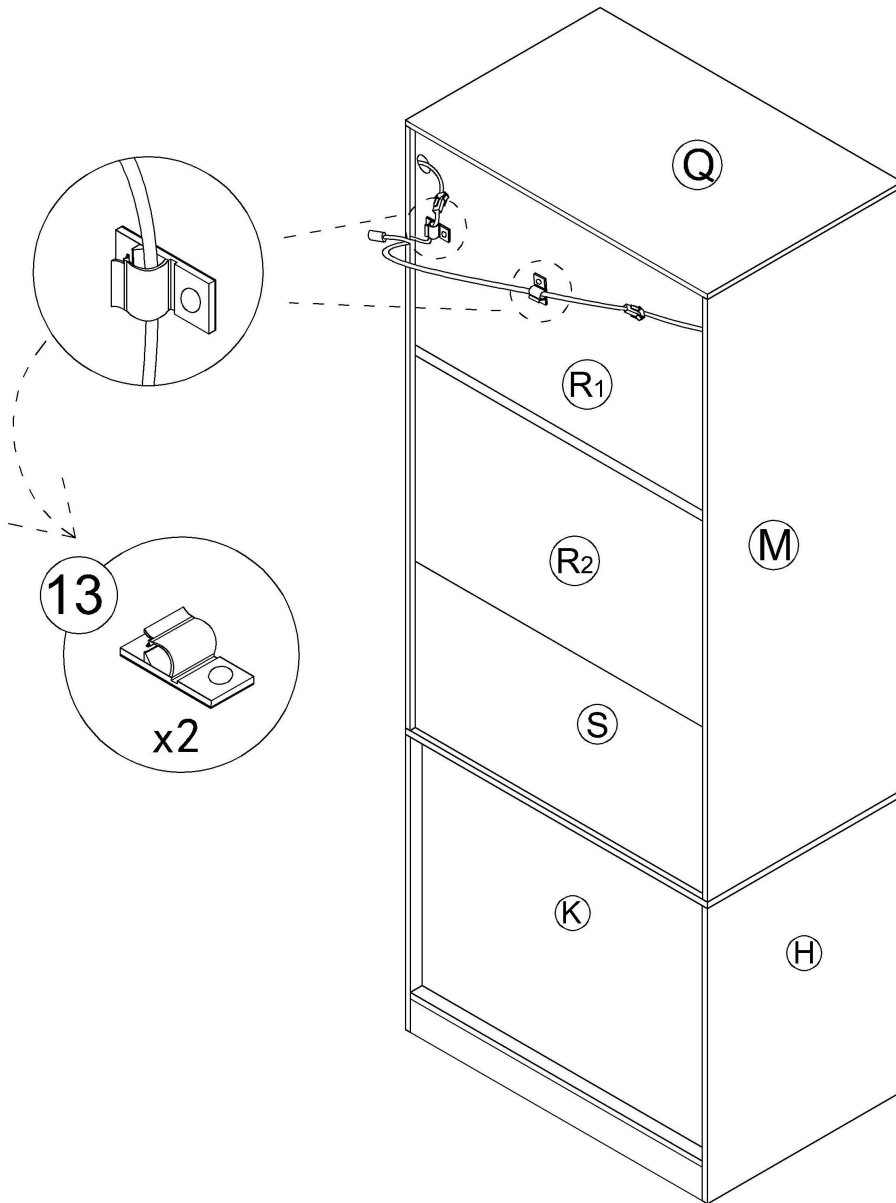
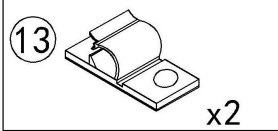


Turn this screw to adjust the door panel to be flat with the side panel.

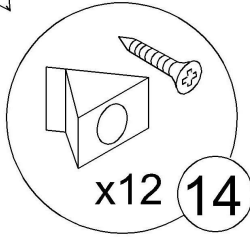
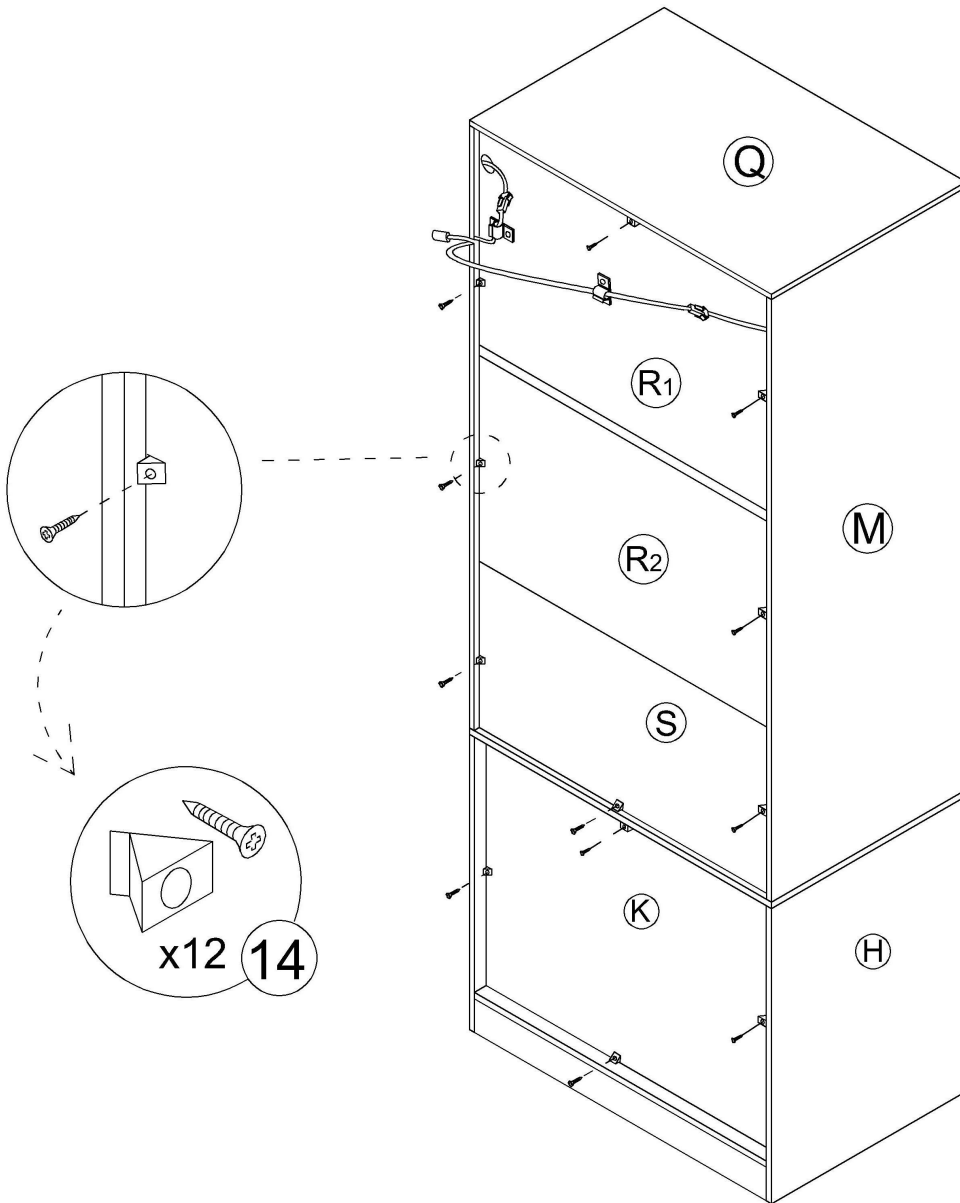
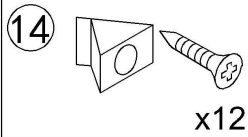
Step 46



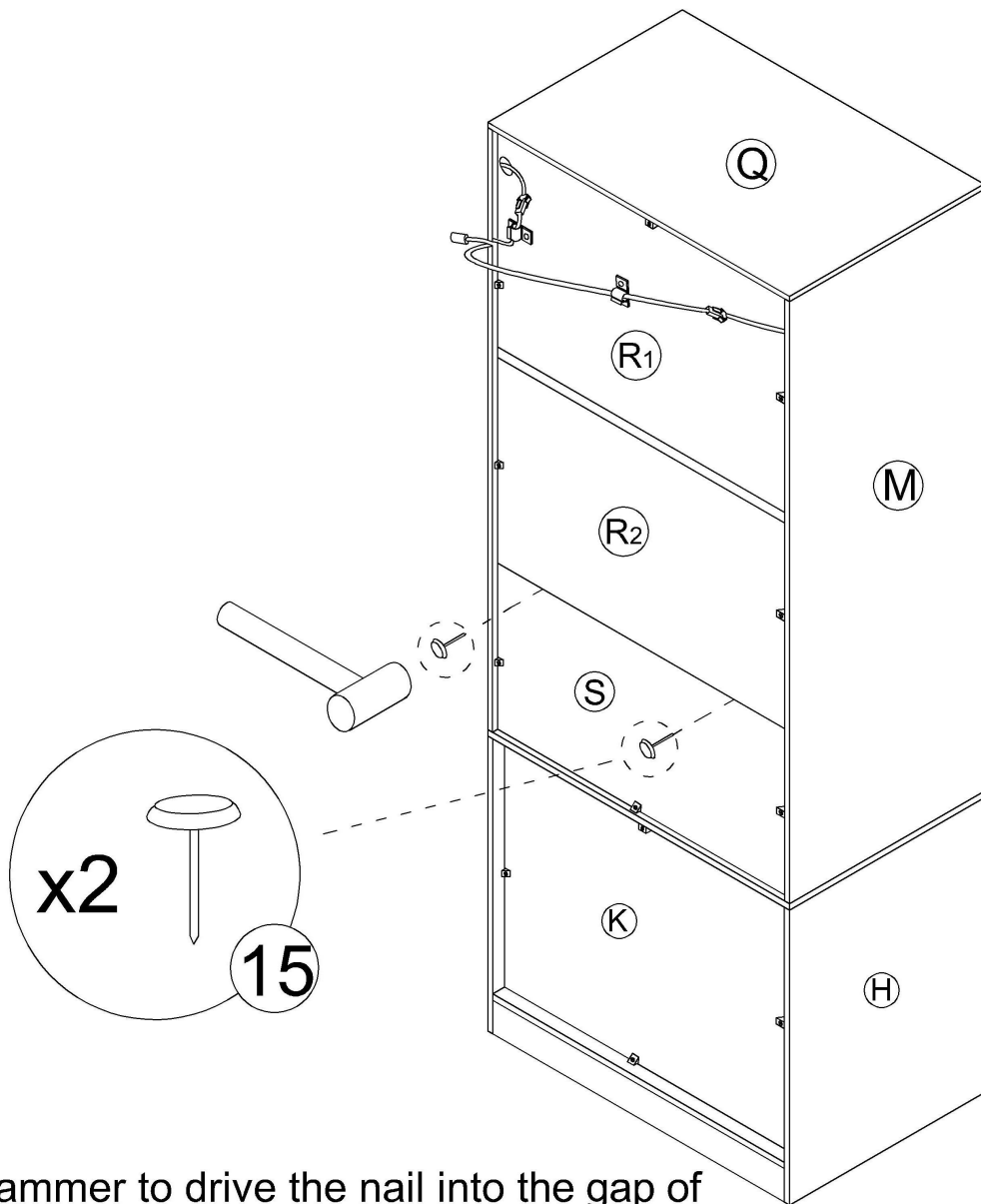
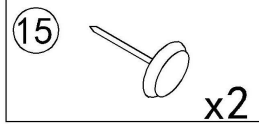
Step 47



Step 48

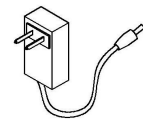


Step 49

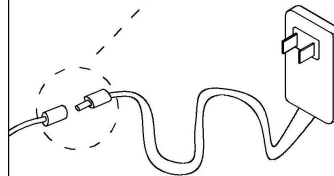
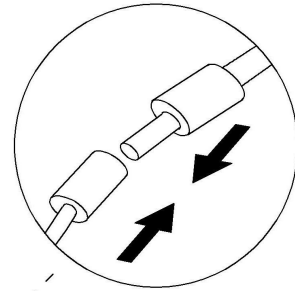
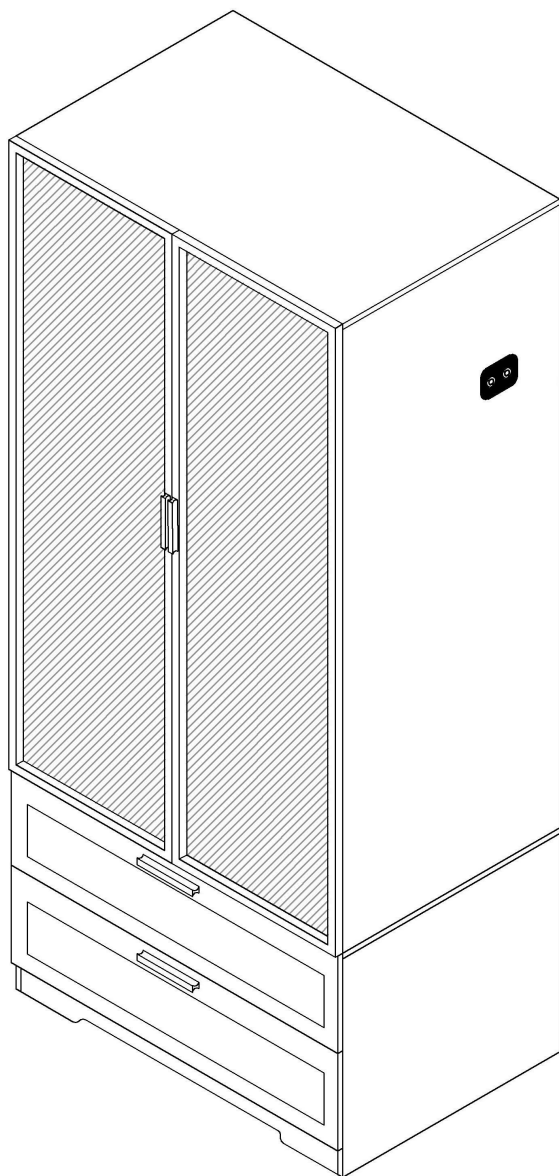


Use a hammer to drive the nail into the gap of the wooden board and fix the back board

Step 50

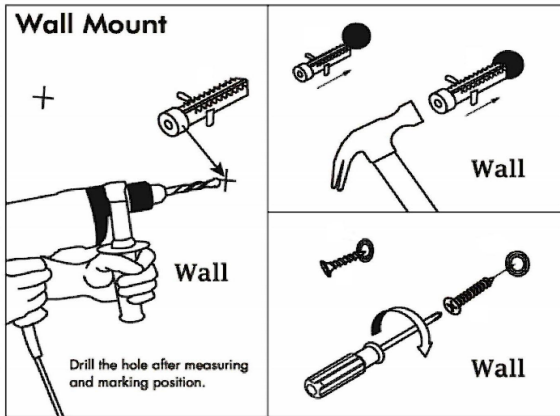


x1



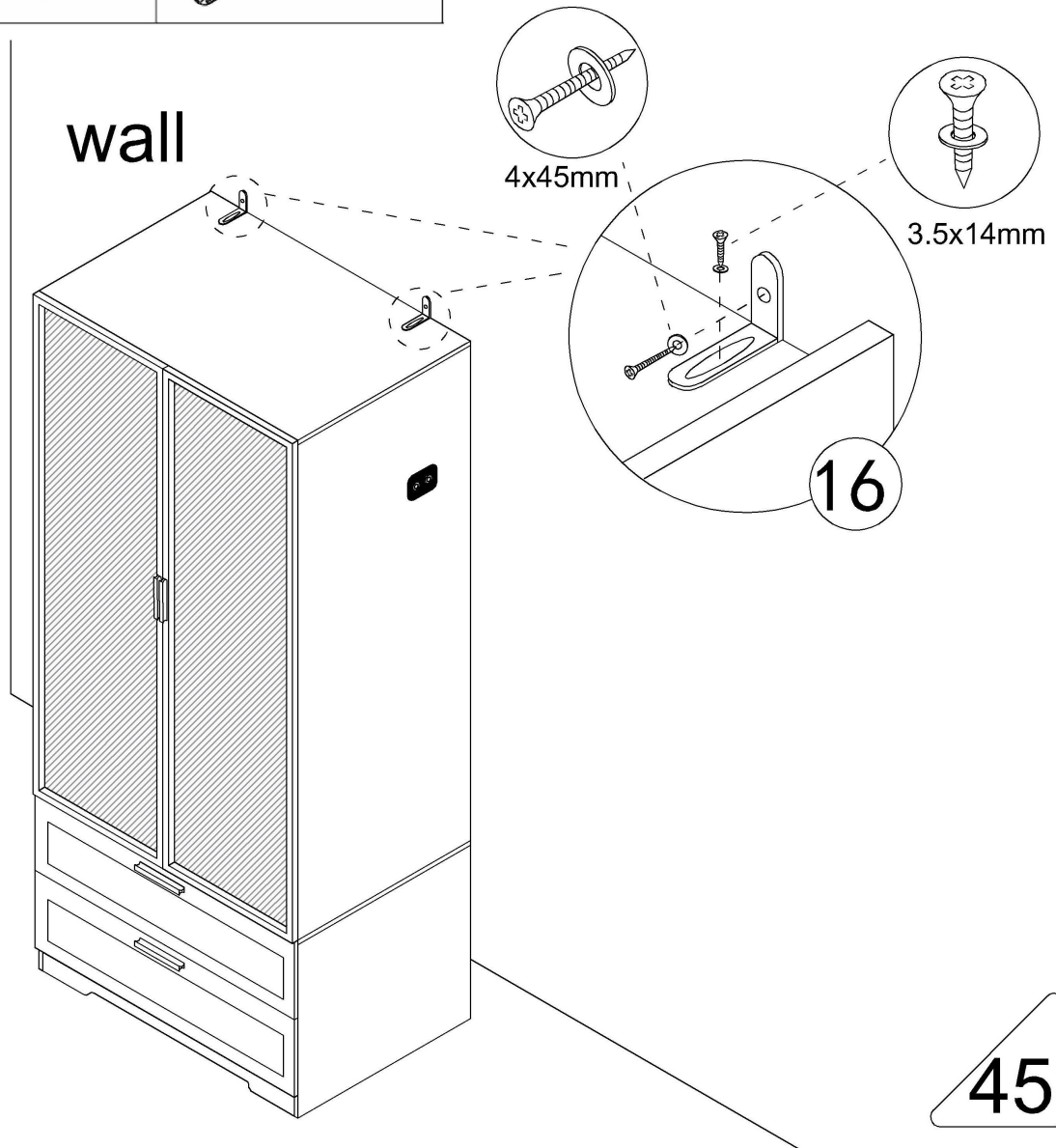
44

# Step 51



- 16
- 4x45mm x2
- 3.5x14mm x2
- 4x45mm x2
- 3.5x14mm x2
- Washer x4

Install as required  
Using a 8mm drill bit



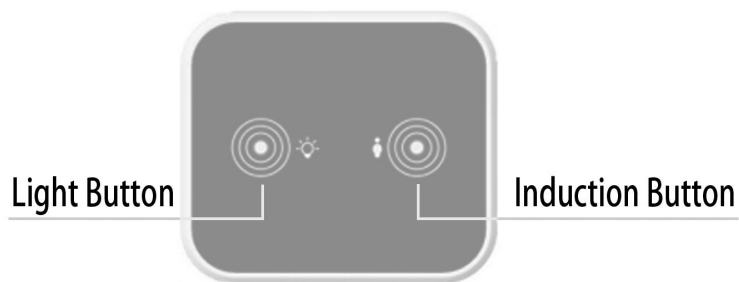
## User's Guide

Thank you for purchasing this product. To use this product, please plug it into a 12V DC power supply. Please use if the product works normally after connecting to power.

## Introduction

The box is an intelligent controller with 2 touch buttons. It can turn ON/OFF the light, change light colors, and adjust the light luminance.

## Product Show



### ATTENTION PLEASE

1. If there is no touch response suddenly, Re-plug the power to reset the touch static electricity.
2. If bubbles appear on the panel, remove the protective film.

## Operation



This touch button is used to turn on/off, change colors, and adjust brightness.

A. Short touch -> lighting on -> short touch -> change light color -> short touch -> change light color -> short touch -> lighting off. B. Long touch -> adjust the luminance



This touch button is used to turn on/off the induction function.

A. Short touch to turn on the induction function. It can auto-turn on the light when people are close to the controller in 4 meters. It can auto power off the light when the body is far away from the controller after 30 seconds.

B. Long touch to turn off the induction function.

C. Note: When you touch the light button to change the light modes, the induction function will automatically turn off. It is best to turn on this function after selecting the light color and adjusting the brightness you want.