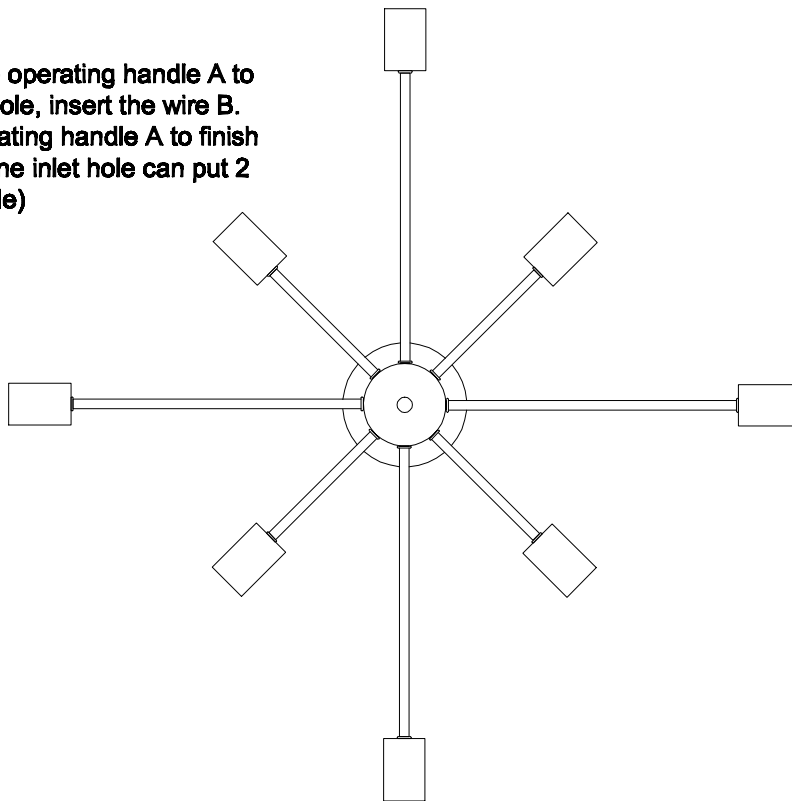


1. Pull the orange operating handle A to open the inlet hole, insert the wire B.
2. Press the operating handle A to finish wiring. (Note: one inlet hole can put 2 or 3 wires inside)



1. Install the tube 2 to the base 1 with nut 3.
2. Connect all the wires by parallel with connectors 4 (all live line-L use one connector, and neutral Line-N use another connector)
3. Install the cover 6 on the base 1 with nut 6
4. Install the bracket on the ceiling with screw and explore tube 7
5. Connect the wire with connector 8 to your home line
6. Install the whole fixture to the bracket with nut 9
7. Install the bulbs 10

Please read carefully before installation!!!

**Note : Please make sure that the electricity is powered off during installation !
Only a professional electrician should install this kind of product !**