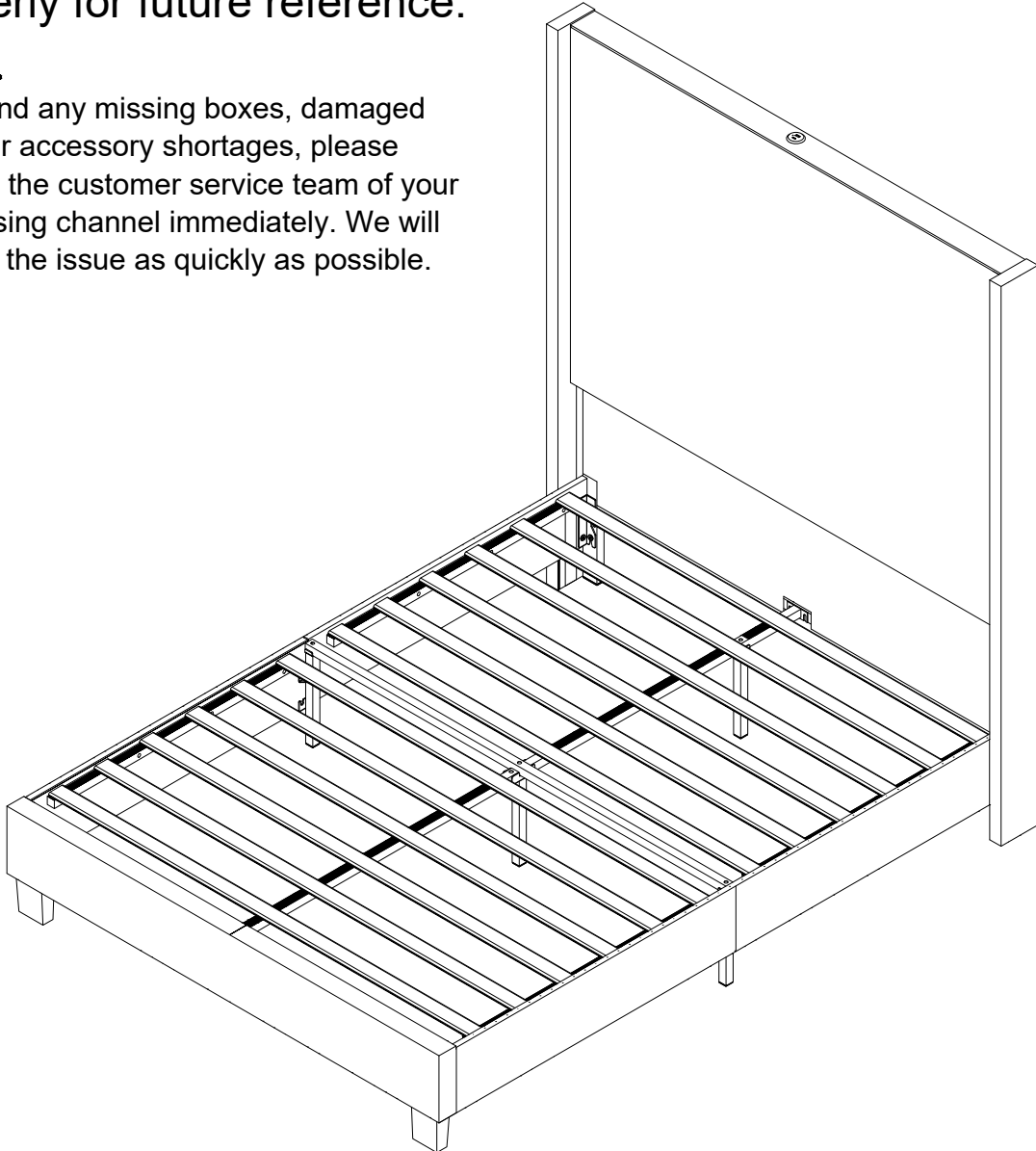


# Bed

Assembly Instruction - Please keep properly for future reference.

—  
If you find any missing boxes, damaged parts, or accessory shortages, please contact the customer service team of your purchasing channel immediately. We will resolve the issue as quickly as possible.



## CONTACT US

---

In order to receive assistance more quickly, please provide

---

### THE FOLLOWING INFORMATION:

---

- Order number
  - Purchase platform
  - Purchase date
  - Detailed description of the issue along with photos (if applicable)
- 

Important – Please read these instructions carefully before starting the installation.

**EN**

## General Guidelines

- Please read the following instructions carefully and use the product accordingly.
- Please keep this manual and hand it over when you transfer the product.
- This summary may not include every detail of all variations and considered steps. Please contact us when further information and help are needed.

## Notes

- Product is intended for indoor use only. It must be assembled and used according to the instructions. The seller does not accept any responsibility for damage or injury resulting from improper assembly or use.
- Please avoid long-term exposure to humid environment to prevent mildew.
- During assembly, align all screws with the corresponding pre-drilled holes first and then tighten them one by one.
- Inspect the screws regularly. Screws may become loose during long-term use. If necessary, retighten them to ensure stability and security.

## Warnings

- Children are not allowed to assemble the product. During assembly, keep any small part out of reach of children as they may be fatal if swallowed or inhaled.
- Children are not allowed to stand, climb or play on the product to avoid serious bodily injury by the toppling.
- Keep plastic packing bags out of reach of children to avoid any potential danger, such as suffocation.
- Avoid sharp objects and corrosive chemicals to prevent damage to the product or bodily injury.

**DE**

## Einleitung

- Bitte lesen Sie die folgende Anleitung aufmerksam durch und verwenden Sie das Produkt sachgemäß.
- Bewahren Sie diese Anleitung gut auf und händigen Sie sie bei Weitergabe des Produkts an Dritte ebenfalls mit aus.
- Aus Gründen der Übersicht können nicht alle Details zu allen Varianten und denkbaren Montagen beschrieben werden. Wenn Sie weitere Informationen und Hilfe benötigen, kontaktieren Sie uns bitte.

## Hinweise

- Dieses Produkt ist nur für den Gebrauch in Innenräumen vorgesehen. Eine andere Verwendung als beschrieben, oder eine Veränderung/ein Umbau des Produkts ist nicht erlaubt und kann zu Verletzungen und/oder Beschädigungen des Produkts führen. Der Händler übernimmt keine Haftung für Schäden, die durch unsachgemäßen Gebrauch oder falsche Montage entstanden sind.
- Halten Sie das Produkt nicht langfristig in einer feuchten Umgebung, um Schimmel zu vermeiden.
- Ziehen Sie die Schrauben bitte zuerst nicht an. Nachdem Sie alle Schrauben eingesetzt haben, schrauben Sie sie erst vorsichtig fest.
- Prüfen Sie regelmäßig den festen Sitz der Schrauben und Verbindungen, falls notwendig nachziehen.

## Warnhinweise

- Halten Sie Kinder bei der Montage fern, da Kleinteile bei Verschlucken oder Einatmen tödlich sein können.
- Um mögliche Körperverletzungen zu vermeiden, ist es Kindern verboten, auf diesem Produkt zu klettern oder damit zu spielen.
- Schützen Sie Ihre Kinder von Verpackungsteile wie Folien oder Plastikbeutel fern, da Verpackungsteile oft nicht erkennbare Gefahren bergen (z. B. Erstickungsgefahr).
- Halten Sie spitze Gegenstände und ätzende Chemikalien vom Produkt fern, da diese die Oberfläche beschädigen können.

**FR**

## Introduction

- Lisez attentivement ces instructions et utilisez votre produit d'après ce mode d'emploi.
- Conservez ces instructions. Si vous souhaitez offrir ce produit à un tiers, joignez obligatoirement ce mode d'emploi.
- Pour des raisons de clarté, les détails concernant chaque variante ou montage envisageable ne peuvent être tous décrits. Si vous souhaitez obtenir plus d'informations ou si vous rencontrez certains problèmes non traités de manière détaillée dans ces instructions, veuillez nous contacter.

## Notes

- Ce produit est conçu pour une utilisation à l'intérieur. Le produit doit être monté et utilisé d'après ce mode d'emploi. Les utilisations qui ne correspondent pas à la description ci-dessus ou les modifications de l'article ne sont pas autorisées. Le vendeur ne prend aucune responsabilité des dommages causés par un montage incorrect ou une utilisation non conforme.
- Évitez de placer le produit dans un environnement humide pendant une longue durée car peut provoquer de la moisissure.
- Lors du montage, veuillez bien positionner et régler toutes les vis et les écrous, ensuite effectuer un serrage progressif de l'ensemble des vis.
- Il est conseillé de vérifier régulièrement les vis qui pourraient se desserrer progressivement pendant l'utilisation, ce qui risque de provoquer des dommages causés par un renversement du produit. Veuillez donc à vous assurer que les vis sont bien serrées.

## Avvertissements

- Il est interdit aux enfants de participer à l'assemblage du produit car il comprend de nombreuses petites pièces et l'aspiration ou l'ingestion de ces pièces présente un risque mortel.
- Ne pas laissez les enfants monter ou jouer sur le produit pour éviter des blessures causés par le renversement du produit.
- Pour éviter le danger inattendu (ex. l'étouffement), gardez toutes pièces et l'emballage (films, sac plastiques, polystyrènes, etc.) loin des enfants.
- Éloignez les objets pointus ou corrosifs du produit pour éviter les dommages possibles.

**IT**

## Linee guida generali

- Si prega di leggere attentamente le seguenti istruzioni e usare il prodotto in modo opportuno.
- Si prega di conservare questo manuale e consegnarlo quando il prodotto cambia proprietario.
- Questo riassunto potrebbe non includere ogni dettaglio di tutte le variazioni e le fasi considerate. Contattaci se hai bisogno di ulteriori informazioni e assistenza.

## Note

- Il prodotto è inteso esclusivamente per uso interno. Deve essere assemblato e usato come descritto nelle istruzioni. Il rivenditore non accetta alcuna responsabilità per danni o infortuni risultanti da assemblaggio o uso improprio.
- Si prega di evitare esposizione prolungata a ambienti umidi per prevenire la formazione di muffa.
- Durante l'assemblaggio, allineare tutte le viti con i fori corrispondenti, quindi stringerle una ad una.
- Controllare regolarmente le viti. Potrebbero allentarsi dopo lunghi periodi d'uso. Se necessario, stringerle nuovamente per garantire stabilità e sicurezza.

## Avvertenze

- I bambini non possono assemblare il prodotto. Durante l'assemblaggio, tenere le parti di piccole dimensioni fuori dalla portata dei bambini, potrebbero essere fatali se ingerite o inalate.
- Impedire ai bambini di salire in piedi, arrampicarsi o giocare sul prodotto per evitare infortuni gravi causati dalla caduta.
- Tenere le borse di plastica dell'imballaggio fuori dalla portata dei bambini per evitare qualsiasi potenziale rischio, come il soffocamento.
- Fare attenzione a oggetti appuntiti e sostanze corrosive per prevenire danni e infortuni.

**ES**

## Acerca del manual

- Por favor, lea detenidamente las instrucciones y respete los debidos usos del producto.
- Por favor, conserve bien este manual y en caso de cesión, no omita entregarlo junto al producto.
- Este manual podría no incluir todos los detalles de cada paso del montaje. Si necesita ayuda o información adicional, póngase en contacto con nosotros.

## Notas

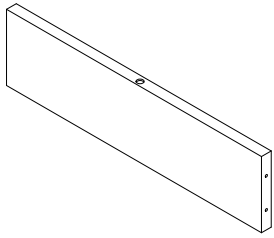
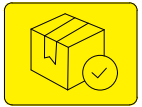
- Este producto está diseñado para uso interior. Ha de montarse y utilizarse el producto paso a paso siguiendo las instrucciones. De lo contrario, el vendedor no asume ninguna responsabilidad por los daños causados por el montaje y usos inadecuados.
- No coloque el producto en un ambiente húmedo durante un largo período de tiempo para evitar causar moho.
- Durante el montaje, por favor, no apriete completamente ningún tornillo, después de completar la instalación, apriete fuertemente todos los tornillos.
- Inspeccione regularmente los tornillos. Durante el uso, los tornillos tal vez se vayan soltando, causarán daños por la caída del producto, por eso asegure que todos los tornillos estén apretados.

## Advertencias

- Debido a múltiples tornillos y otras piezas pequeñas, no permita que se acerquen los niños por el riesgo de asfixia producido por tragar alguna pieza.
- No permita que el niño se suba o juegue con el producto para prevenir las lesiones causadas por la caída del producto.
- Guarde la bolsa de plástico fuera del alcance de los niños para evitar el peligro de asfixia.
- Mantenga el producto alejado de los objetos afilados y sustancias químicas agresivas.

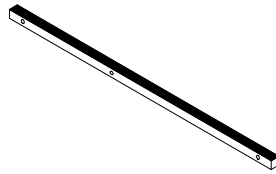
# Parts List

# BOX A



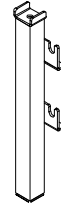
1

x1



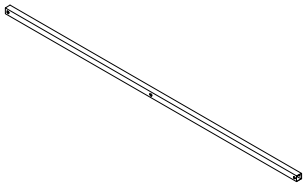
2

x4



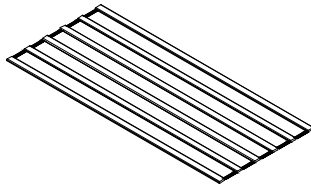
3

x2



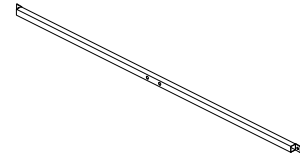
4

x1



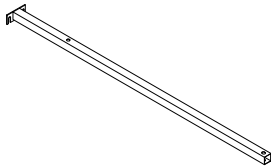
5

x2



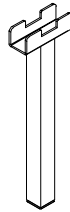
6

x1



7

x1



8

x1



9

x1



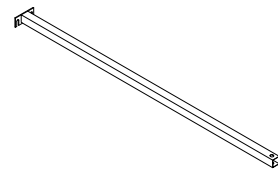
10

x1



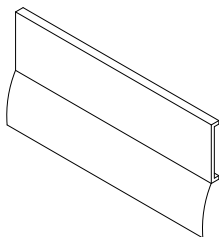
11

x1



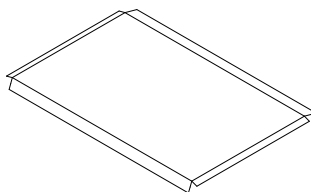
12

x1



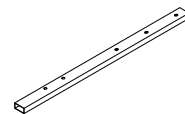
13

x1



14

x1

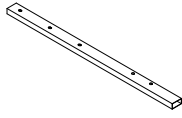
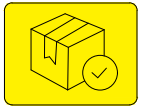


15

x1

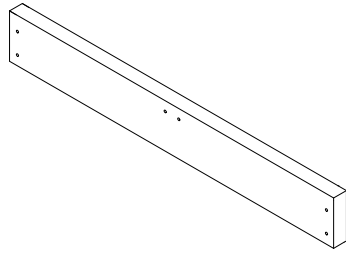
# Parts List

# BOX A



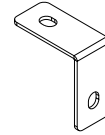
16

x1



17

x1



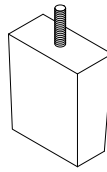
18

x2



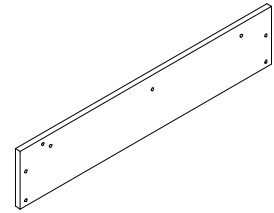
19

x2



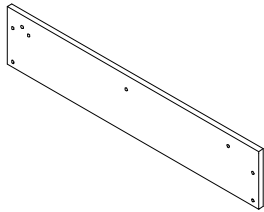
20

x2



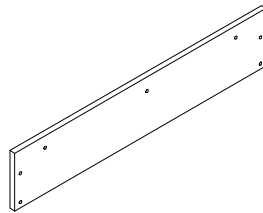
21

x1



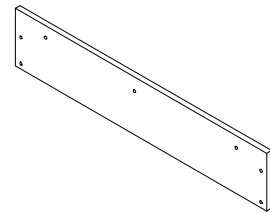
22

x1



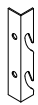
23

x1



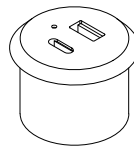
24

x1



25

x2

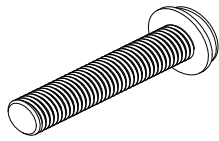
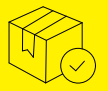


26

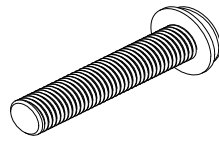
x1

# Parts List

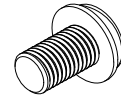
# BOX A



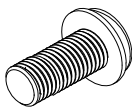
**A** M8\*50mm x1



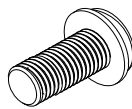
**B** M8\*40mm x34



**C** M8\*15mm x16



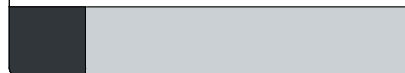
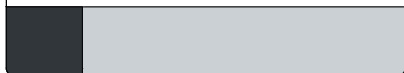
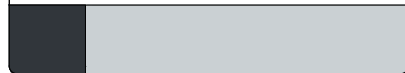
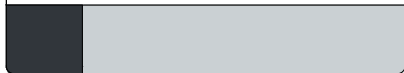
**D** M8\*20mm x8



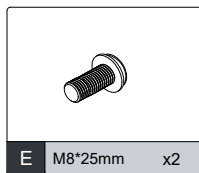
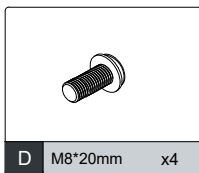
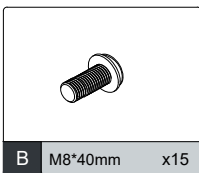
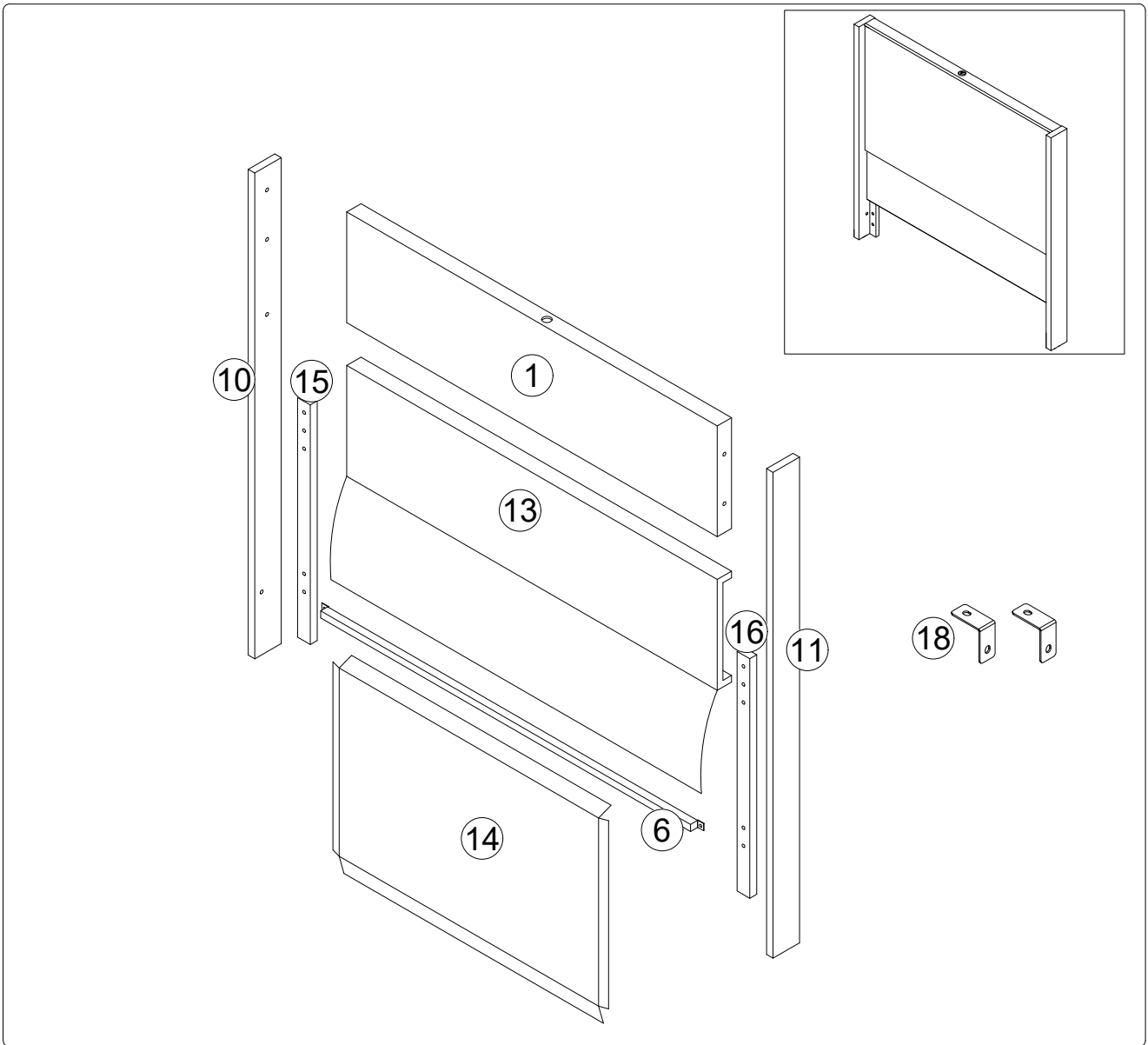
**E** M8\*25mm x10



**F** M5mm x1



# Headboard Section Installation



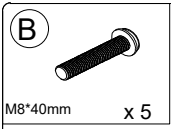
The headboard section assembly requires a total of labeled panels shown in the diagram. Please locate all of them and prepare them for use.

## Note:

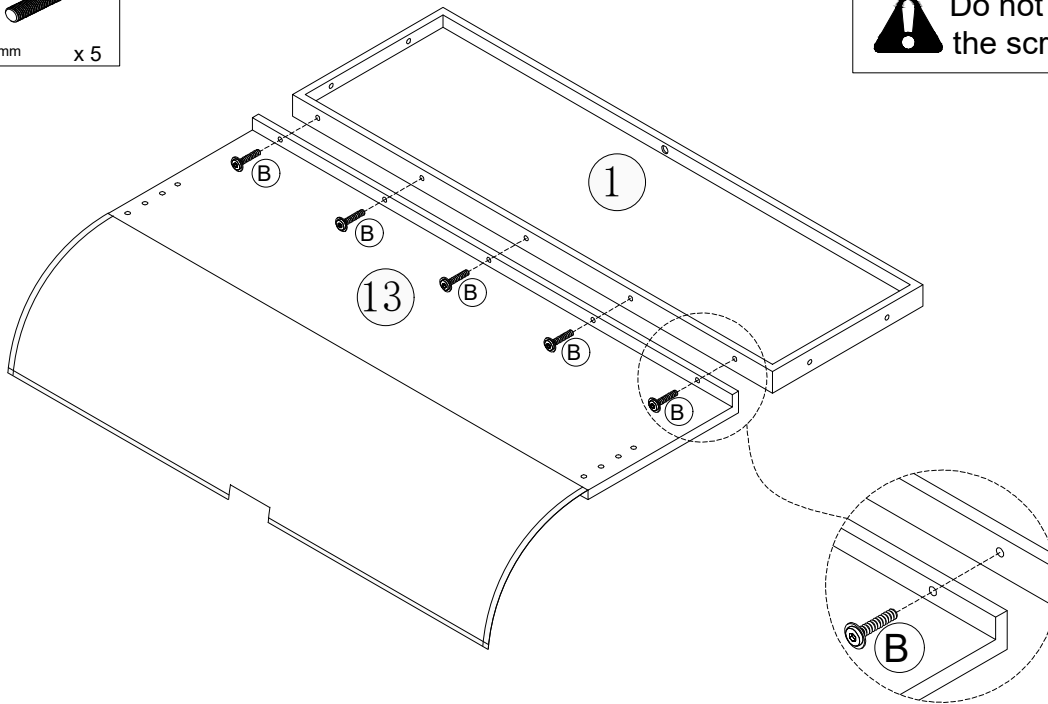
Ensure all hardware components are accounted for before beginning assembly. Missing or damaged hardware should be reported to customer service for replacement.

## Step 1

## Headboard Section



**!** Do not fully tighten the screws yet.

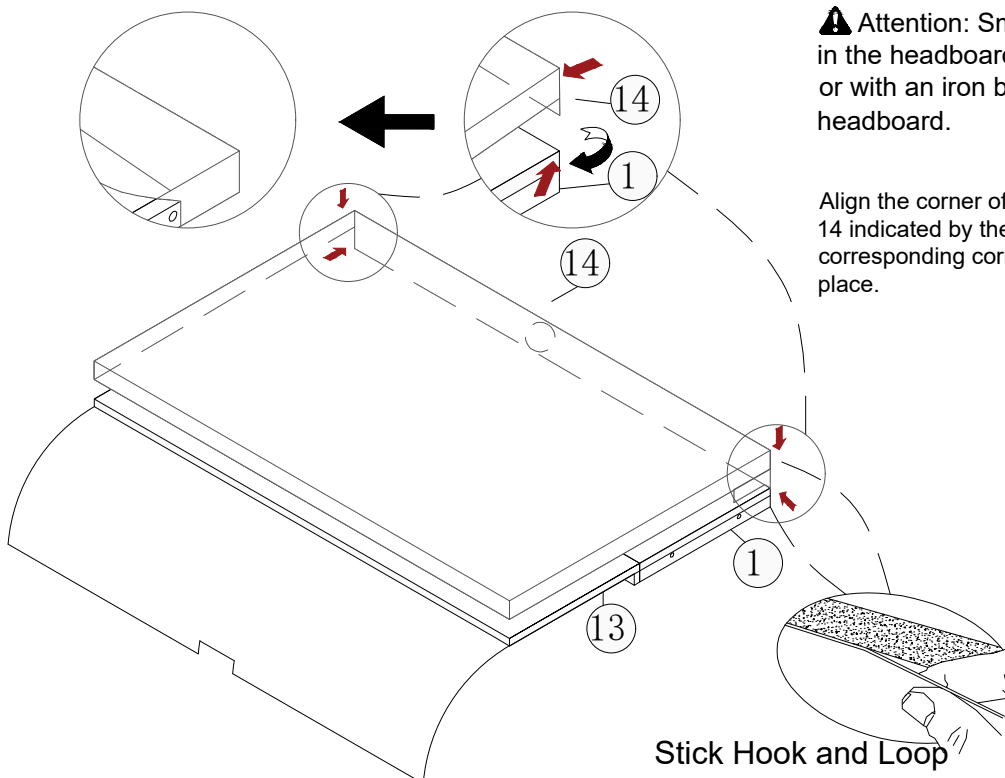


## Step 2

## Headboard Section

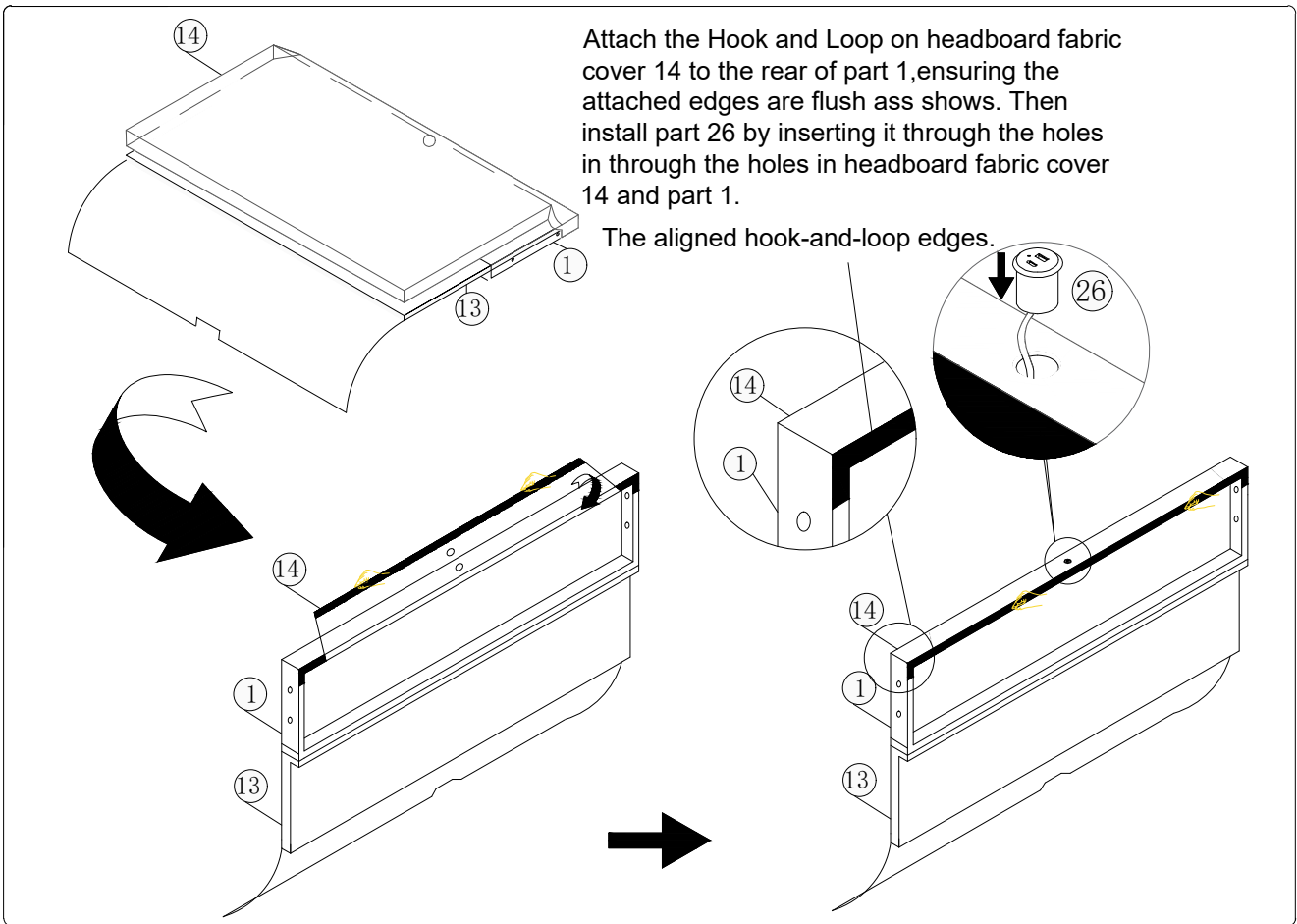
**!** Attention: Smooth out any wrinkles in the headboard fabric cover by hand or with an iron before placing it on the headboard.

Align the corner of Headboard Fabric Cover 14 indicated by the arrow with the corresponding corner on Part 1 and fit it into place.



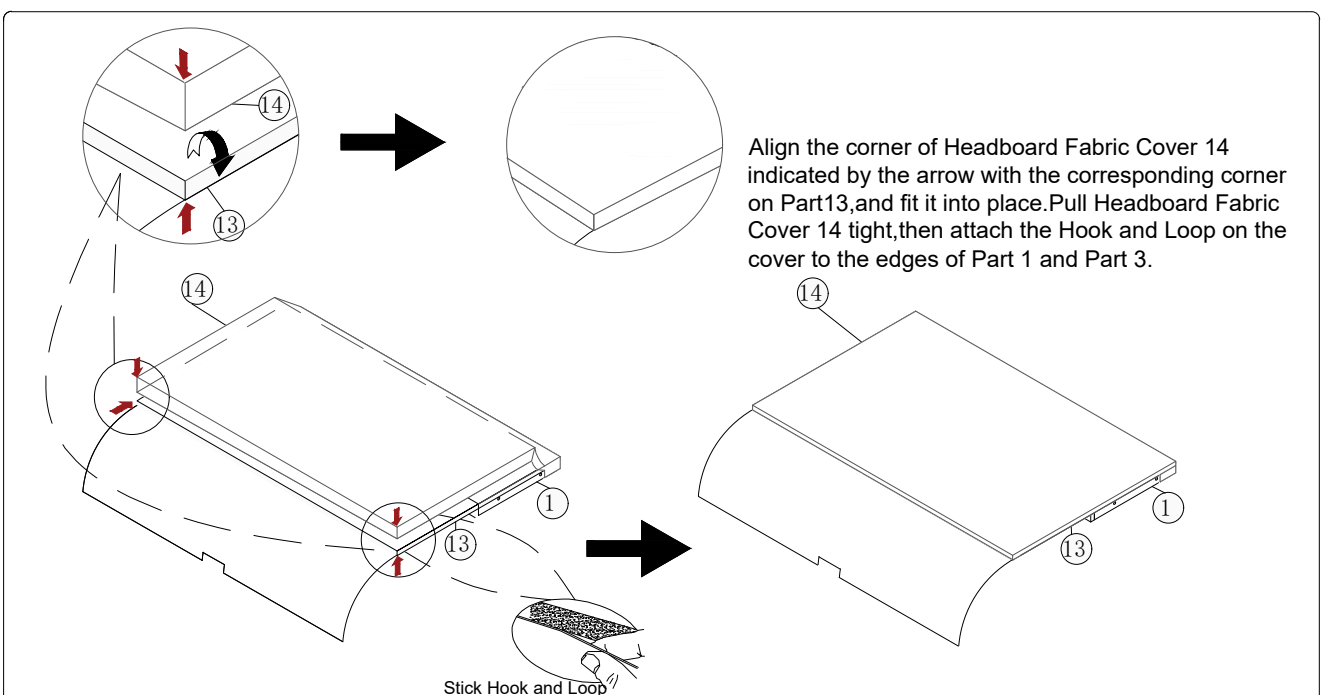
### Step 3

### Headboard Section



### Step 4

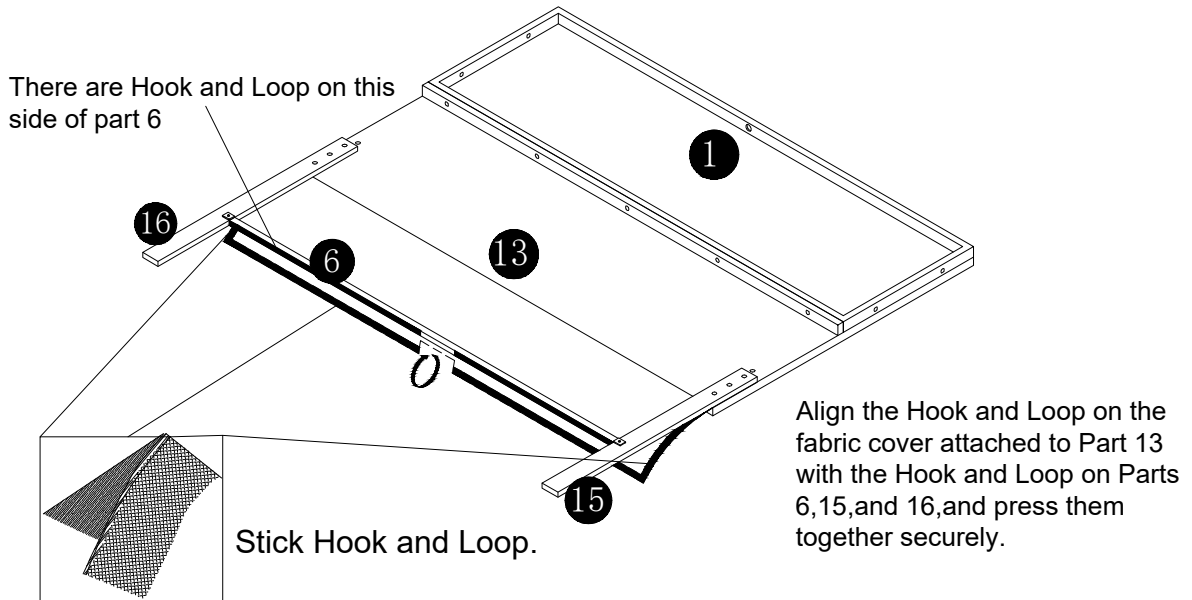
### Headboard Section





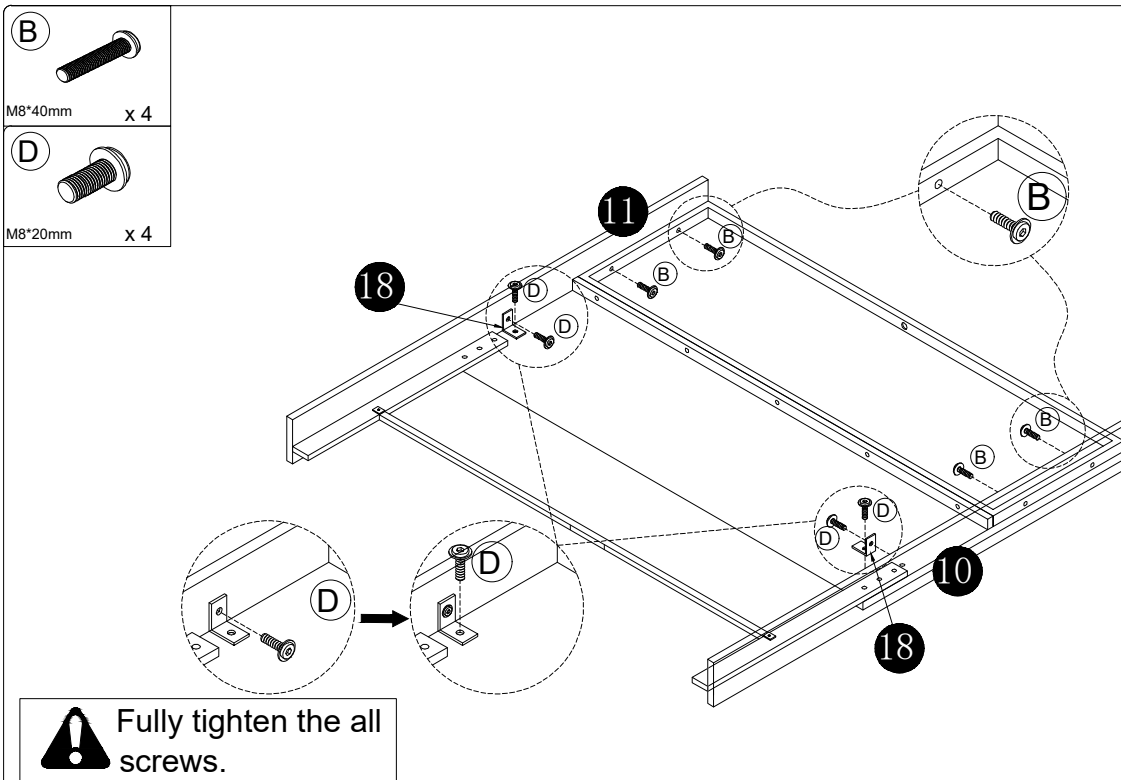
## Step 7

## Headboard Section

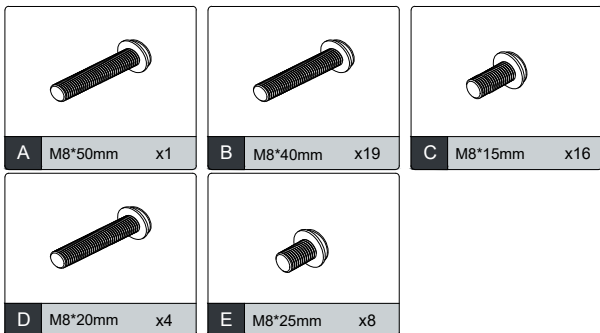
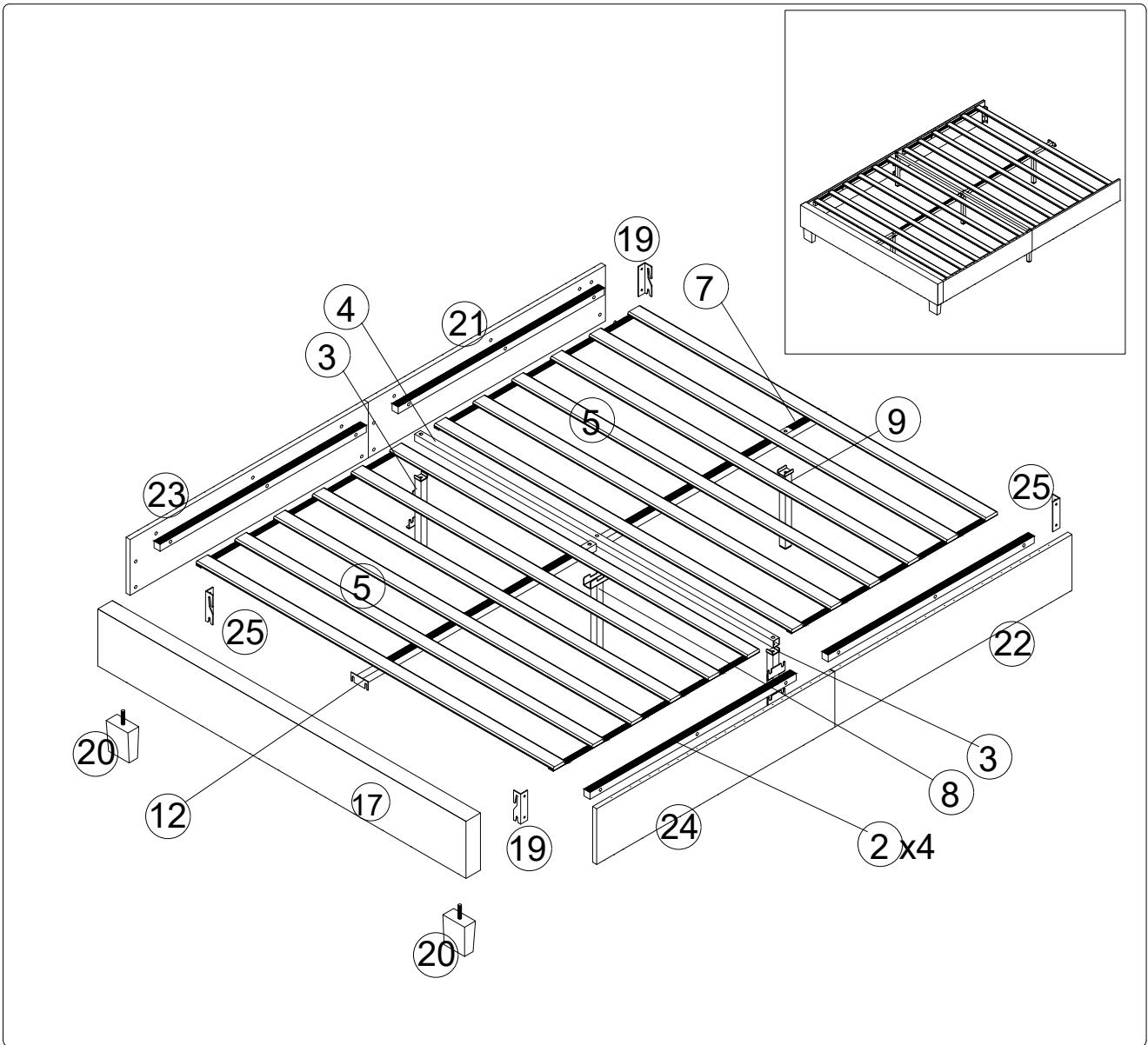


## Step 8

## Headboard Section



# Frame Parts Section Installation



The headboard section assembly requires a total of labeled panels shown in the diagram. Please locate all of them and prepare them for use.

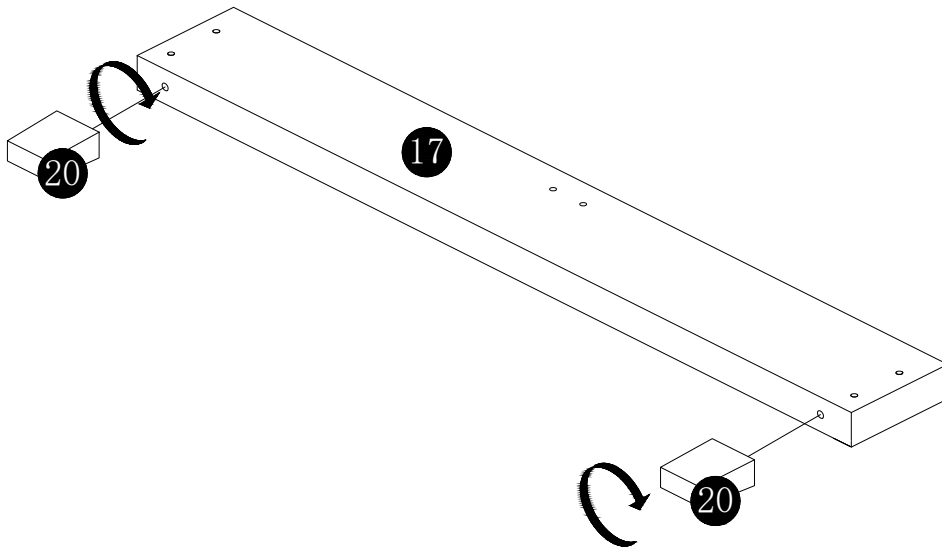
## Note:

Ensure all hardware components are accounted for before beginning assembly. Missing or damaged hardware should be reported to customer service for replacement.

E-Mail: [Furniture\\_CSTM@outlook.com](mailto:Furniture_CSTM@outlook.com)

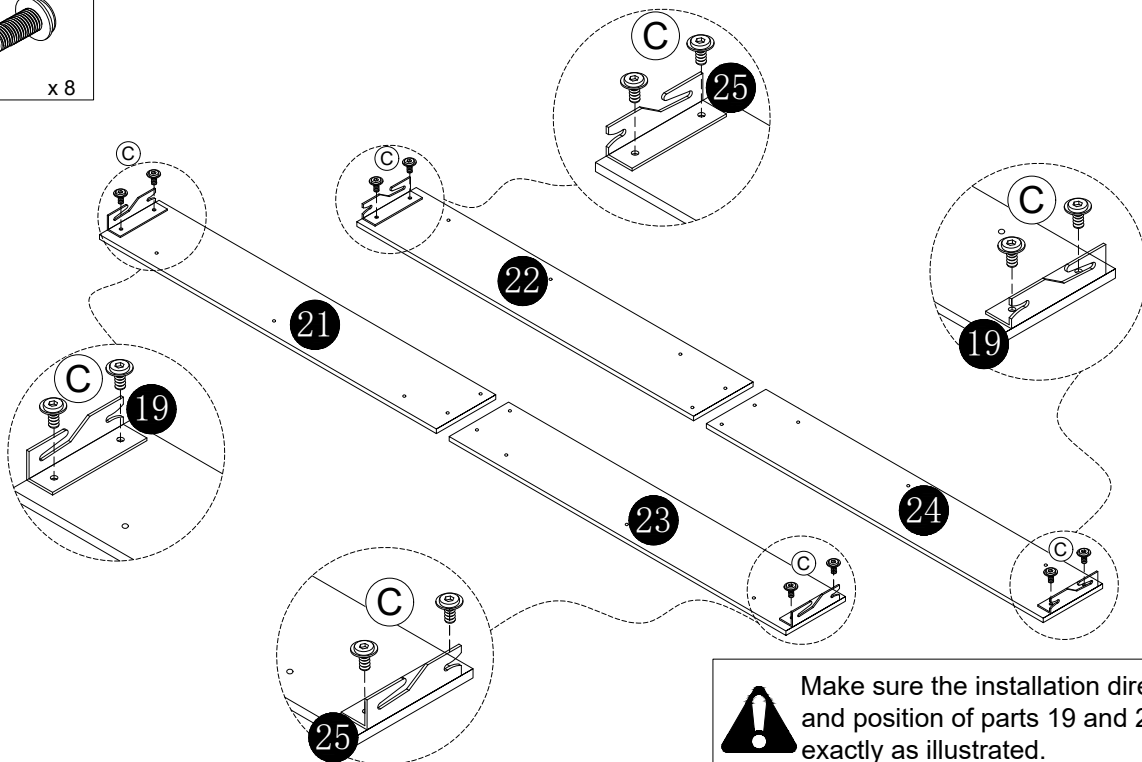
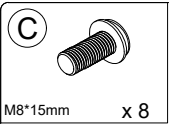
# Step 9

# Frame Parts Section



# Step 10

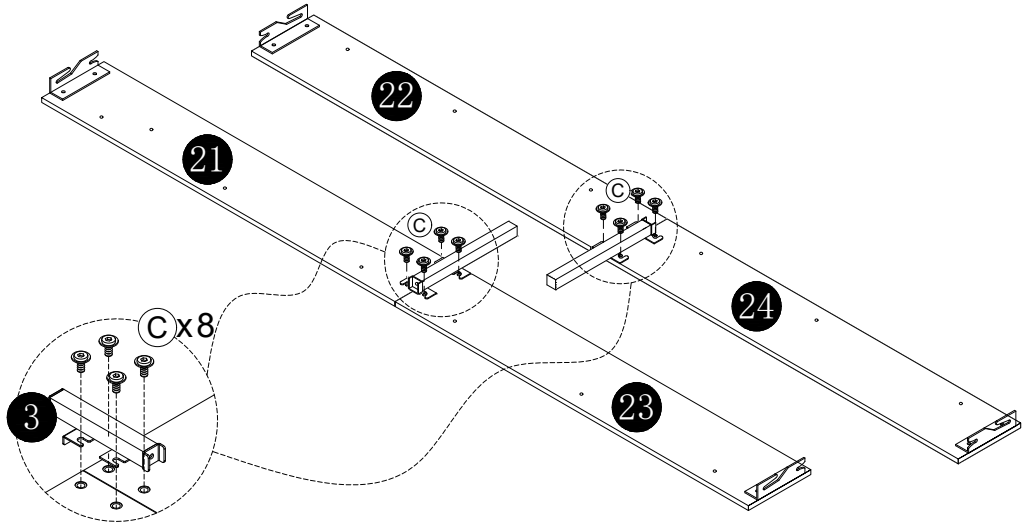
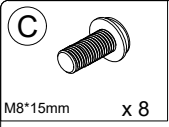
# Frame Parts Section



Make sure the installation direction and position of parts 19 and 25 are exactly as illustrated.

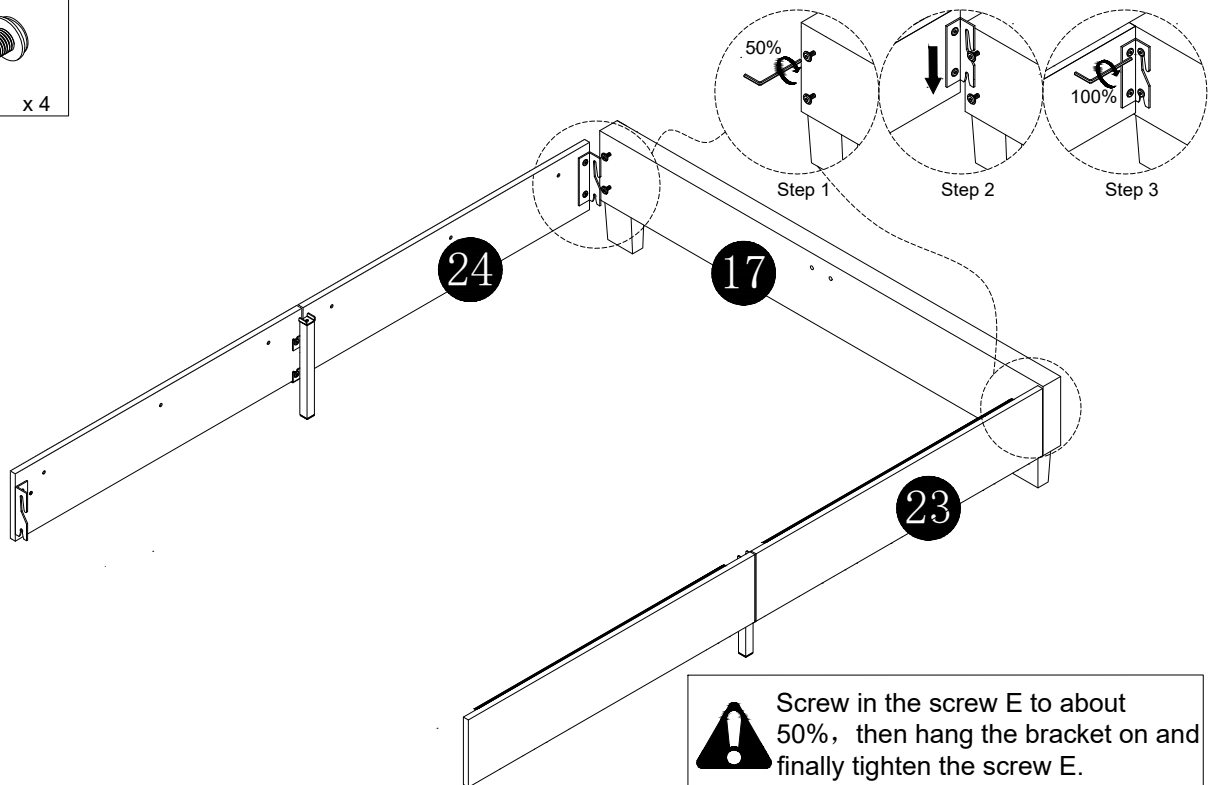
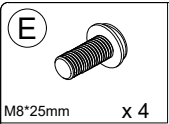
# Step 11

# Frame Parts Section



# Step 12

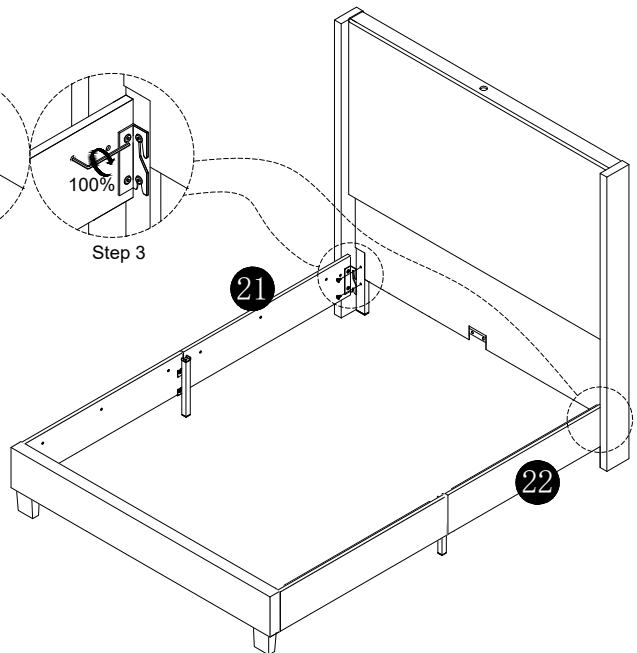
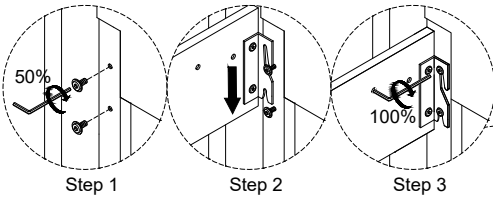
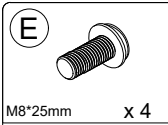
# Frame Parts Section



Screw in the screw E to about 50%, then hang the bracket on and finally tighten the screw E.

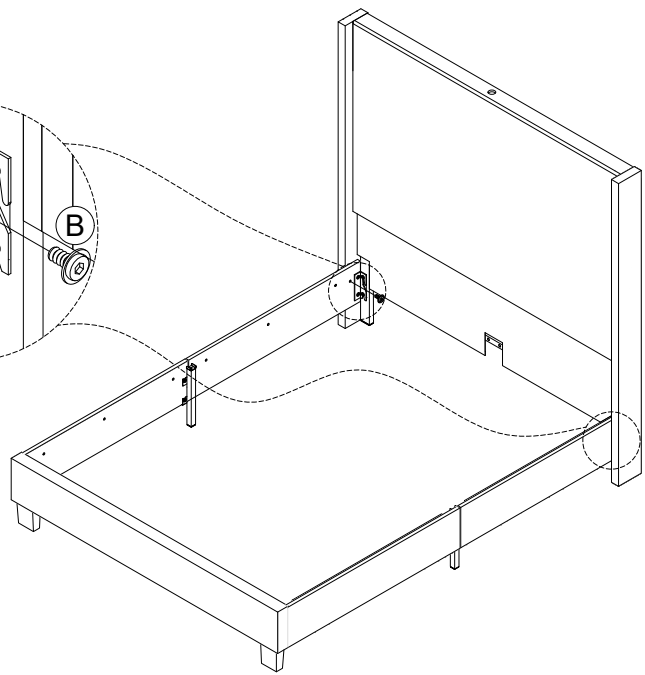
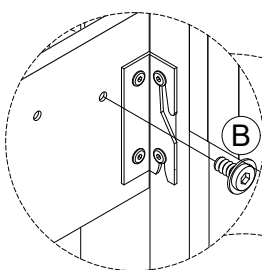
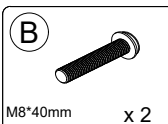
# Step 13

# Frame Parts Section



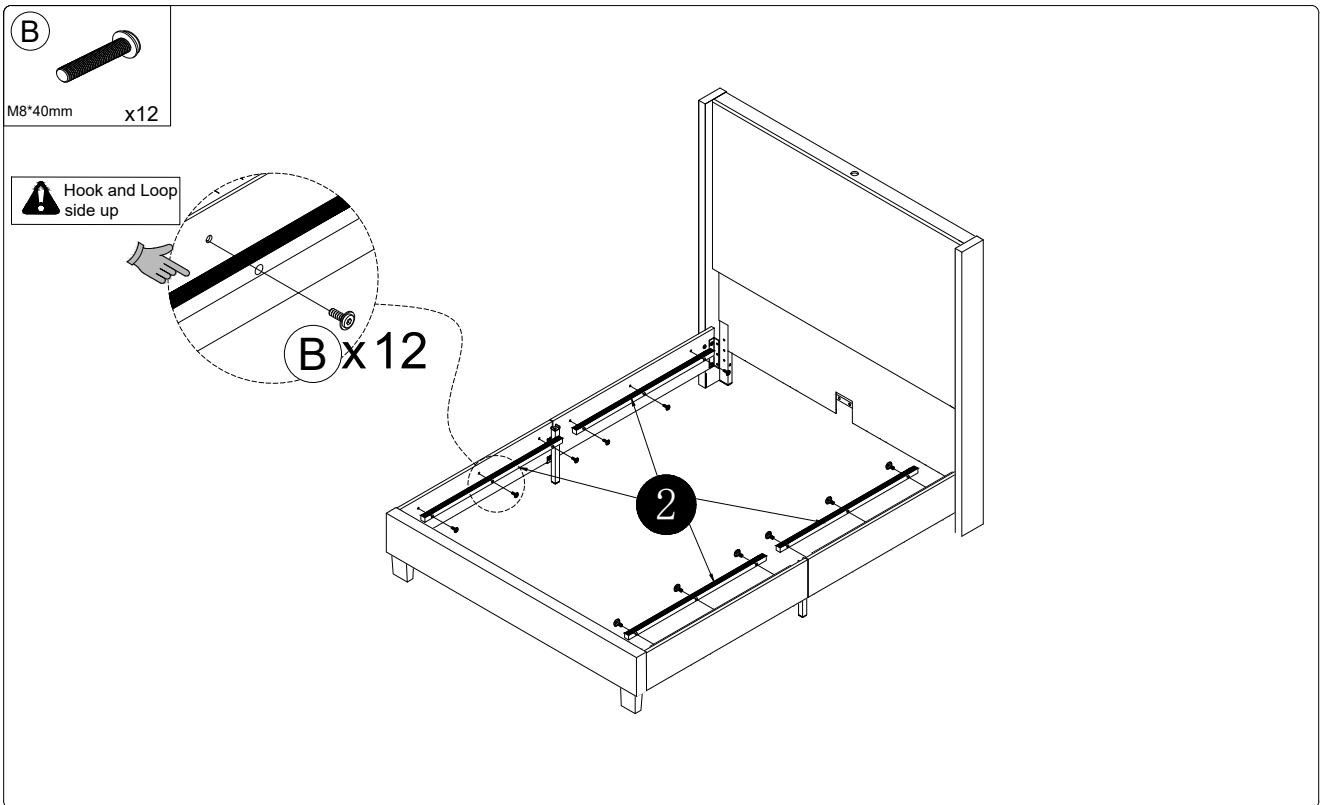
# Step 14

# Frame Parts Section



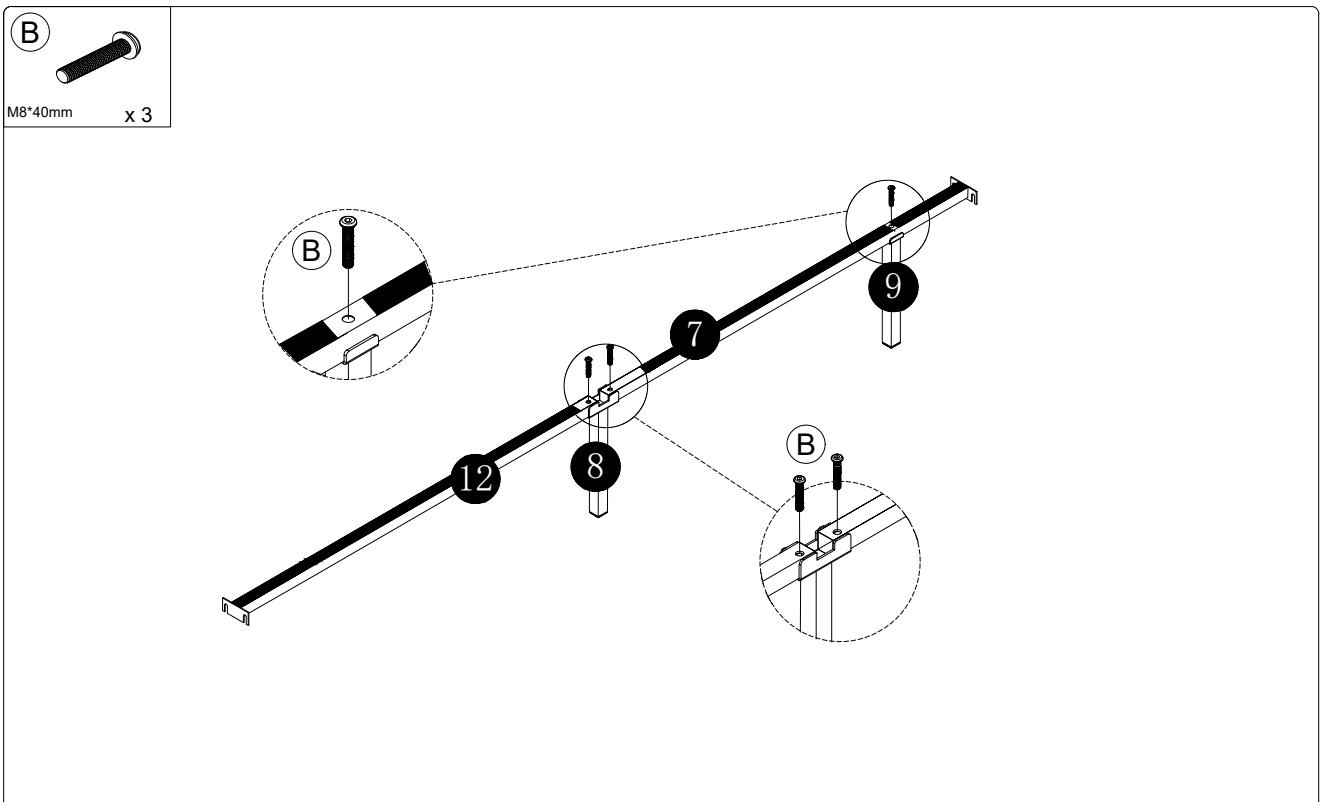
# Step 15

# Frame Parts Section



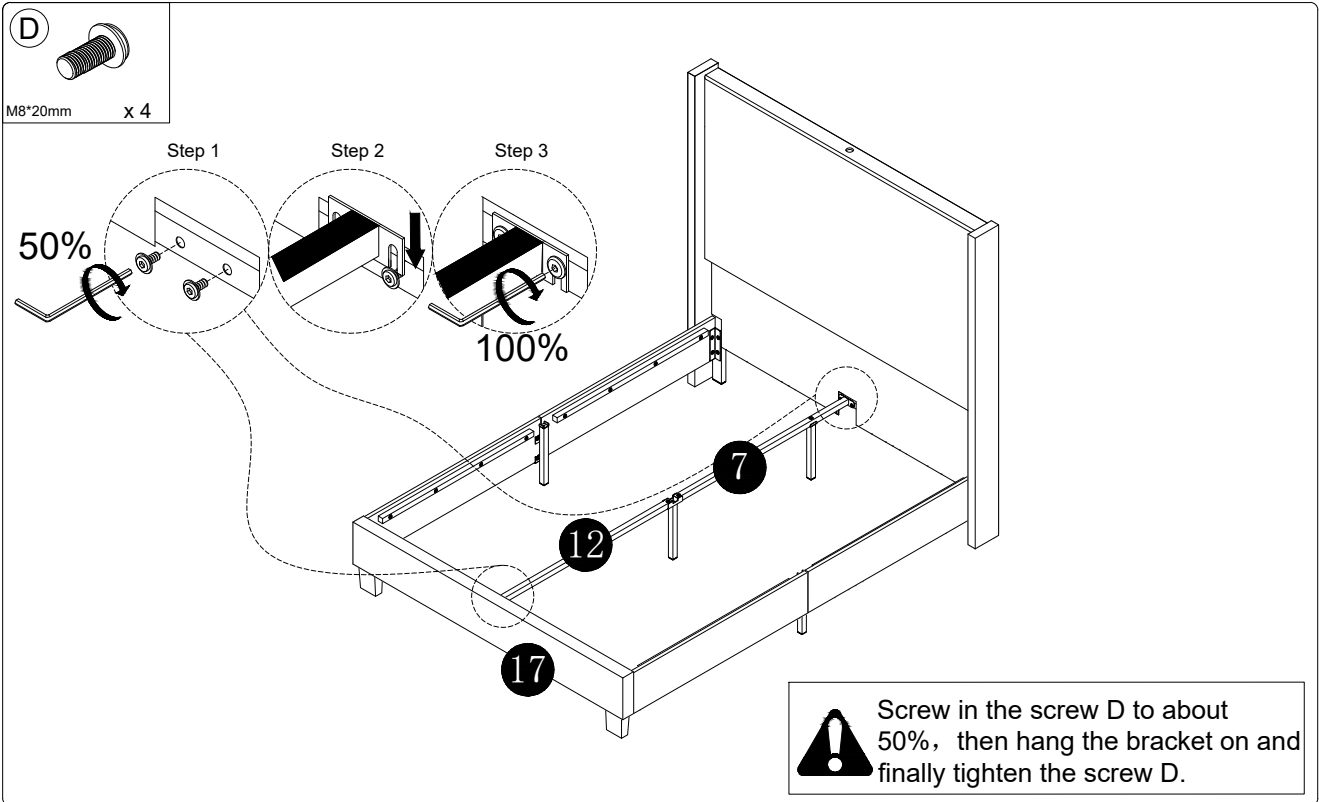
# Step 16

# Frame Parts Section



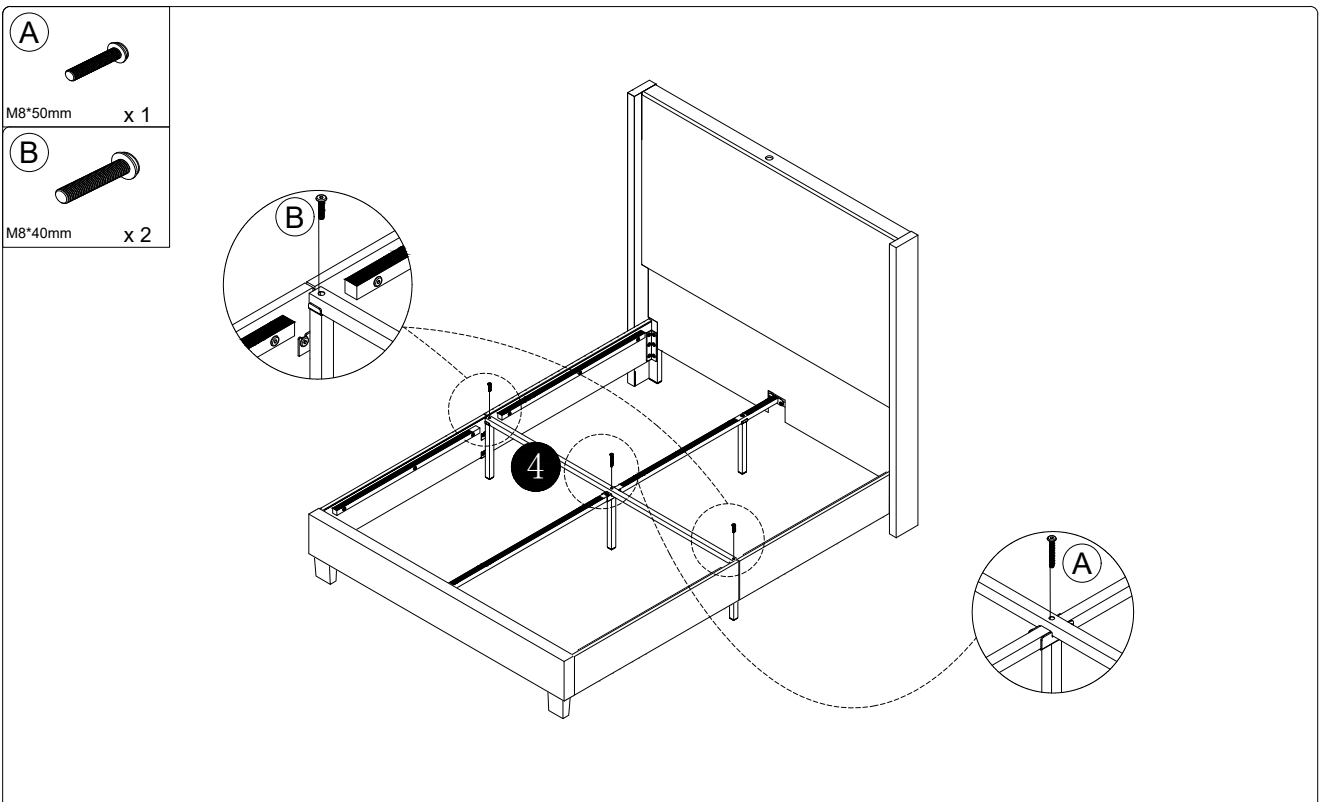
# Step 17

# Frame Parts Section



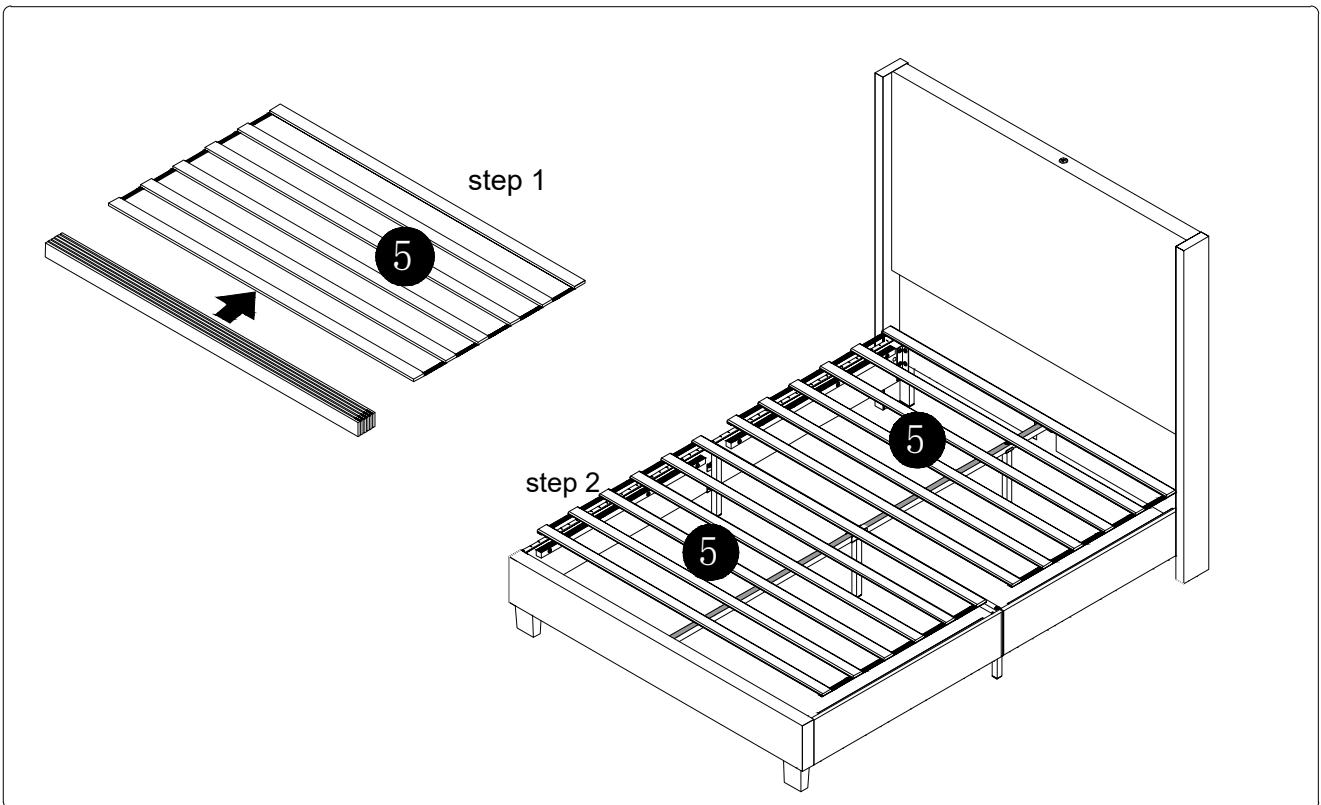
# Step 18

# Frame Parts Section



## Step 19

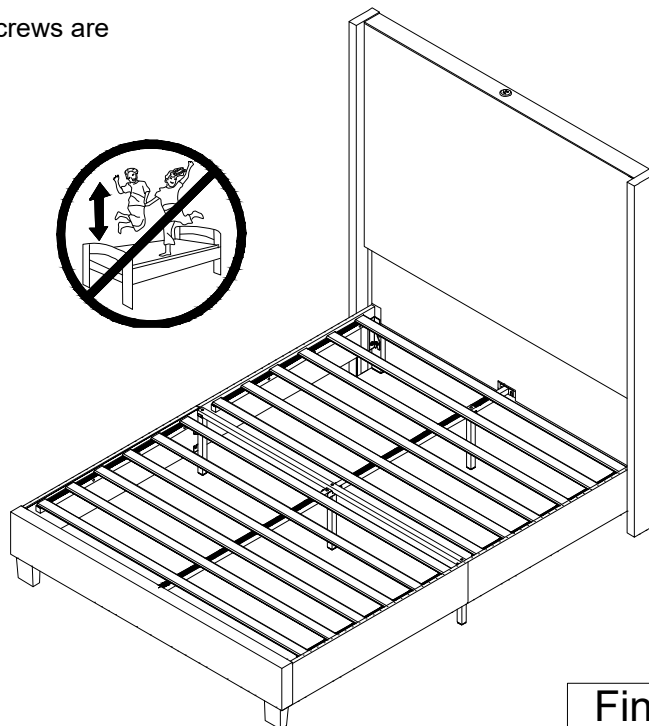
## Frame Parts Section



## Step 20

## Frame Parts Section

Please make sure all screws are tightened securely.



Final Assembly.

# **SAFETY WARNINGS & IMPORTANT NOTES**

## **1.Assembly Safety**

- Ensure all screws, bolts, and parts are securely tightened during assembly.
- Assemble on a flat and clean surface to avoid damage.
- Keep small parts, plastic bags, and tools away from children.

## **2.Usage Safety**

- Maximum weight capacity must not be exceeded.
- Do not allow children to climb or jump on the furniture.
- Avoid placing the product near fire, heat sources, or damp areas.

## **3.Cleaning & Maintenance**

- The fabric cover on the headboard can be removed for cleaning.
- Hand washing is recommended.
- If machine washing is necessary, please place the cover in a laundry bag to avoid damage.
- Do NOT bleach or scrub violently.
- If wrinkles remain after washing, please use an iron to smooth them out.
- Wipe wooden or metal parts with a soft dry or slightly damp cloth.

## **4.General Precautions**

- Regularly check and tighten all screws and fittings.
- Do not use the product if any part is damaged or unstable.
- Use the furniture only for its intended purpose.

# Important Safety & Care Guide

For the longevity of your headboard and to maintain the fabric's quality, please adhere to these cleaning instructions.

## Safe Removal Process:

- 1.Preparation: For safe access, first remove components Part 10 and Part 11 (refer to illustration).
- 2.Removal: Carefully unzip and detach the fabric cover from the headboard structure.

## Fabric Care & Cleaning:

- 1.Recommended Cleaning: Hand wash separately in cold water with a mild detergent.
- 2.Machine Washing (Alternative): If machine washing is necessary, the cover must be placed in a protective laundry bag and washed on a gentle, cold-water cycle only.
- 3.To Prevent Damage: Bleach and abrasive cleaning methods are prohibited. Do not twist or wring the fabric.

## Post-Cleaning Protocol:

- 1.The cover must be air-dried thoroughly before reassembly.
- 2.Wrinkles can be removed by ironing on a low setting once the fabric is completely dry.
- 3.Reassembly: Ensure the clean, dry cover is fully secured onto the headboard before reinstalling Part 6 and Part 7.

