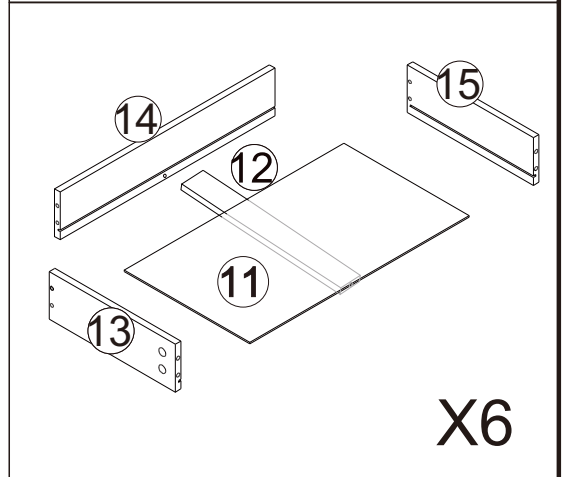
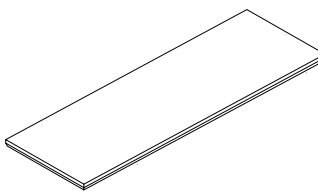
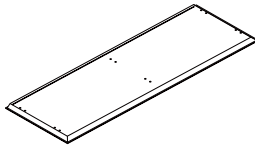

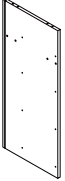
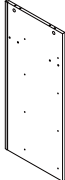
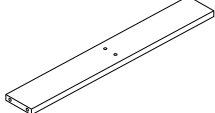
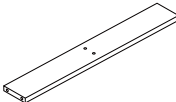
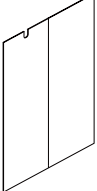
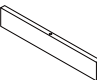
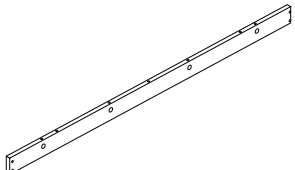

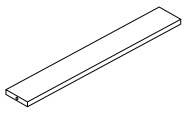
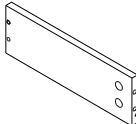
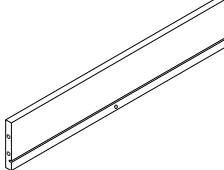
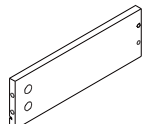
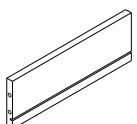

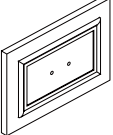
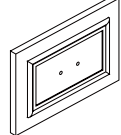
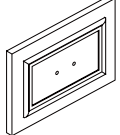
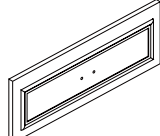
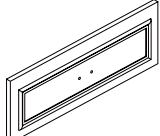
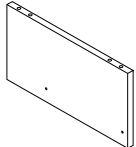


X4

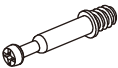

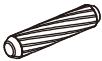
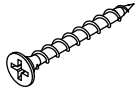


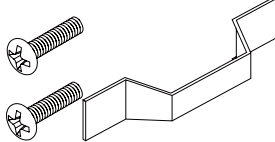
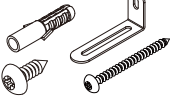
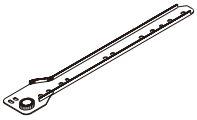
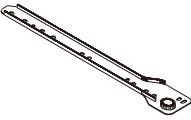
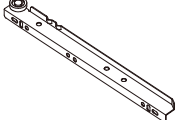
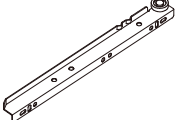
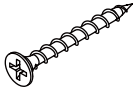


X6

# Parts and Operation Elements

			
① 1pc	② 1pc	③ 1pc	④ 1pc
			
⑤ 1pc	⑥ 2pcs	⑦ 2pcs	⑧ 2pcs
			
⑨ 2pcs	⑩ 2pcs	⑪ 6pcs	⑫ 6pcs
			
⑬ 10pcs	⑭ 6pcs	⑮ 10pcs	⑯ 4pcs
			
⑰ 4pcs	⑱ 1pc	⑲ 2pcs	⑳ 1pc
			
㉑ 2pcs	㉒ 2pcs	㉓ 2pcs	

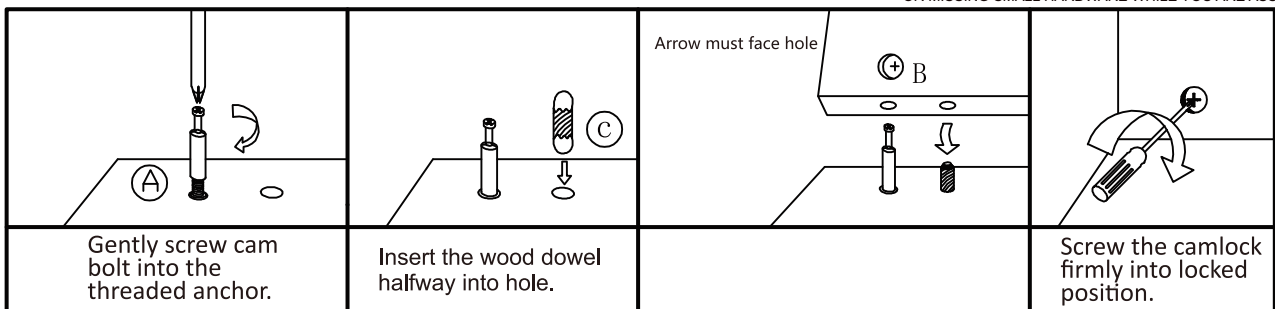
# Hardware

			
<b>A</b> 78+2pcs	<b>B</b> 78+2pcs	<b>C</b> 38+2pcs	<b>D</b> 46+2pcs
			
<b>E</b> 8pcs	<b>F</b> 80+3pcs	<b>G</b> 10pcs	<b>H</b> 2pcs
			
<b>CL</b> 10pcs	<b>CR</b> 10pcs	<b>DL</b> 10pcs	<b>DR</b> 10pcs
			
<b>I</b> 10+1pcs			

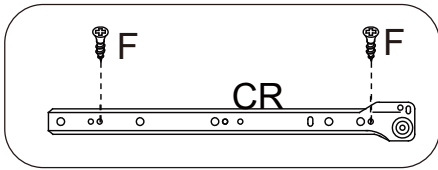
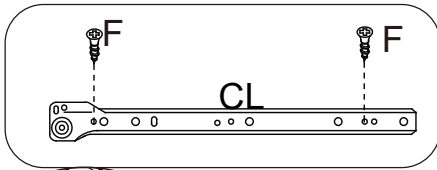


SPARE BAG

THE SPARE BAG INCLUDED EXTRA HARDWARE FOR DAMAGED OR MISSING SMALL HARDWARE WHILE YOU ARE ASSEMBLING



1

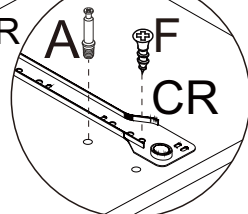
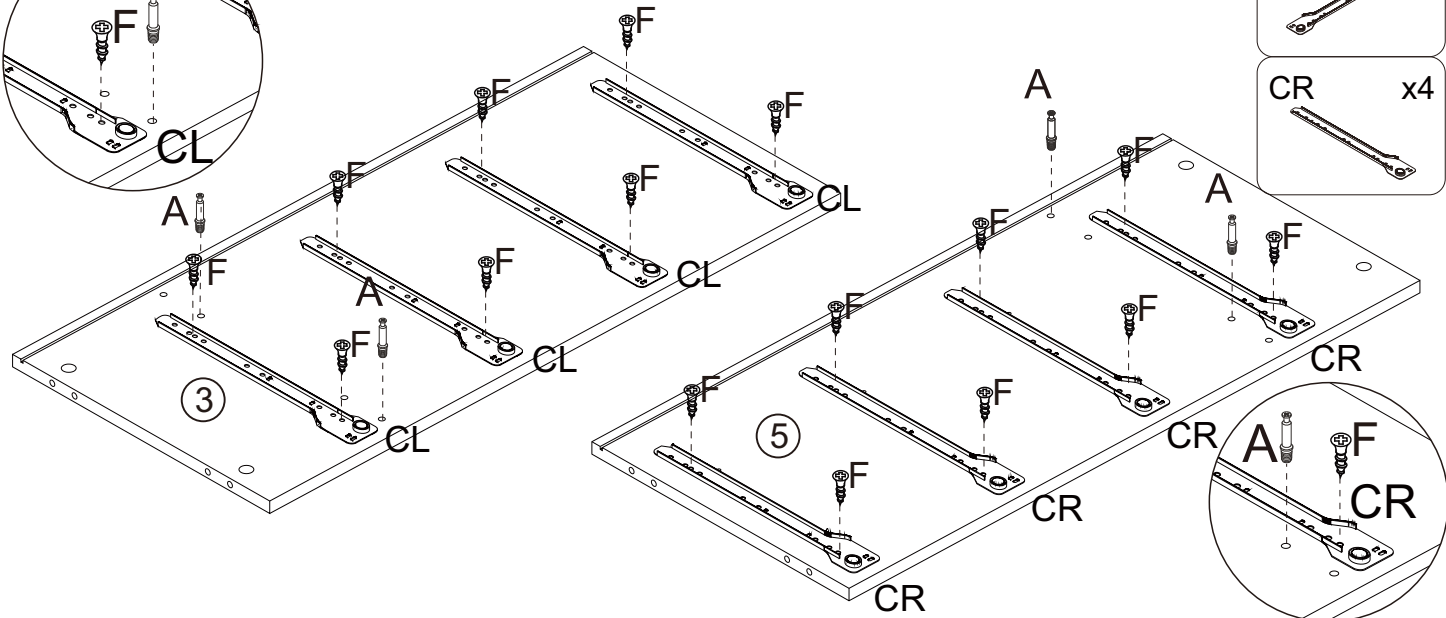
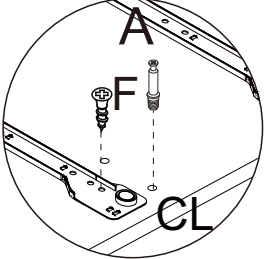


A x4

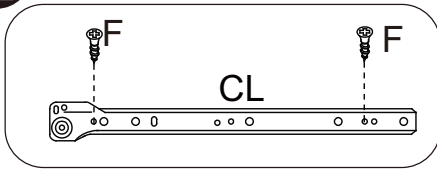
F x16

CL x4

CR x4



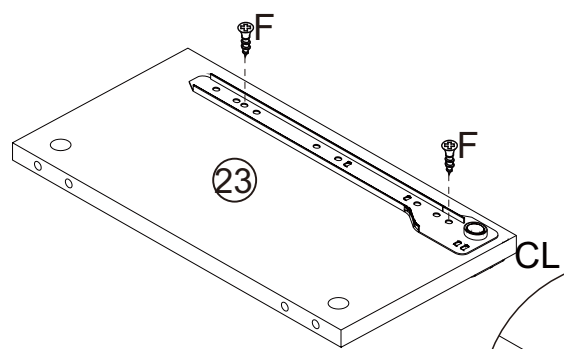
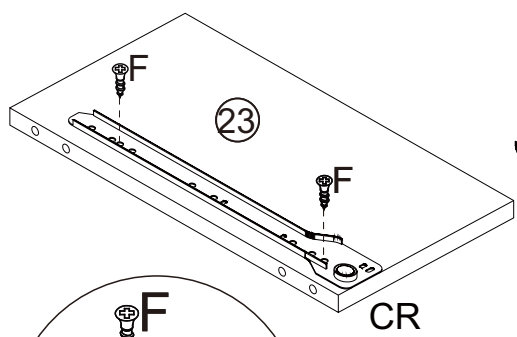
2



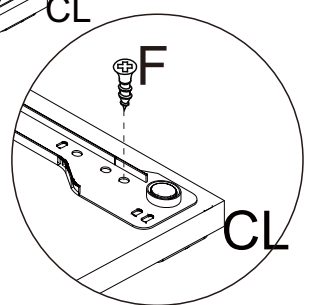
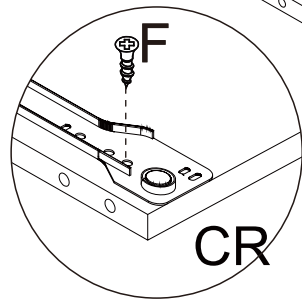
F x8

CL x2

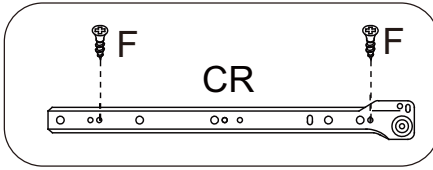
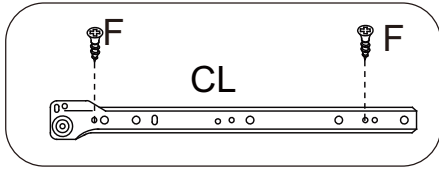
CR x2




X2





3

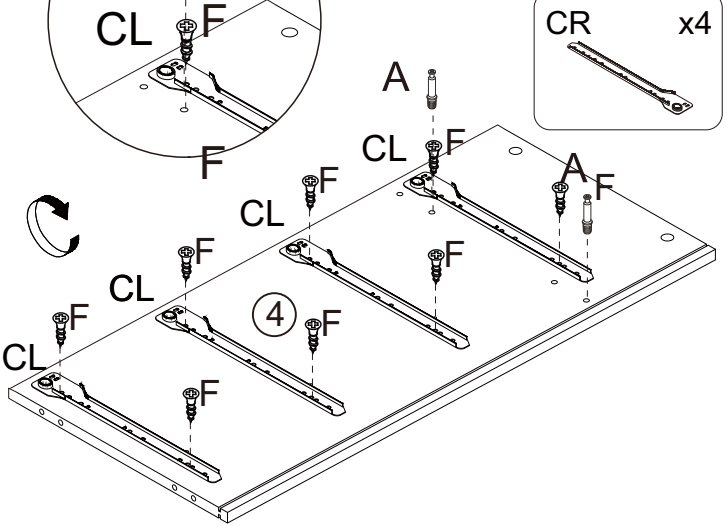
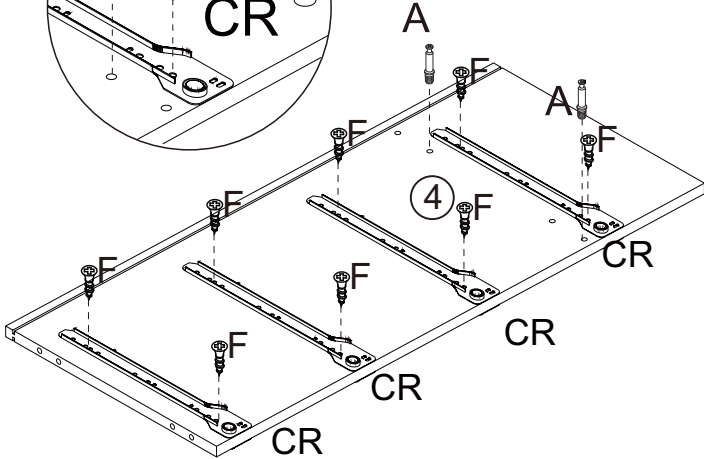
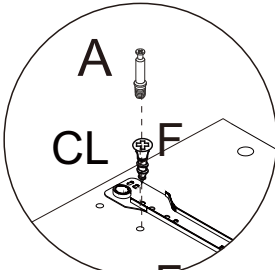
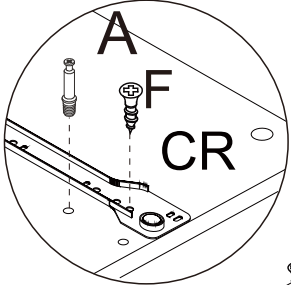


A x4  

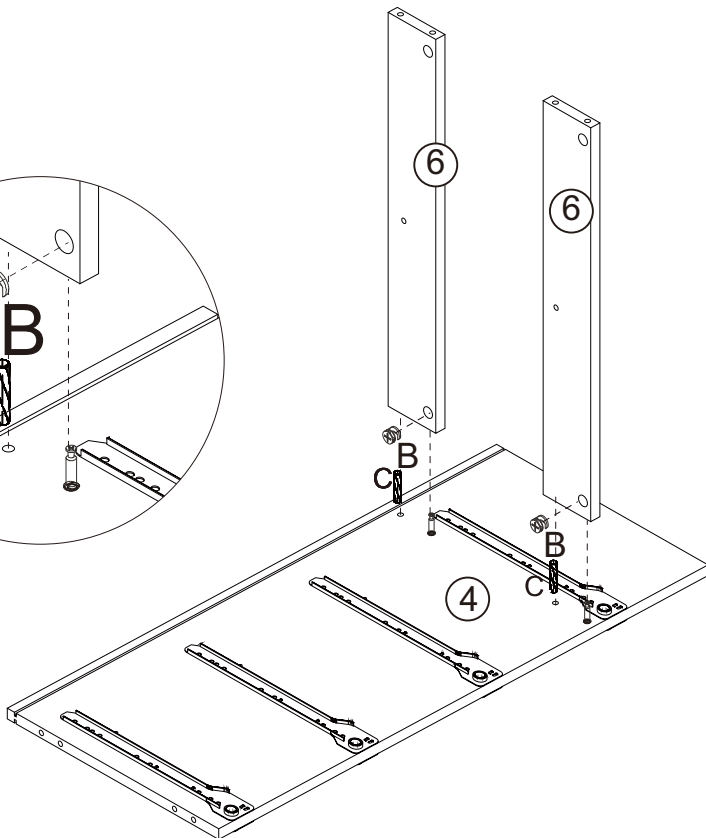
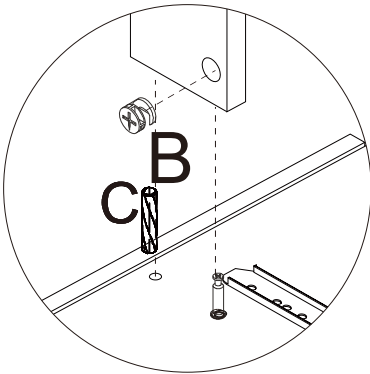

F x16  


CL x4  



CR x4  




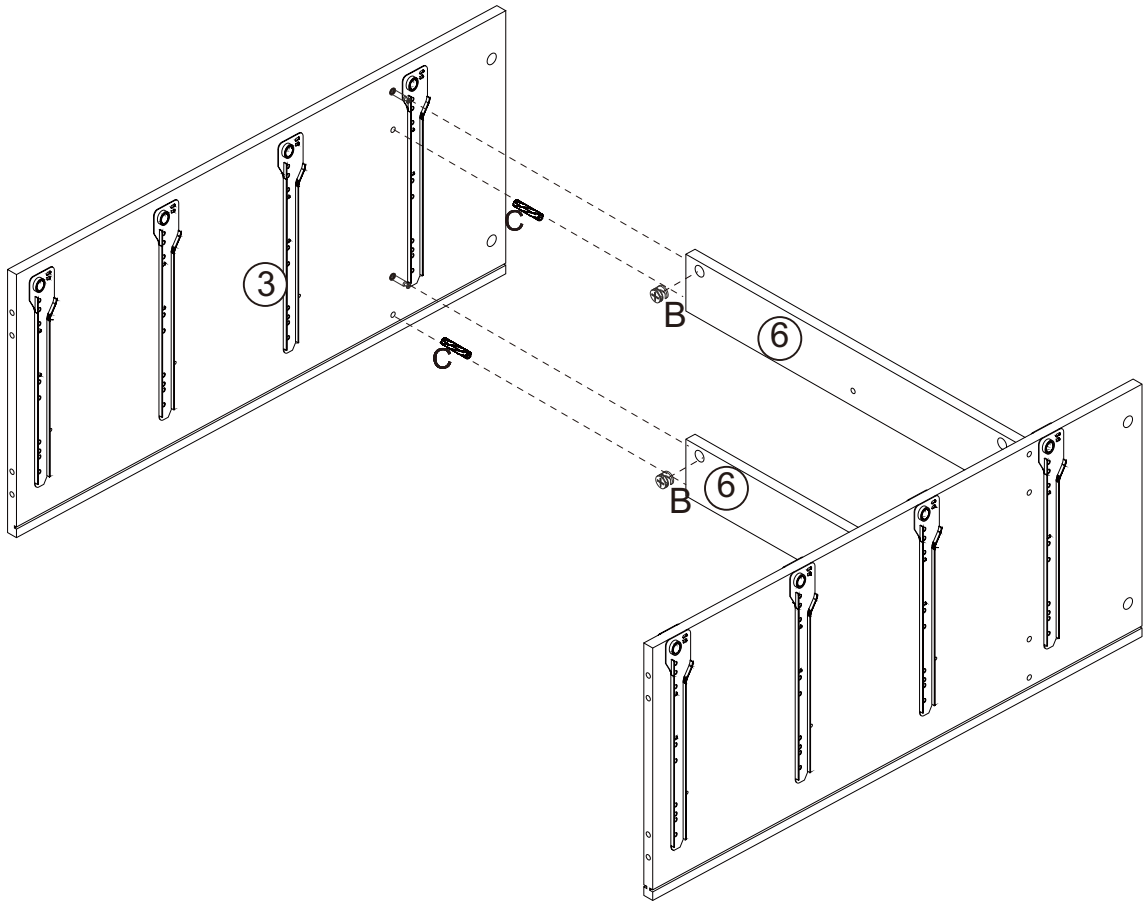
4



B x2  


C x2  


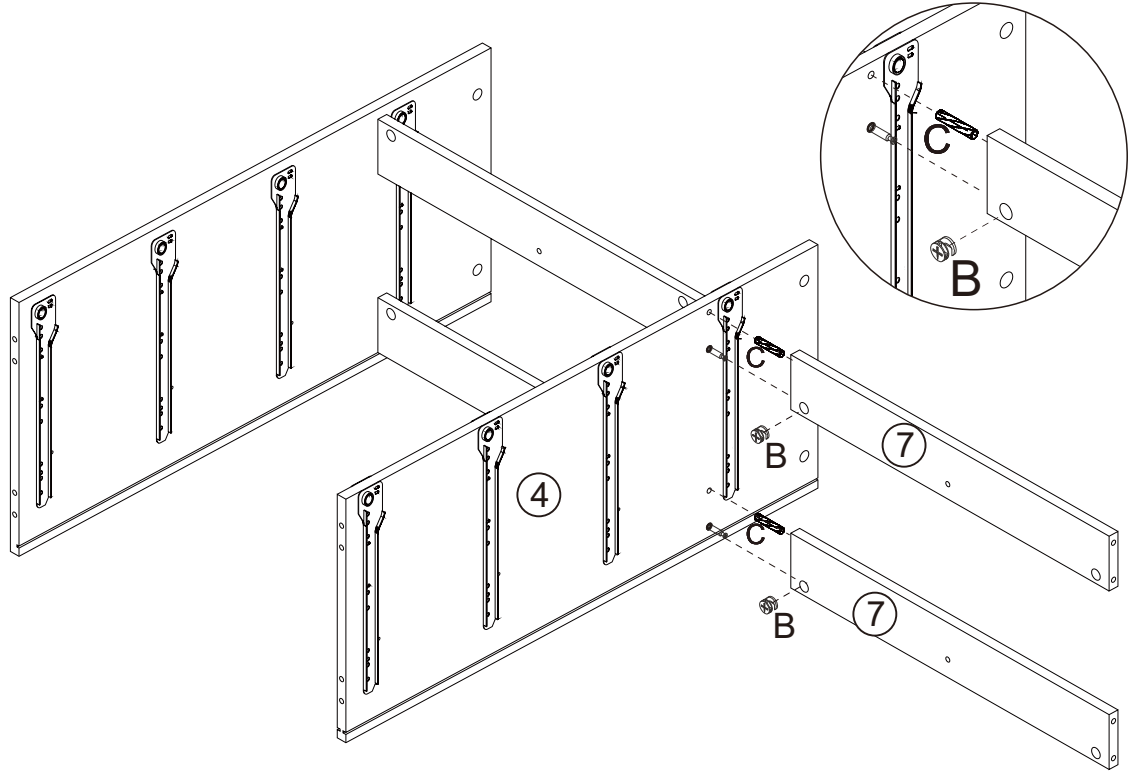
5



B x2

C x2

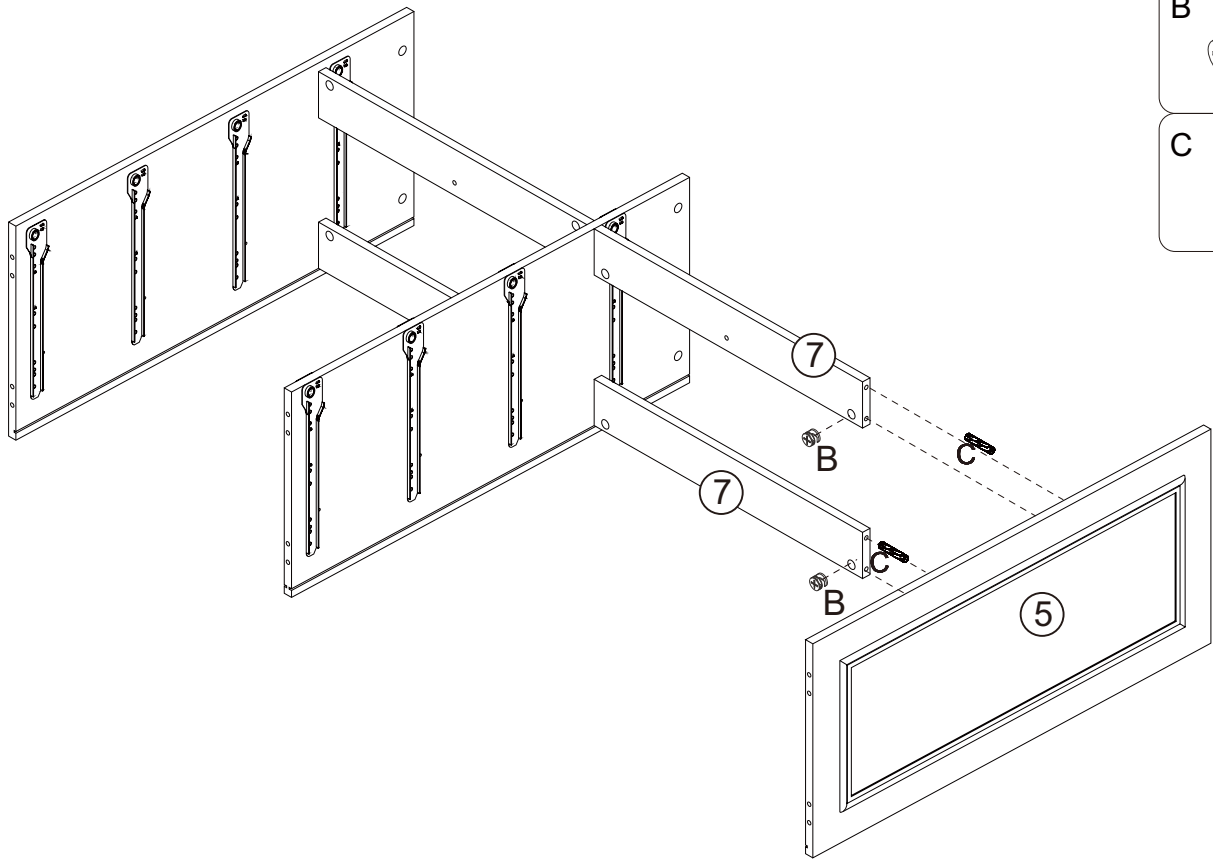
6



B x2

C x2

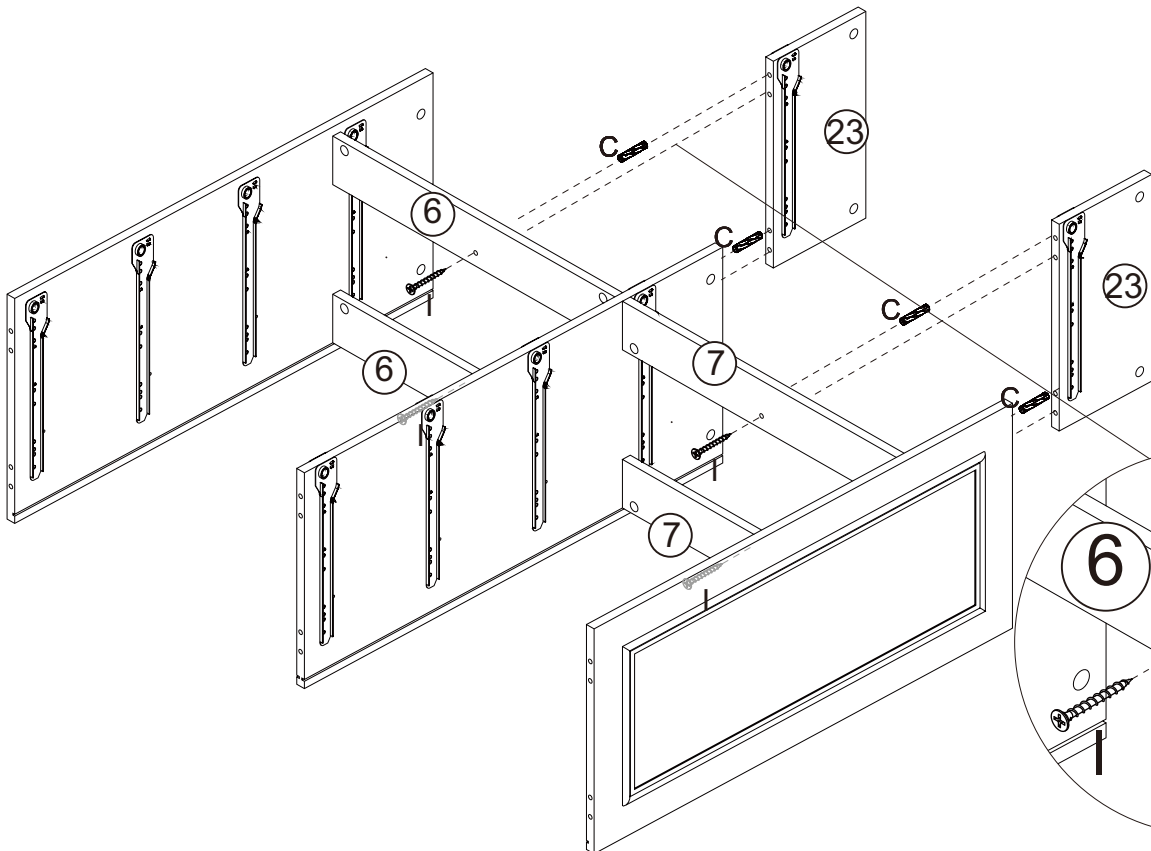
7



B x2

C x2

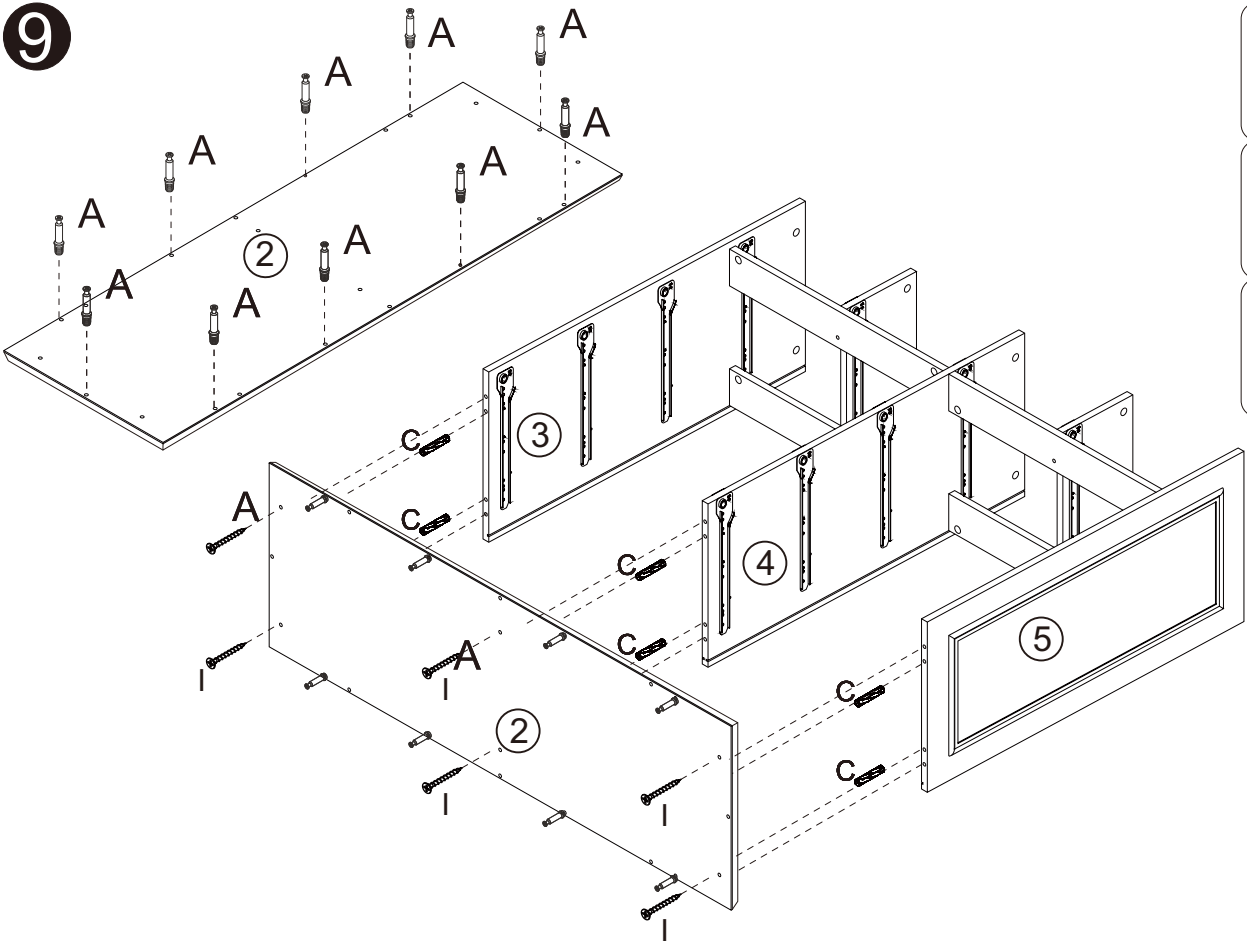
8



C x4

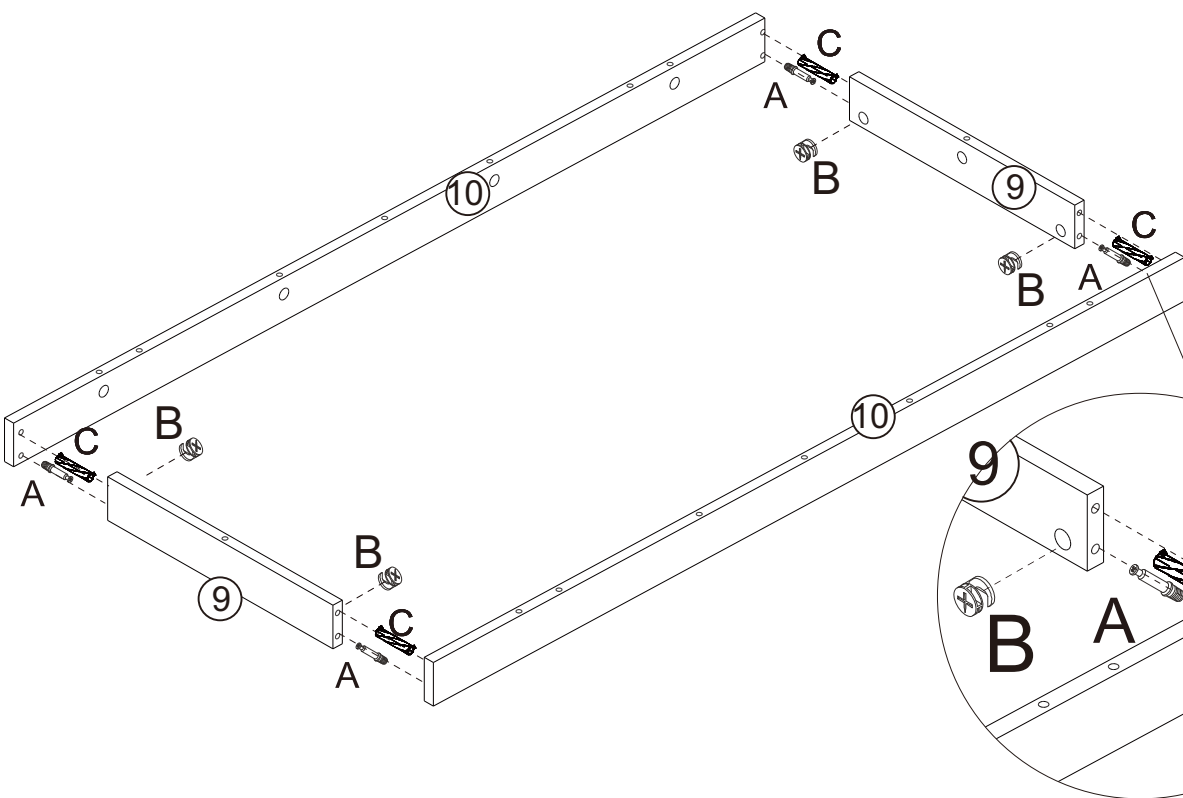
I x4

9

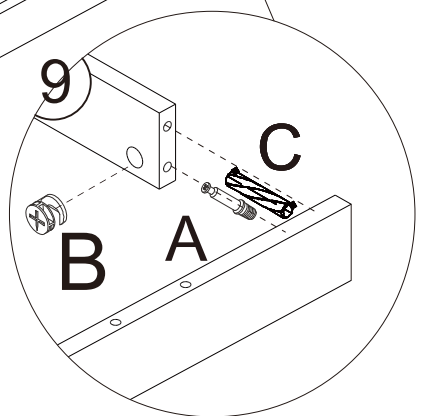


- A x10
- I x6
- C x6

10

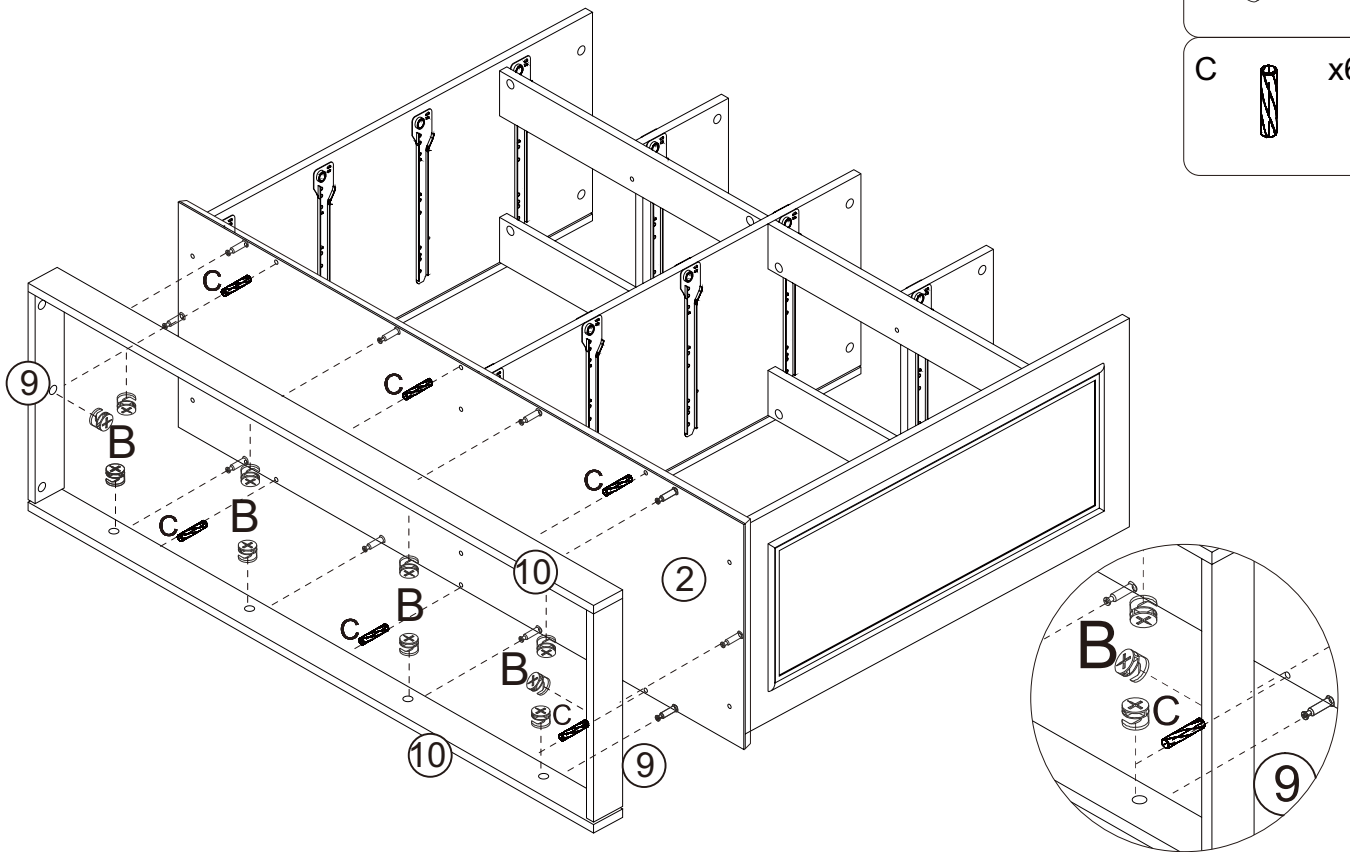


- A x4
- B x4
- C x4

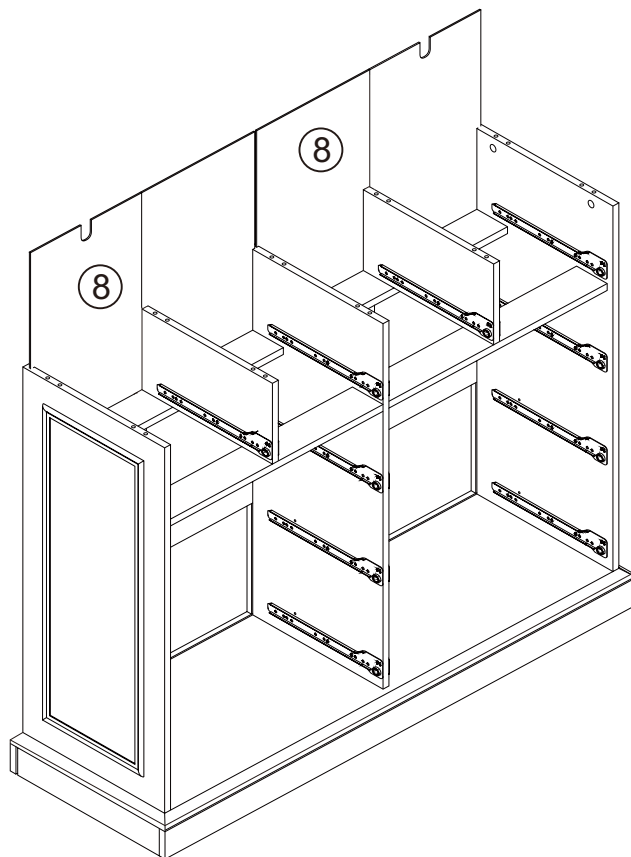


11

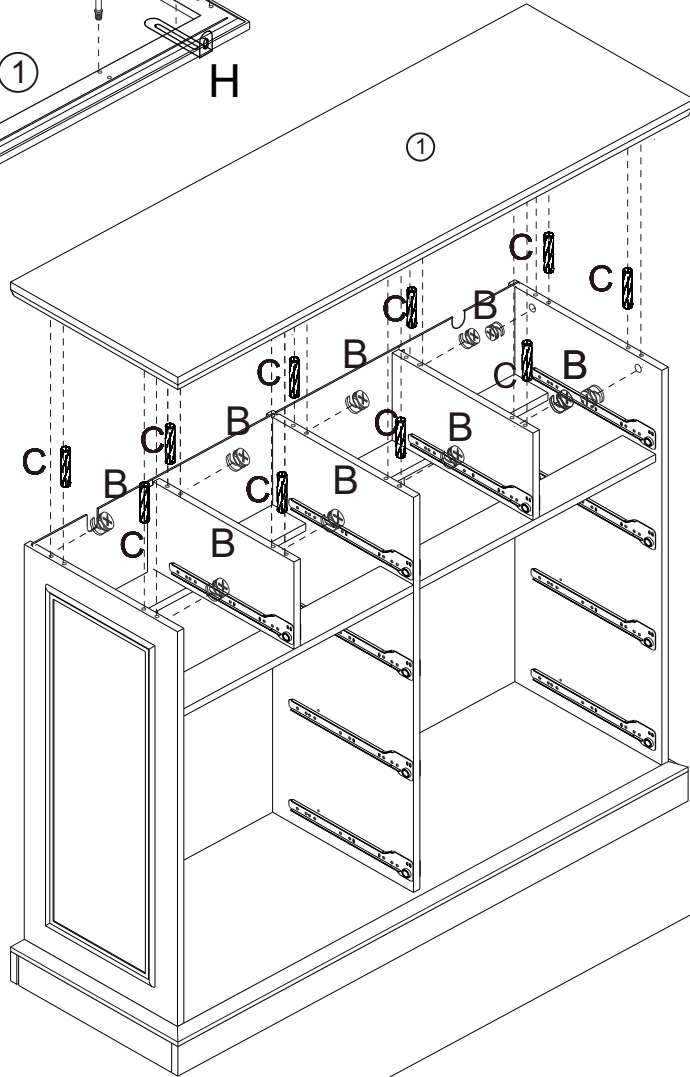
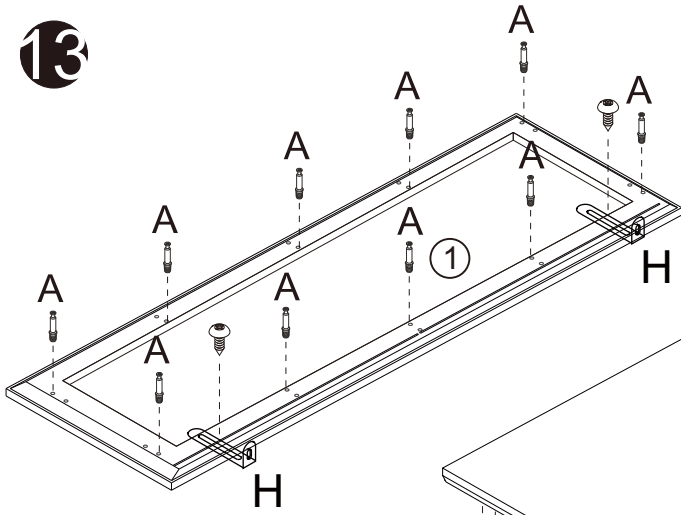
- B x10
- C x6










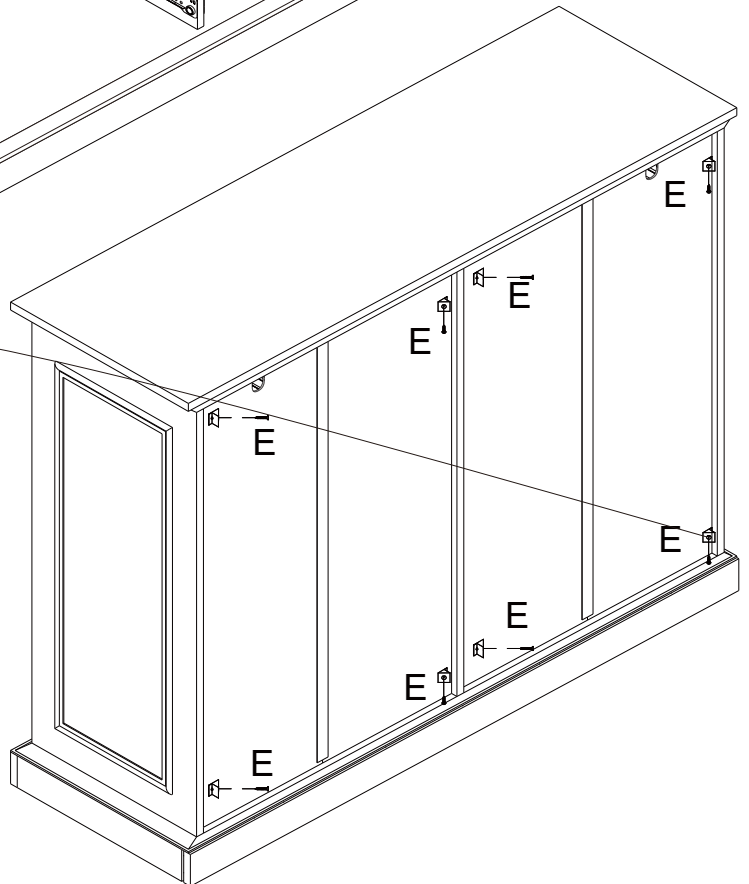
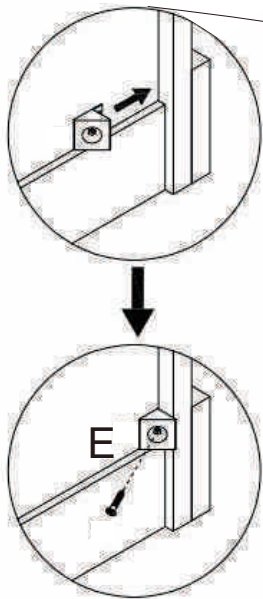
12



13

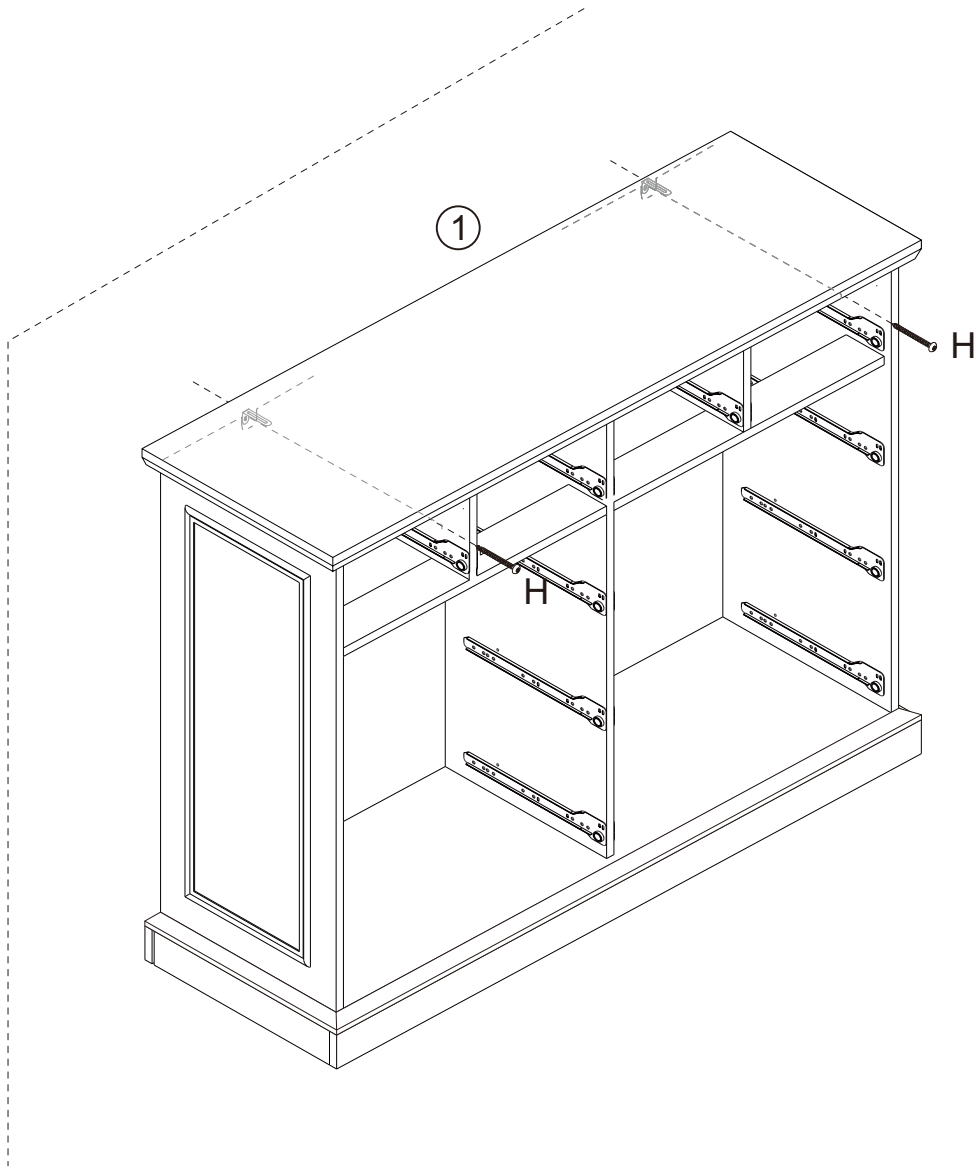
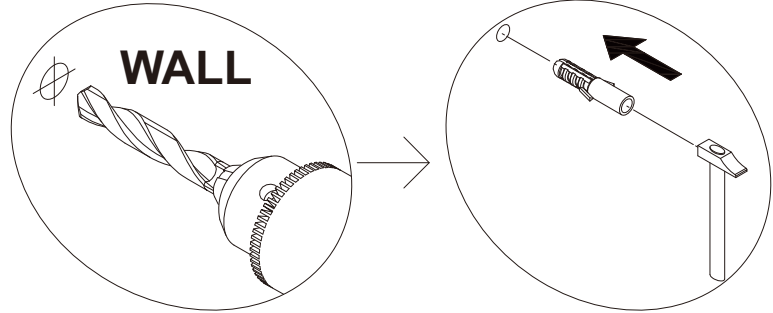
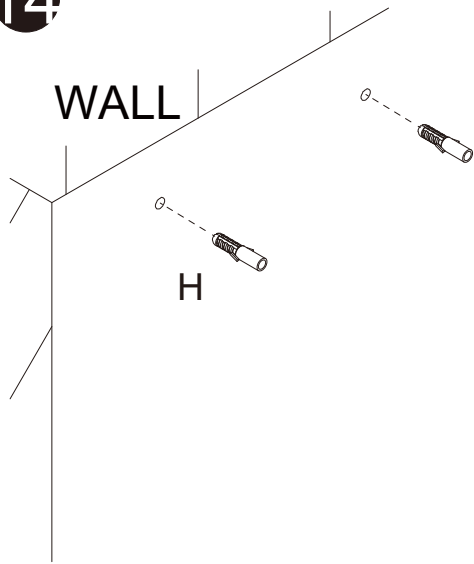


- A x10  

- B x10  

- C x10  

- E x8  
 
- H x2  
 




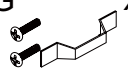


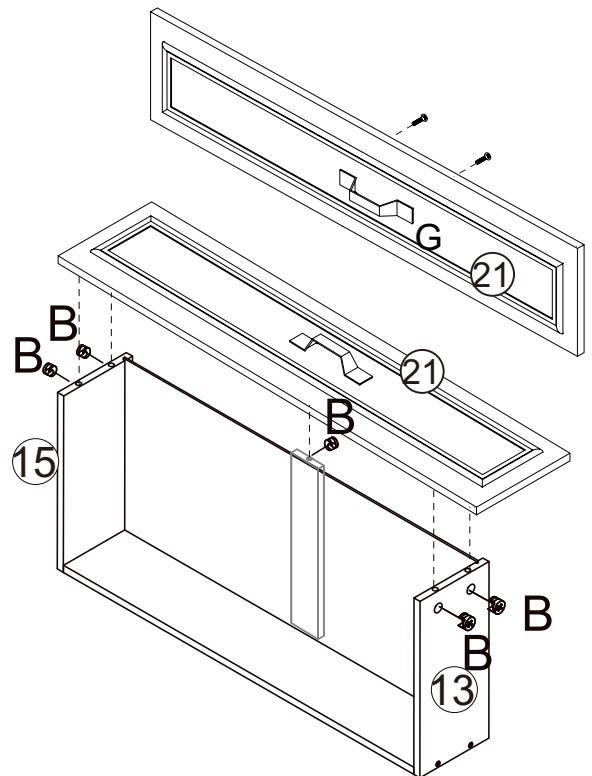
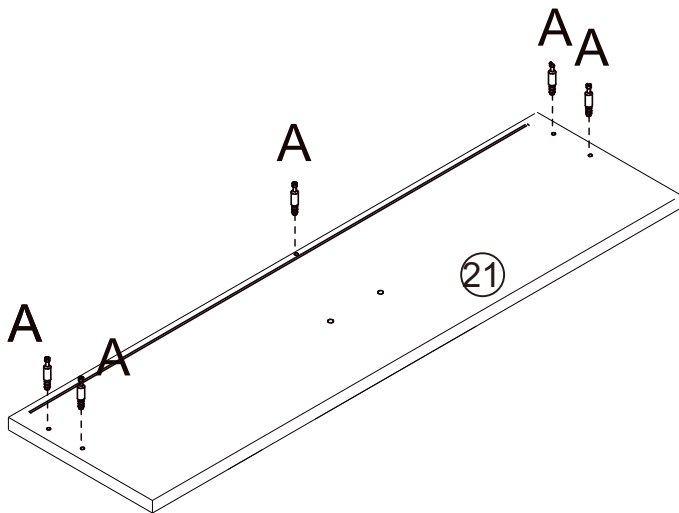
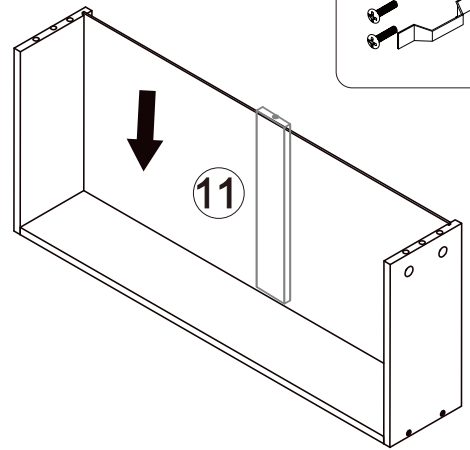
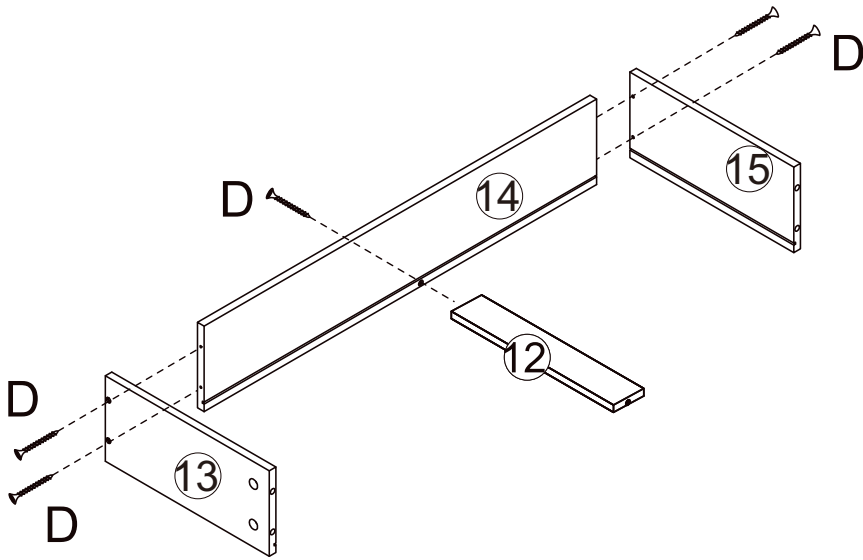
14

H x2






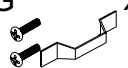
15

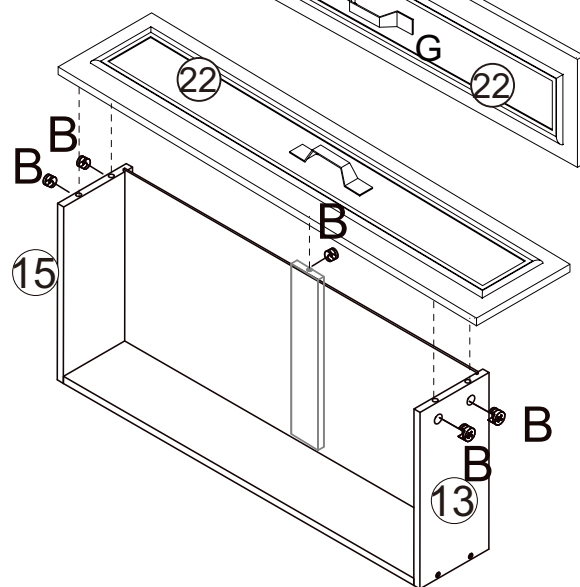
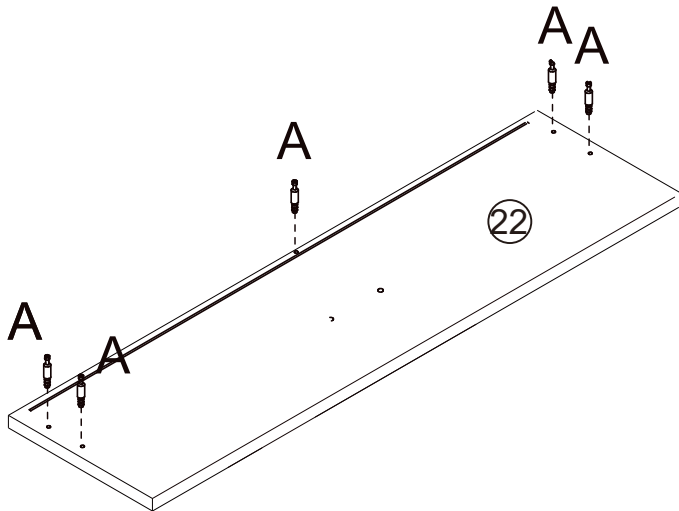
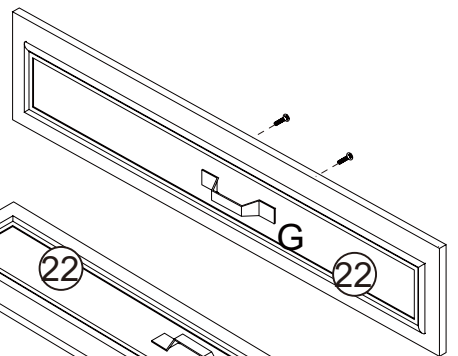
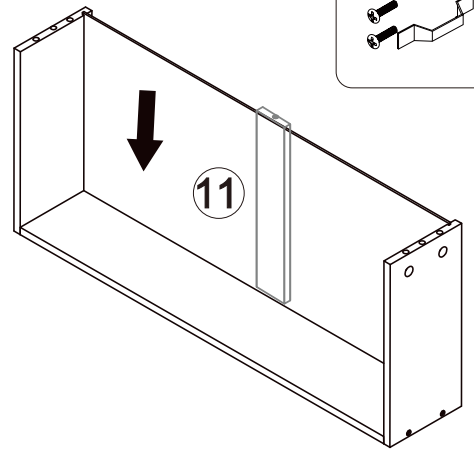
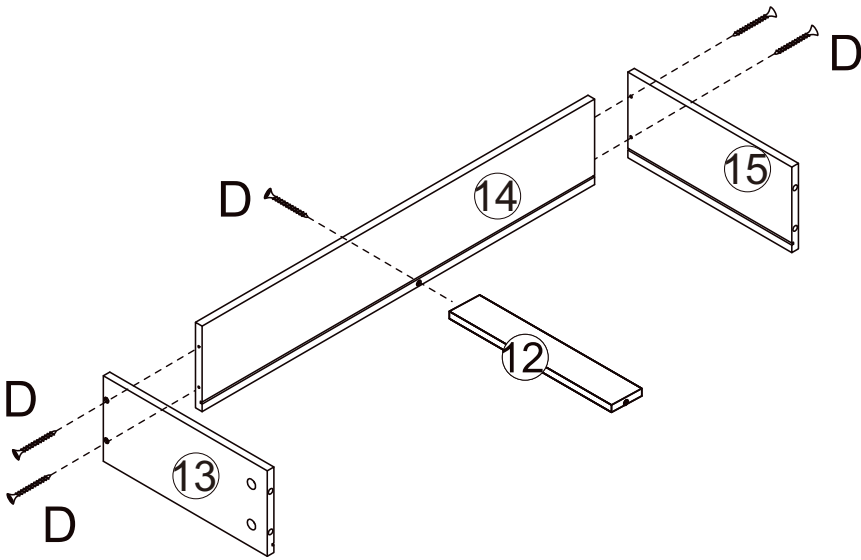
- A x15 
- B x15 
- D x15 
- G x3 



x3




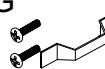
16

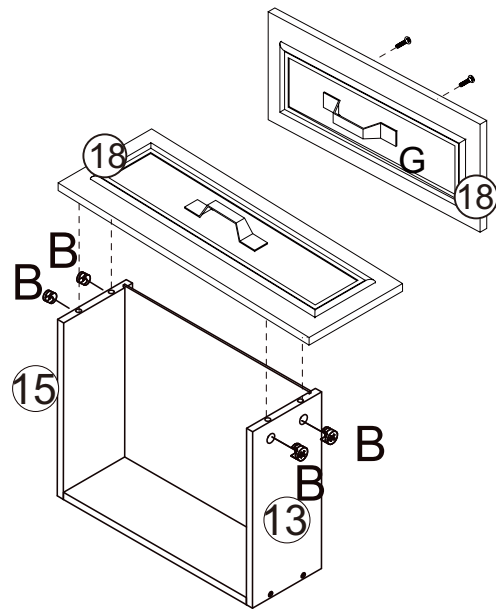
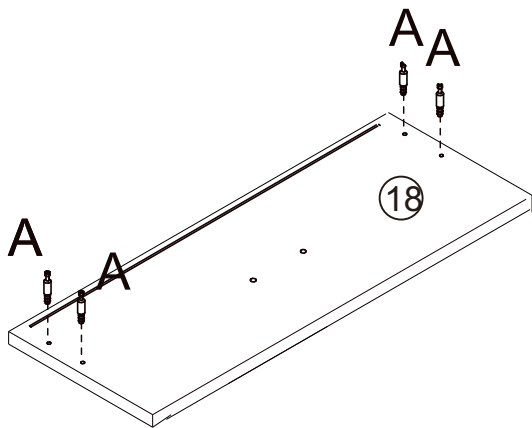
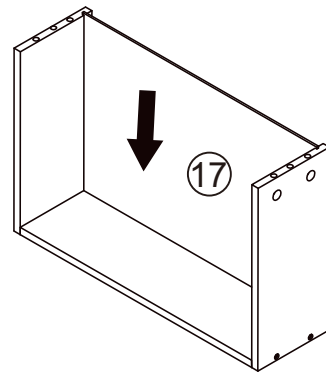
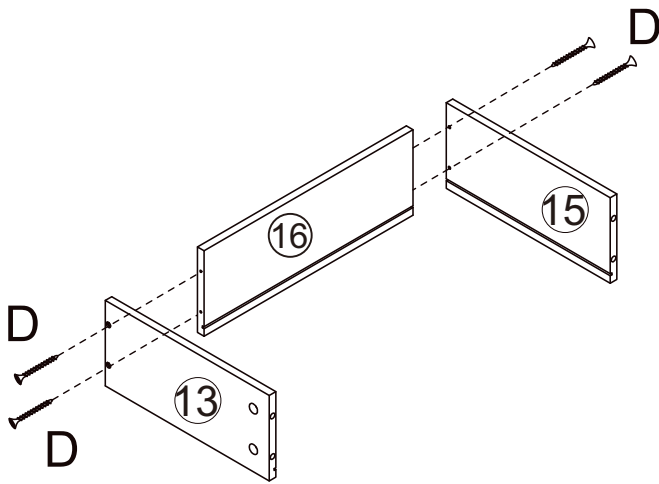
- A x15  

- B x15  

- D x15  

- G x3  







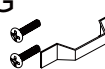
x3

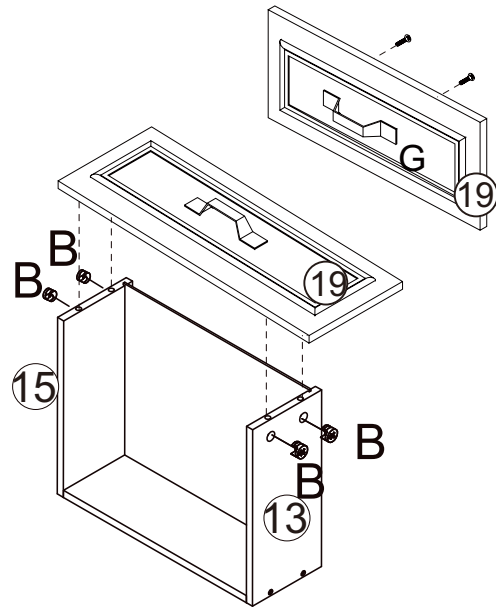
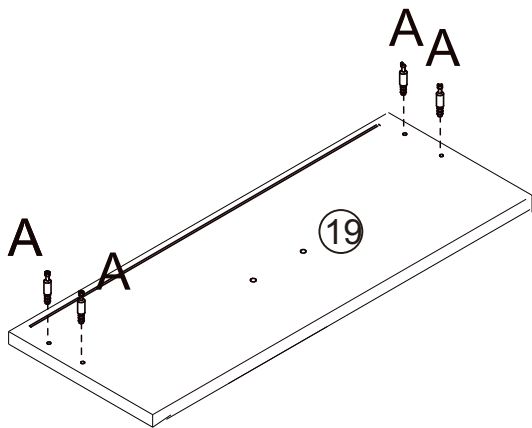
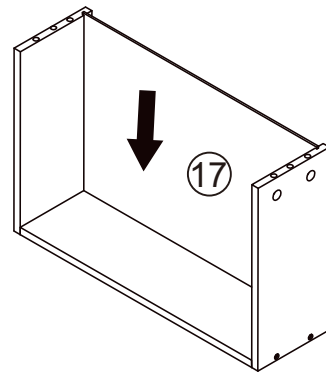
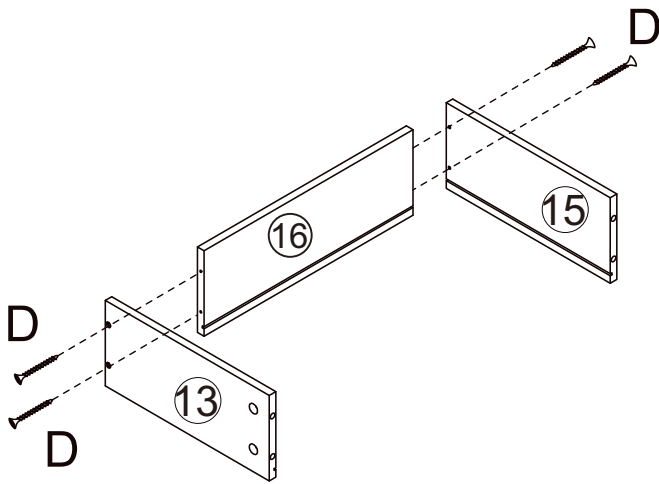
17

- A x4 
- B x4 
- D x4 
- G x1 




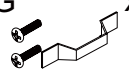


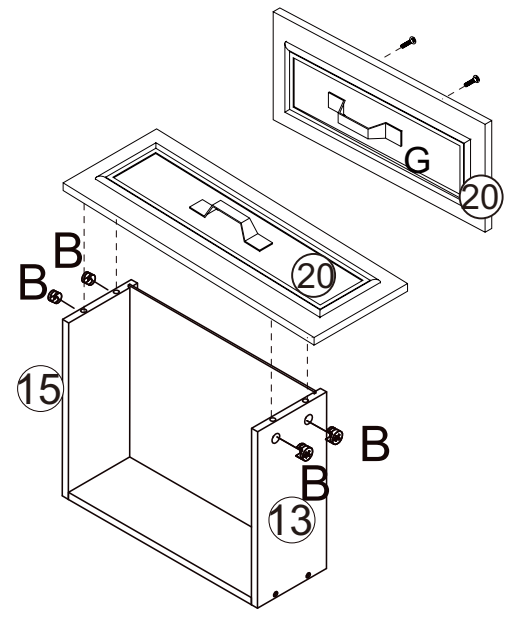
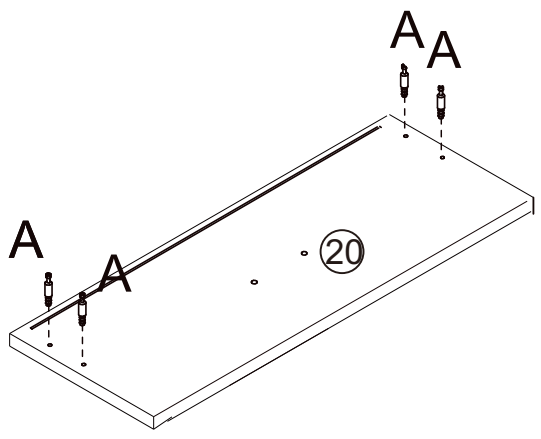
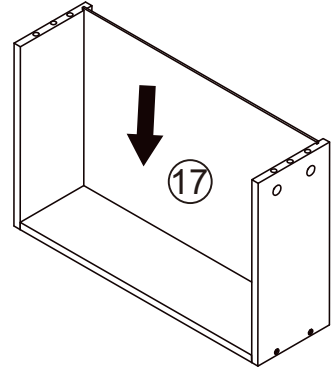
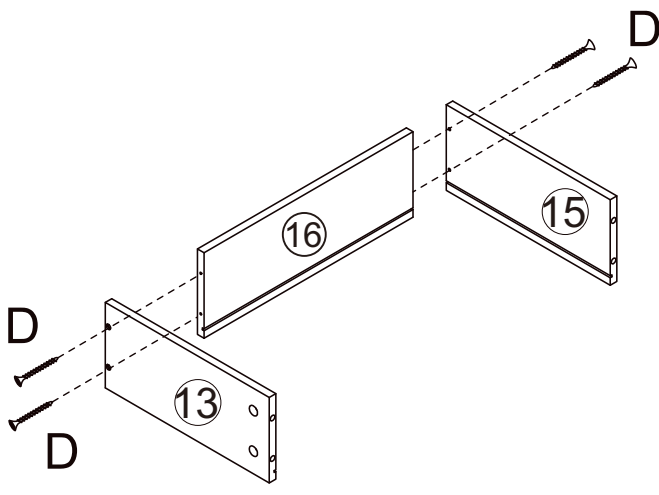
18

- A x4 
- B x4 
- D x4 
- G x1 



19

- A x8 
- B x8 
- D x8 
- G x2 



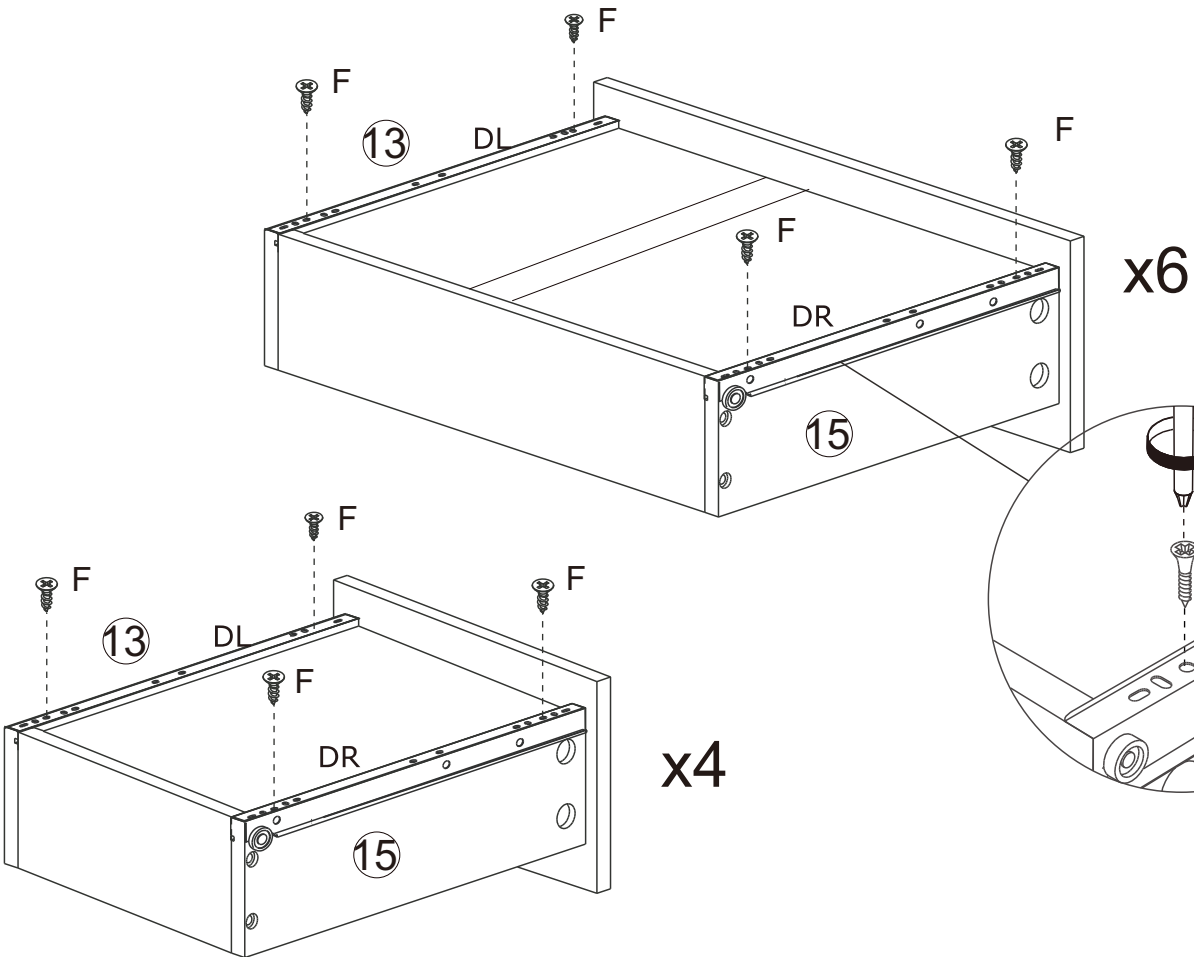
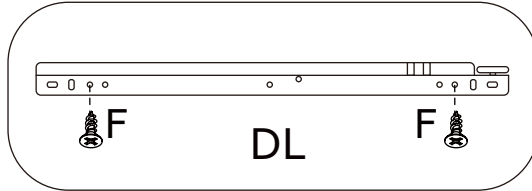
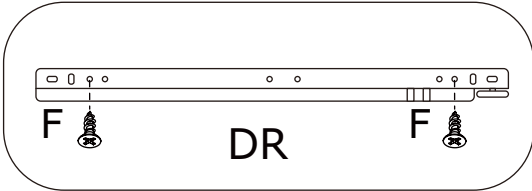
x2

20

F x40

DL x10

DR x10



21

