
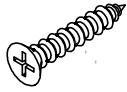
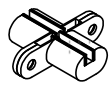


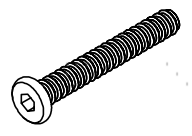
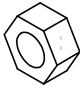

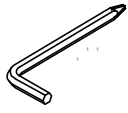
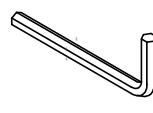

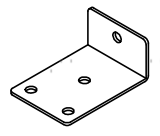
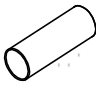

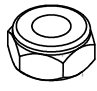



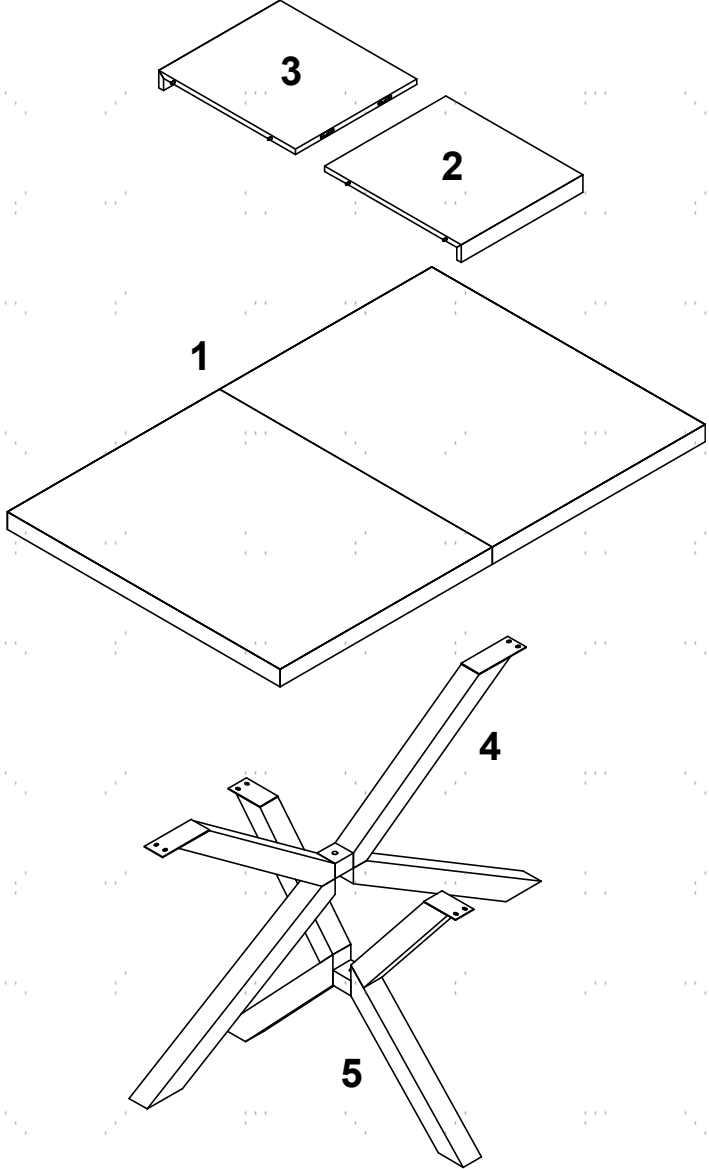
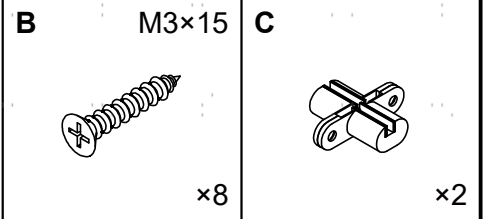
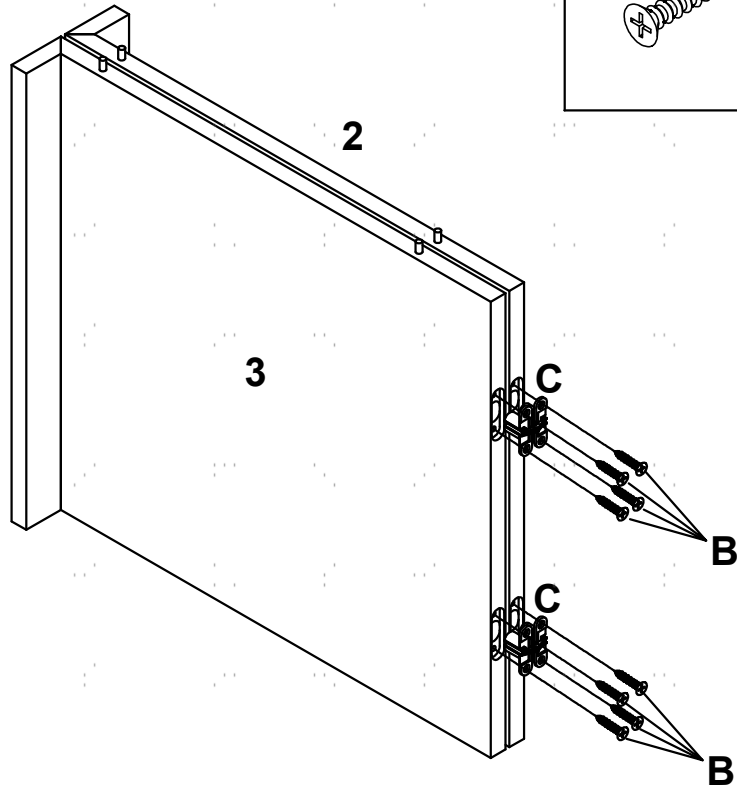


Assembly Instructions

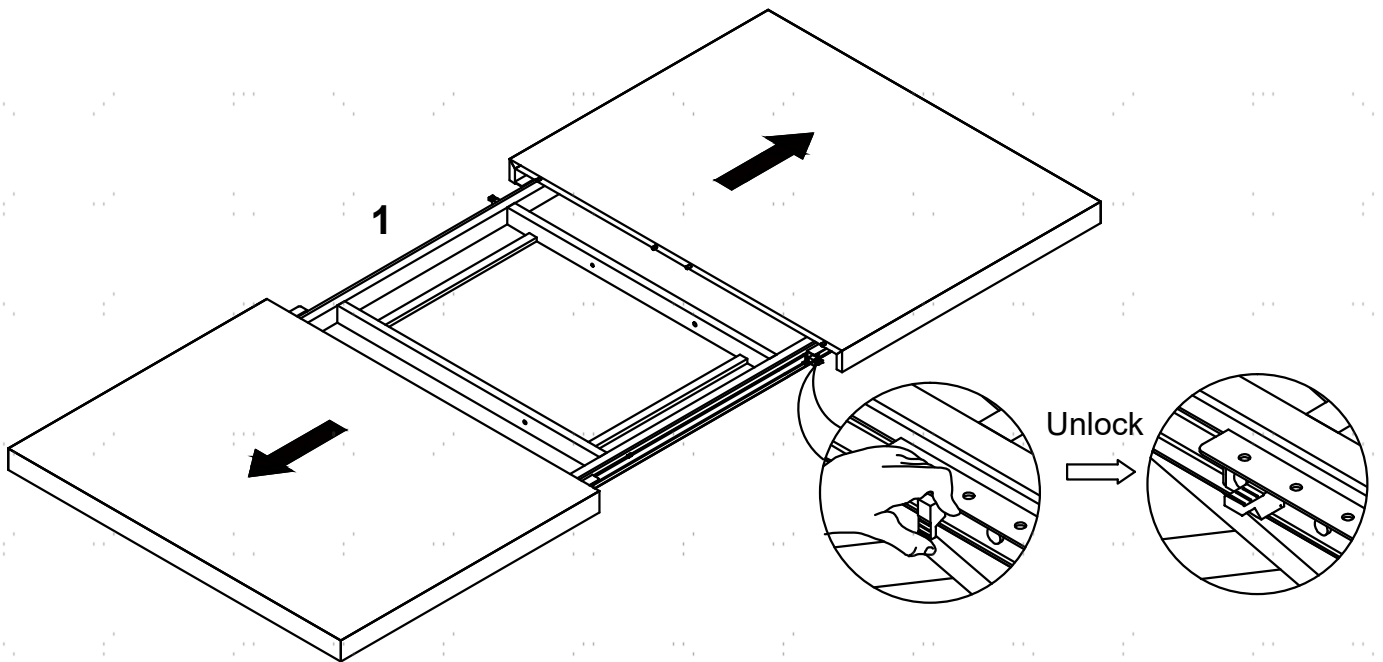
A  x1	B M3×15  x8	C  x2	D M6×12  x15	E M6×50  x2	F M8×70  x1
G  x2	H  x4	I 4 mm  x1	J 5 mm  x1	K  x1	L  x2
M  x2	N 10 mm  x12	O  x2	P 16 mm  x8	Q 17 mm  x1	R 11 mm  x1



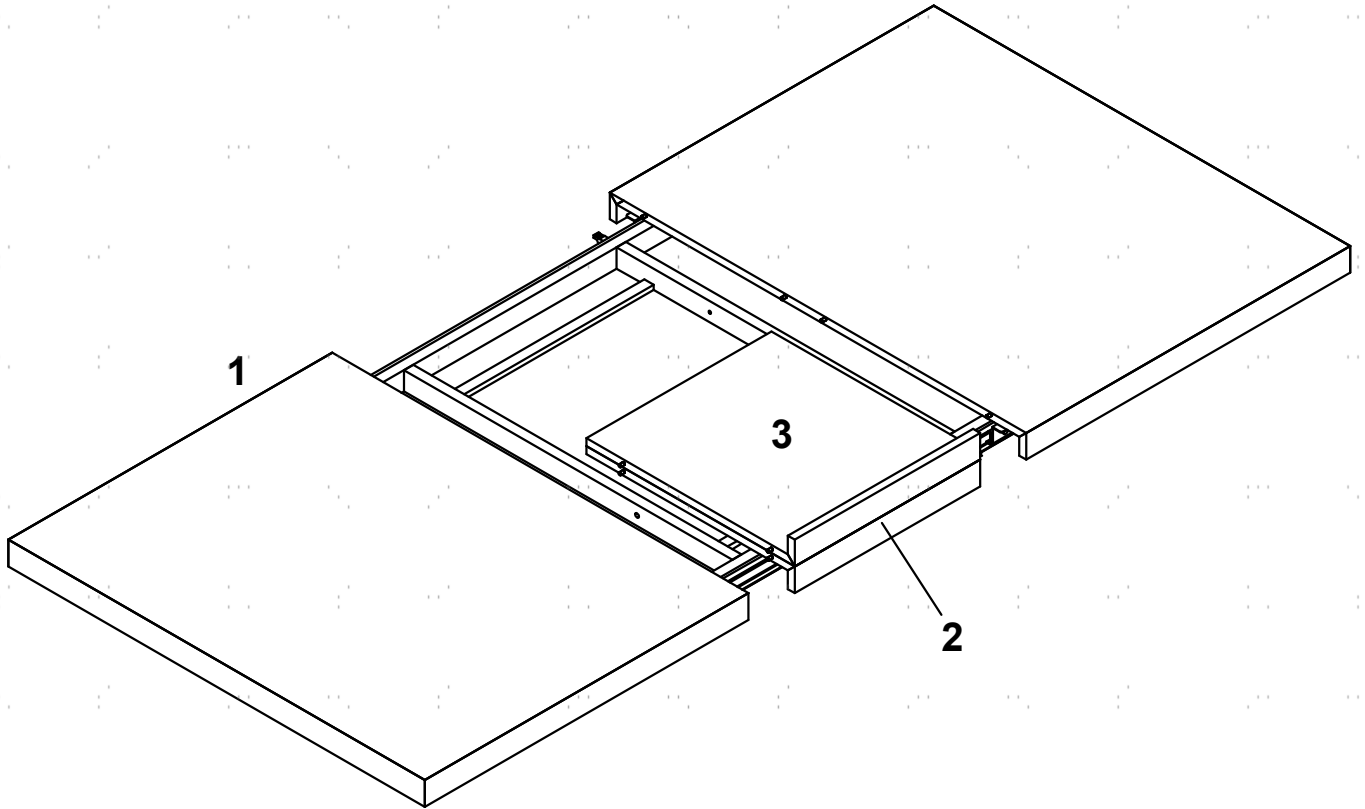
Step 1



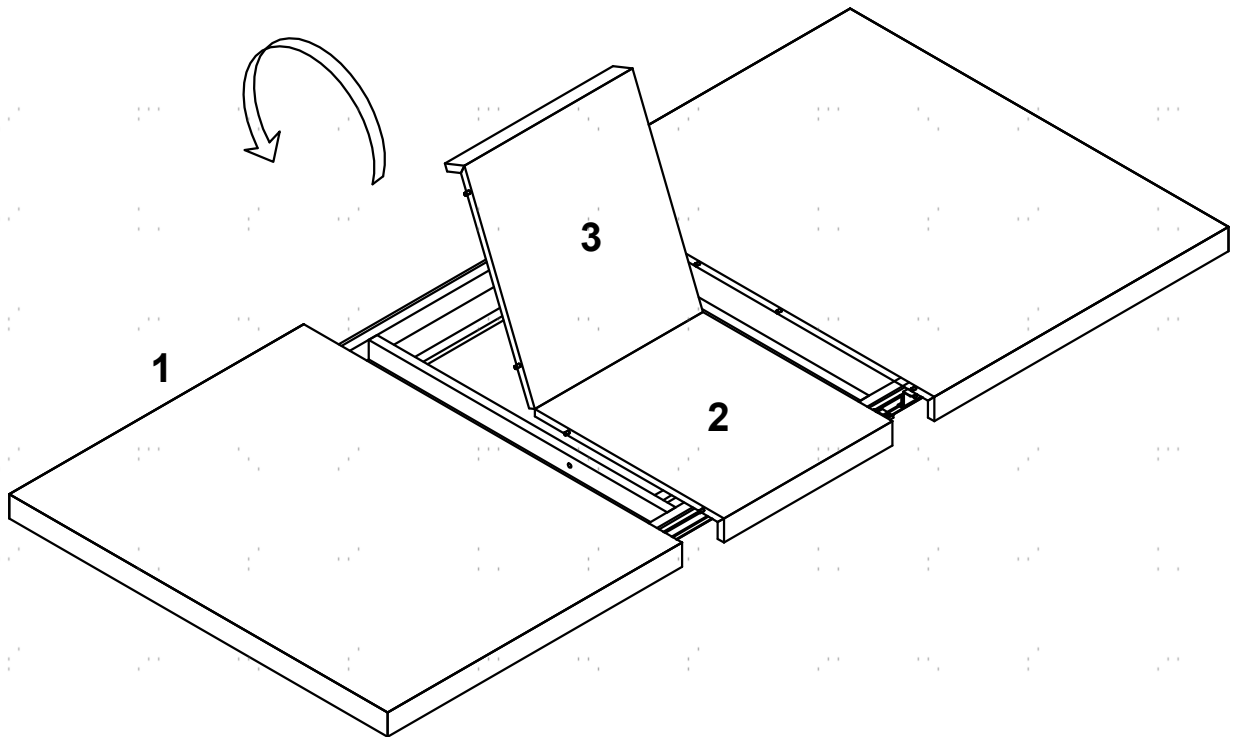
Step 2



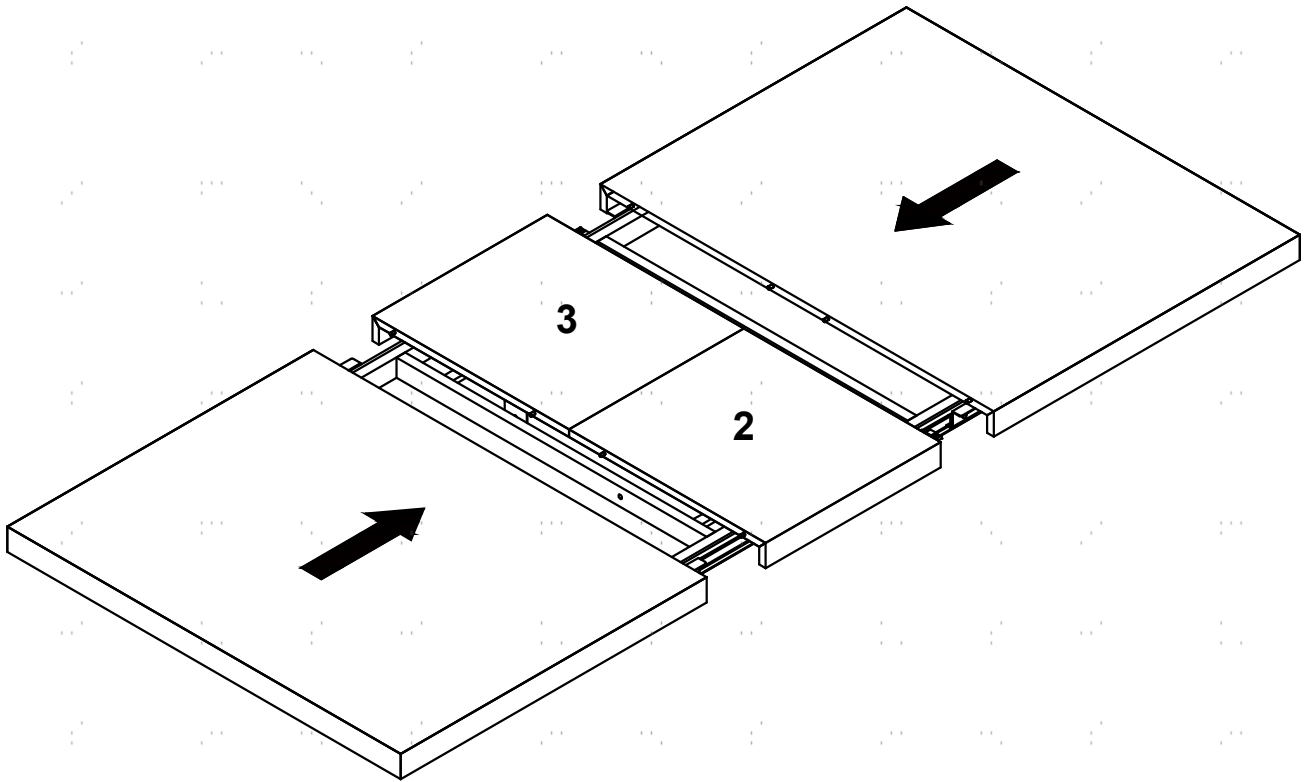
Step 3





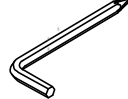

Step 4

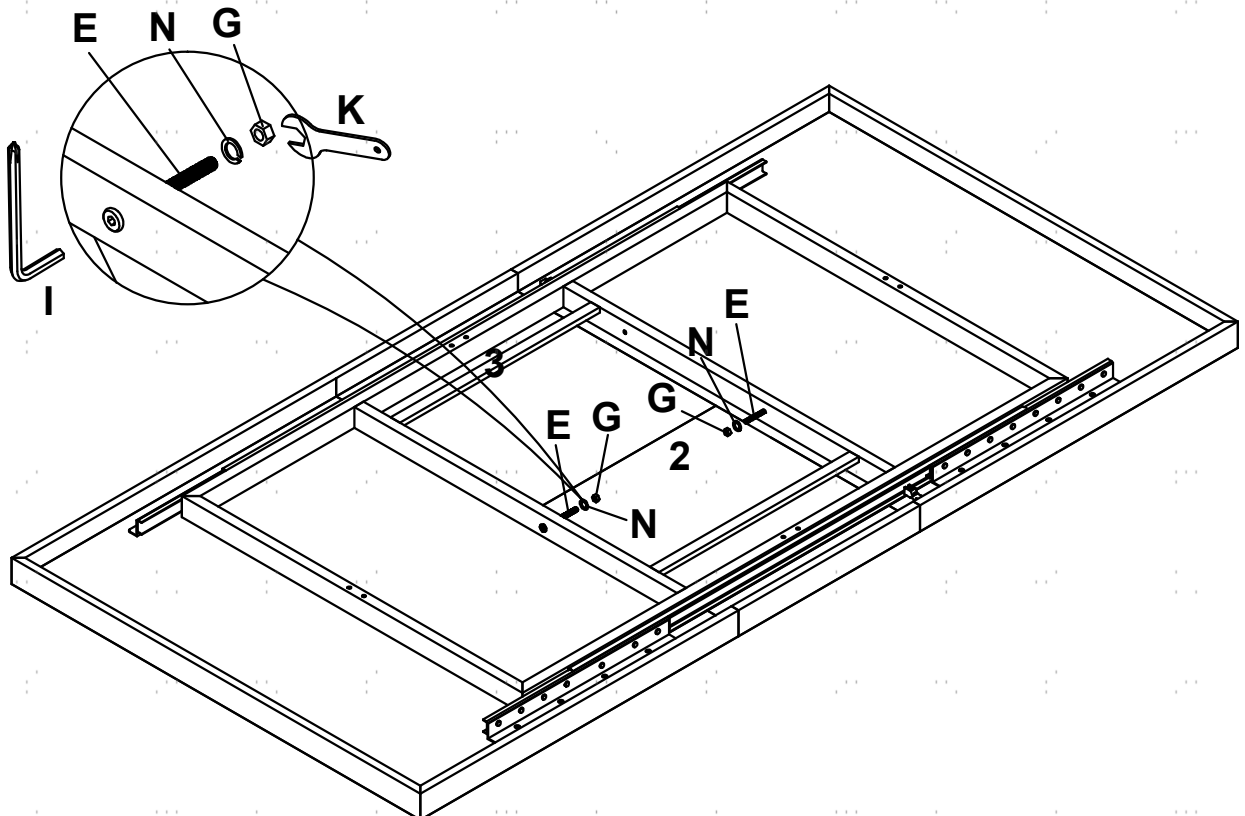


Step 5

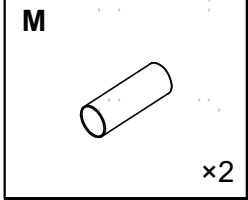
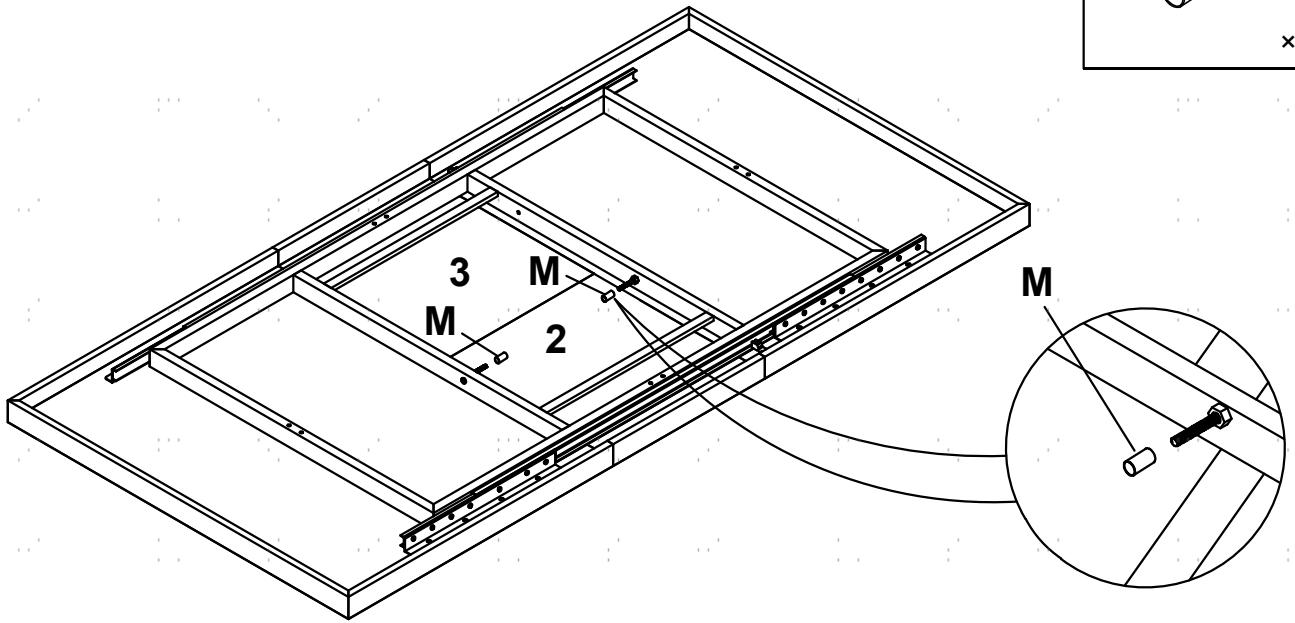


Step 6

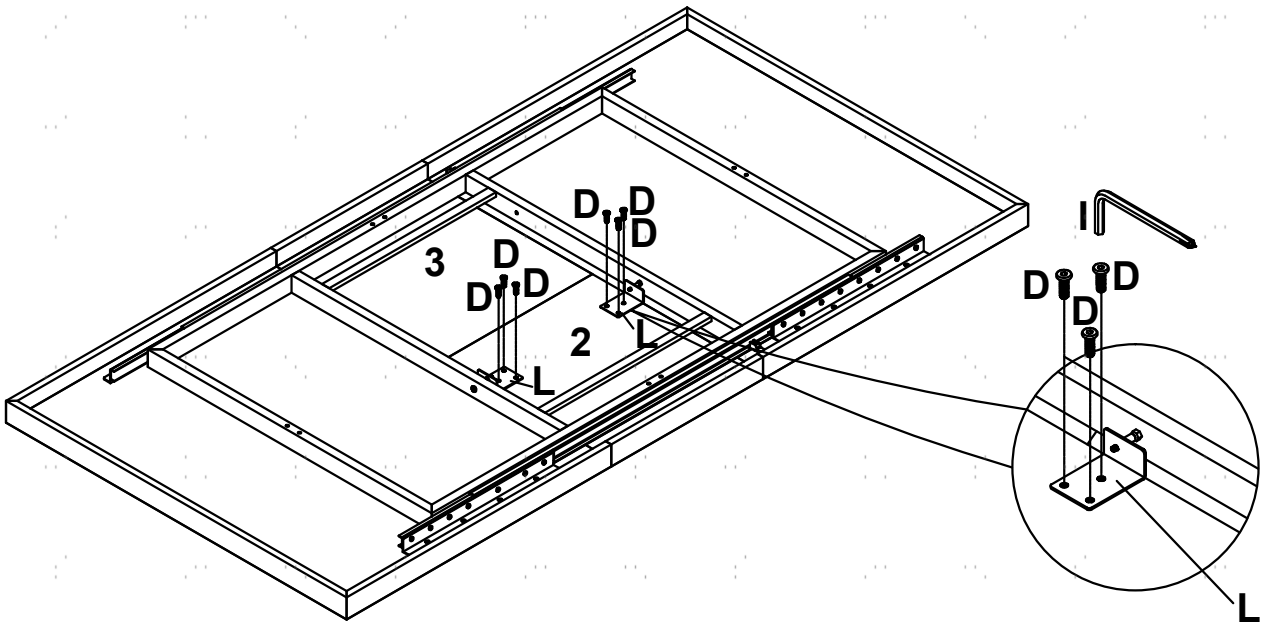
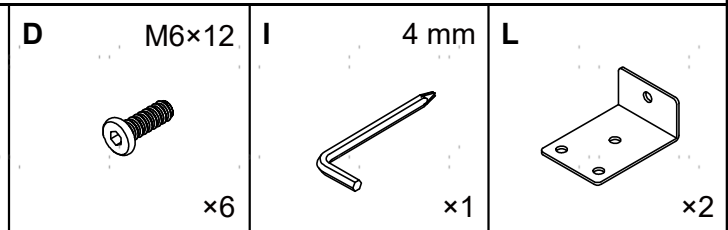
E	M6×50	G		I	4 mm	N	10 mm
							
	x2		x2		x1		x2



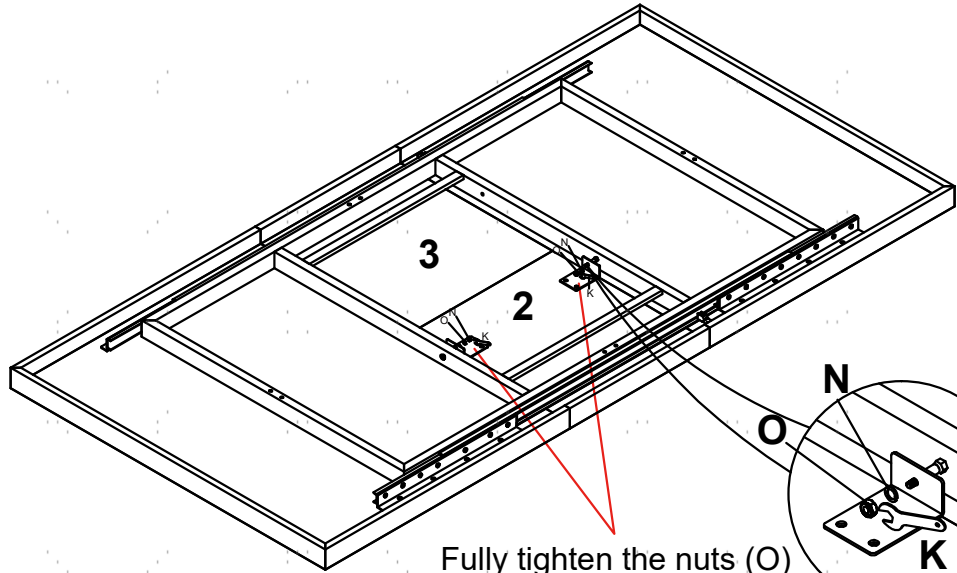
Step 7






Step 8



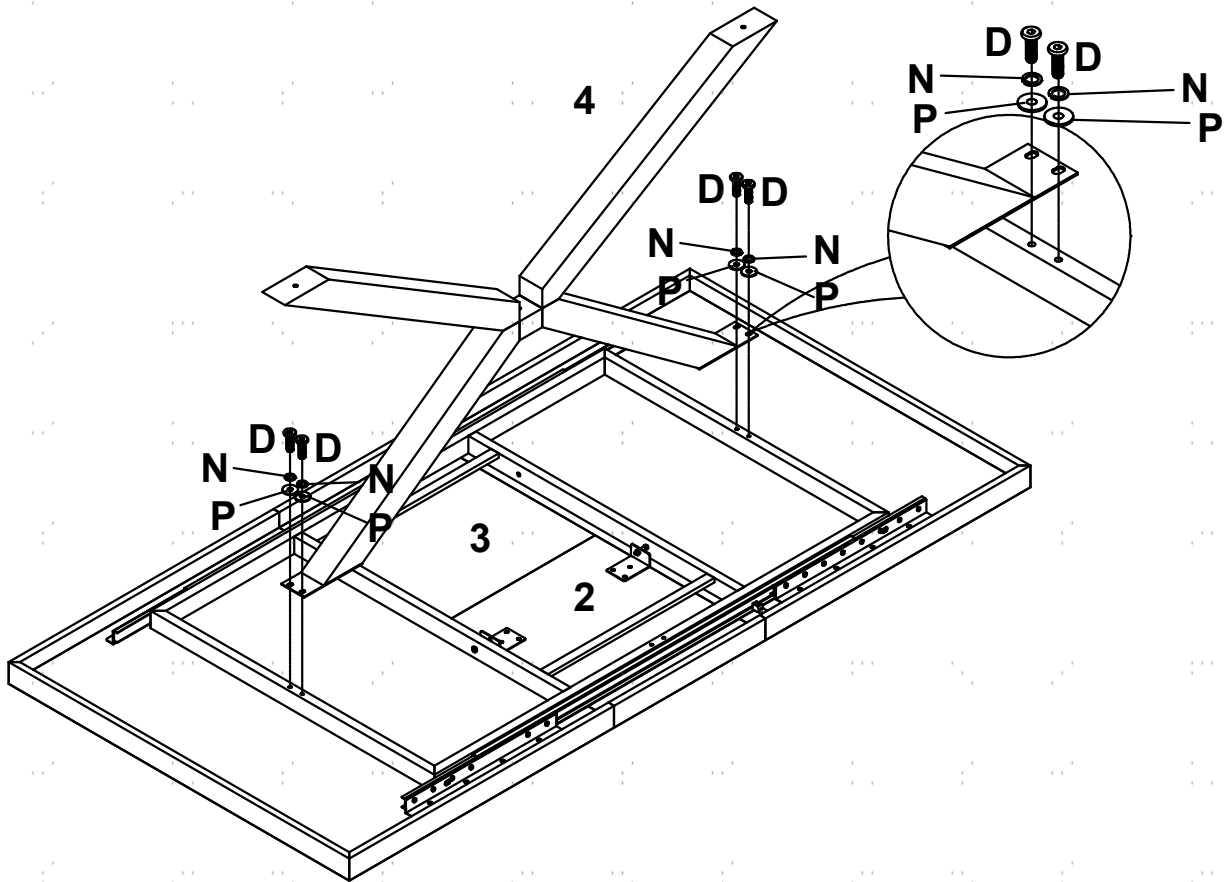
Step 9


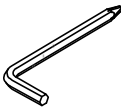




Fully tighten the nuts (O) on **BOTH** sides.


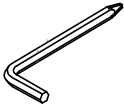


K	N	10 mm	O
			
x1	x2		x2

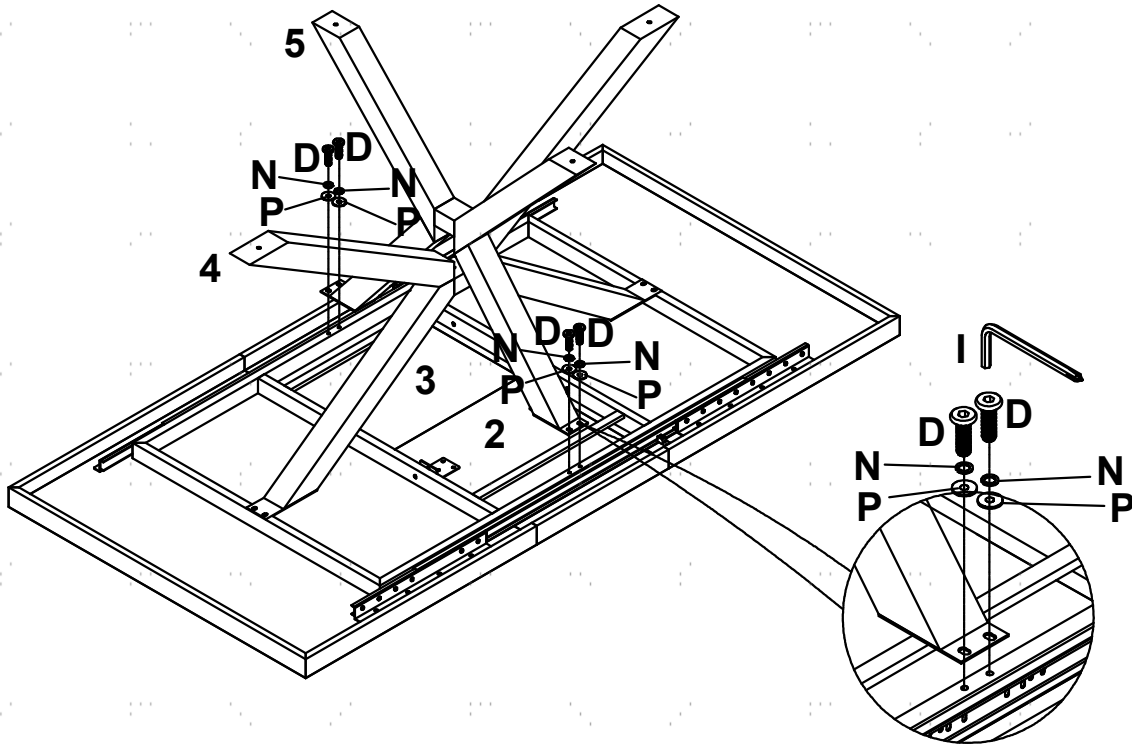
Step 10




D	M6×12	I	4 mm	N	10 mm	P	16 mm
							
x4		x1		x4		x4	

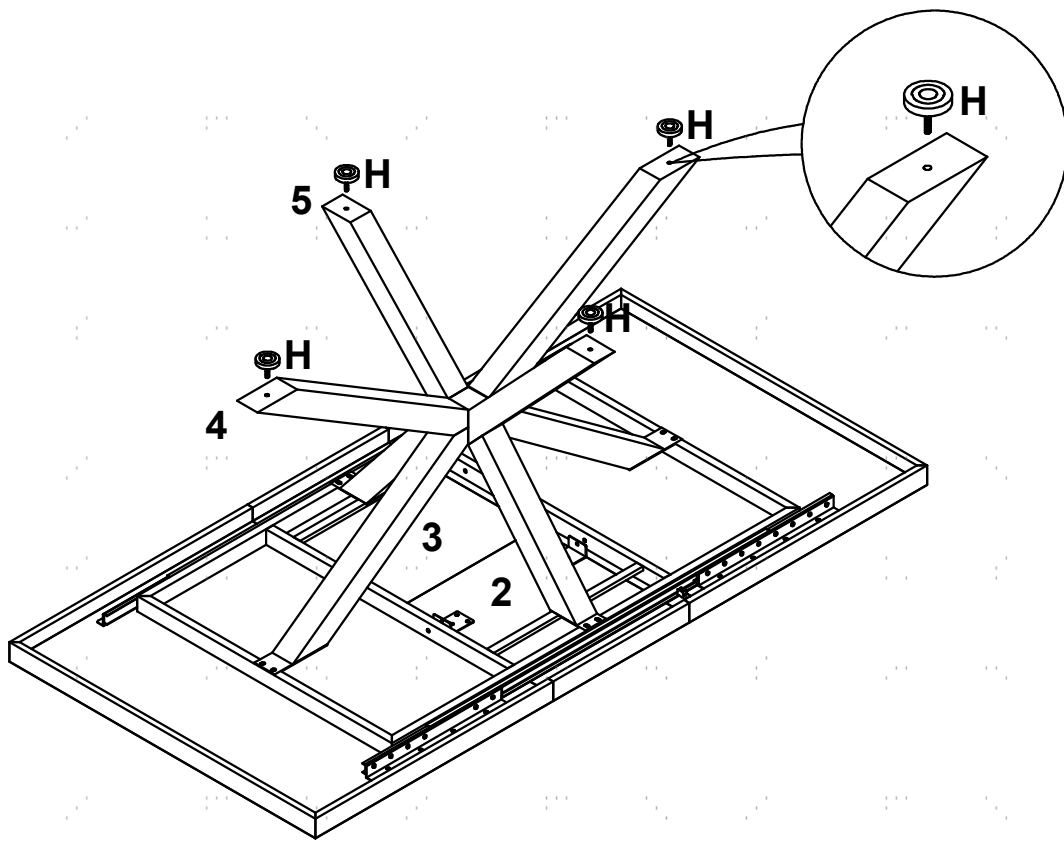
Step 11

D M6×12	I 4 mm	N 10 mm	P 16 mm
			
x4	x1	x4	x4



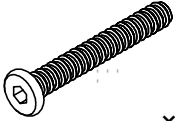



Step 12

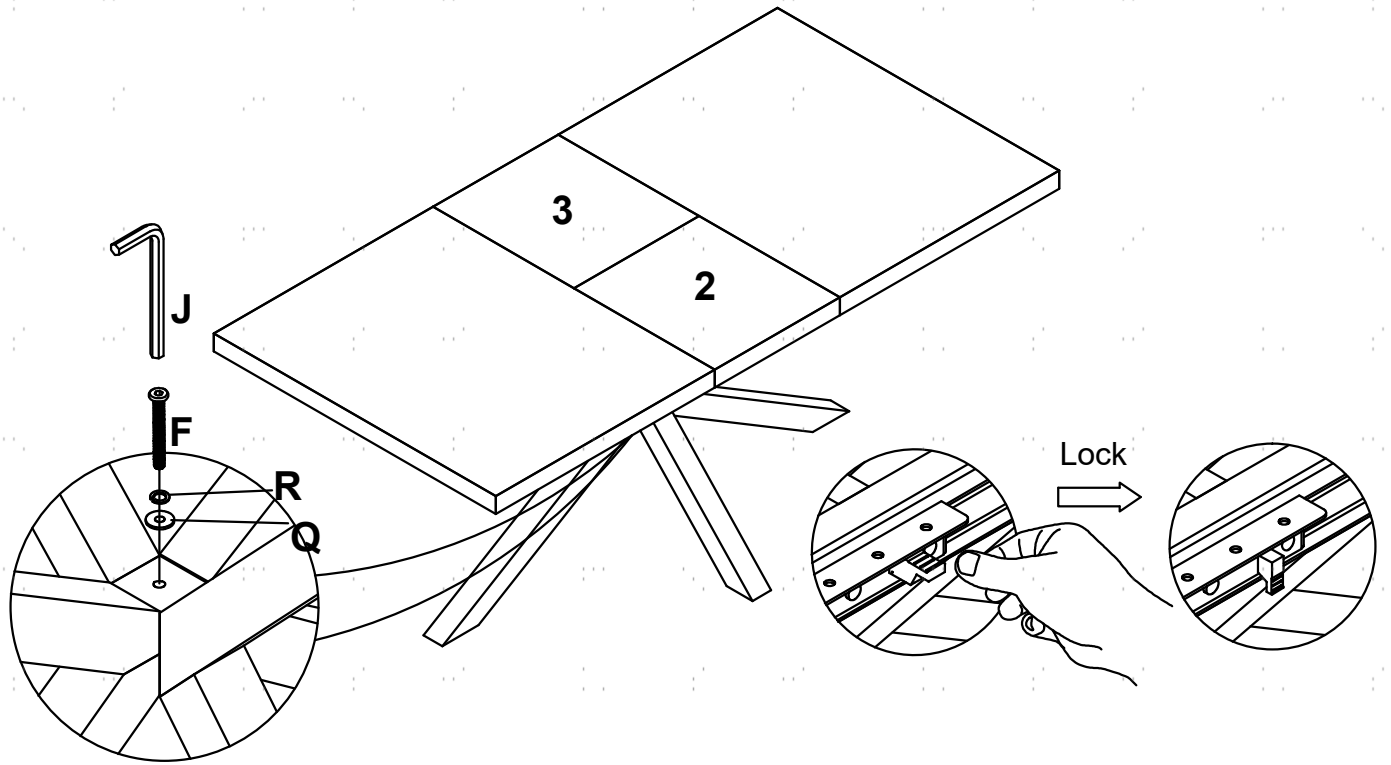
H

x4



Extended Style

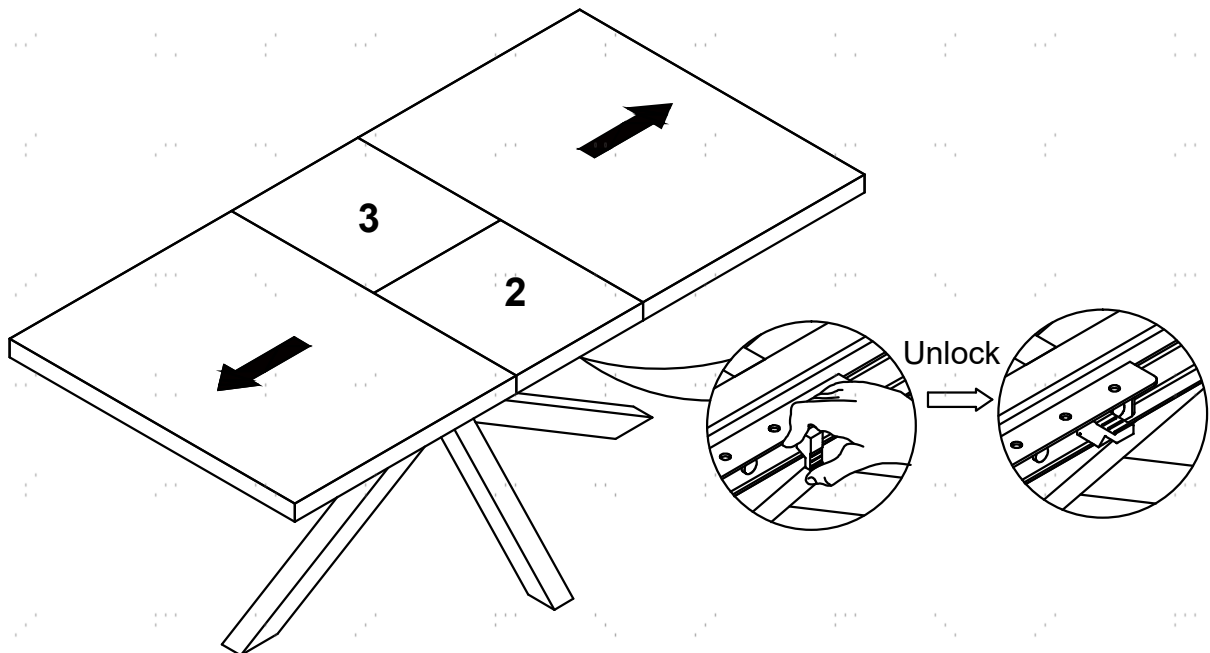
Step 13

F	M8×70	J	5 mm	Q	17 mm	R	11 mm
							
	x1		x1		x1		x1

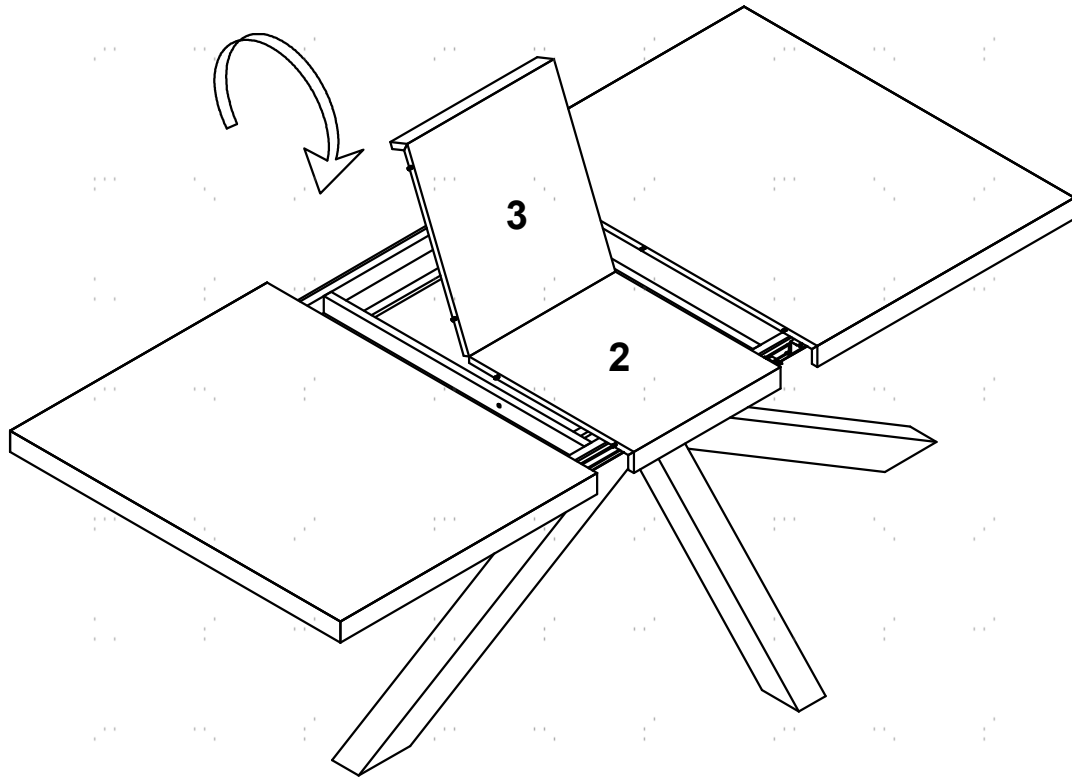


Compact Style



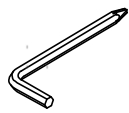
Step 14

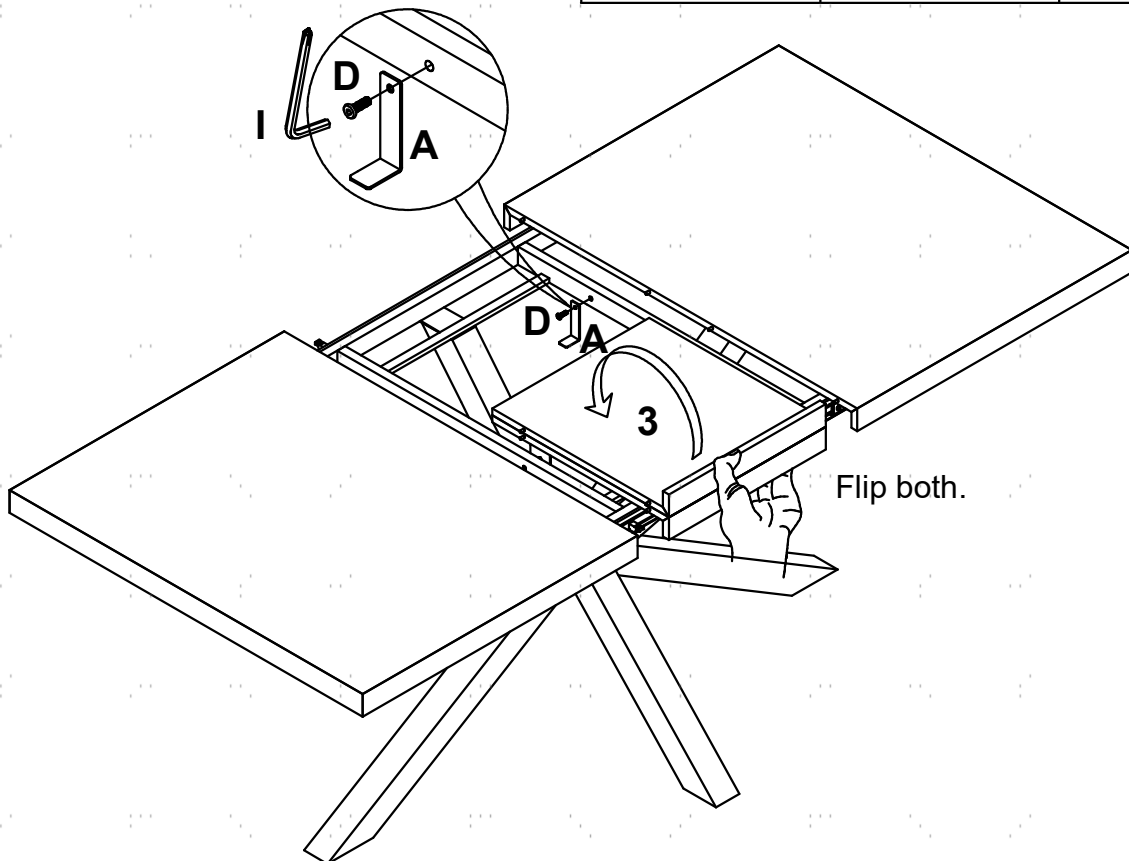


Step 15

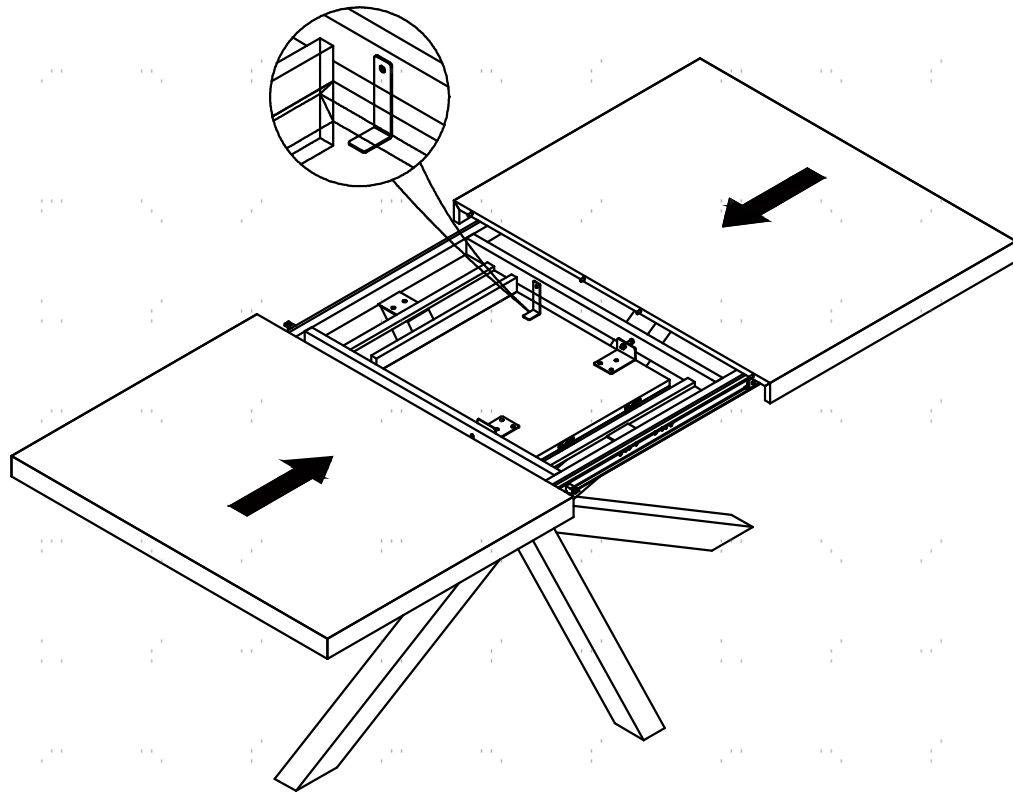


Step 16

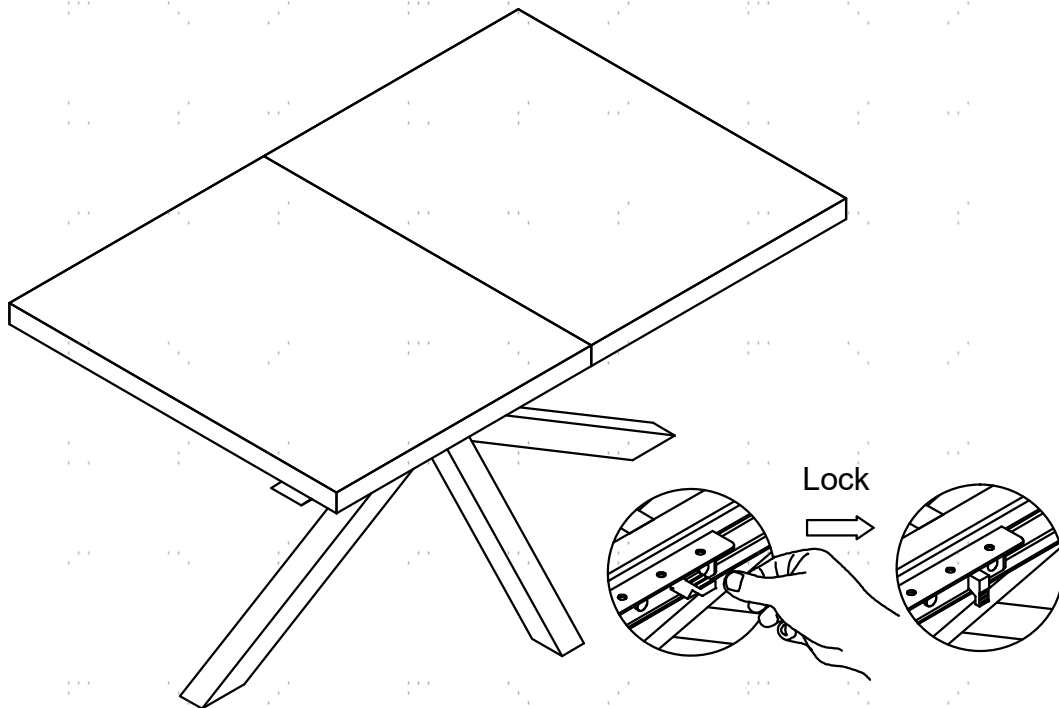
A  x1	D M6×12  x1	I 4 mm  x1
---	---	--



Step 17



Step 18



Contact Us

Thank you for choosing our products! Contact us at help@cs-supportpro.com if you have any questions or comments, and we'll resolve your issue ASAP!

For a .pdf copy of the latest version of these instructions, use the appropriate app on your smartphone to scan the QR code to the right.

