

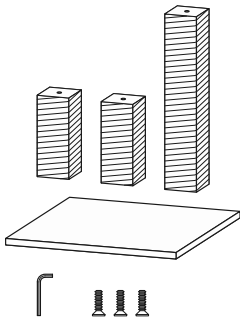
# Leopard Terrace

**read first** REVIEW BEFORE ASSEMBLY

• **TOOLS:** Allen wrench is included. No other tools are necessary.

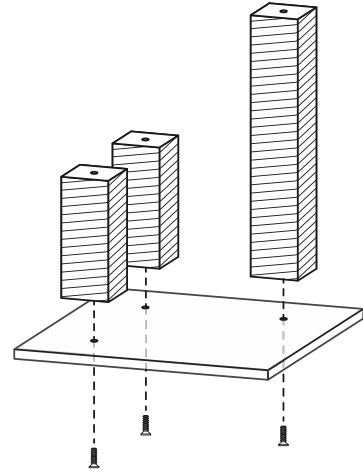
For assistance or replacement, please contact us

**1** To attach the **SCRATCHING POSTS** to the **BASE**, you will need these pieces:

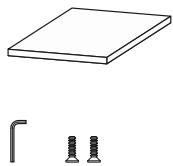


Insert the hex screws up through the bottom of the base into the scratching posts.

Tighten with the allen wrench to create stable connections.

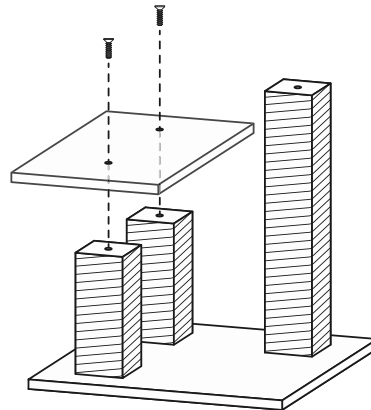


**2** To attach the **PLATFORM**, you will need these pieces:

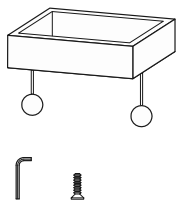


Insert the hex screws down through the platform into the two short scratching posts.

Tighten with the allen wrench to create stable connections.



**3** To attach the **DAY BED**, you will need these pieces:



Insert the hex screw down through the day bed into the tall scratching post.

Tighten with the allen wrench to create a stable connection.

