

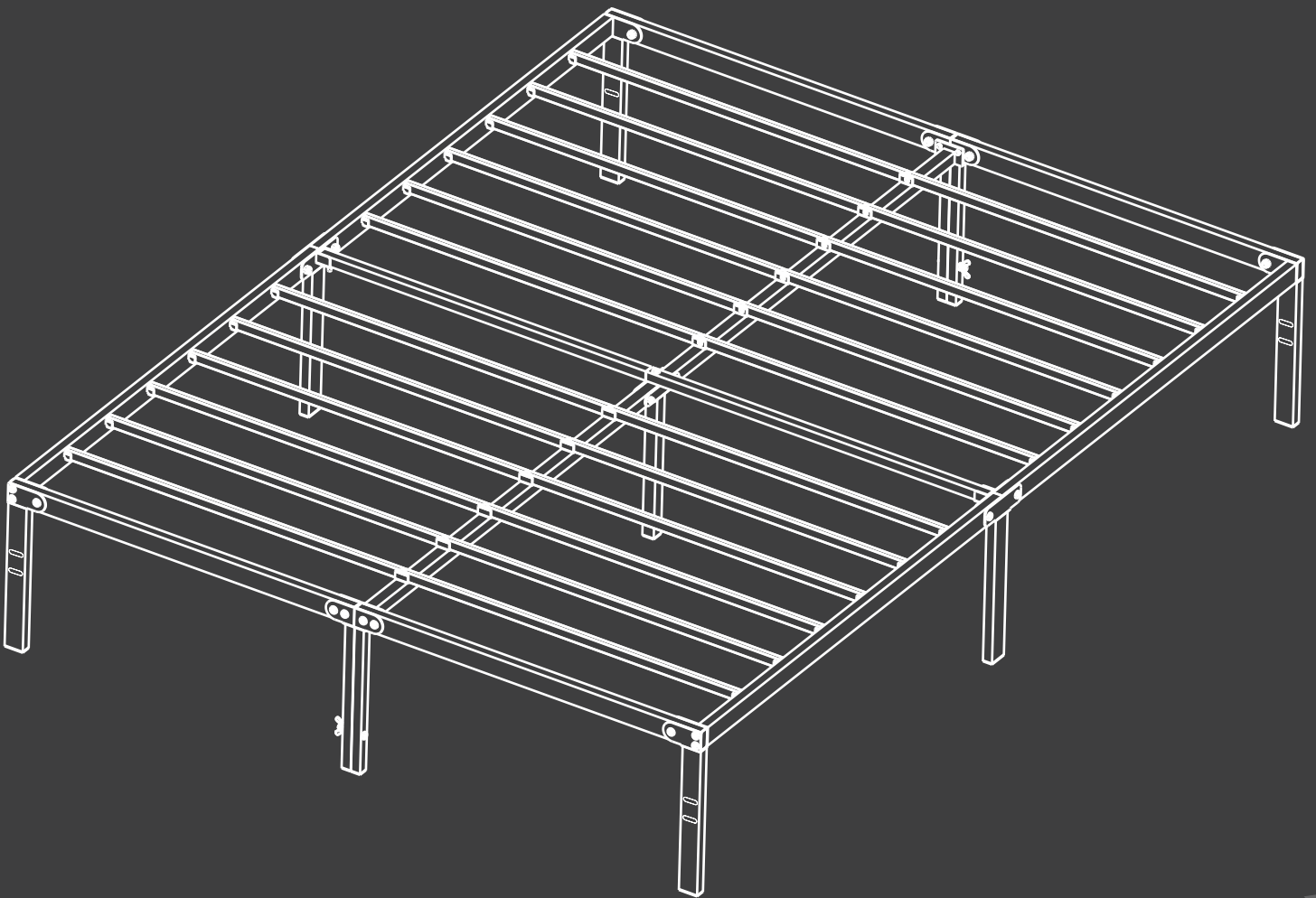
# Metal Platform Bed Frame

## Instruction Manual

BF-3611V2-FULL

BF-3611V2-QUEEN

BF-3611V2-KING



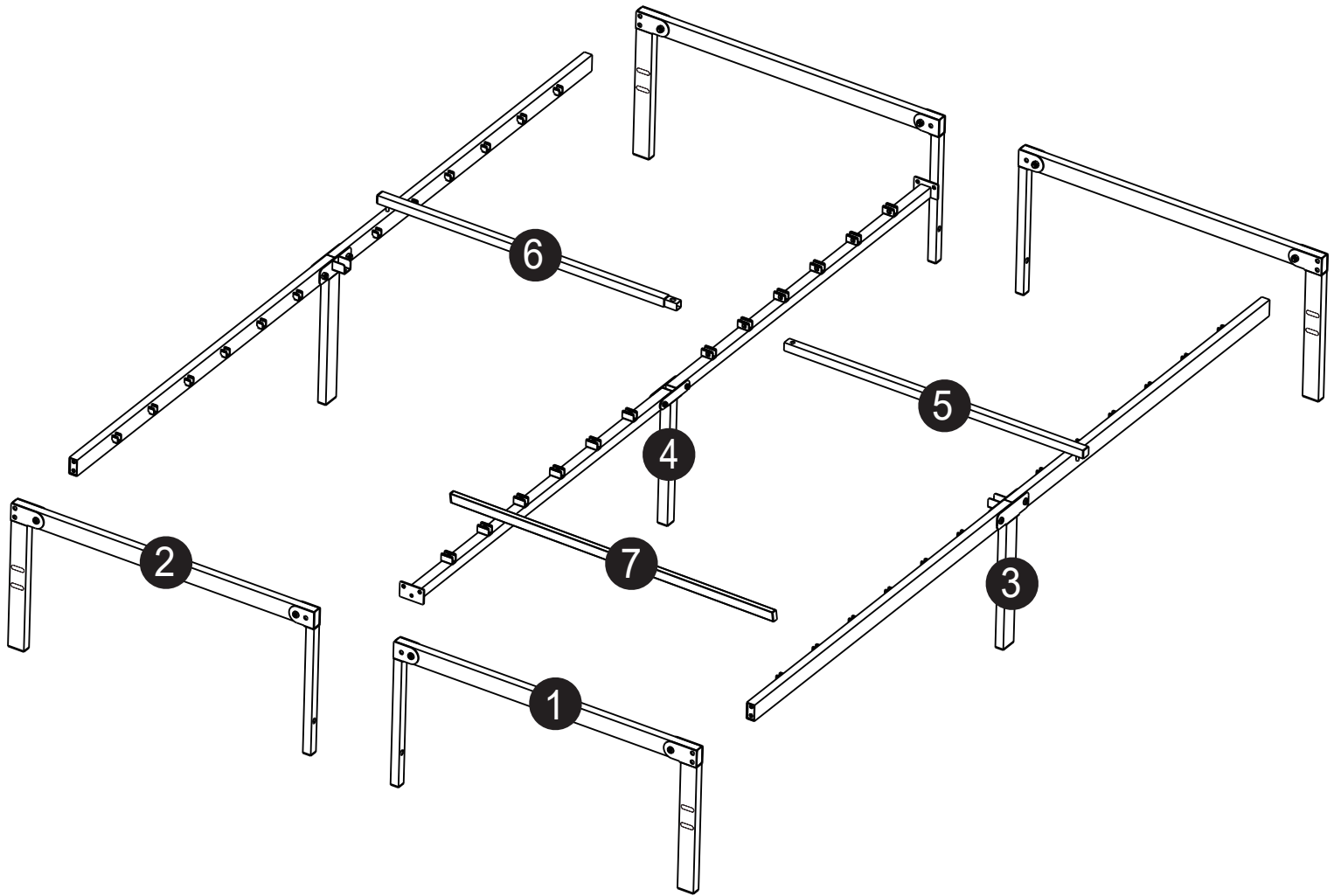
 EST 9:00AM--17:00PM

 [HJ-Customer-Service@outlook.com](mailto:HJ-Customer-Service@outlook.com)

 (909)637-7665 | (909)637-7593

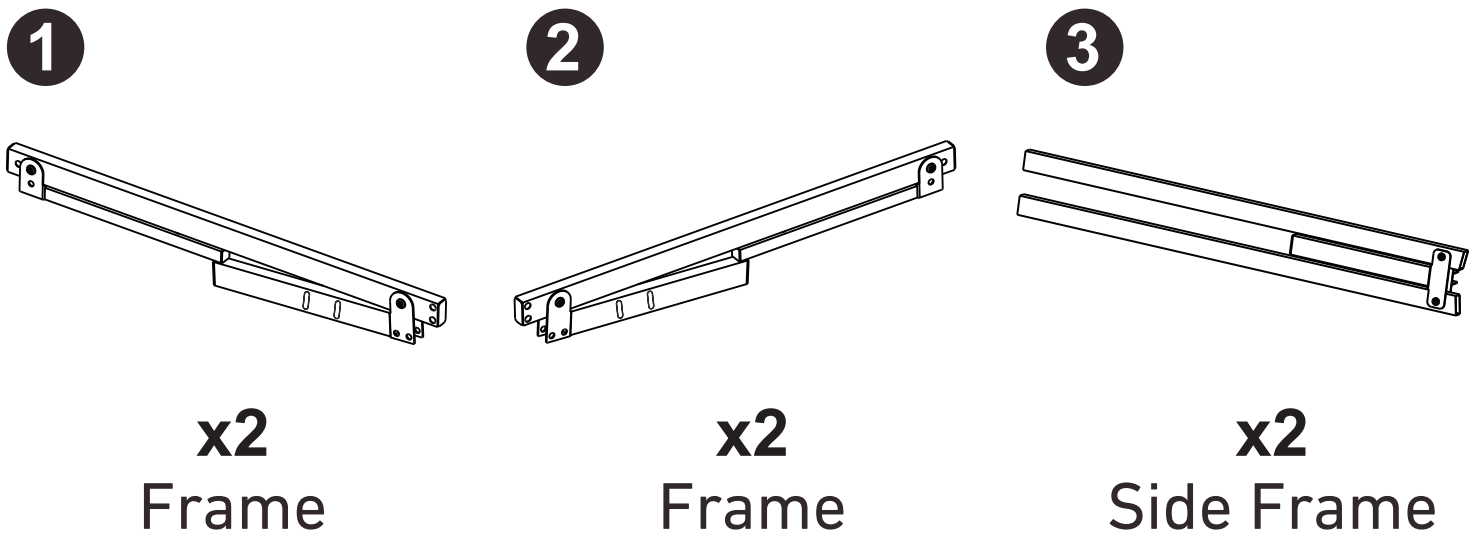
# 1 Component List

---

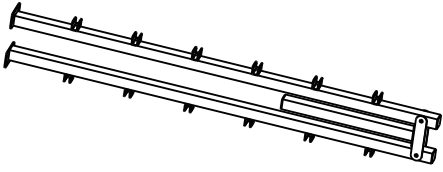


# 2 Package List

---

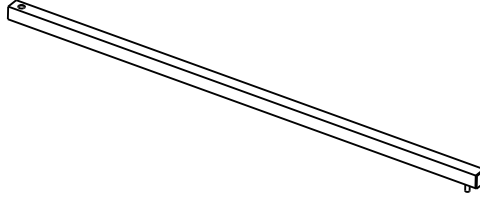


**4**



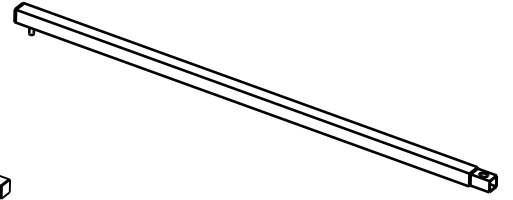
**x1**  
Middle Frame

**5**



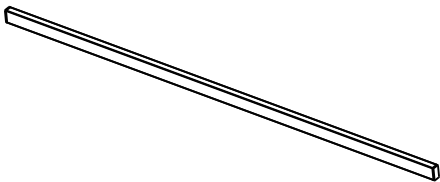
**x1**  
Center Slat

**6**



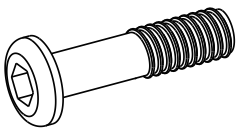
**x1**  
Center Slat

**7**



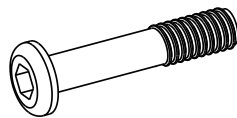
**x24**  
Slats

**A**



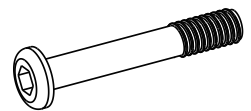
**x4**  
Screws  
M8 x 32mm

**B**



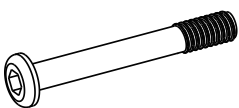
**x8**  
Screws  
M8 x 40mm

**C**



**x2**  
Screws  
M8 x 50mm

**D**

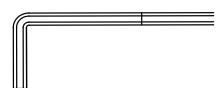


**x1**  
Screws  
M8 x 60mm

**E**



**x4**  
Nut  
M8



**x1**  
Wrench

# Step 1

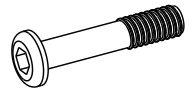
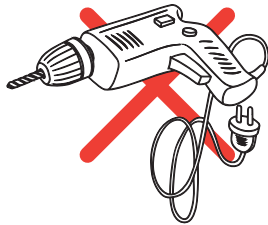
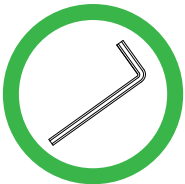
## ATTENTION

For longer use .

Re-tighten bolts every 3 months by using the enclosed allen-key.

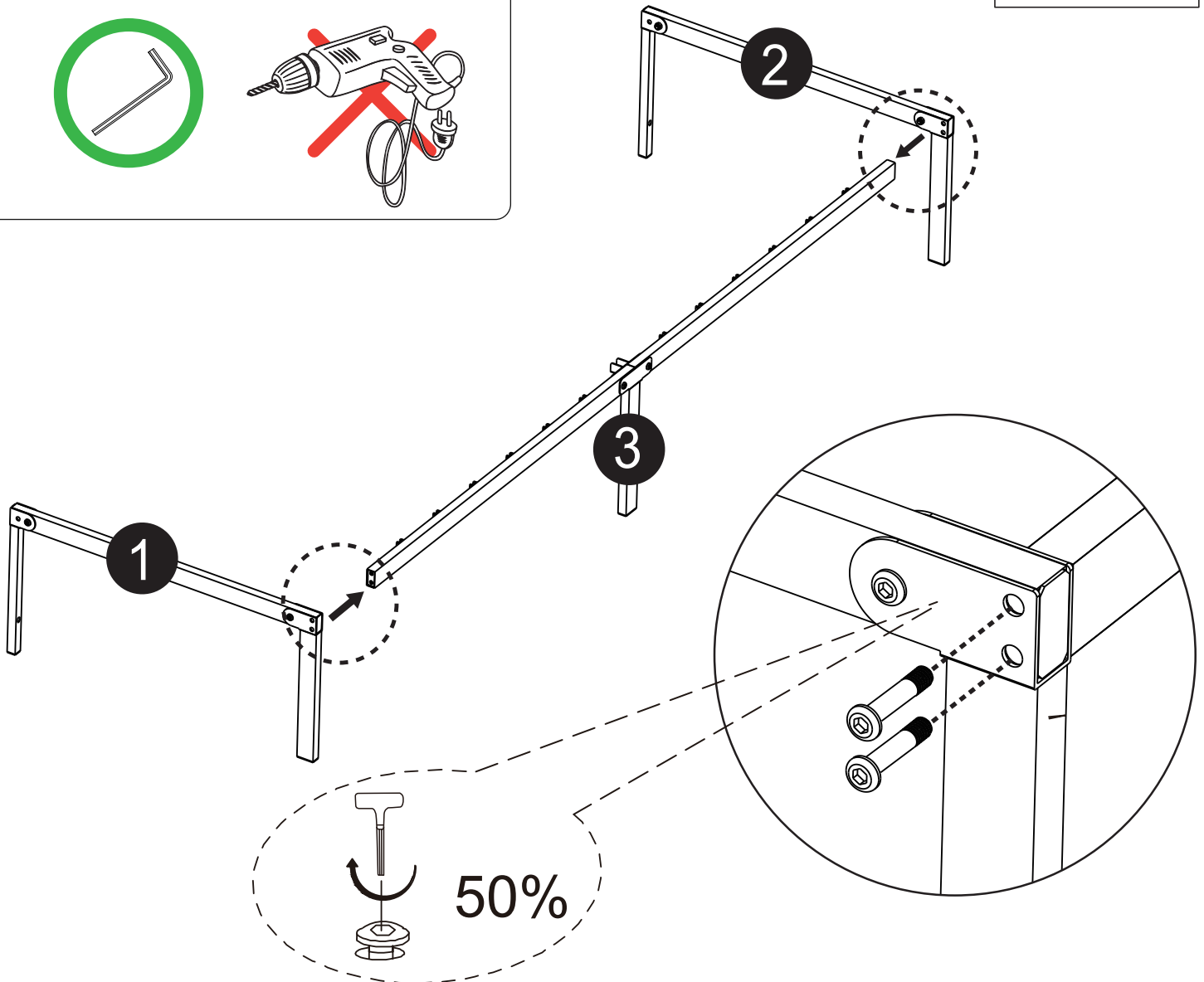
\*Using an electric drill can damage the frame.

Please re-tighten bolts manually .



M8 x 40mm

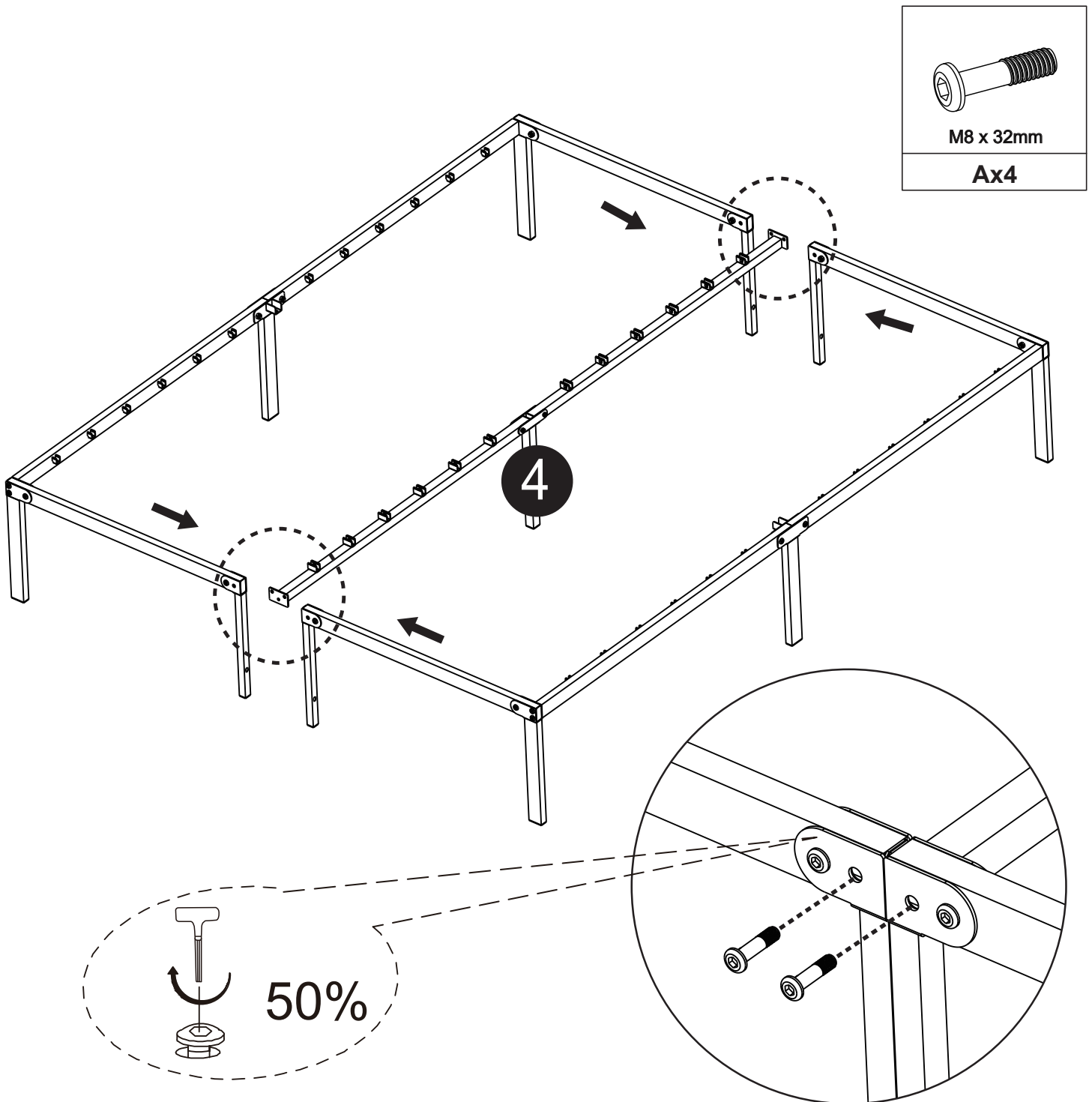
Bx8



Attach Side Frame **(3)** to the side of the Frames **(1&2)** with Screws **(B)\*4**. Repeat the same installation steps to get Two installed Frames.

**Note:** Fully expand the frame before installing the screws. Otherwise the screw cannot be twisted in. The screws are tightened by 50% first.

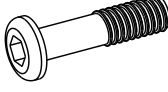

## Step 2

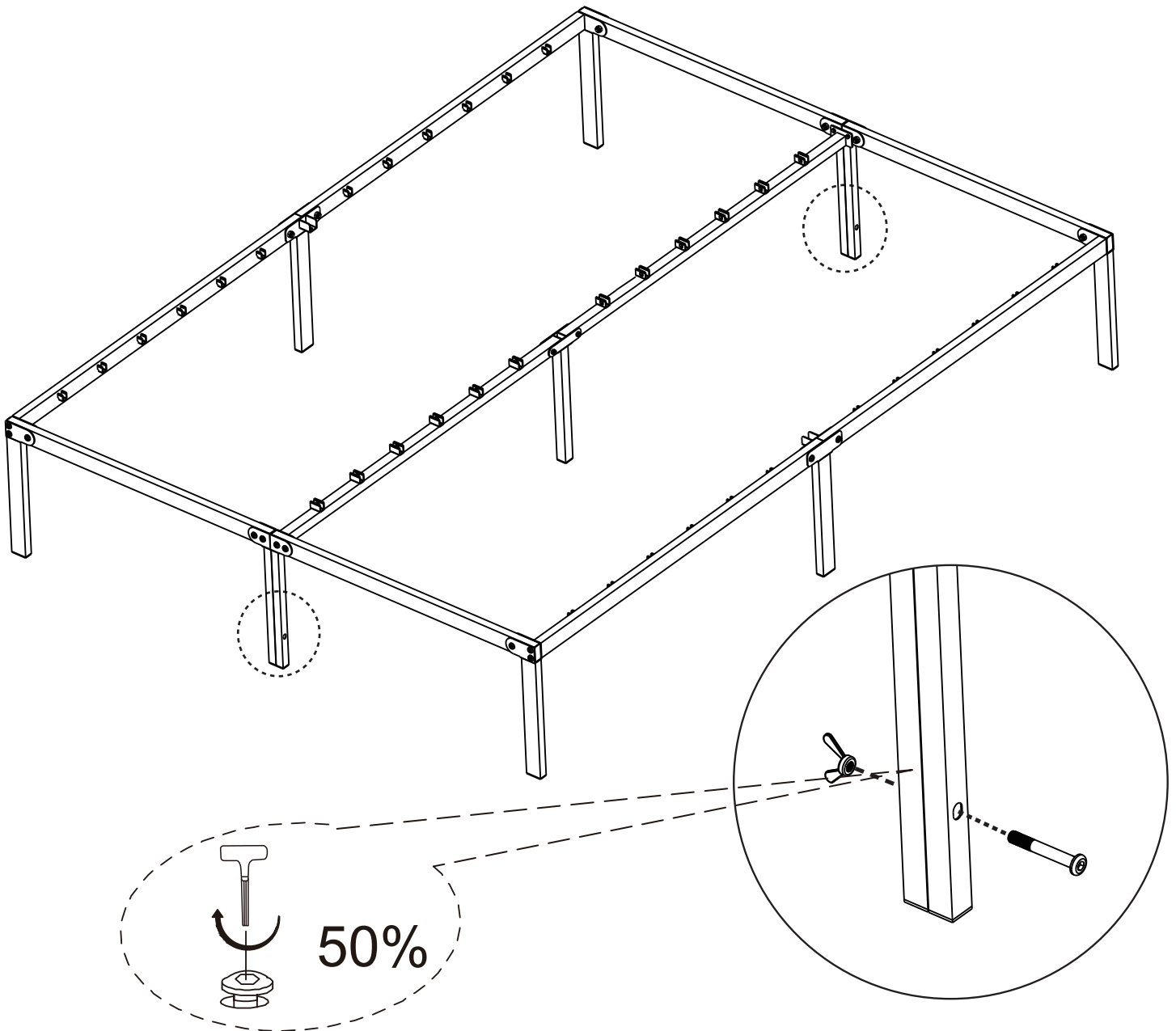


Align the head and tail of the Middle Frame **(4)** with the two installed Frames, and secure them completely with Screws **(A)\*4**.

**Note:** The screws are tightened by 50% first.

## Step 3

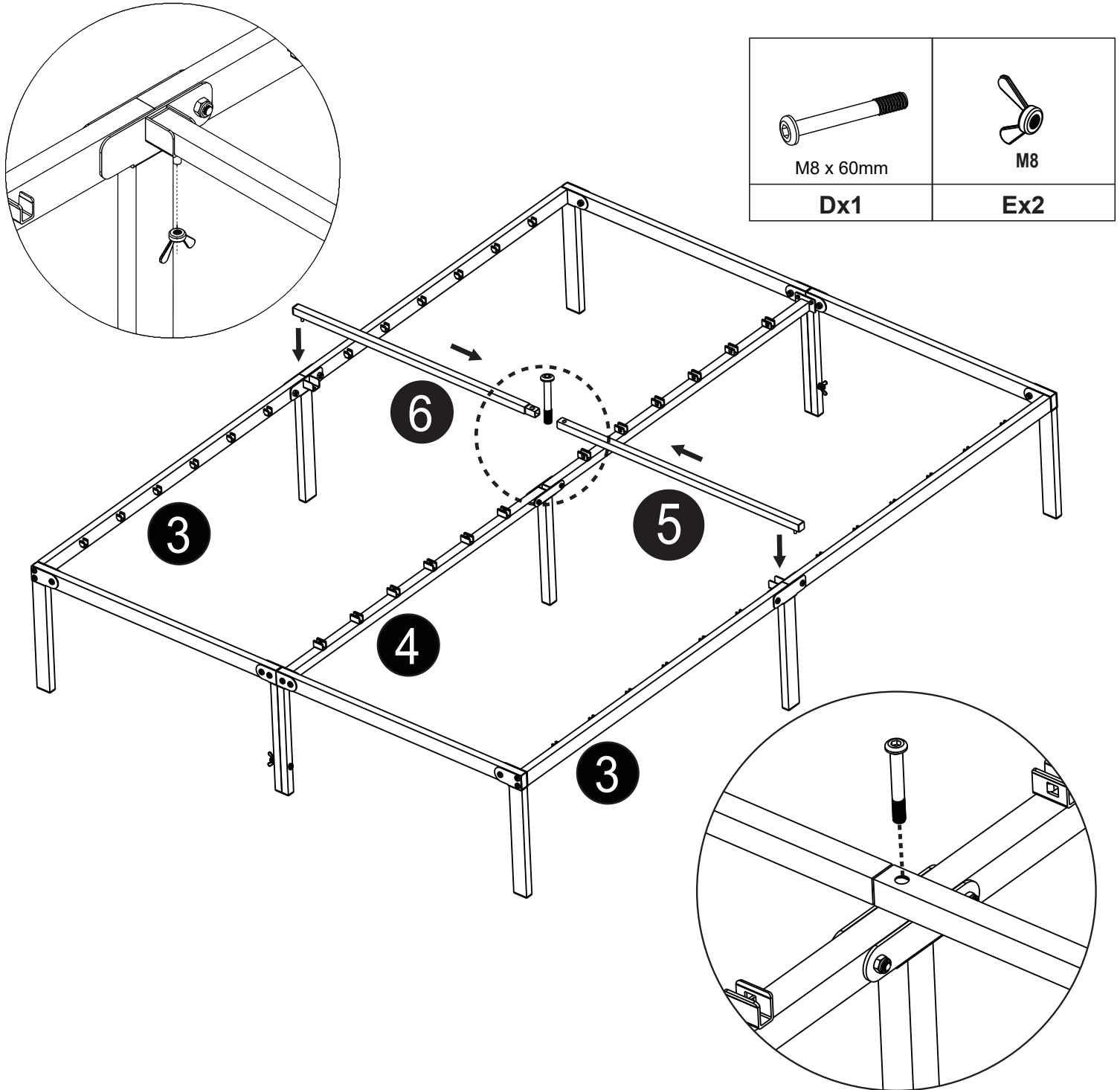
	
M8 x 50mm	M8
Cx2	Ex2



Align the screw holes on the legs of the two Frames, and secure them completely with Screws **(C)\*2** and Nut **(E)\*2**.

**Note:** The screws are tightened by 50% first.

## Step 4

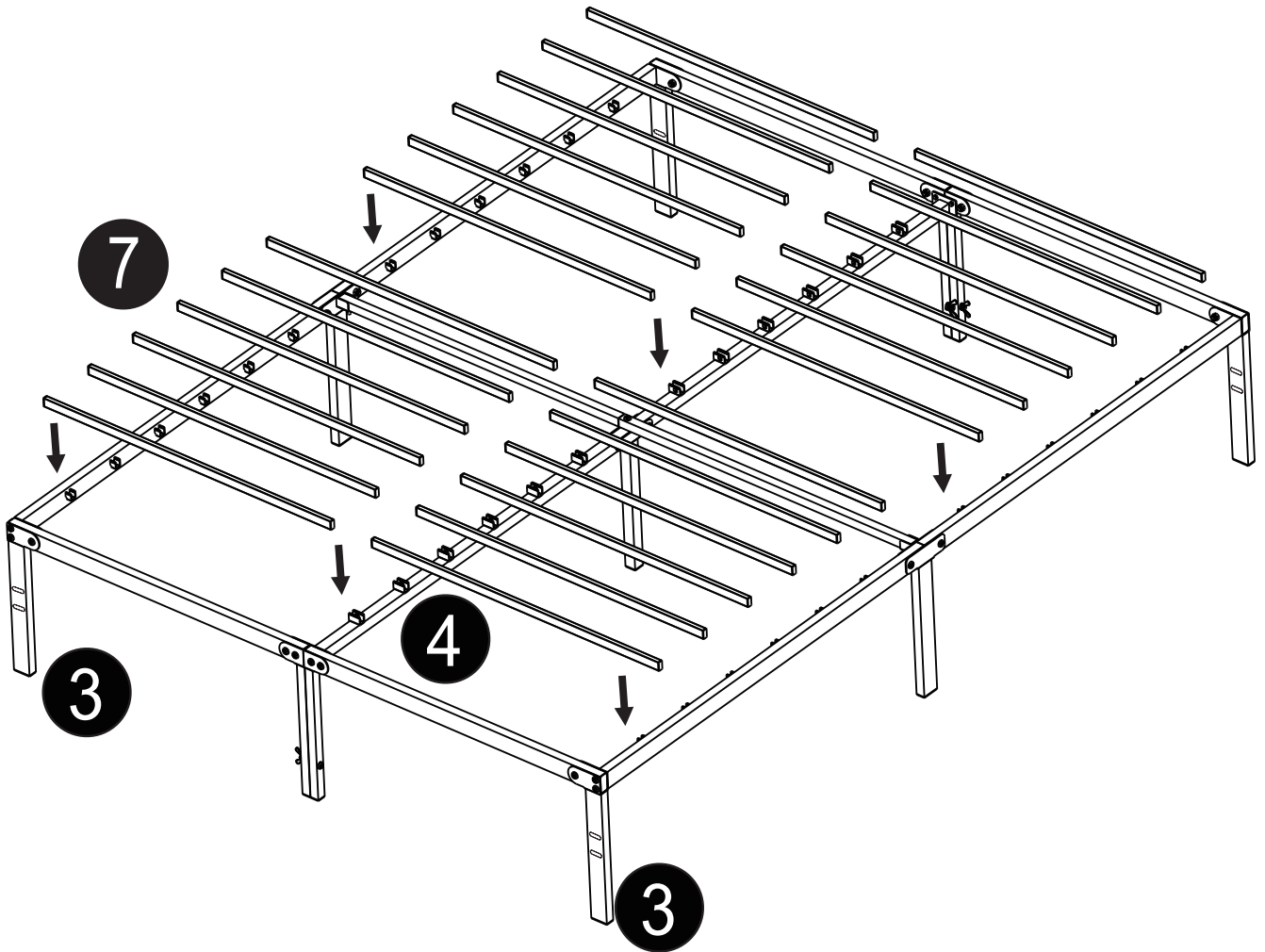


Insert Center Slat **(6)** into the Center Slat **(5)**. After fixing both, insert them onto the **groove** in the middle of the Side Frame **(3)\*2**, and fix the Center Slats **(5&6)** to the Middle Frame **(4)** with Screw **(D)\*1**. Finally, the Central Slat **(5)** and the Central Slat **(6)** are fixed with a Nut **(E)\*2**.

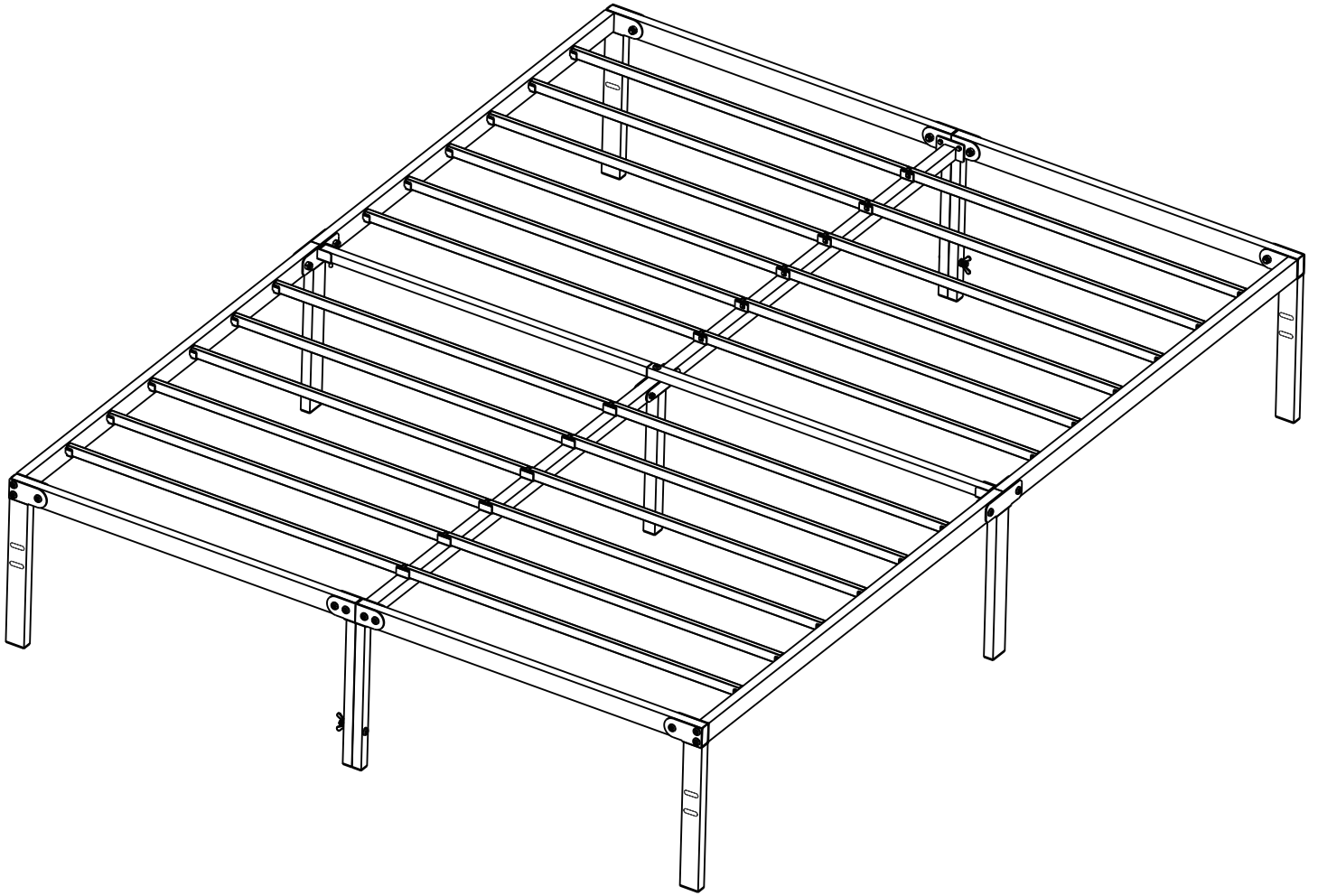
**Note:** Once installation is complete, tighten all screws 100%. Tighten the screws again every 3 months.

## Step 5

---



Insert Slats **(7)\*24** evenly onto **each groove** of the Frames **(3&4)**.



## Technical Support

(909)637-7665 | (909)637-7593

## Other Info

[HJ-Customer-Service@outlook.com](mailto:HJ-Customer-Service@outlook.com)

Thank you for choosing this product. We strive to provide you with the best quality products and service in the industry. Should you have any issues, please don't hesitate to contact us.