
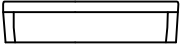
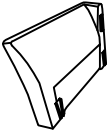
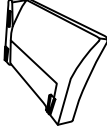


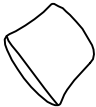

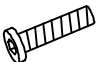



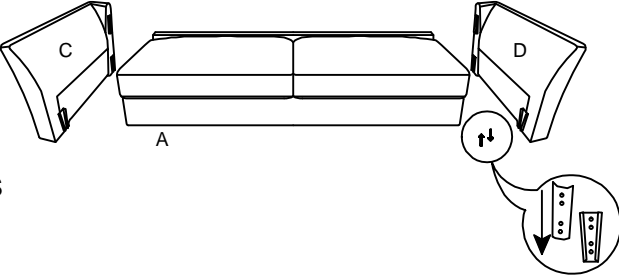
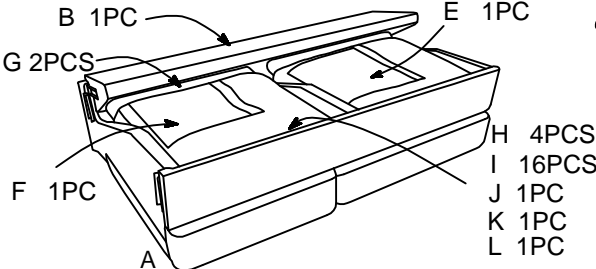


Assembly Instructions

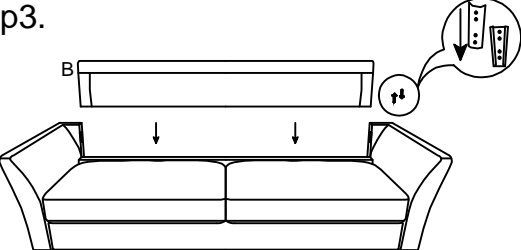
Parts List			
A  1PC	B  1PC	C  1PC	D  1PC
E  1PC	F  1PC	G  2PCS	H  4PCS
I  16PCS	J  1PC	K  1PC	L  1PC

Step1. Back Cushion (E/F) , Pillows(G), Backrest (B) , Legs (H/K) And Hardware(I/J/L) Under The Seat.

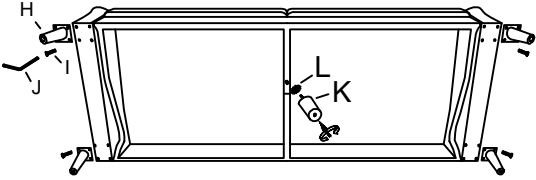
Step2.



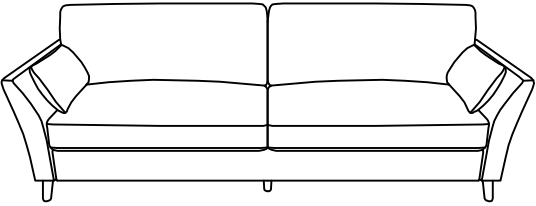
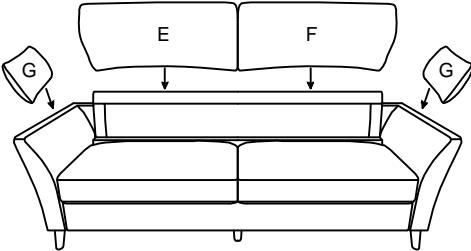
Step3.




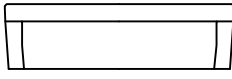
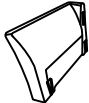







Step4.



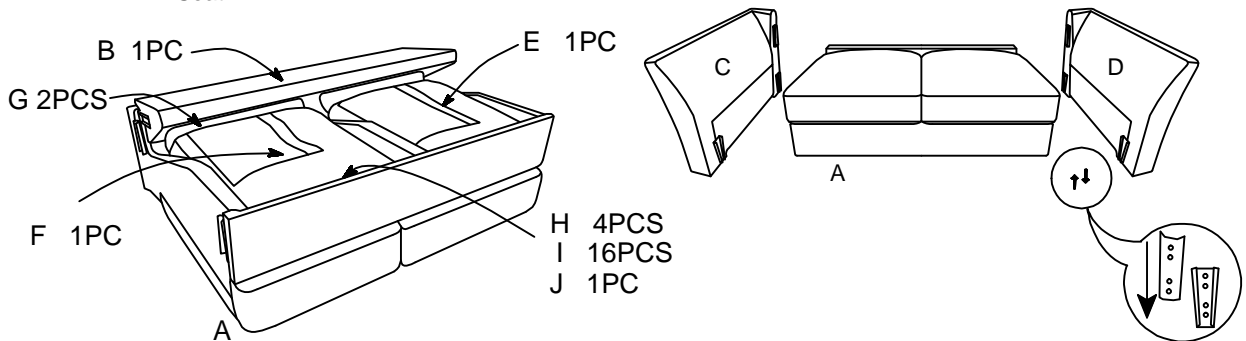
Step5.



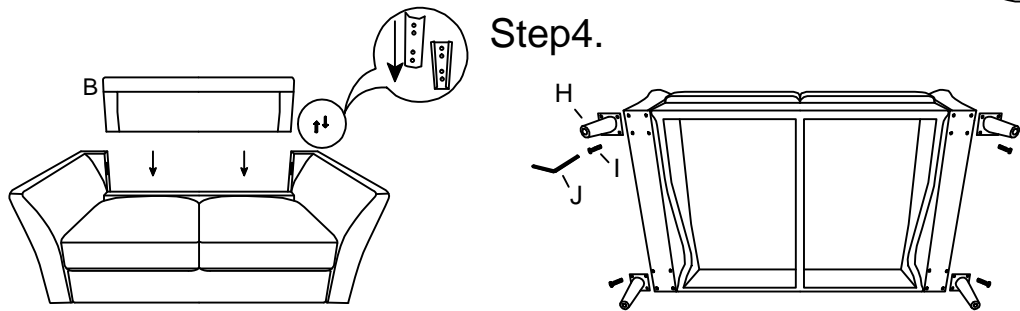
Assembly Instructions

Parts List			
A		B	
1PC		1PC	
C		D	
1PC		1PC	
E		F	
1PC		1PC	
G		H	
2PCS		4PCS	
I		J	
16PCS		1PC	

Step1. Back Cushion (E/F) , Pillows(G), Backrest (B)
Step2. , Legs (H) And Hardware(I/J) Under The Seat.



Step3. **Step4.**



Step5.

