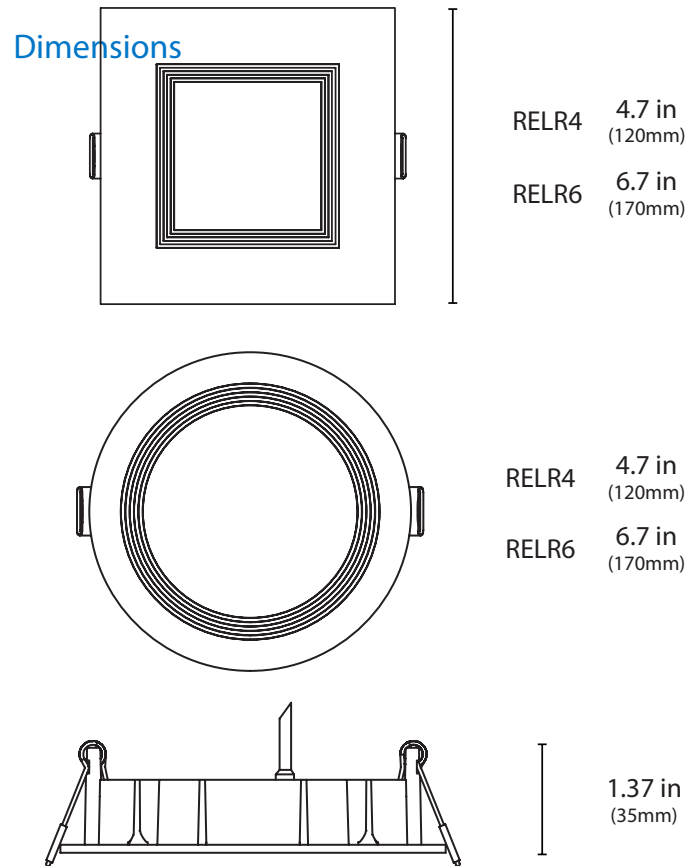




# REL-R

## Edge-Lit Regressed LED Downlight

The RELS-R offers a regressed design to bring depth and a clean aesthetic to any room. It's high-performance, edge-lit technology, and five CCT selectability provide ultimate customization. Each canless REL downlight features adjustable spring-loaded retention tabs for a secure installation, eliminating the need for a J-box or recessed housing.



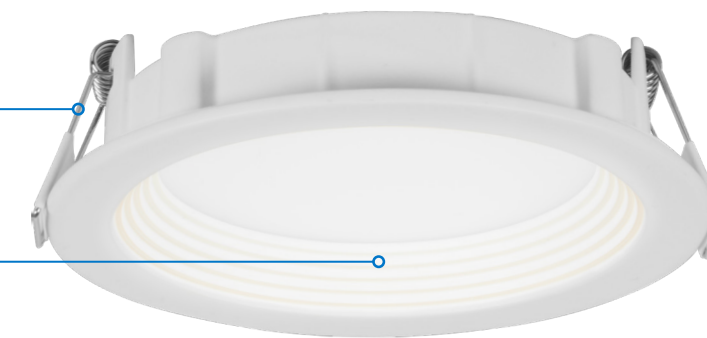
## FEATURES

### Easy Installation

Spring loaded retention tabs for easy installation into ceilings

### Dimmable

Dimmable to 5% with compatible TRIAC and ELV dimmers

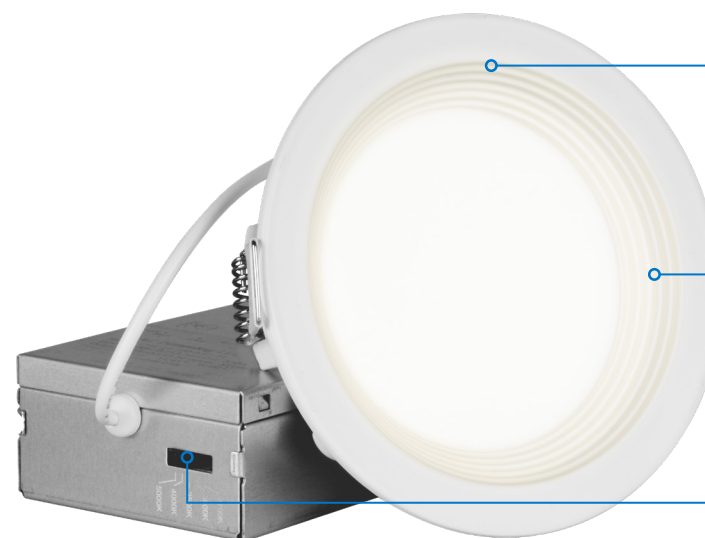


### Cast-Aluminum Housing

Routes heat away from electrical components

### Regressed Design

Creates uniform light distribution that maximizes lumen output



### CCT Selectable

Offered in 5CCT selection of 2700K, 3000K, 3500K, 4000K, or 5000K

**CRI 90+**  
**R9 >50**

**Lumens 650-950+**

**Lifetime >54000 hrs**

**Beam Angle 109°-114°**



Ordering Information							Example: REL61120SRDRWH
Series	Version	Voltage	CCTs	Trim Shape	Fixture Type	Trim Color	
REL4	1	120	S (Selectable)	R (Round)	R (Regressed)	WH (White)	
REL6				Q (Square)			

Recommended Dimmers*		Accessories
Lutron Skylark SELV-300P	Lutron DIVA DVELV-300P	(2') Extension Cable for REL
Lutron Skylark SCL-153P	Lutron MAELV-600	(10') Extension Cable for REL
Lutron Skylark CT-603PG	Lutron PD-10NXD	(3", 4", 6") Frame for remote driver fixtures

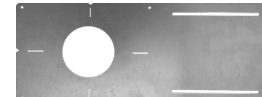
\*Not a complete list. Check compatibility before installation



# Downlight Accessories

## Roughin Templates

The Roughin Template can be used with most NICOR remote driver fixtures to act as both a cutting guide and wiring location indicator. Made from galvanized steel.



ROUGHIN-TEMPLATE-2



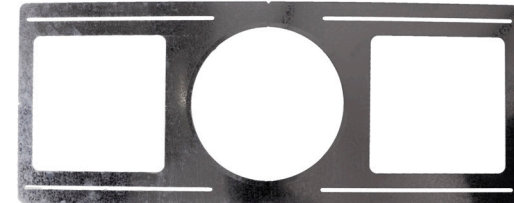
ROUGHIN-TEMPLATE-3



ROUGHIN-TEMPLATE-4



ROUGHIN-TEMPLATE-6

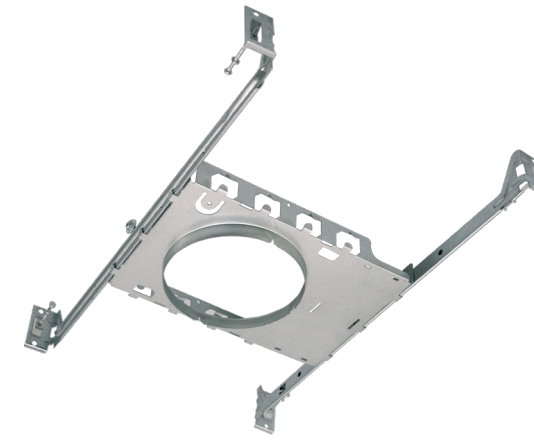


ROUGHIN-TEMPLATE-8

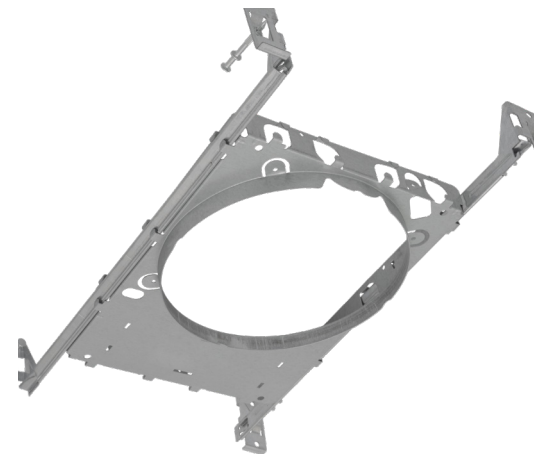
Compatible Fixtures		
Model	Dimensions	Fixtures
ROUGHIN-TEMPLATE-2	13" x 6"	(2") DGD, DRD, DQD
ROUGHIN-TEMPLATE-3	26" x 6"	(3") RELS, DGD
ROUGHIN-TEMPLATE-4	26" x 6"	(4") REL, RELS, RELS-R, DGD, DGC, DGF
ROUGHIN-TEMPLATE-6	26" x 8.5"	(6") REL, RELS, RELS-R, REL6-UNV, CLR6
ROUGHIN-TEMPLATE-8	26" x 10"	(8") REL, RELS, CLR8S, CLR8H

## Roughin Frames

These frames are designed to aid in the installation of the Canless Downlights by providing a clear location for wire pull and to act as a cutting template after ceiling finish. It is suitable for use in residential and commercial applications.



DLE4-ROUGHIN-FRAME



DLE6-ROUGHIN-FRAME

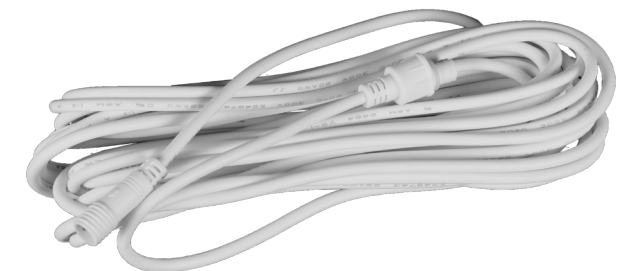
Compatible Fixtures		
Model	Dimensions	Fixtures
DLE4-ROUGHIN-FRAME	7.88" x 5.75"	(4") REL, RELS, RELS-R, DGD, DGC, DGF
DLE6-ROUGHIN-FRAME	9.25" x 7"	(6") REL, RELS, RELS-R, REL6-UNV, CLR6

## Extension Cables

These 22 gauge extension cables span the distance between the light engine and remote driver of compatible NICOR fixtures. The cable is plenum rated for air handling space. For DGD, DQD, DRD, REL, and RELS applications. Comes in 2' and 10' lengths.



REL-EXTCABLE-02  
RELS-EXTCABLE-02  
DLE-EXTCABLE-24



REL-EXTCABLE-10  
RELS-EXTCABLE-10  
DRIVER-EXTCABLE-10/20

Compatible Fixtures		
Model	Cable Length	Fixtures
REL-EXTCABLE-02	2'	(4", 6", 8") REL
RELS-EXTCABLE-02	2'	(3", 4", 6", 8") RELS, (4", 6") RELS-R
DLE-EXTCABLE-24	24"	(2", 3", 4") DGD, DGC4, DGF4, DQD2, DRD2
REL-EXTCABLE-10	10'	(4", 6", 8") REL
RELS-EXTCABLE-10	10'	(3", 4", 6", 8") RELS, (4", 6") RELS-R
DRIVER-EXTCABLE-10	10'	(2", 3", 4") DGD, DGC4, DGF4, DQD2, DRD2
DRIVER-EXTCABLE-20	20'	(2", 3", 4") DGD, DGC4, DGF4, DQD2, DRD2

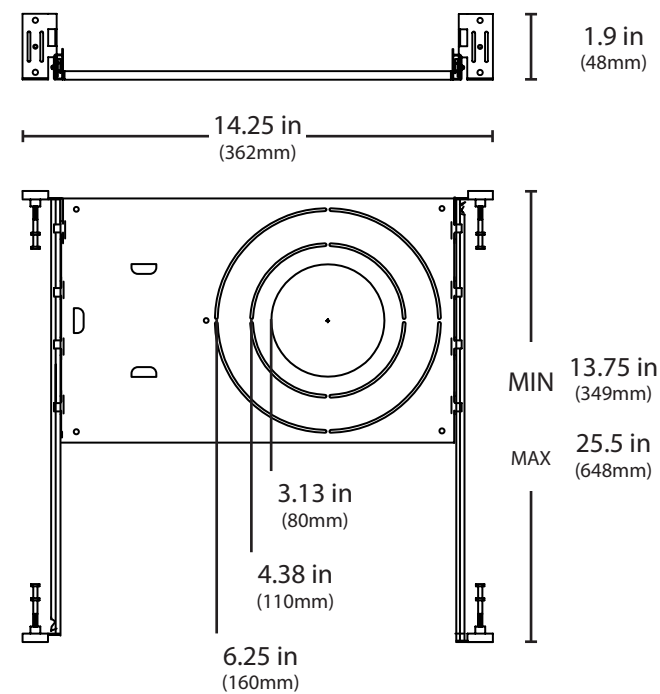


# MULTIFRAME

## Multi-Diameter Mounting Frame

The Multiframe can be used with many of NICOR's 3", 4" and 6" LED downlights with remote drivers. Providing a mounting location as well as a wiring location indicator, the Multiframe can simplify the installation of downlights that don't require a housing.

### Dimensions



# FEATURES

### Pre-Set Captive Nails

Allow for easy installation

### Durable Single-Piece Frame

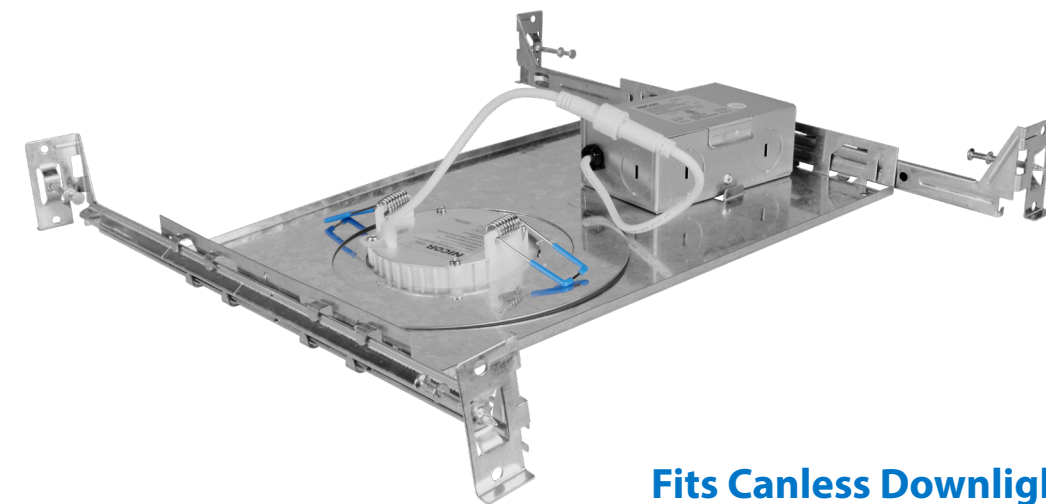
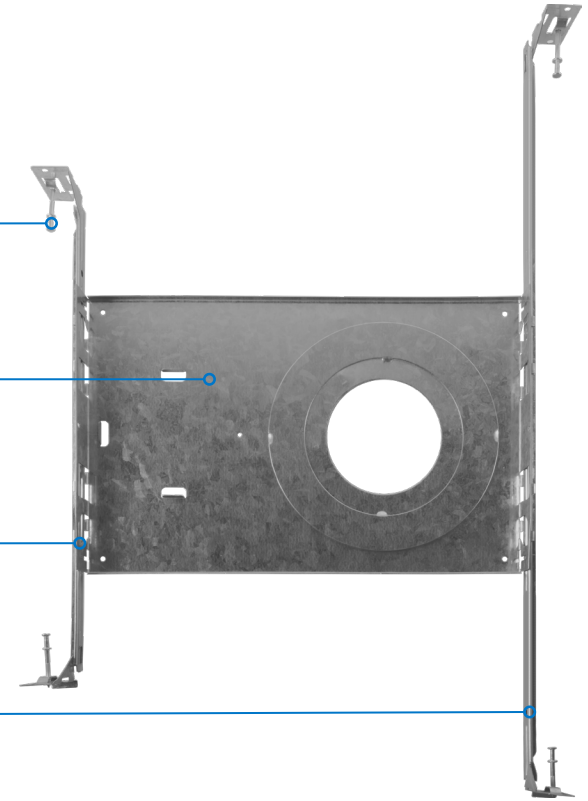
Constructed with 22-gauge steel

### New Construction Frame

With unique hangar bar lip design

### Fully Extendable

Hangar bars adjust from 13.75" to 25.5"



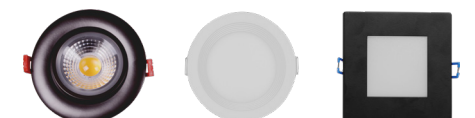
### Fits Canless Downlights

3-inch, 4-inch and 6-inch recessed downlights

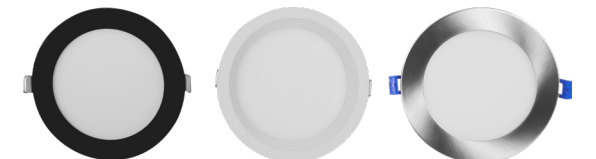
3-inch downlights



4-inch downlights



6-inch downlights



### Ordering Information

Example: MULTIFRAME-346-1

Series	Size	Version
MULTIFRAME	346	1

### Compatible Fixtures

(3") RELS, DGD
(4") REL, RELS, RELS-R, DGD, DGC, DGF
(6") REL, RELS, RELS-R, REL6-UNV, CLR6

