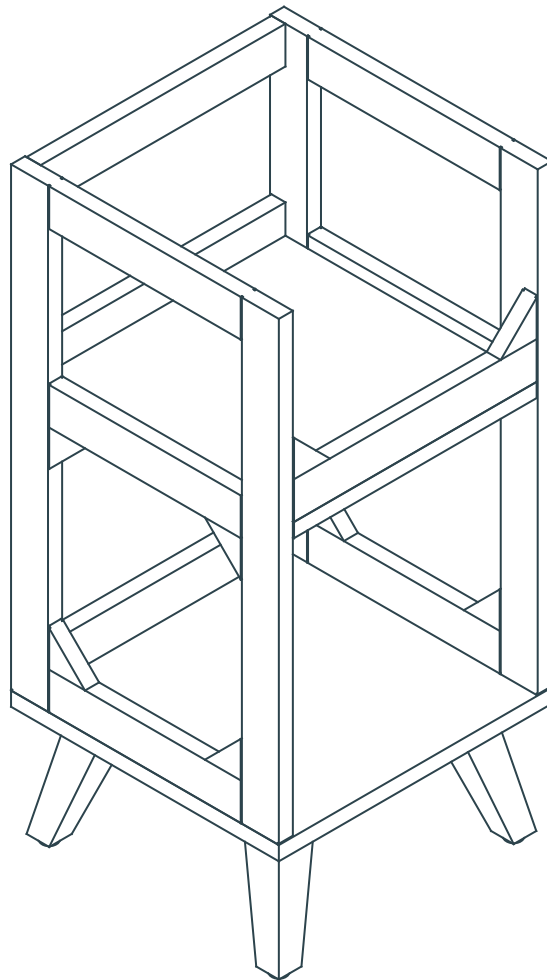
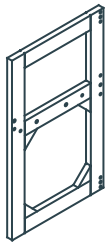
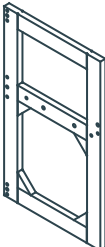
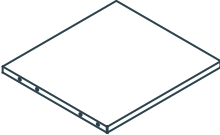
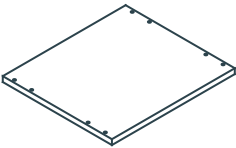
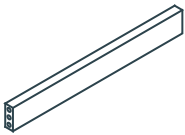
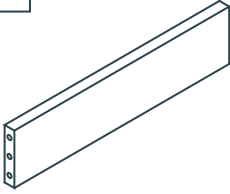
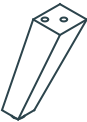
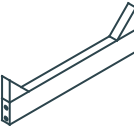


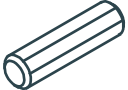









# Small Record Storage Stand



# PART LIST

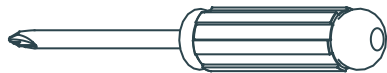
<b>A</b> 	<b>B</b> 	<b>C</b> 	<b>D</b> 	<b>E</b> 
Left Frame 1 PC	Right Frame 1 PC	Shelf Panel 1 PC	Bottom Panel 1 PC	Back Rail 2 PCS
<b>F</b> 	<b>G</b> 	<b>H</b> 		
Back Middle Rail 1 PC	Leg 4 PCS	Front Rail 1 PC		

# HARDWARE LIST

<p>#1</p>  <p>Ø8mm*1-1/8"</p>	<p>#2</p>  <p>Ø1/4"*1-3/4"</p>	<p>#3</p> 	<p>#4</p>  <p>Ø1/4"*1-1/4"</p>	<p>#5</p>  <p>Ø1/4"*5/8"</p>
<p>Wood Dowel 22 PCS (Extra 1)</p>	<p>Long Bolt 6 PCS (Extra 1)</p>	<p>Crescent Washer 6 PCS (Extra 1)</p>	<p>Medium Bolt 4 PCS (Extra 1)</p>	<p>Short Bolt 24 PCS (Extra 1)</p>
<p>#6</p> 	<p>#7</p> 	<p>#8</p> 	<p>#9</p>  <p>4mm</p>	<p>#10</p> 
<p>Metal Plate 4 PCS</p>	<p>Cam Bolt 6 PCS (Extra 1)</p>	<p>Cam Lock 6 PCS (Extra 1)</p>	<p>Allen Wrench 1 PC</p>	<p>Safety Strap Kit 1 SET</p>

## ADDITIONAL TOOLS (Not Provided)

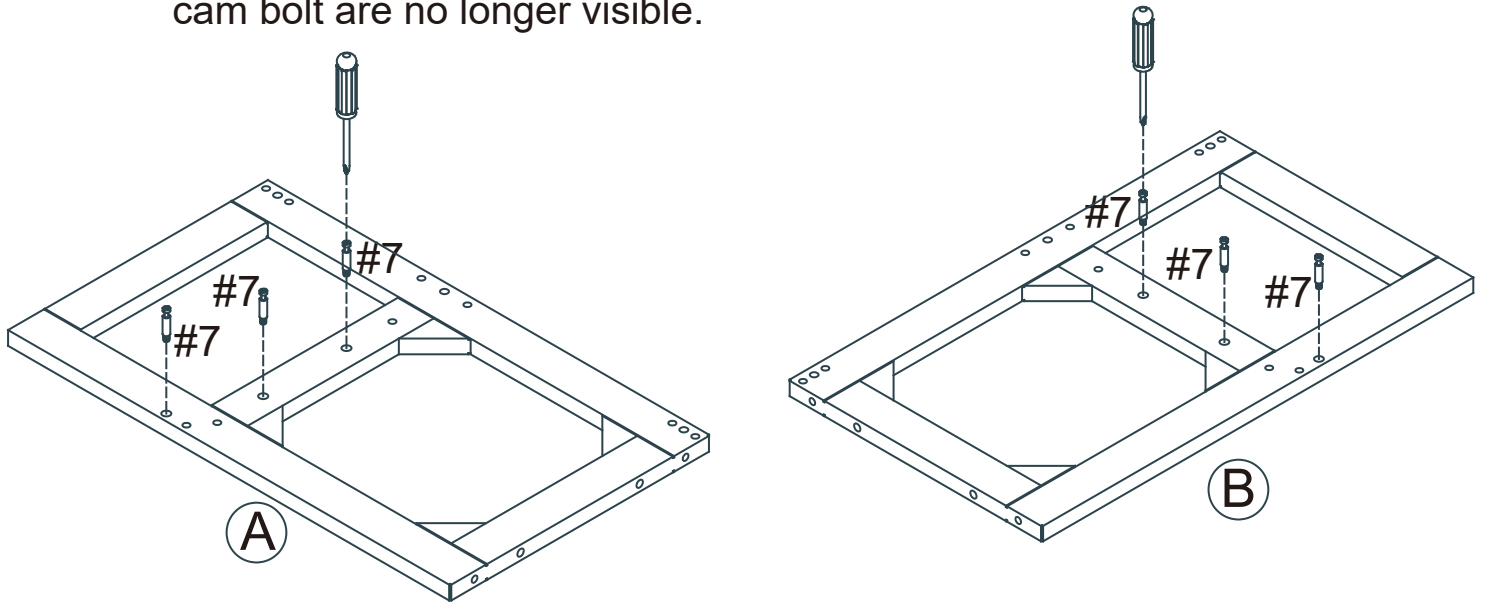
Note: It is not recommended to use power tools during assembly.



Phillips Head Screwdriver

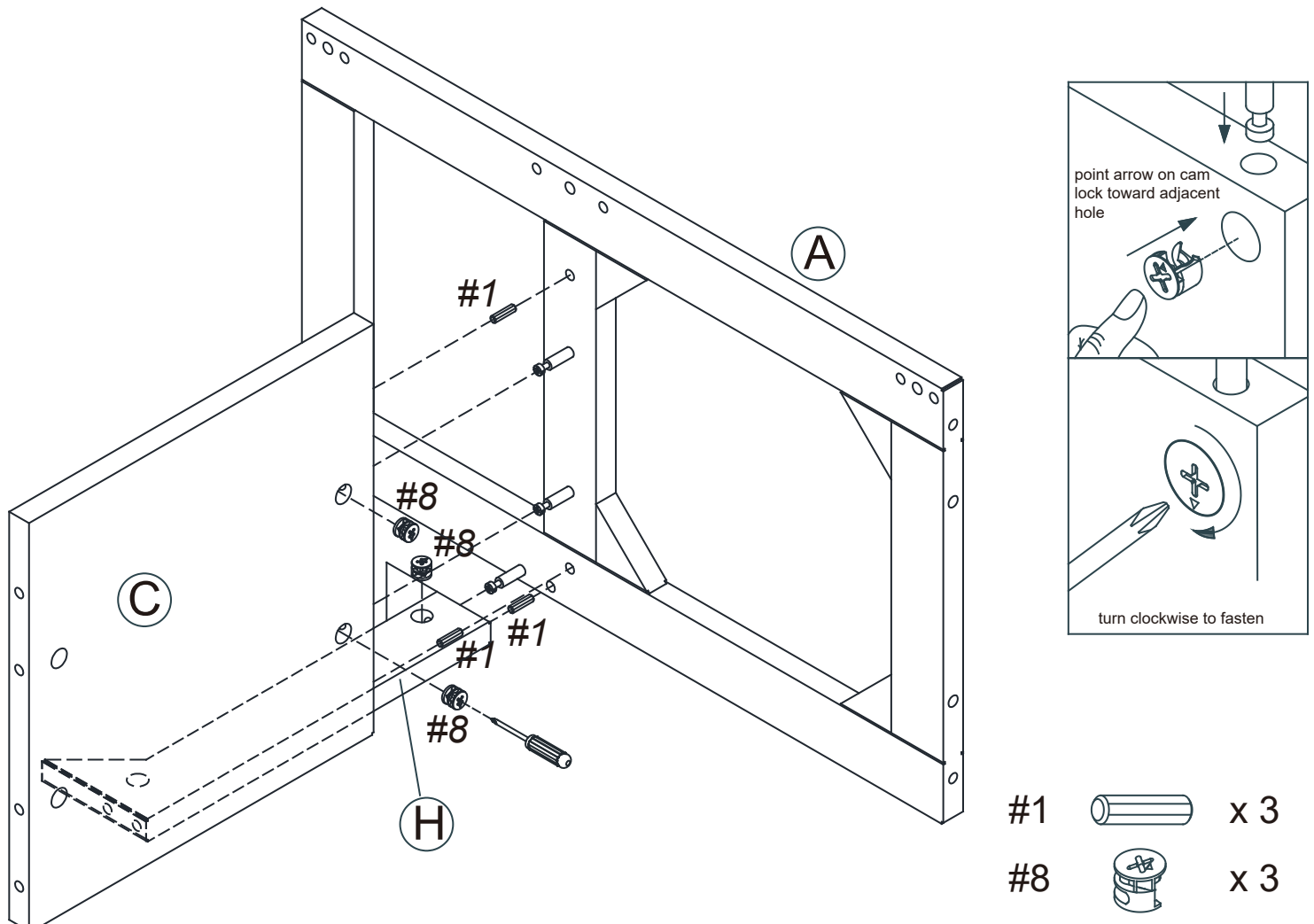
Note: Wood dowels are intended for alignment. Additional clearance between wood dowel and pre-drilled hole is intentional for ease of assembly.

Step 1. Attach cam bolts (part #7) to left frame (part A) and right frame (part B).  
 Note: Do not overtighten cam bolts. Stop tightening once threads on cam bolt are no longer visible.



#7  x 6

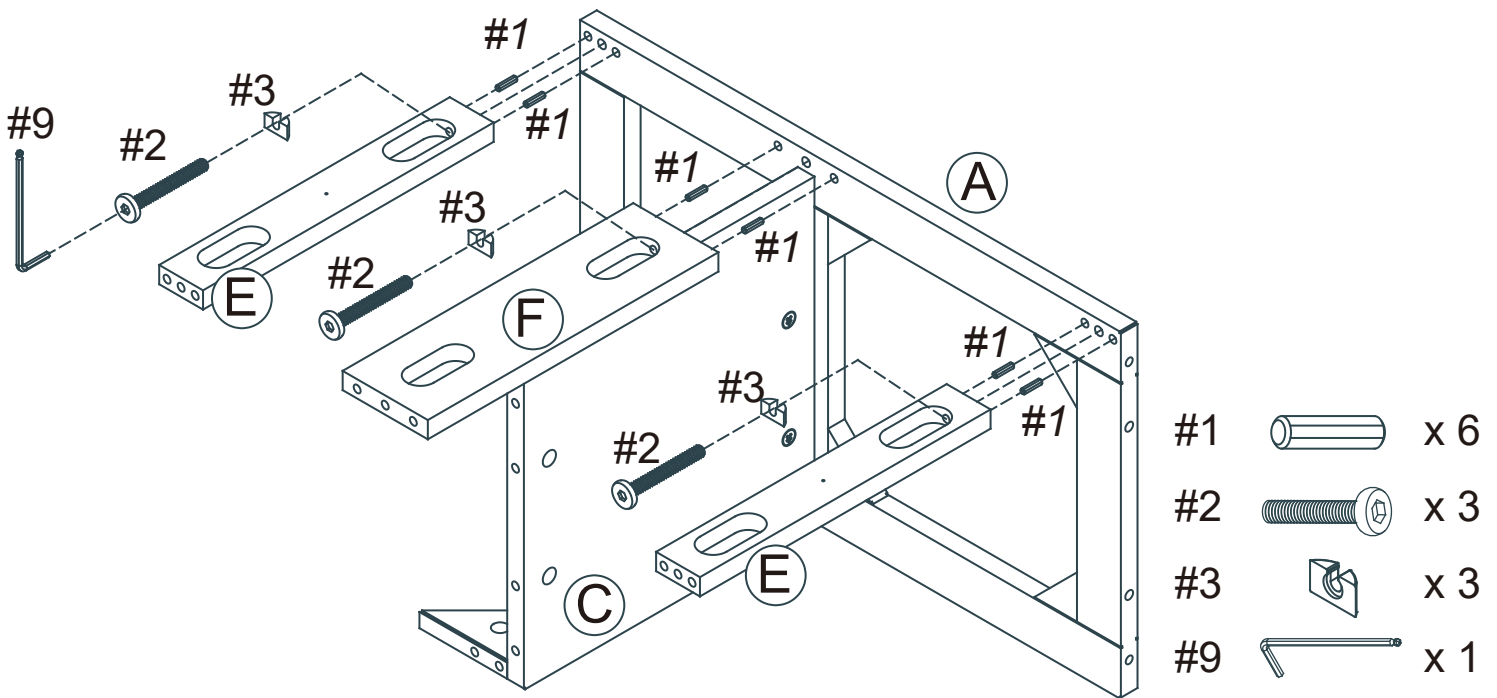
Step 2. Attach shelf panel (part C) and front rail (part H) to left frame (part A) using wood dowels (part #1), cam locks (part #8) and phillips head screwdriver.  
 Note: Cam locks must rotate a full 180°. See pictured insert.



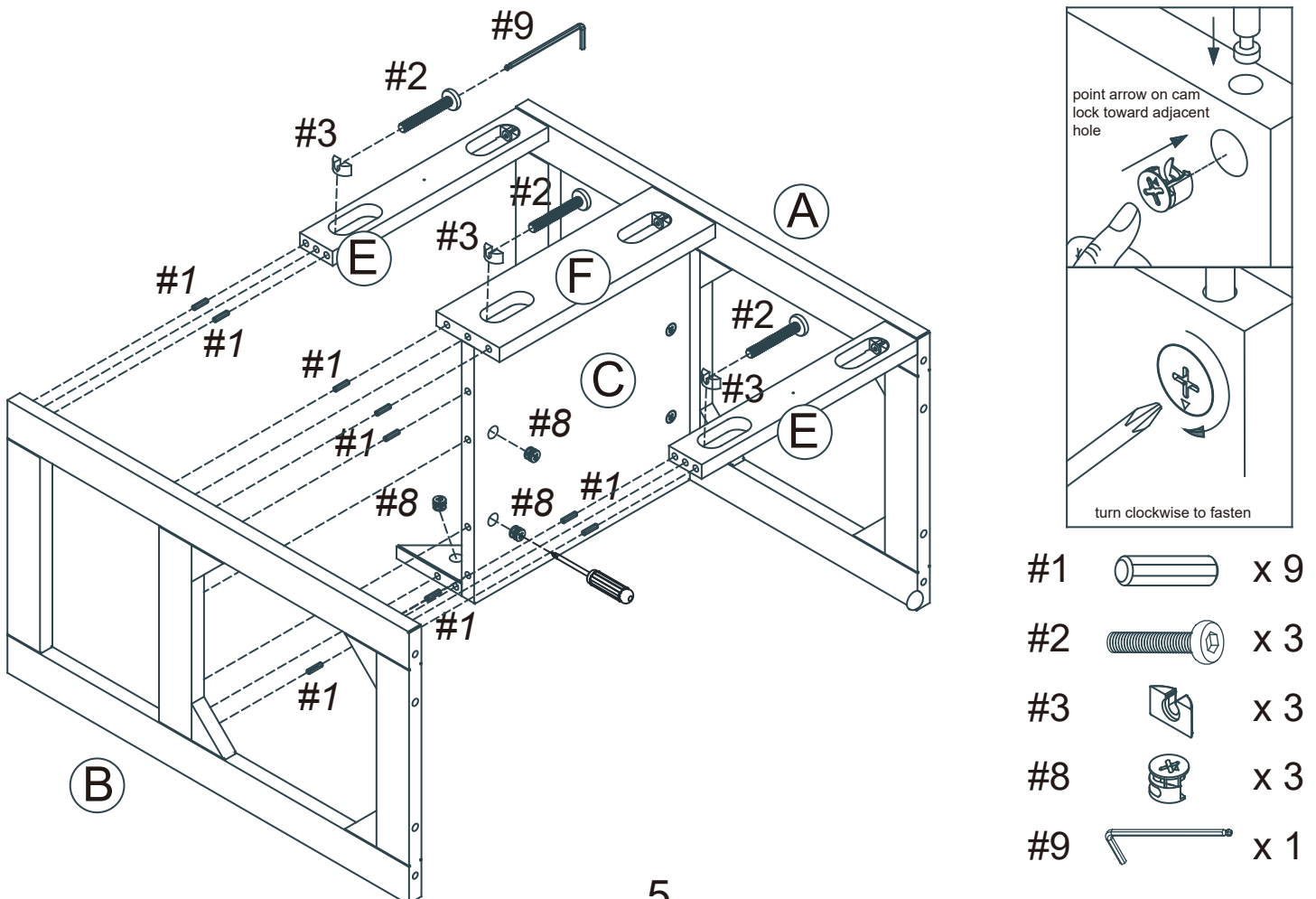
#1  x 3

#8  x 3

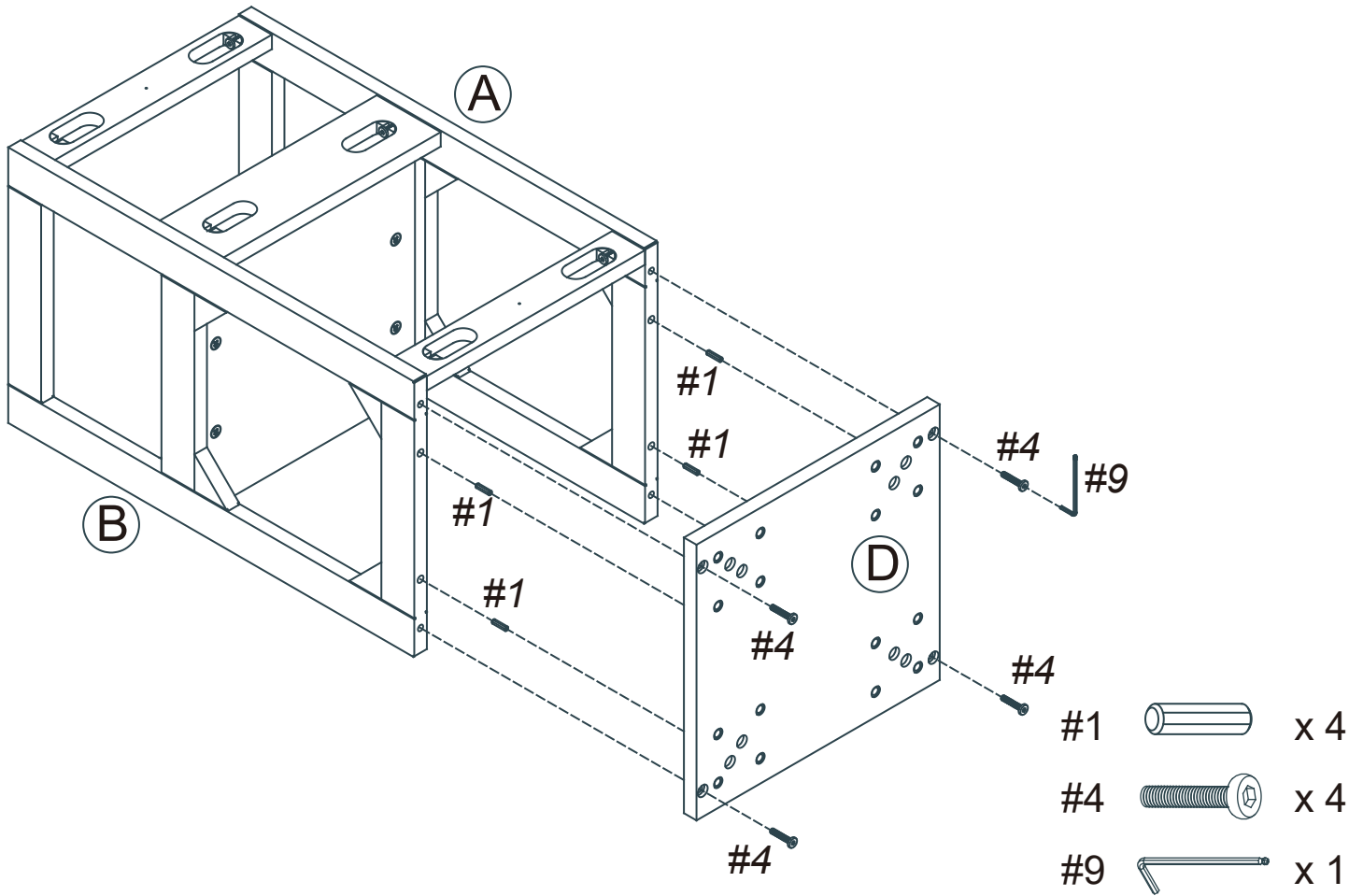
Step 3. Attach back rails (part E) and back middle rail (part F) to left frame (part A) using wood dowels (part #1), long bolts (part #2), crescent washers (part #3), and allen wrench (part #9).



Step 4. Attach right frame (part B) to assembled unit (parts C, E, F & H) using wood dowels (part #1), cam locks (part #8), long bolts (part #2), crescent washers (part #3), allen wrench (part #9) and phillips head screwdriver. Note: Cam locks must rotate a full 180°. See pictured insert.



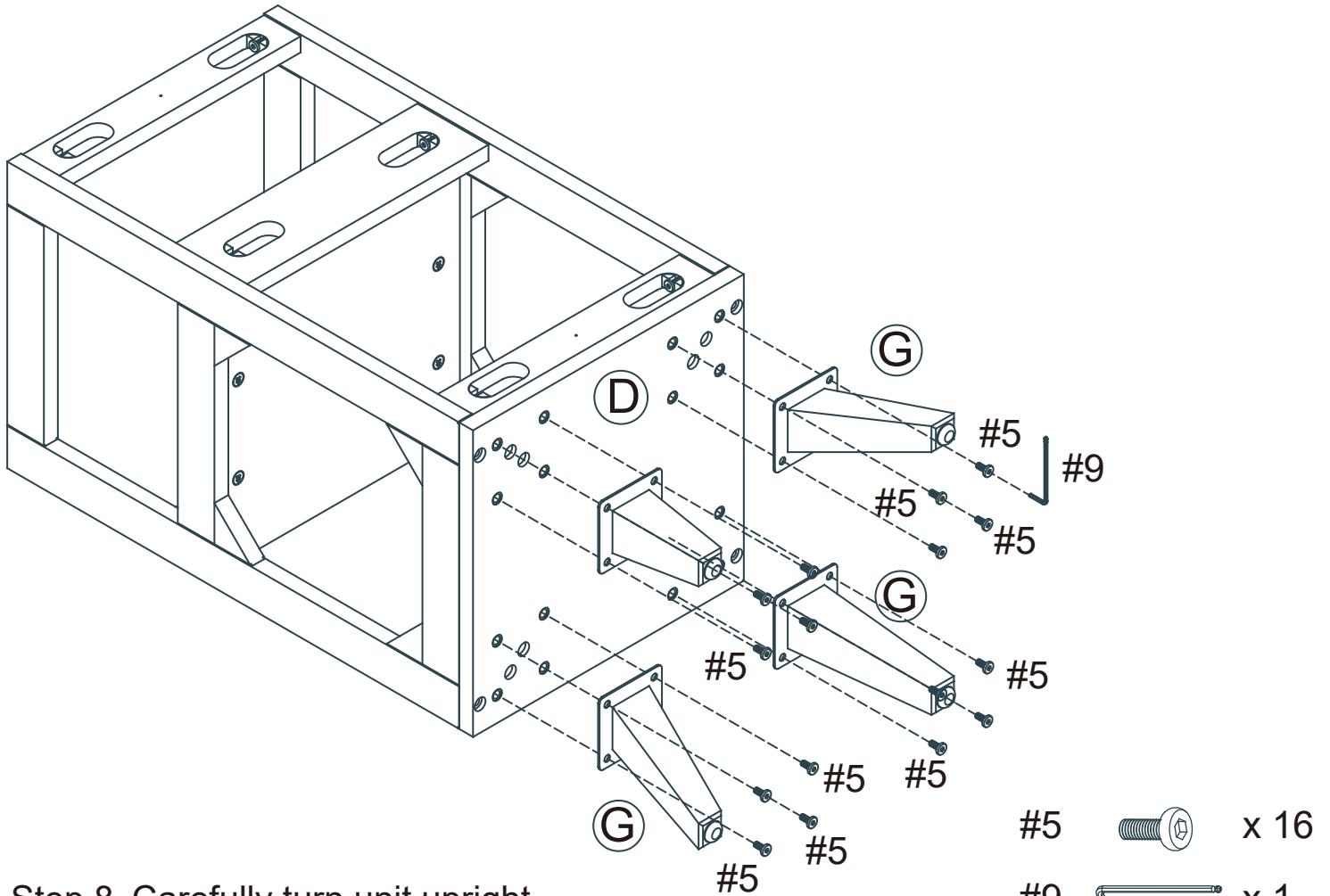
Step 5. Attach bottom panel (part D) to assembled unit (parts A & B) using wood dowels (part #1), medium bolts (part #4) and allen wrench (part #9).



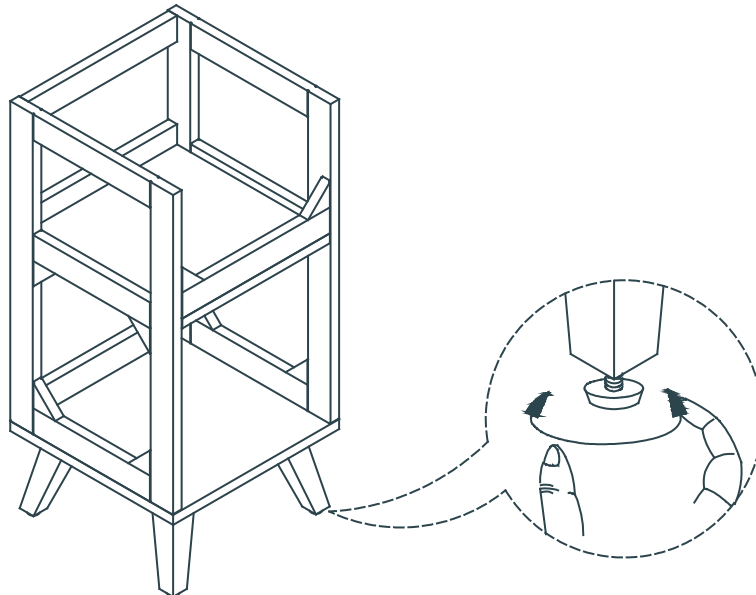
Step 6. Attach metal plates (part #6) to legs (part G) using short bolts (part #5) and allen wrench (part #9).



Step 7. Attach assembled legs (part G) to bottom panel (part D) using short bolts (part #5) and allen wrench (part #9).









Step 8. Carefully turn unit upright.



Note: It is important to adjust levelers once fully assembled and upright. Extend adjustable leveler until it's firmly in contact with the floor. If relocating, adjust leveler as needed until it's firmly in contact with the floor in new location.

Important: Safety strap kit (part #10) must be installed to prevent tipping damage and/or injury.

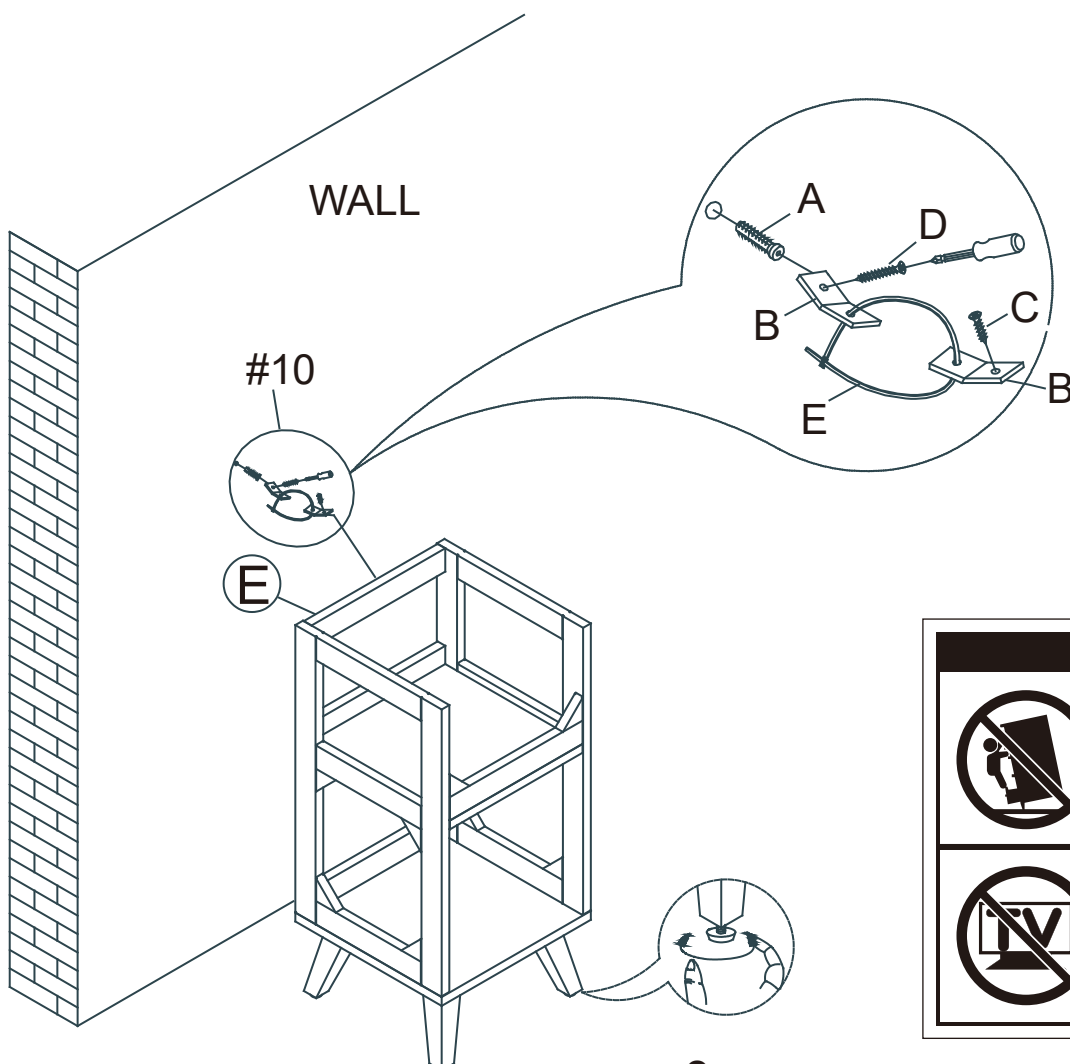
#10	A	B	C	D	E
					
Safety Strap Kit 1 SET	Wall Anchor 1 PC	Bracket 2 PCS	Short Screw 1 PC	Long Screw 1 PC	Safety Wall Strap 1 PC


## SAFETY WALL STRAP INSTALLATION

Note: It is highly recommended to install this safety strap kit to prevent tipping, damage and/or injury.

1. Insert short screw (C) and safety wall strap (E) through bracket (B) and attach to back rail (part E) using phillips head screwdriver.
2. Drill a 11/32" hole where you want to secure the unit. The drilled hole will be at the same height as the hole in back rail (part E) where bracket (B) is attached. Tap wall anchor (A) into the hole. Insert long screw (D) and safety wall strap (E) through bracket (B) into wall anchor (A) using phillips head screwdriver.

Note: This item is not intended for clothing storage use.



⚠ WARNING	
	<p>Children have died from furniture tipover. To reduce the risk of furniture tipover:</p> <ul style="list-style-type: none"> <li>• ALWAYS install tipover restraint provided.</li> <li>• NEVER put a TV on this product.</li> <li>• NEVER allow children to stand, climb or hang on drawers, doors, or shelves.</li> <li>• NEVER open more than one drawer at a time.</li> <li>• Place heaviest items in the lowest drawers.</li> </ul> <p><i>This is a permanent label. Do not remove!</i></p>
	