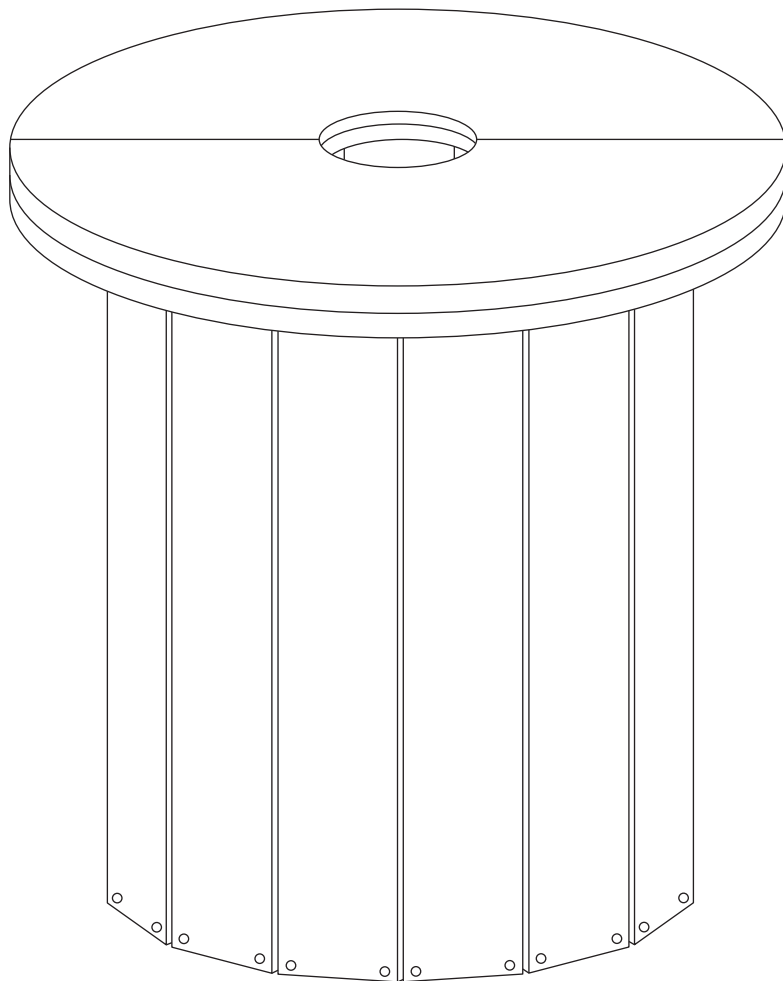


USER'S MANUAL

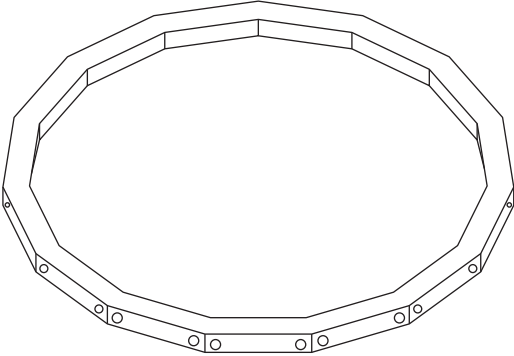
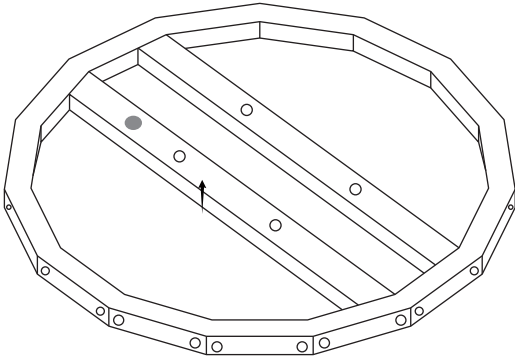
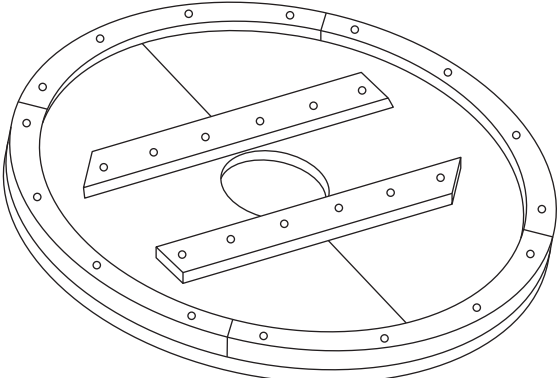

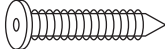

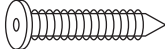

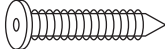

Product Name: Patio Umbrella Base

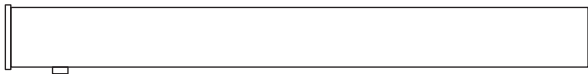
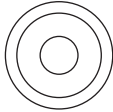
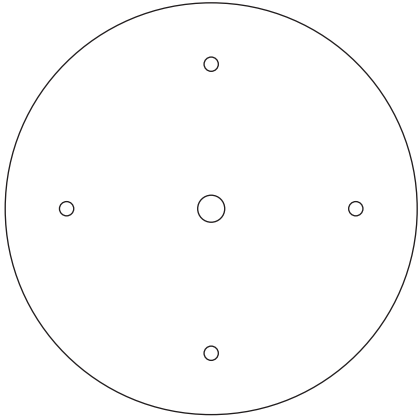
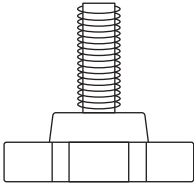
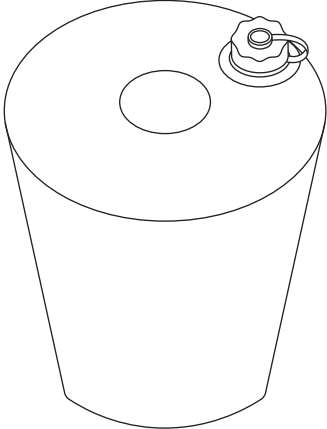
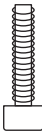

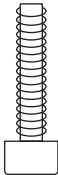



⚠ WARNING:

- Please read all instructions carefully.
- Retain instructions for future reference.
- Separate and count all parts and hardware.
- Read through each step carefully and follow the proper order.
- We recommend that, where possible, all items are assembled near to the area in which they will be placed in use, to avoid moving the product unnecessarily once assembled.
- Always place the product on a flat, steady and stable surface.
- Keep all small parts and packaging materials for this product away from babies and children.

ACCESSORIES

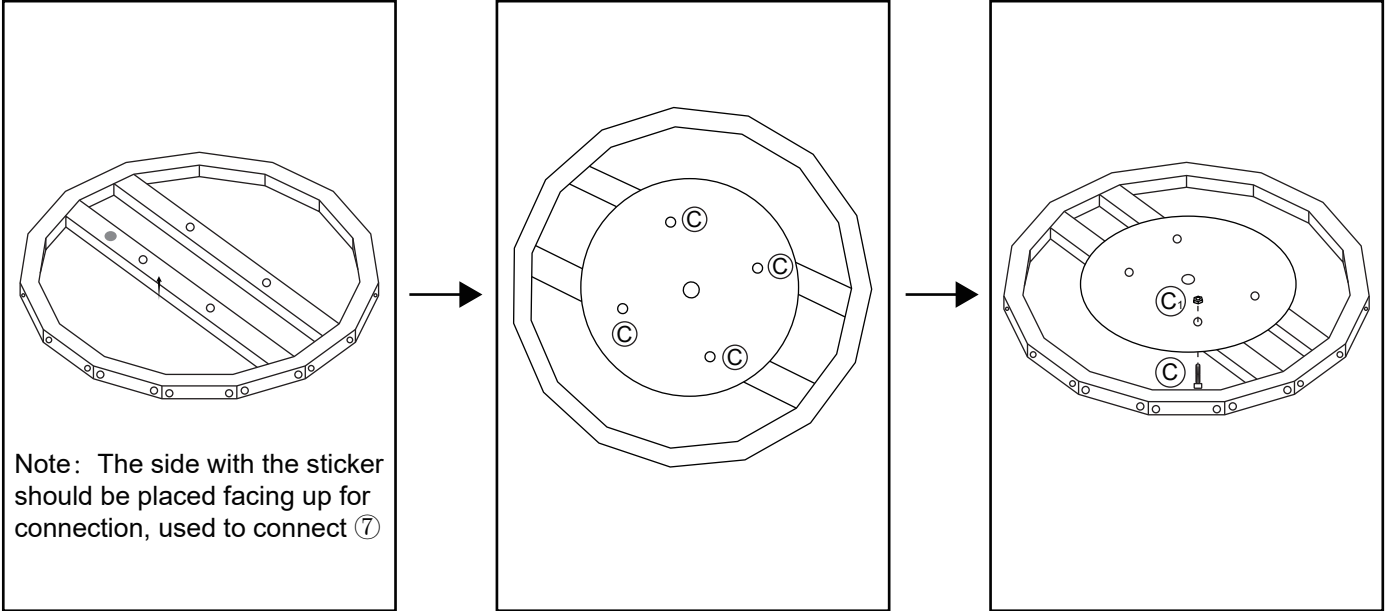
<p>① x1</p> 	<p>② x1</p>  <p>Note: The side with the sticker should be placed facing up for connection, used to connect ⑦</p>		
<p>③ x1</p> 	<p>④ x15</p>  <table border="1" data-bbox="784 1705 1497 1970"><tr><td data-bbox="784 1705 1136 1970"><p>Ax60 M4x20mm</p></td><td data-bbox="1136 1705 1497 1970"><p>Bx1</p></td></tr></table>	<p>Ax60 M4x20mm</p> 	<p>Bx1</p> 
<p>Ax60 M4x20mm</p> 	<p>Bx1</p> 		

<p>⑤ x1</p> 	<p>⑥ x1</p> 	
<p>⑦ x1</p> 	<p>⑧ x1</p> 	
<p>⑨ x1</p> 	<p>Cx4</p> 	<p>C₁x4</p> 
<p>Dx1</p> 		<p>Ex1</p> 

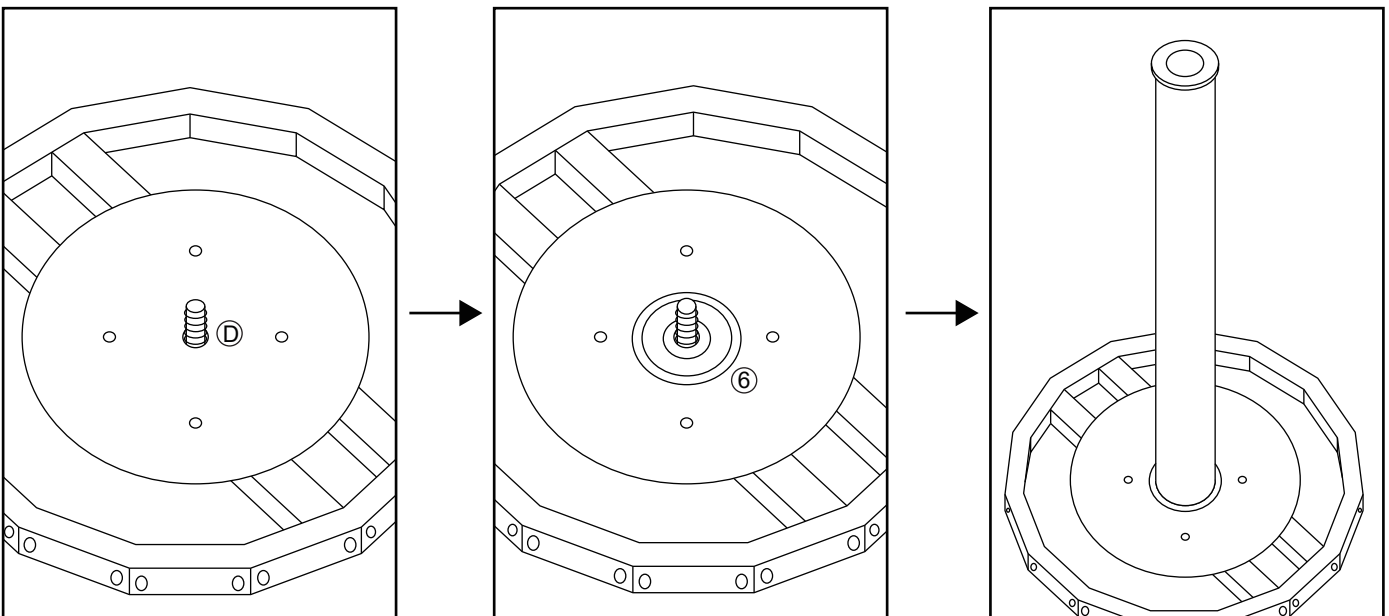
INSTALLATION INSTRUCTIONS

1

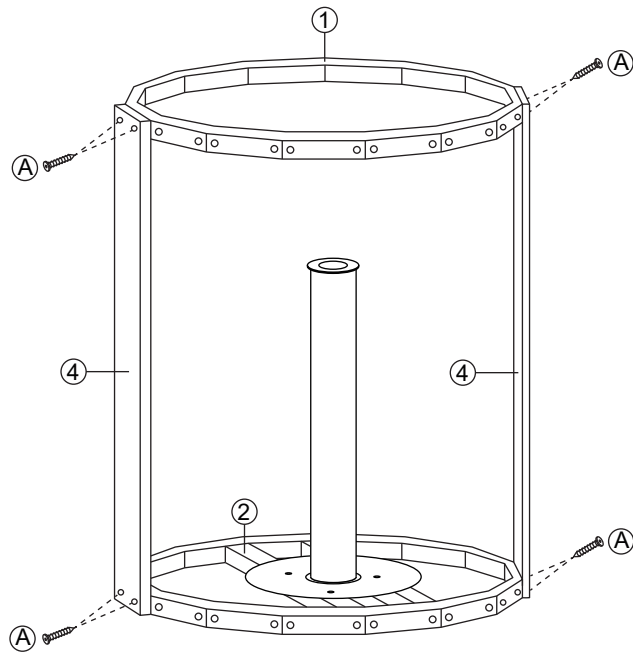
Please connect the side with sticker ② to ⑦ and fix it with 4 * c



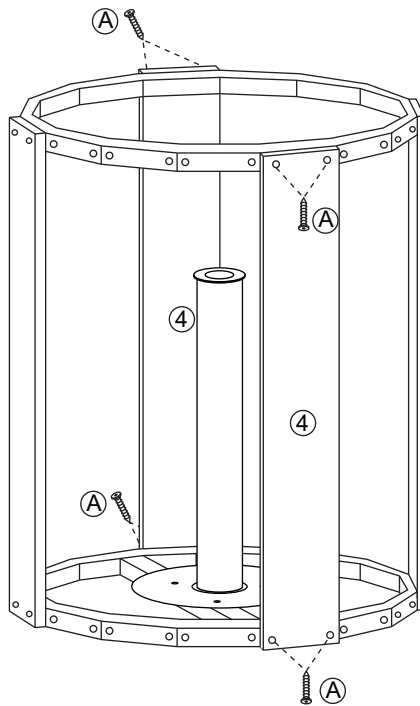
2



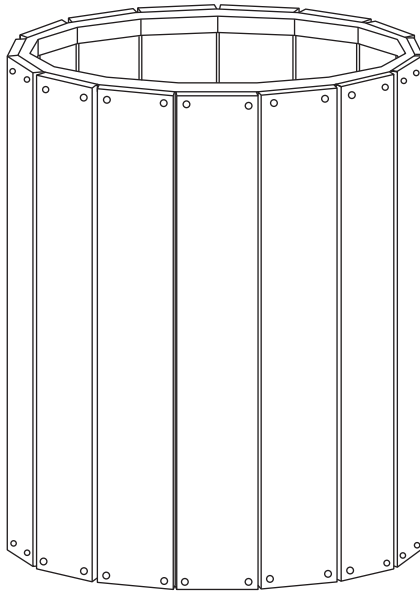
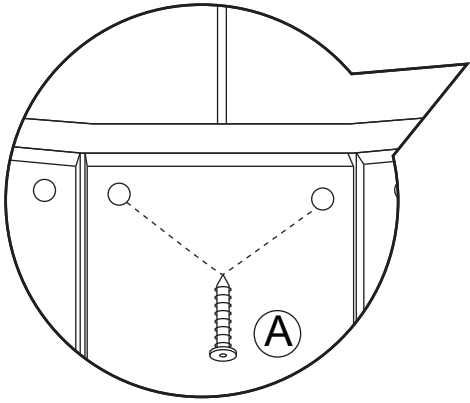
3



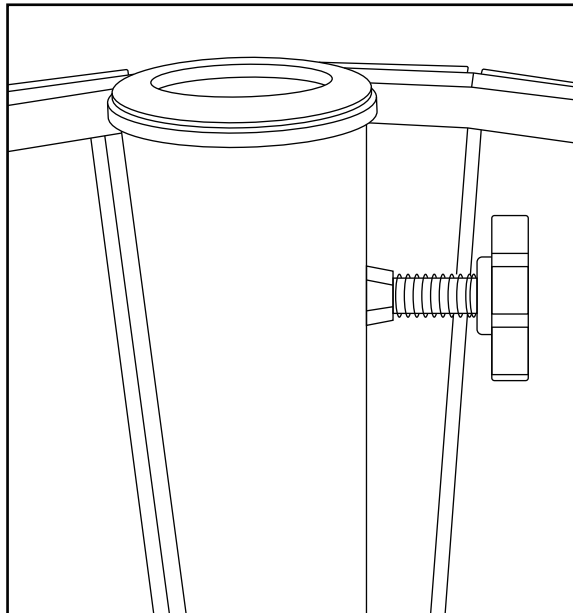
4



5

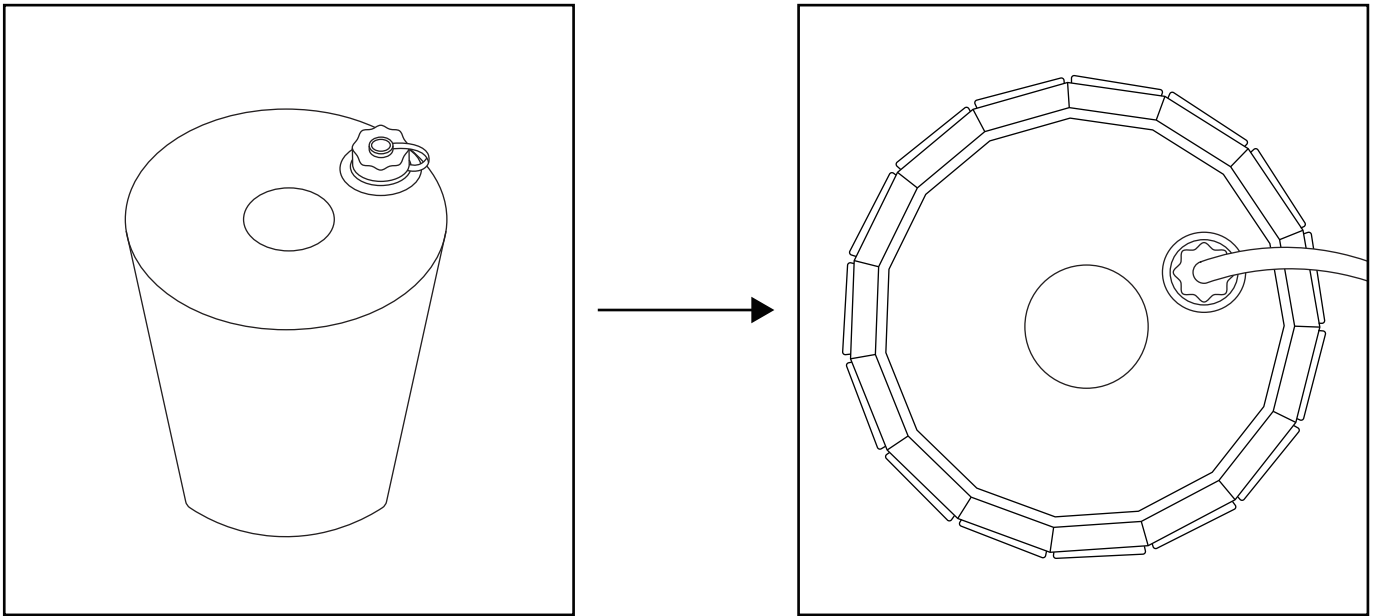


6



7

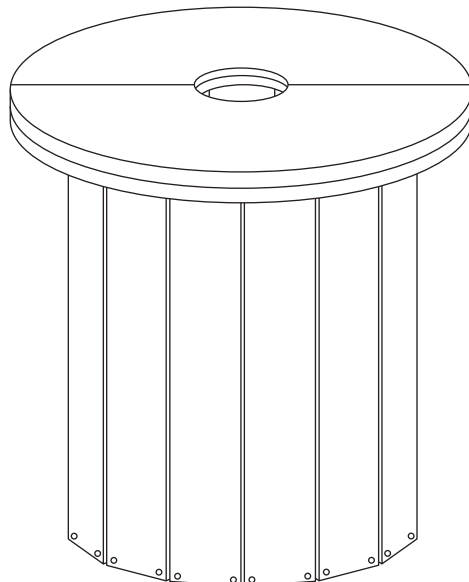
Ensure that the water bag is placed in the base, start filling water, and stop filling when the water bag is fully inflated. You can control the overall weight of the base by adjusting the water filling capacity.



Note: The lid needs to be tightened to prevent water from leaking out.

8

Assembly completed.



THANK YOU FOR SHOPPING WITH US!

WARRANTY INFORMATION

- We offer a limited number of free extended 1-year warranties, including VIP customer service privileges.
- From the activation date, we offer a no-questions-asked warranty against defects in materials and workmanship. During this period, we will repair or replace any defective component at our discretion.
- This warranty is limited to manufacturing defects associated with the products and does not cover any damage caused by improperly installed handled or abused by user, nor to any unit which has been repaired or altered by unauthorized repair companies.
- Under no circumstances will the customer be entitled to warranty consequential or incidental damages. This limited 1-year warranty will only grant customers certain legal rights; Customers may have other rights according to different state laws.

CUSTOMER SERVICE

If you have any questions or need assistance, feel free to contact our brand's official customer service anytime.

To help us locate your order, please include your Order Number. Our 24-hour customer service team will be happy to assist you, and we typically respond within hours.

Customer Service Team