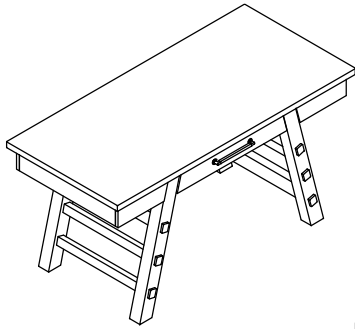


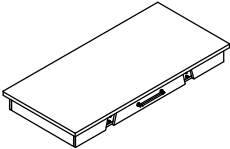
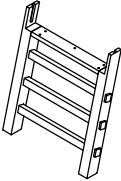
ASSEMBLY INSTRUCTION

DESCRIPTION: WRITING DESK

Thank you for purchasing this quality product. Be sure to check all packing material carefully for small parts which may have come loose inside the carton during shipment. Identify and count all parts and compare with the parts List Below:





PARTS LIST:



①		②	
TABLE TOP: 1PC		FRAME LEGS: 2PCS	

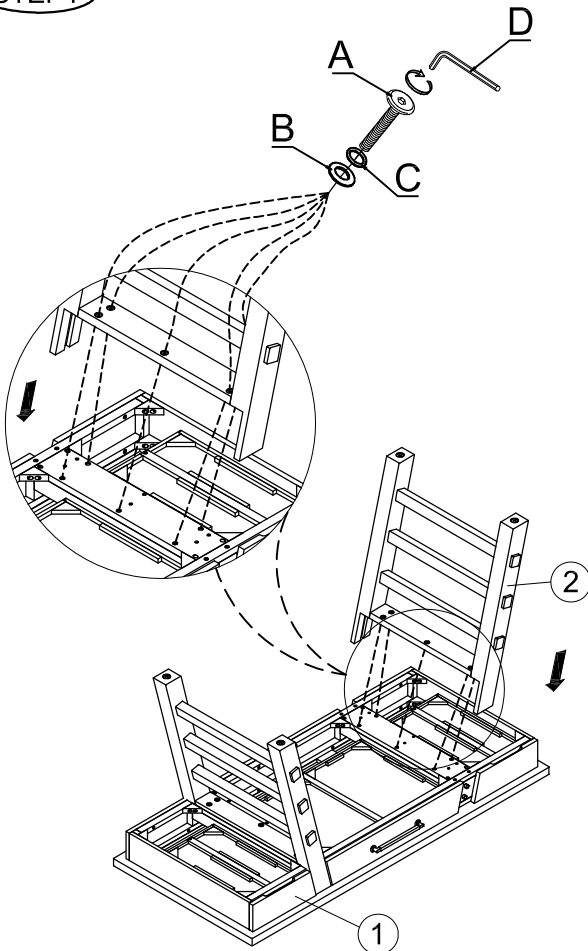
③

HARDWARE LIST

NO.	Drawing	Description	Q'ty
A		Bolt (Φ1/4"×1-1/4")	10pcs
B		Flat washer(Ø1/4"×19mm)	10pcs
C		Spring washer (Ø1/4")	10pcs
D		Allen wrench (4mm)	1pc

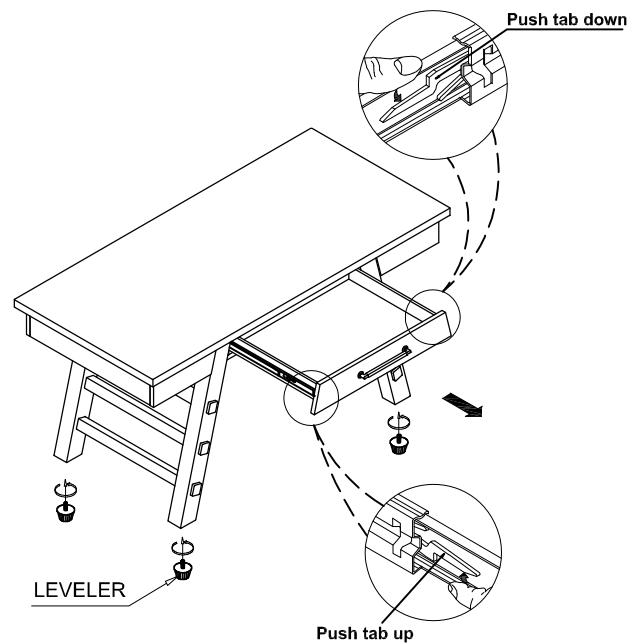
HOW TO REMOVE DRAWER

STEP1



STEP2

To remove drawer, simultaneously pull tab up on one side and push down on the other and remove drawer.



CLEANING INSTRUCTION

Clean the Writing Desk surface with a furniture polish and a soft cloth.