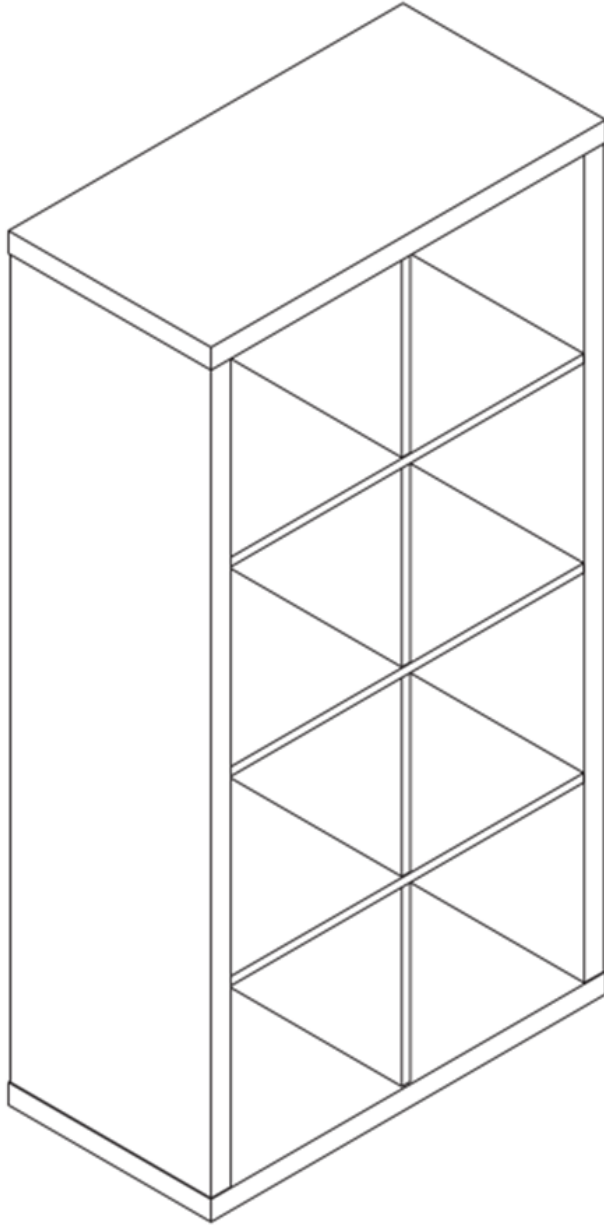


# Assembly Instruction

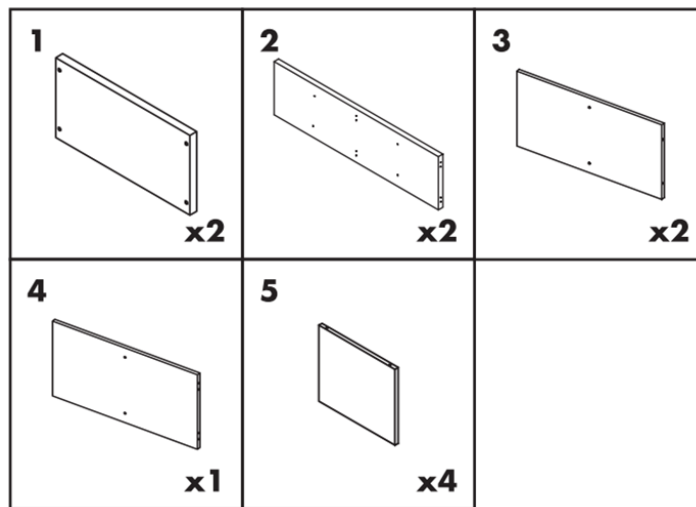


Product name




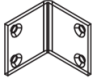
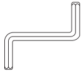

---

**2 x 4 Cube Storage Organizer**

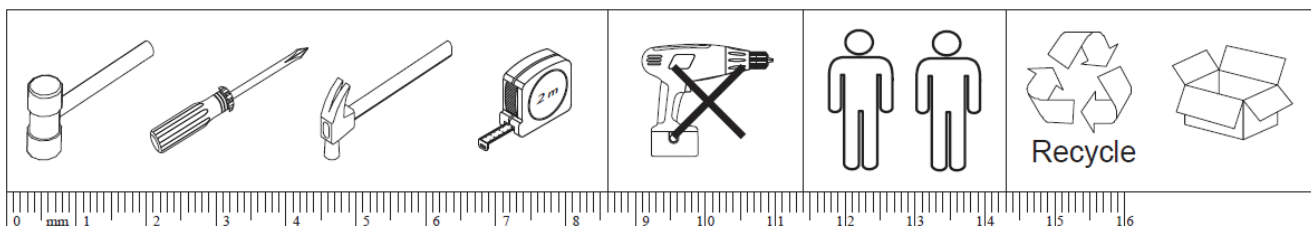
## The Accessories



## The Hardware

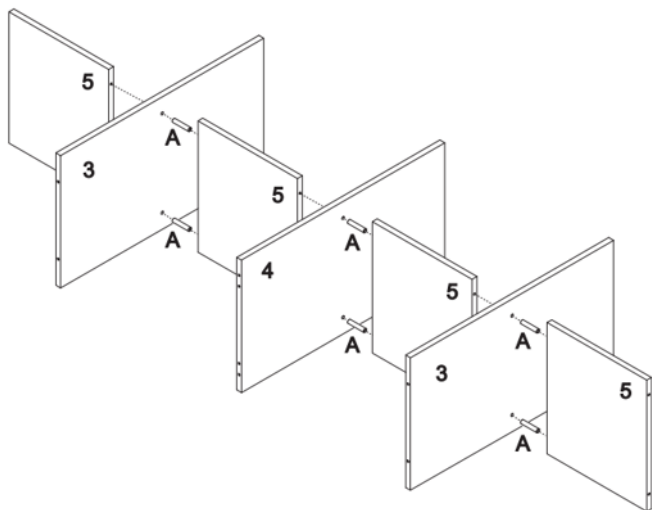
Code	Description	Qty	Code	Description	Qty
A		30	D		4
B		12	E		2
C		1	F		12

If you have any issues with your item please contact the retailer directly you Purchased it from who will be able to resolve any issues.

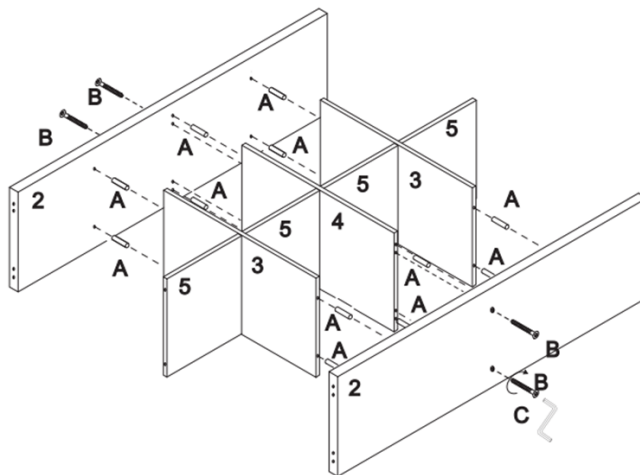


# Assembling

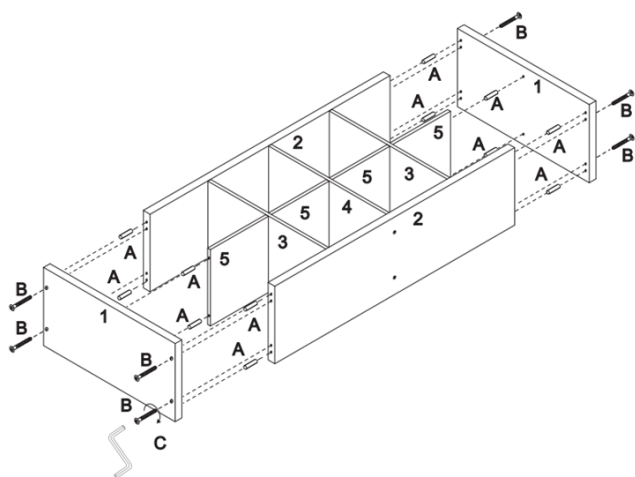
## Step 1



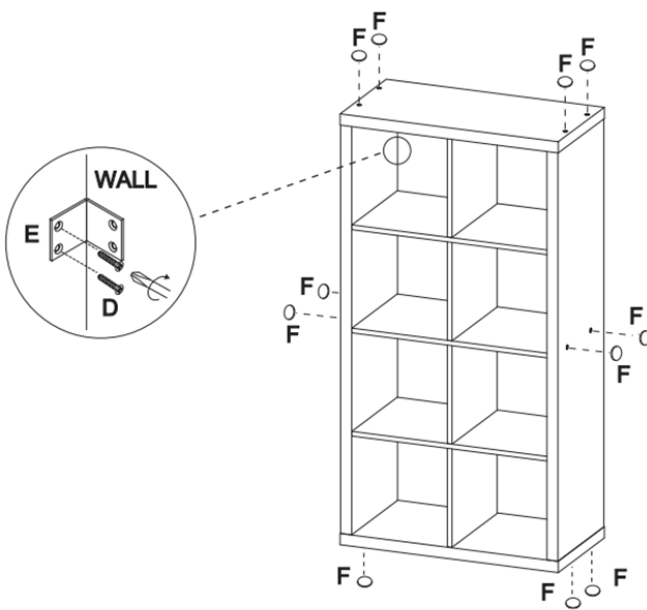
## Step 2



## Step 3



## Step 4



## Proper Use



### WARNING!

#### Important!

This piece of furniture must be fastened to the wall with the enclosed wall fitting.

#### Please note:

Some wall materials require different types fixing parts, only use fixing parts suitable for the chosen walls in your home (not included). If you are uncertain about what wall fitting is required for your home, please contact your local hardware store for assistance.

Please keep small parts out of reach of children.

Always use on a level, even surface.

It is recommended that two people handle and assemble the item.

#### **DO NOT leave spilled liquid in the cabinet.**

**DO NOT** exceed weight limit.

**DO NOT** make temporary repairs.

**DO NOT** use outdoors.

**DO NOT** use this item if any parts are missing, damaged or worn.

**DO NOT** use this item unless all fixings are secured.

**DO NOT** push the item as this will damage the base.

**DO NOT** place the item next to a radiator or direct sunlight–this item is susceptible to temperature change. It is recommended an even room temperature be maintained with no sudden fluctuations.

**DO NOT** place hot or cold items directly onto the surface of the item as marking will occur. For general cleaning use a duster or damp cloth (almost dry) not wet–do not use soap and water, detergents, aerosol sprays or any polish as use of these materials would invalidate any claims.

**DO NOT** place the item onto wet or damp flooring as staining may occur to the floor.