

# ASSEMBLY INSTRUCTION

## ITEM : CHAIR

Please read instructions carefully. Remove all wrapping material , staples and packing straps from the carton . Be sure you have all parts before ou start assembling . Place all wooden furniture parts on a clean and flat soft surface , such as carpet or rug to prevent from being scratched

CAUTION : 1)DO NOT FULLY TIGHTEN THE NUTS OR SCREWS INITIALLY UNTILL ALL THE NUTS AND 2)SCREWS ARE ASSEMBLED . TO AVOID CAUSING DAMAGE TO THE TREAD , DO NOT OVER-TIGHTEN THE NUTS OR SCREWS . 3)KEEP ALL HARDWARE PARTS OUT OF RECH OF CHILDREN .

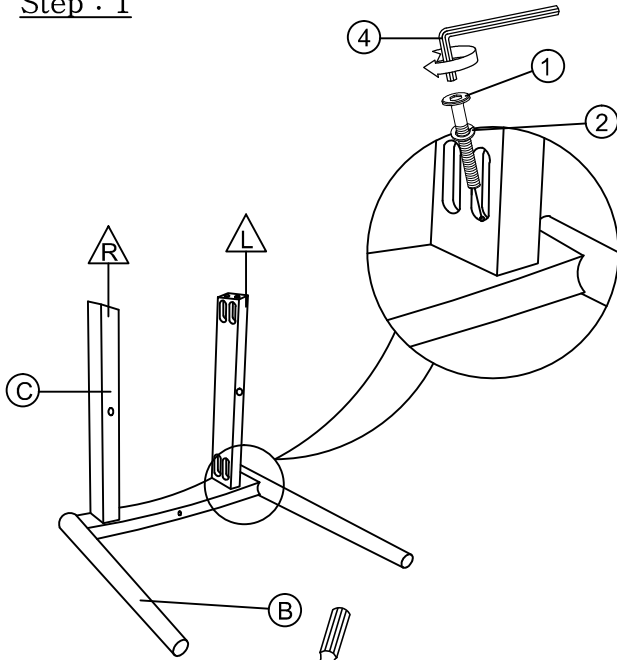
### PARTS LIST

| NO | DESCRIPTION     | QTY |
|----|-----------------|-----|
| A  | CHAIR BACK      | 1   |
| B  | FRONT LEG FRAME | 1   |
| C  | SIDE RAIL       | 2   |
| D  | CUSHION         | 1   |

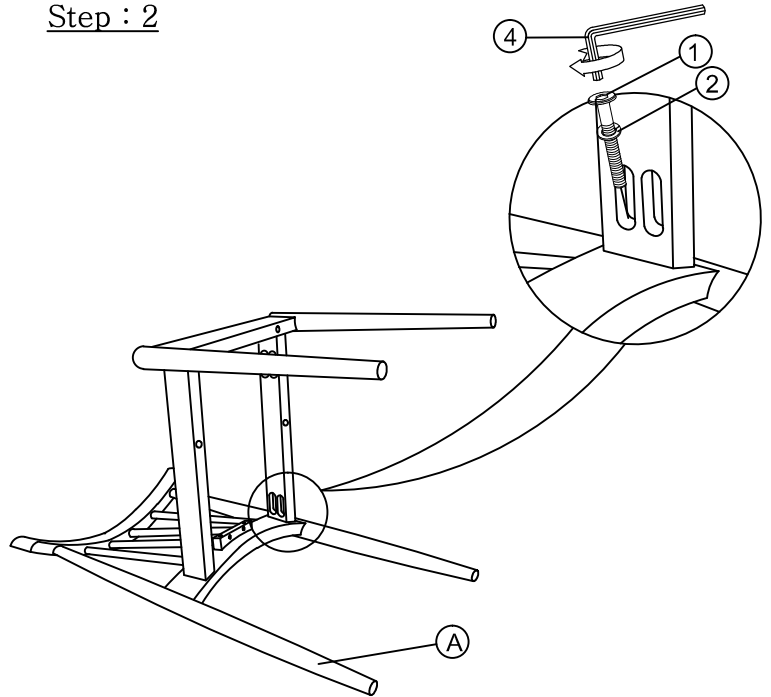
### HARDWARE LIST

| NO | DESCRIPTION                    | QTY |
|----|--------------------------------|-----|
| 1  | JCBC BOLT M6 x 50mm            | 10  |
| 2  | SPRING WASHER M6               | 10  |
| 3  | CSK-CB SCREW M4 x 32mm         | 4   |
| 4  | ALLEN KEY WITH BALL M4 x 110mm | 1   |

### Step : 1



### Step : 2



### Step : 3

