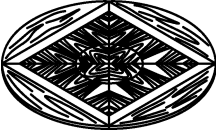
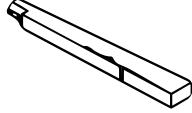
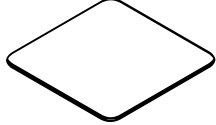
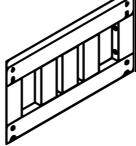
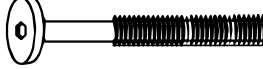


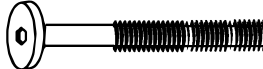






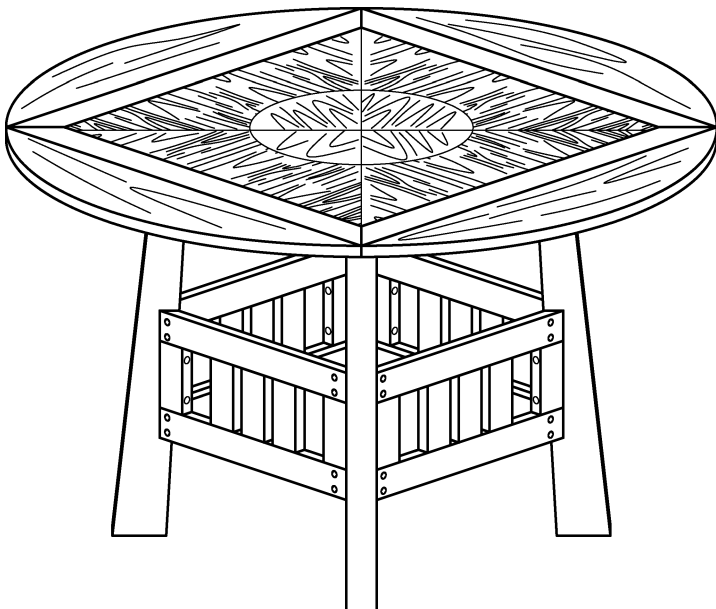


ASSEMBLY INSTRUCTION

HEIGHT TABLE

A Table Top  1pc	B Leg  4pcs	C Bottom Panel  1pc	D Side Panel  4pcs
E Long Bolt 5/16x 70 (Black Color)  8 pcs	F Lock Washer 5/16"x 12 (Black Color)  8 pcs	G Flat Washer 5/16"x 19 (Black Color)  8 pcs	H Long Bolt 1/4x 75  16 pcs
I Lock Washer 5/16"x 12  16 pcs	J Small Washer 1/4"x 12  16 pcs	K Wooden Cap Ø15.5x 10  16 pcs	L Allen Wrench 58x 23x 4mm  1 pc
M Leaf holder Ø20x 49mm  4 pcs	N Long Bolt 1/4x 55 (Black Color)  4 pcs		

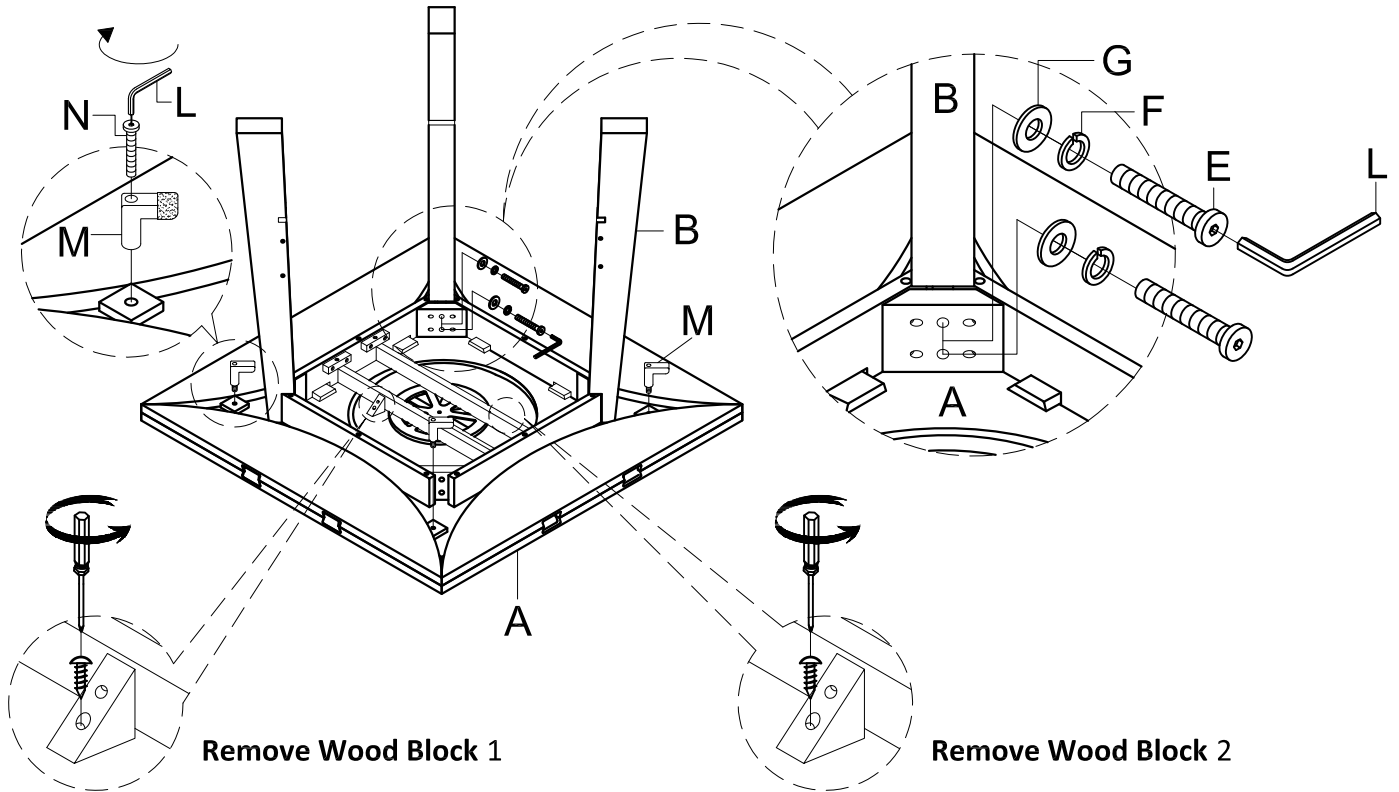


This page lists all the contents included in the box. Please take the time to identify the hardware as well as the individual components to this product. As you unpack and prepare for assembly, place the contents on a carpeted or padded area to protect them from damage .

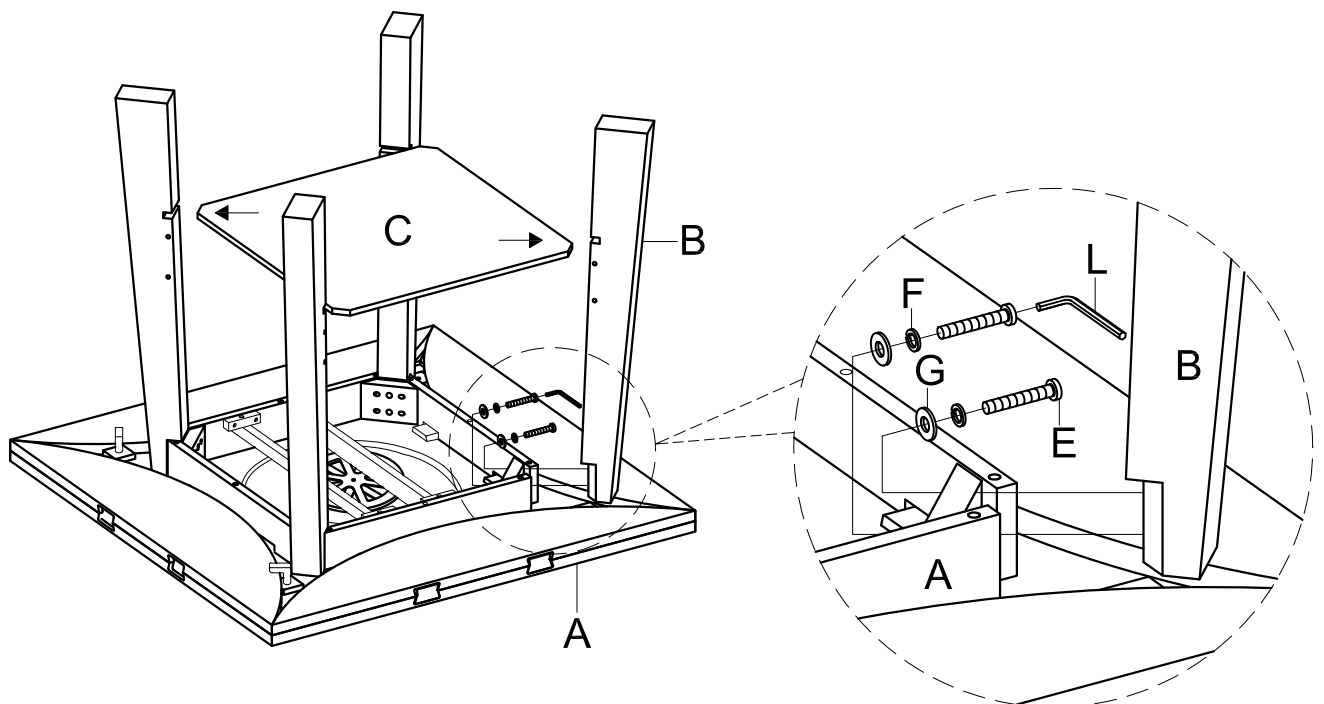
1

Remove Wood Block 1 and Wood Block 2 before assembling.

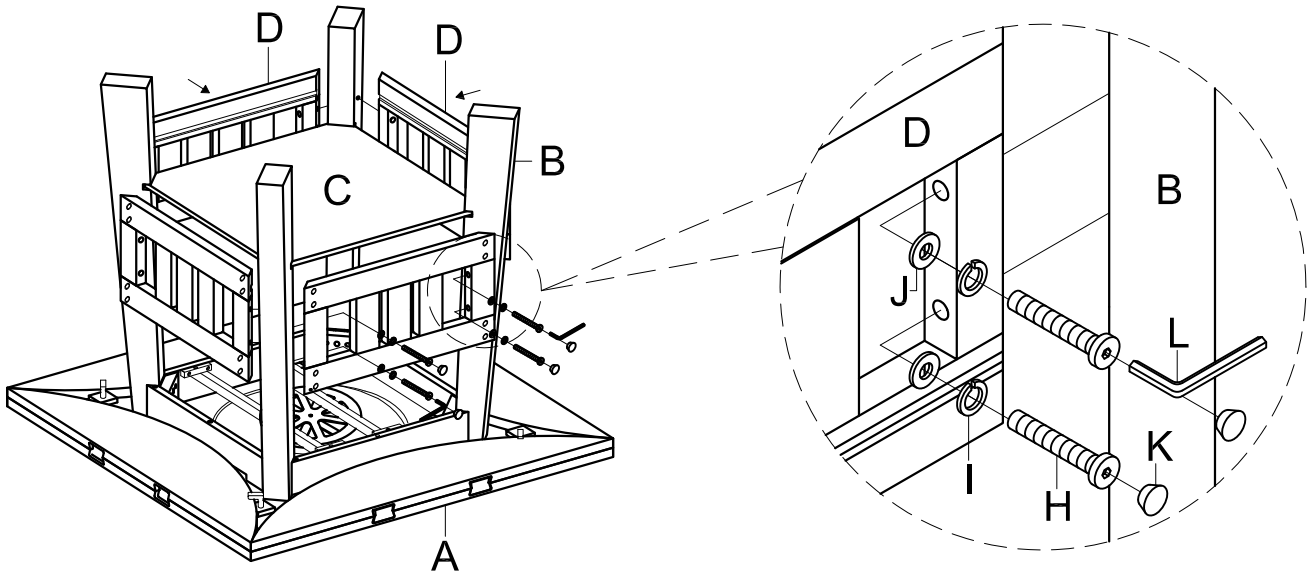
Place the Table Top (A) upside down on soft surface. Align and fasten 3 of the Table Leg (B) to table top (A) using black color Long Bolt (E), black color Lock Washer (F) and black color Flat Washer (G) and tighten with Allen wrench (L). Screw in the Leaf Holder (M) to hold the leaves in close position and black color Long Bolt (N), Allen wrench (L).

**2**

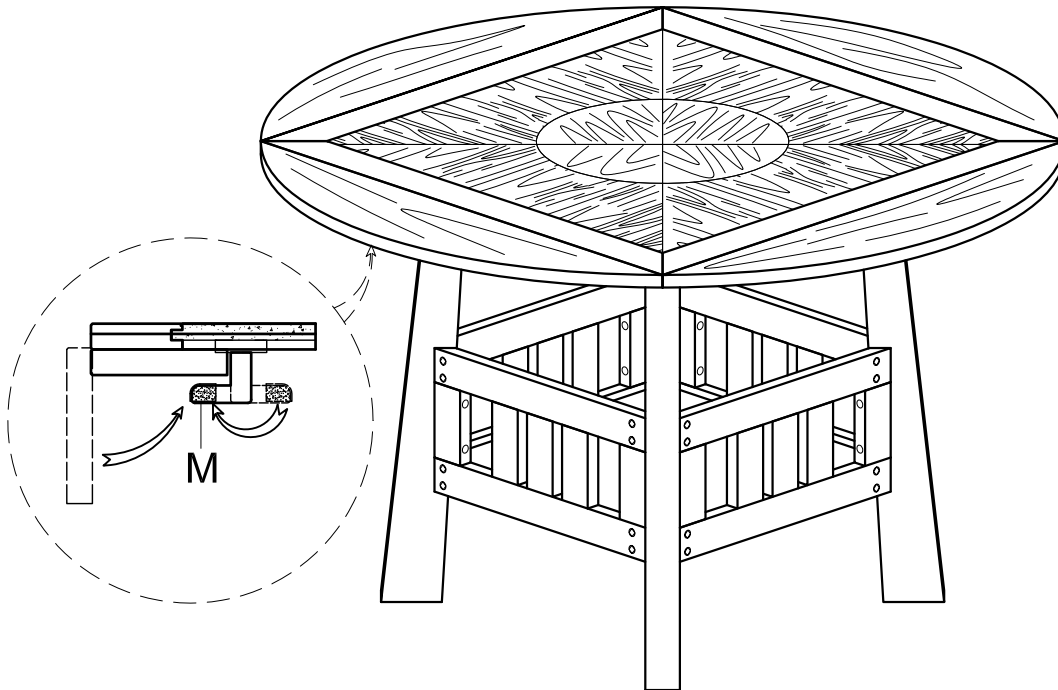
Insert Bottom Panel (C) into the cut out in the leg (B). Align and fasten the fourth Table Leg (B) to the Table Top (A) using black color Long Bolt (E), black color Lock Washer (F) and black color Flat Washer (G) and tighten with Allen wrench (L).



- 3** Align and fasten Side Panel (D) to the Table Leg (B) using Long Bolt (H), Lock Washer (I) and Small washer (J) and tighten with Allen wrench (L). Insert Wood Cap (K) to cover the screw hole.



- 4** Turn the Leaf Holder (M) to open the table leaves. Pull out and lock the leaf supports to support the leaves in place.



Cleaning & care

Treat surface with care. Surface is resistant to scratches but is not scratch resistant. Clean surfaces with a dry or damp soft cloth. Do not use abrasive cleaners. Hardware may loosen over time. Periodically check that all connections are tight.