

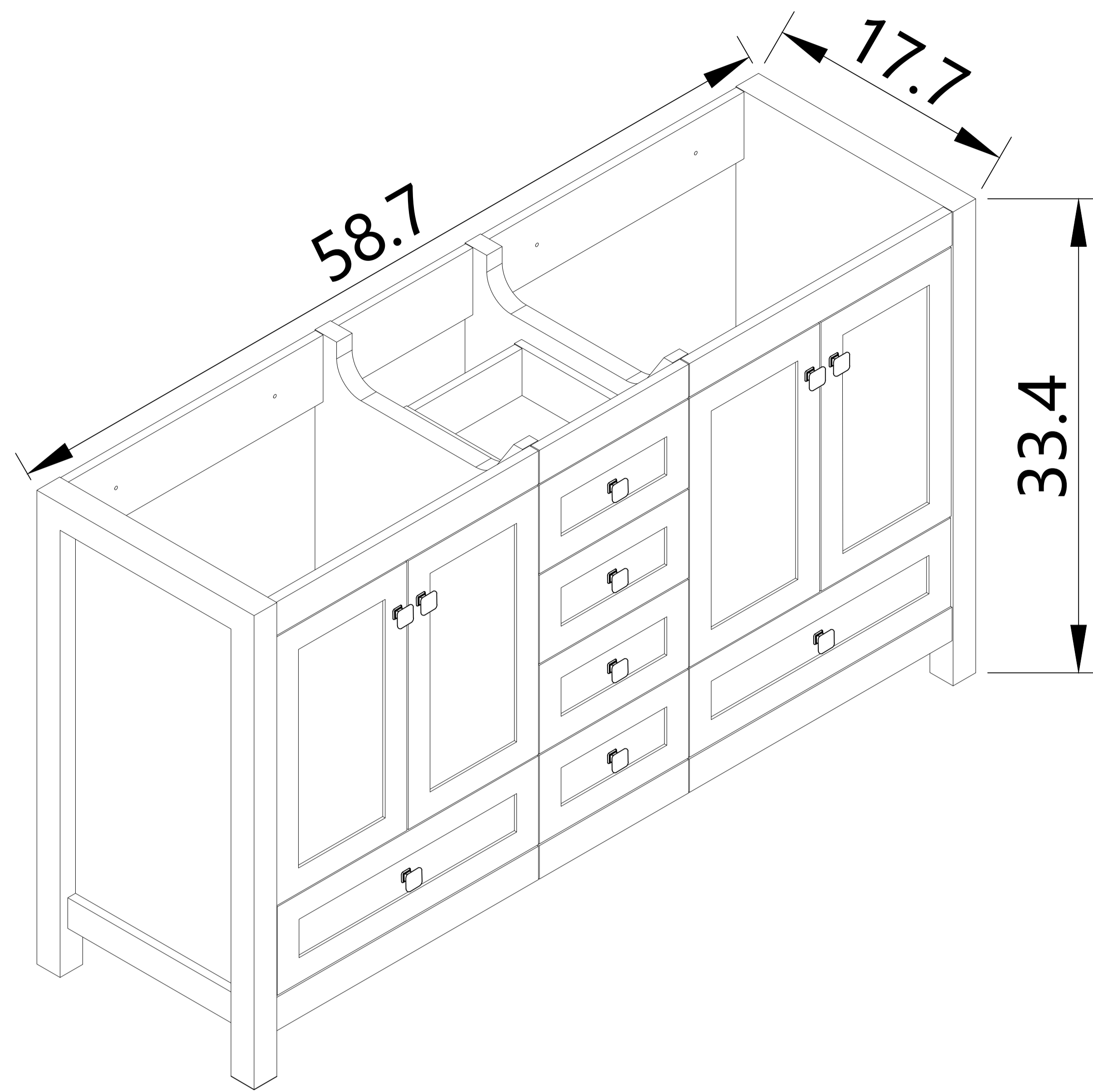


INSTALLATION INSTRUCTIONS

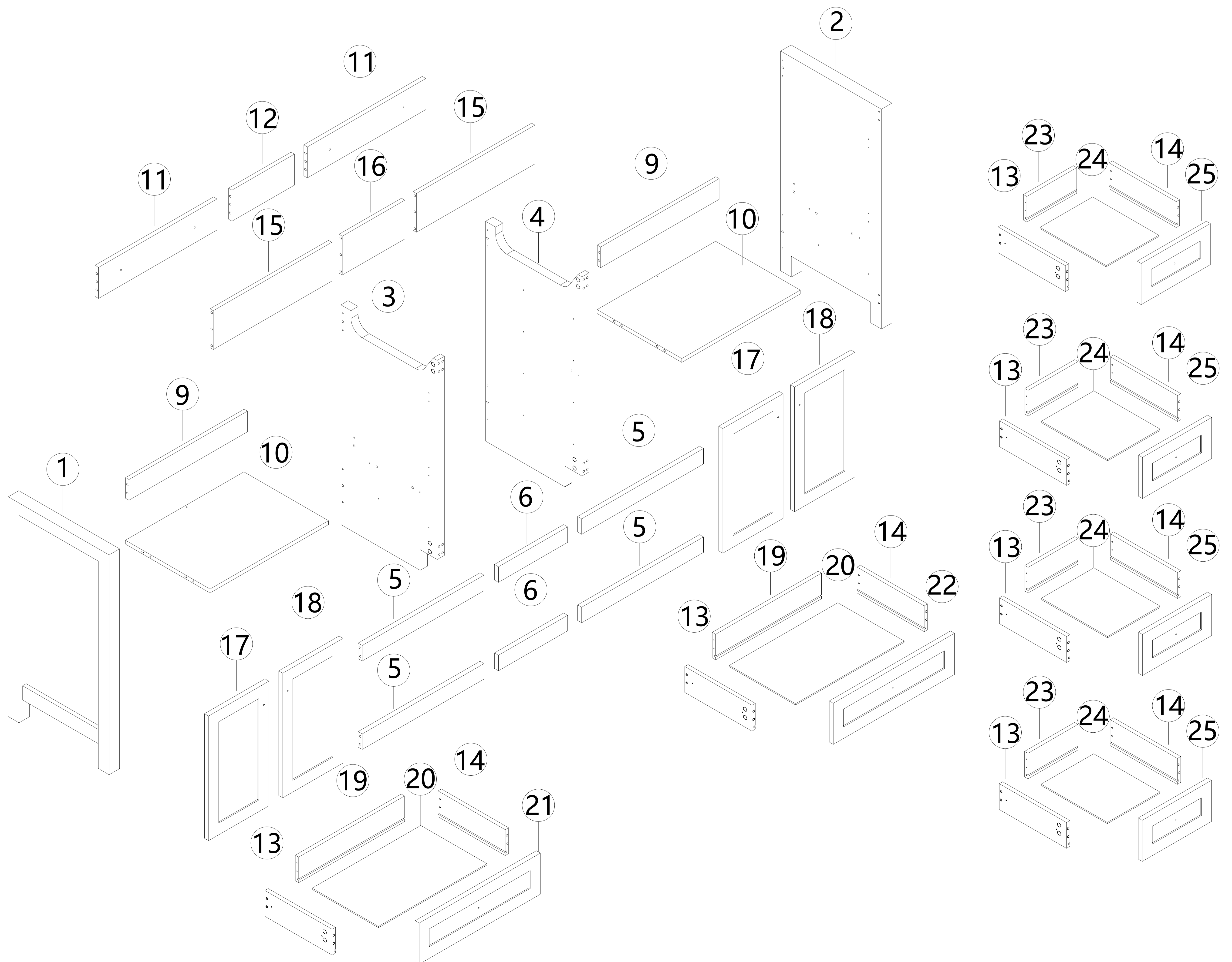
*The vessel and faucet set is not included

DIMENSIONS

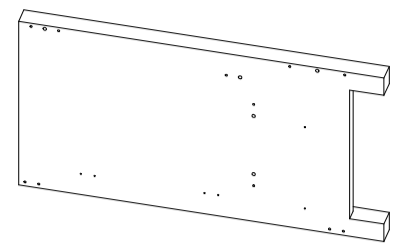
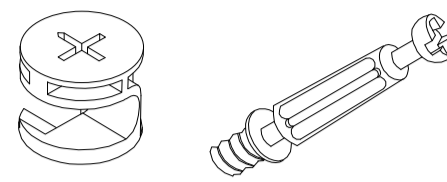
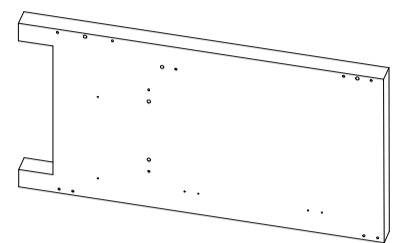
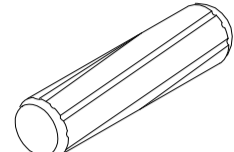
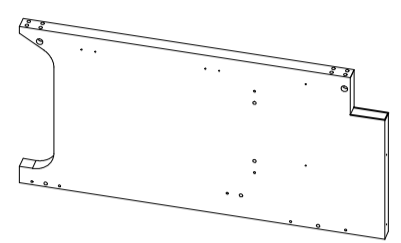
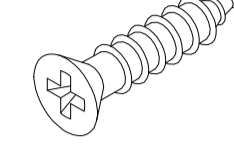
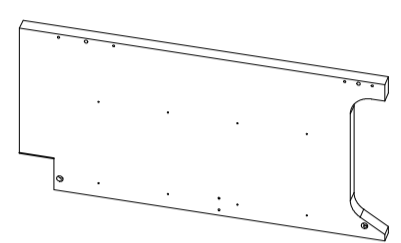
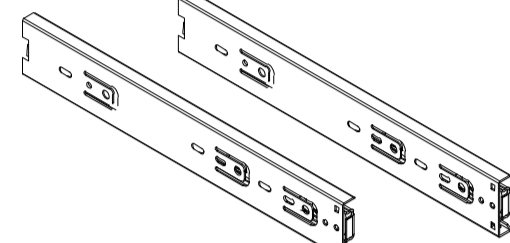
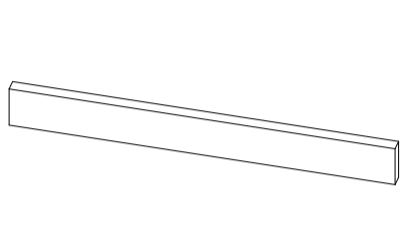
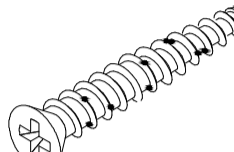

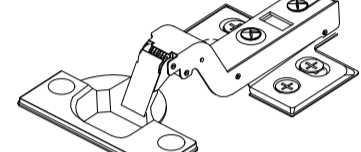

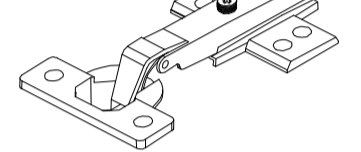
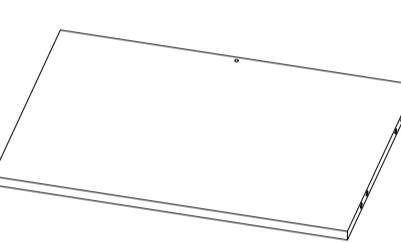
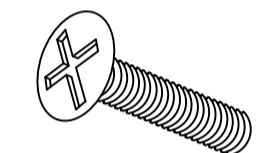

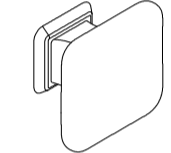

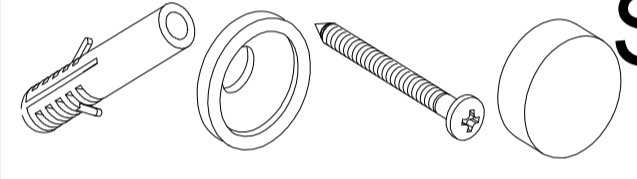














Unit:inch



ASSEMBLY DIAGRAM

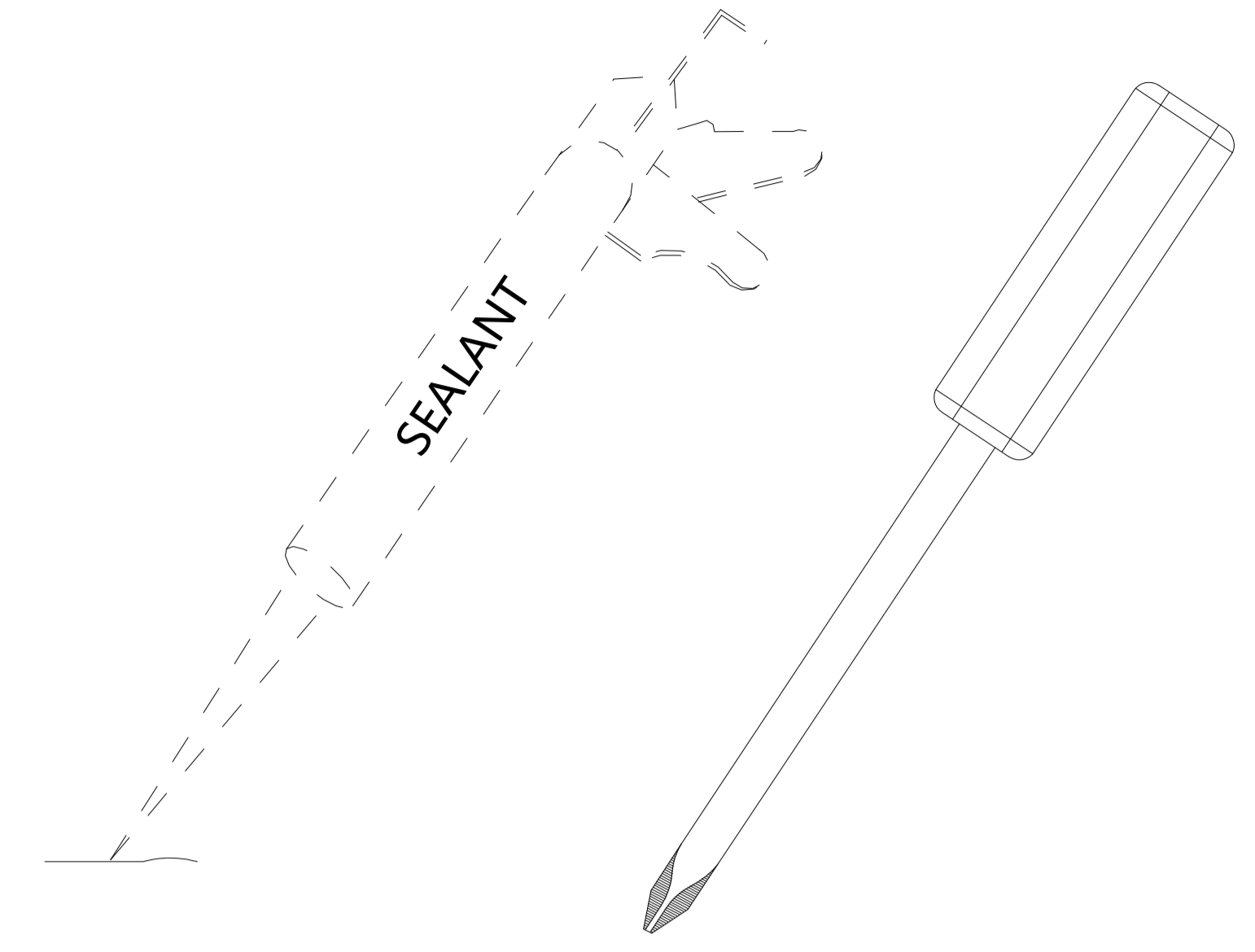
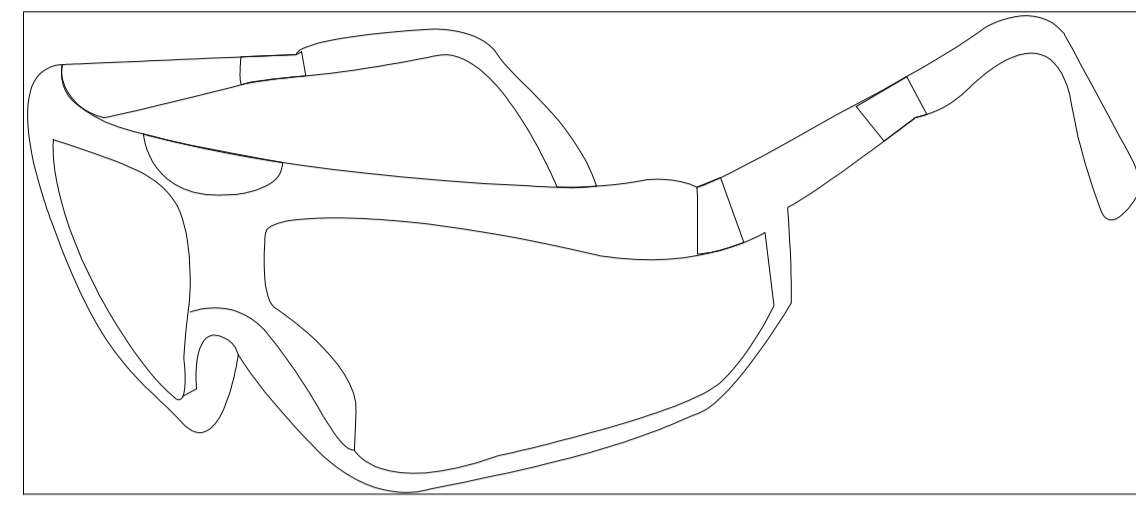
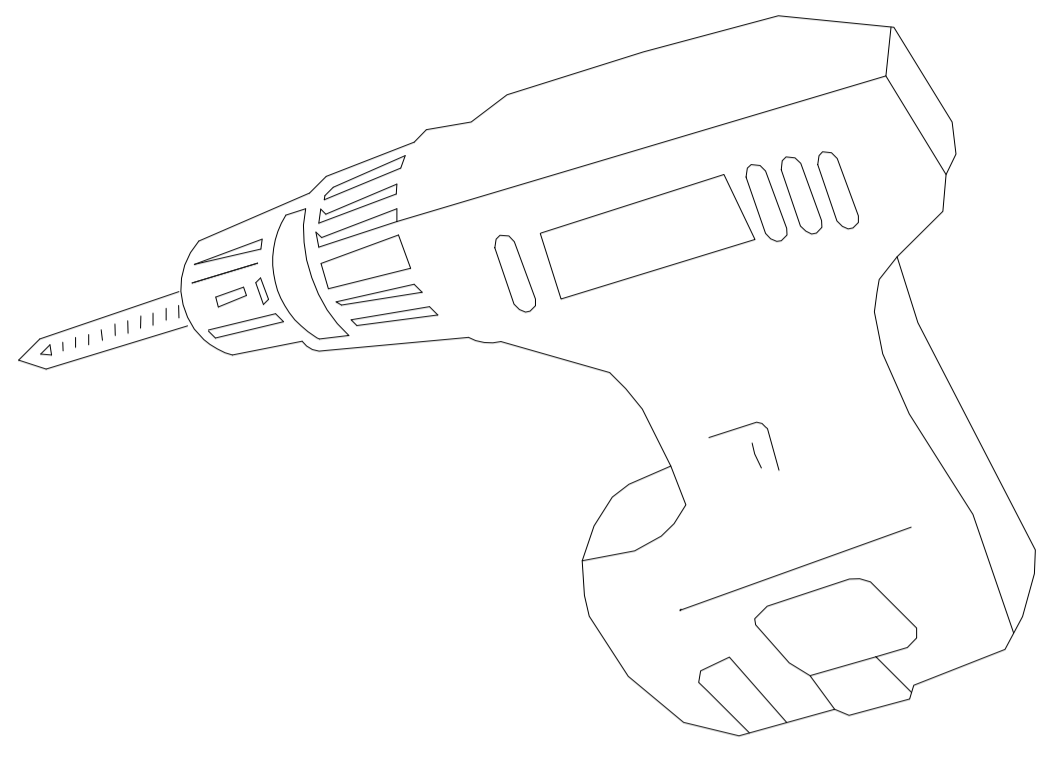


PARTS LIST

PARTS LIST			HARDWARE LIST		
No.	Description	QTY	No.	Description	QTY
1		1	A	 Three-in-one Connector	86
2		1	B	 Wood Plug M8x30	24
3		1	C	 Screws M4x14	120
4		1	D	 Slider	12
5		4	F	 Screws M4x35	24
6		2	G	 Hinges	4
9		2	H	 Hinges	4
10		2	J	 Handle Screws M4x22	4
11		2	K	 Handle	10
12		1	L	 Screws For Fix On The Wall M4*40	4
13		6	M	 Handle Screws M4x18	6
14		6			
15		2			
16		1			
17		2			
18		2			
19		2			
20		2			
21		1			
22		1			
23		4			
24		4			
25		4			

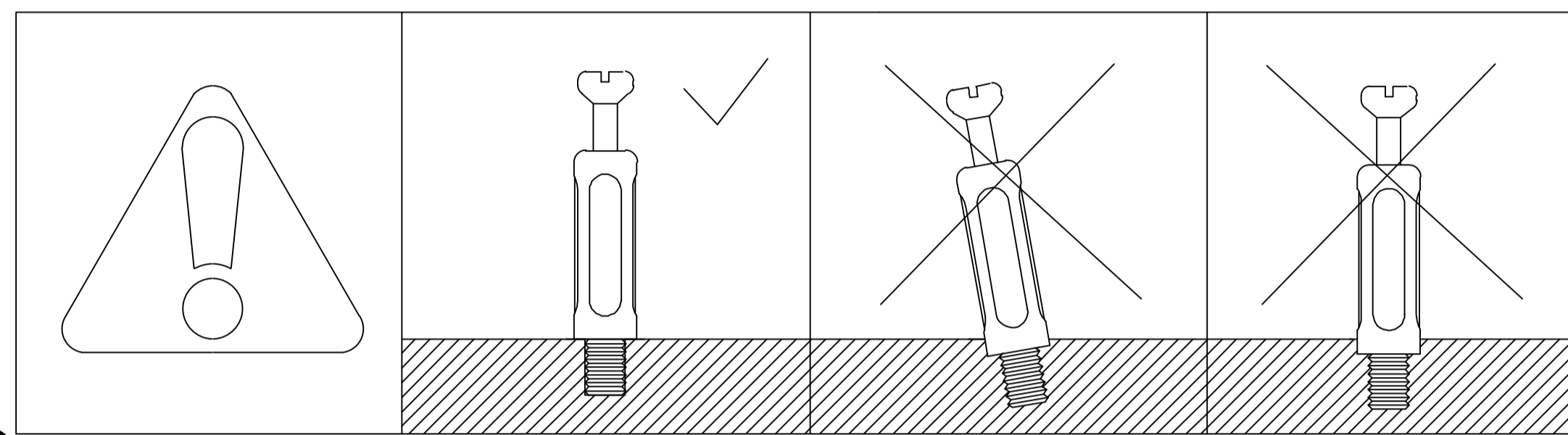
CAUTION: Please confirm the parts list before installtion

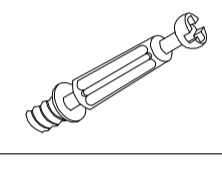
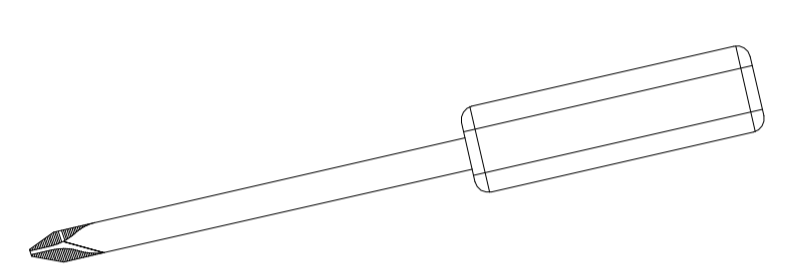
YOU MAY NEED(NOT SUPPLIED)



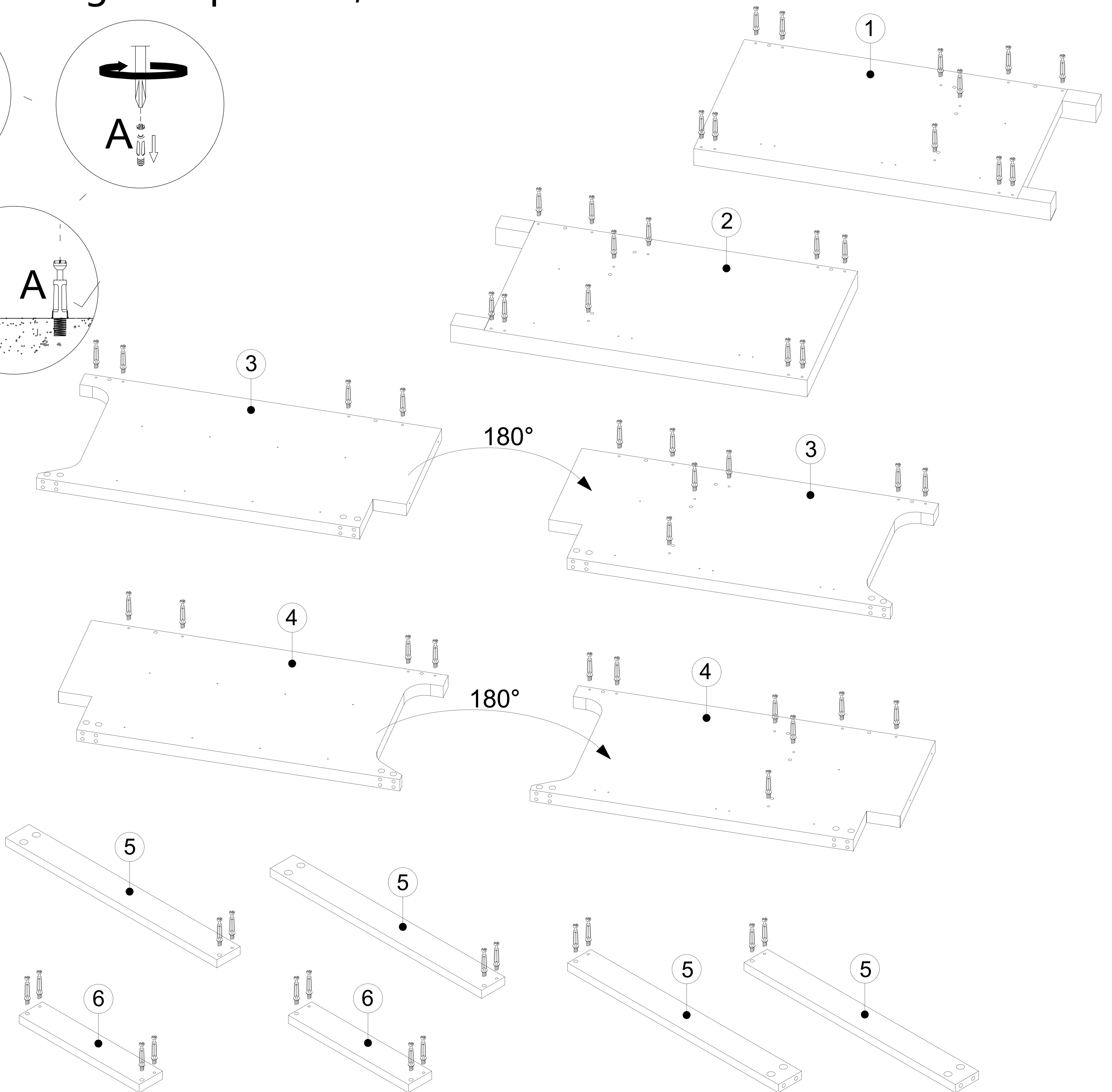
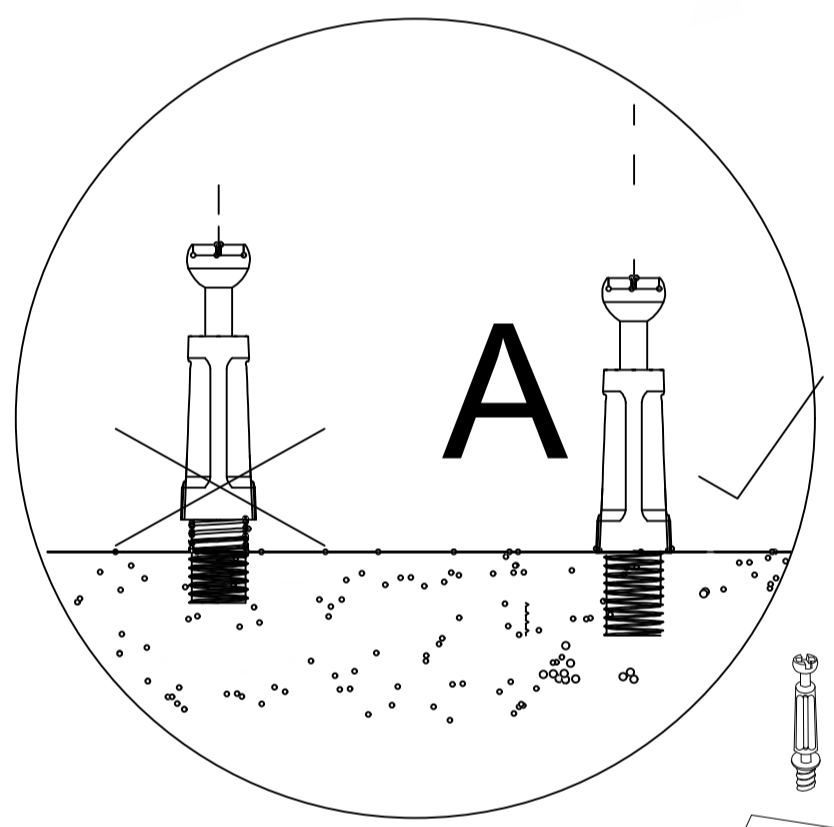
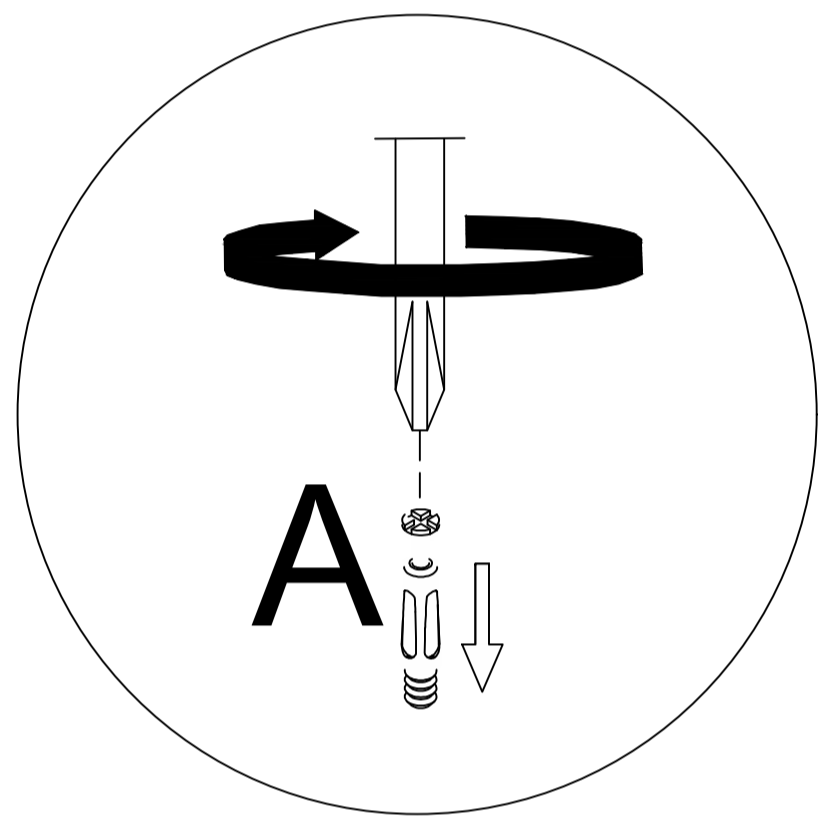
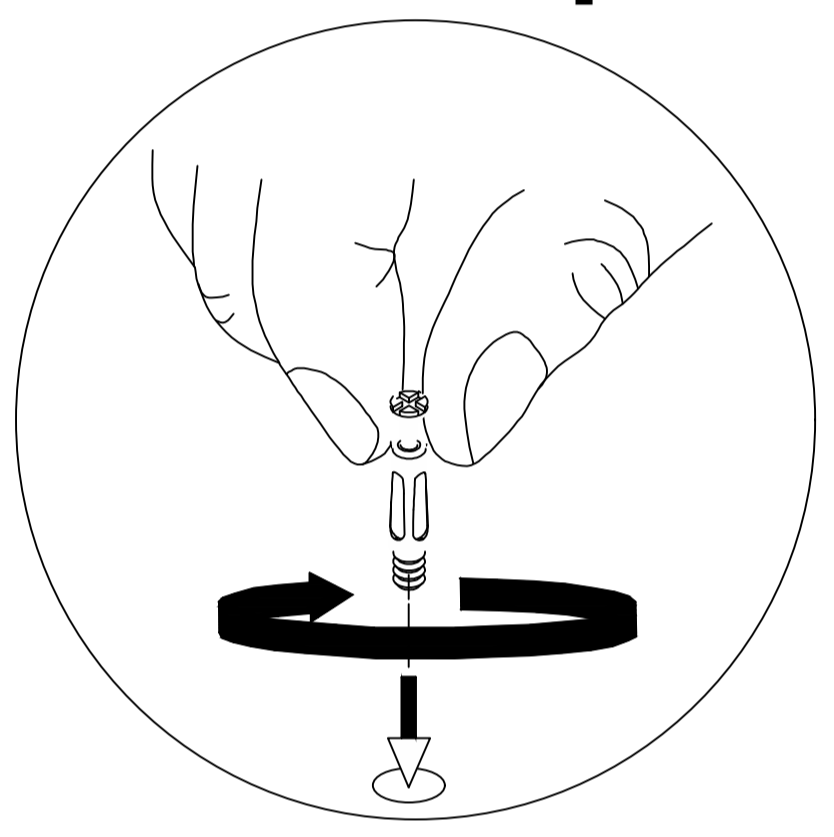
INSTALLATIONS

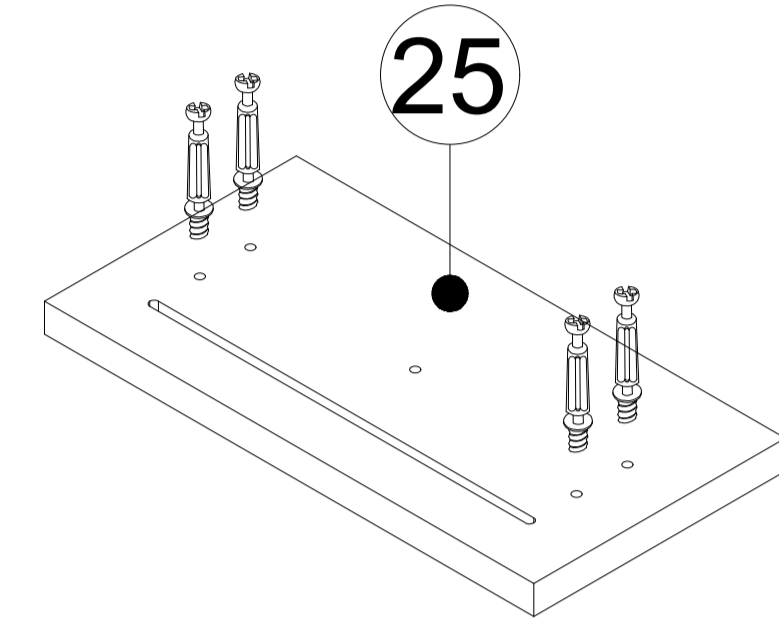
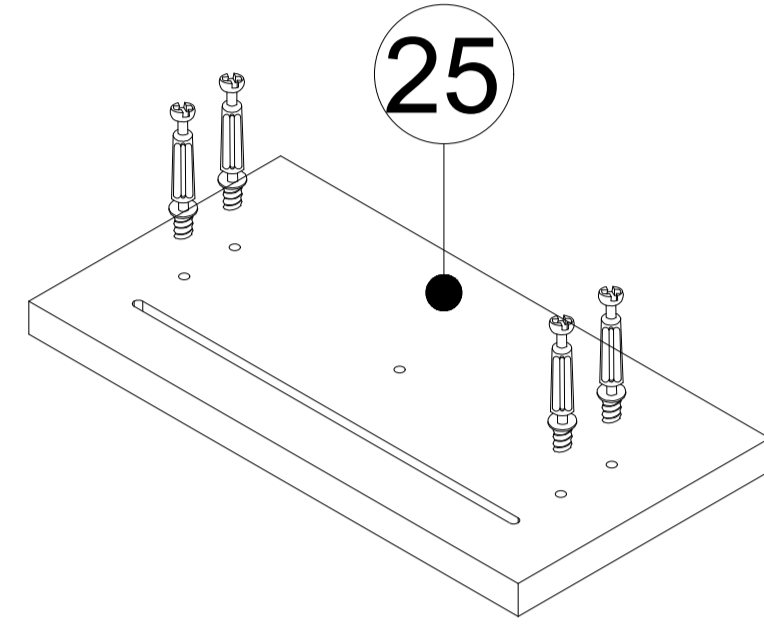
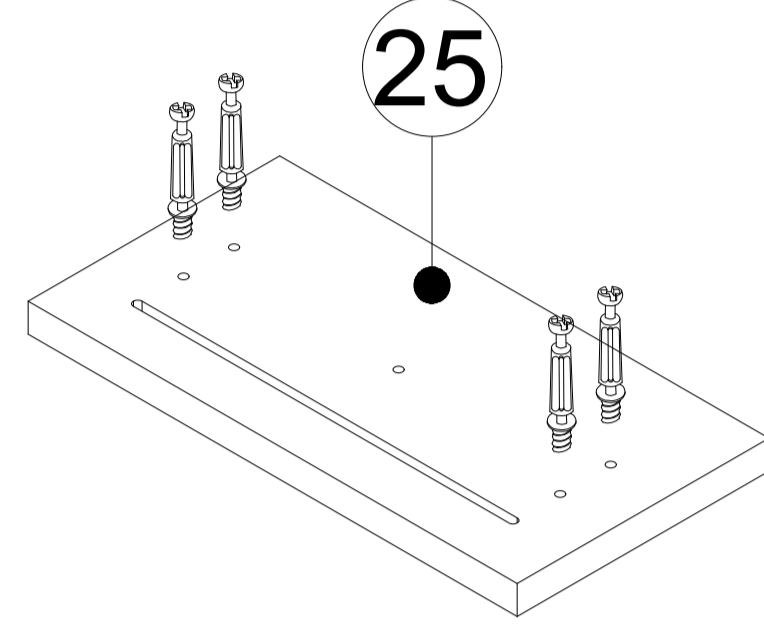
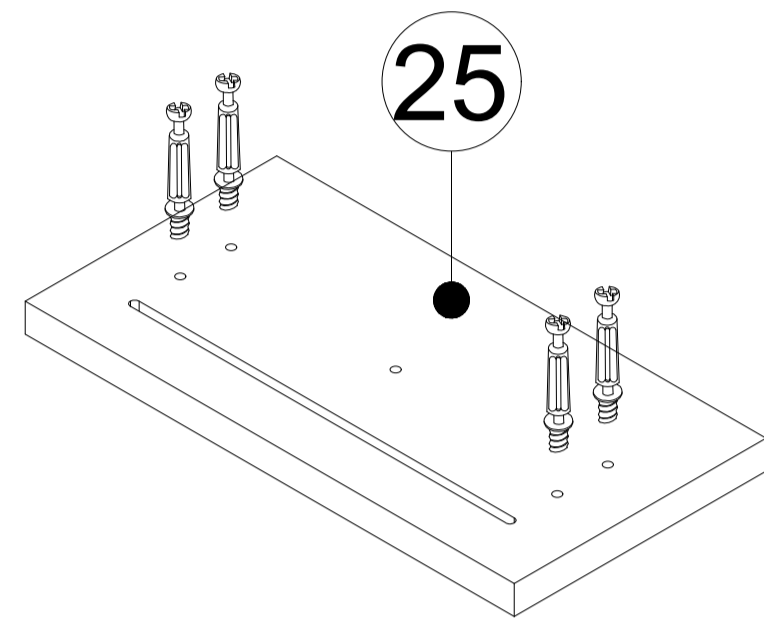
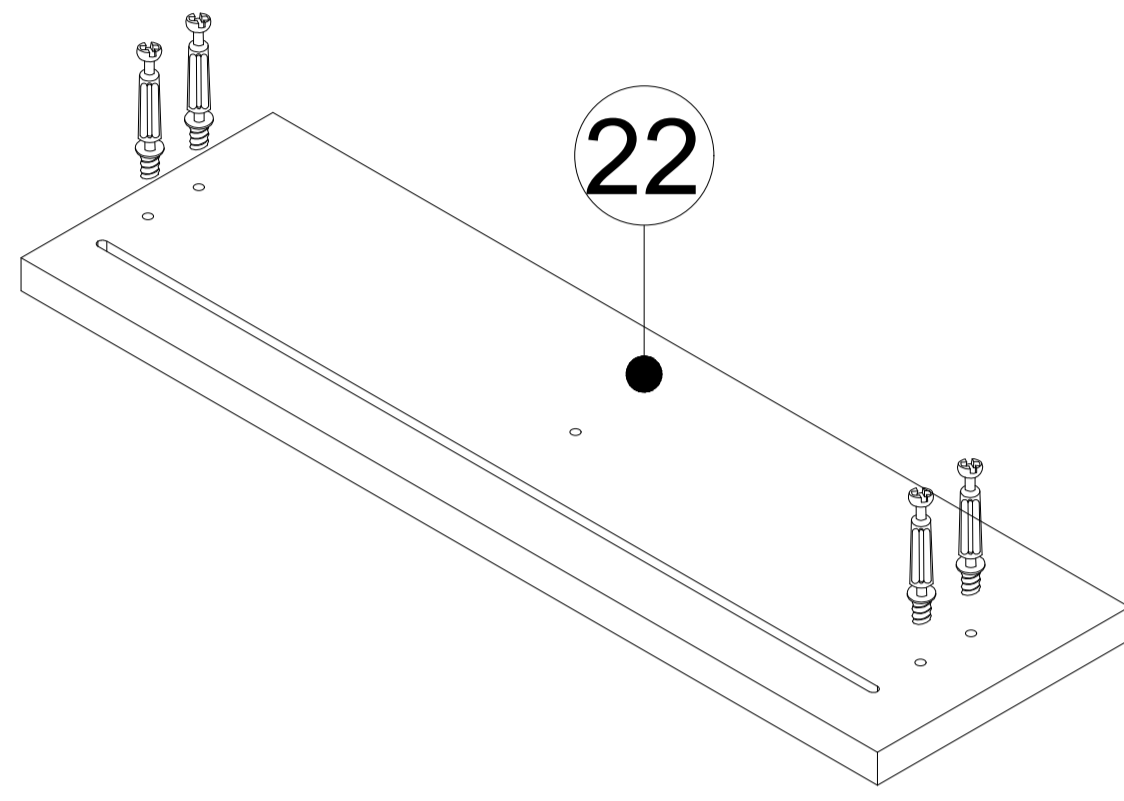
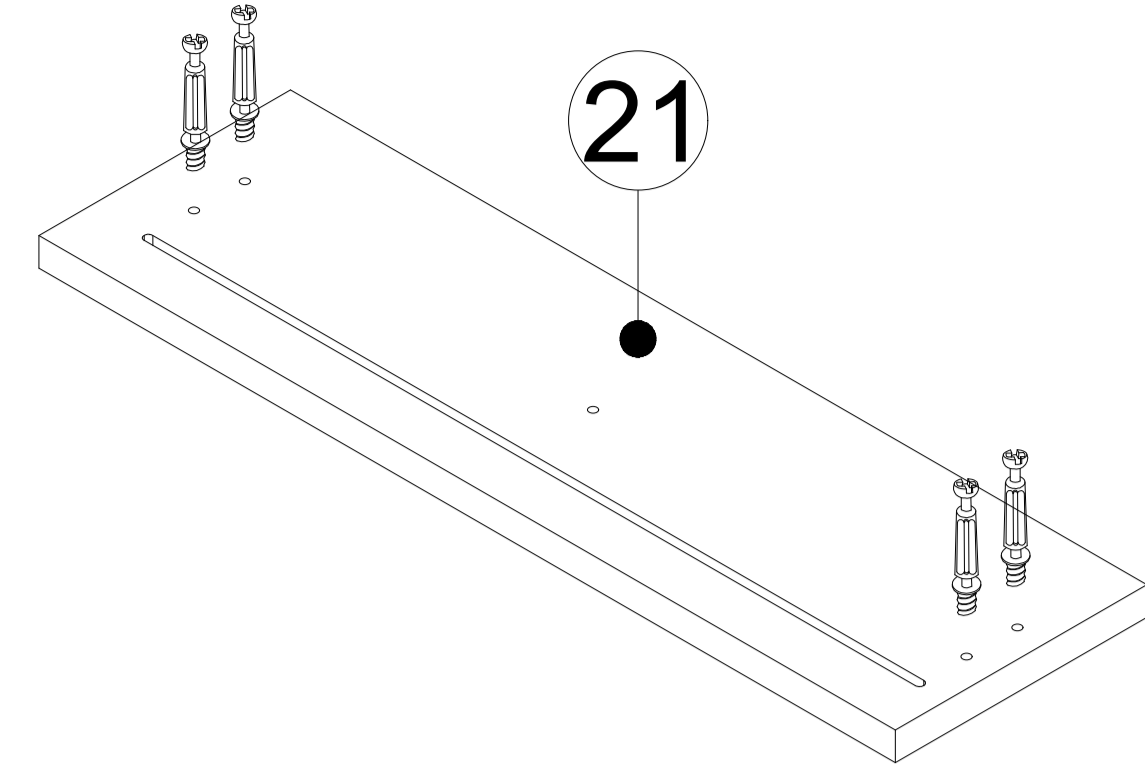
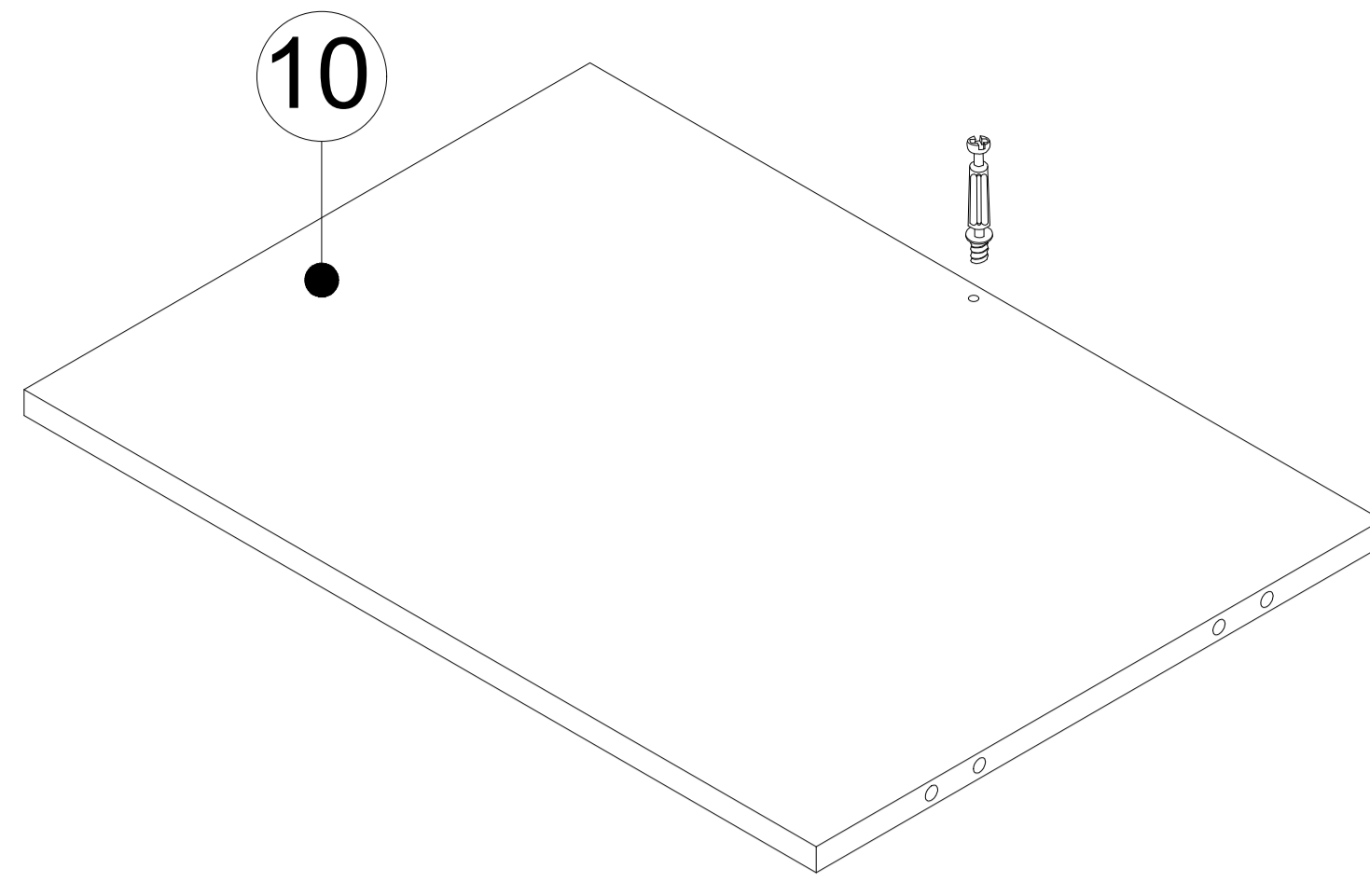
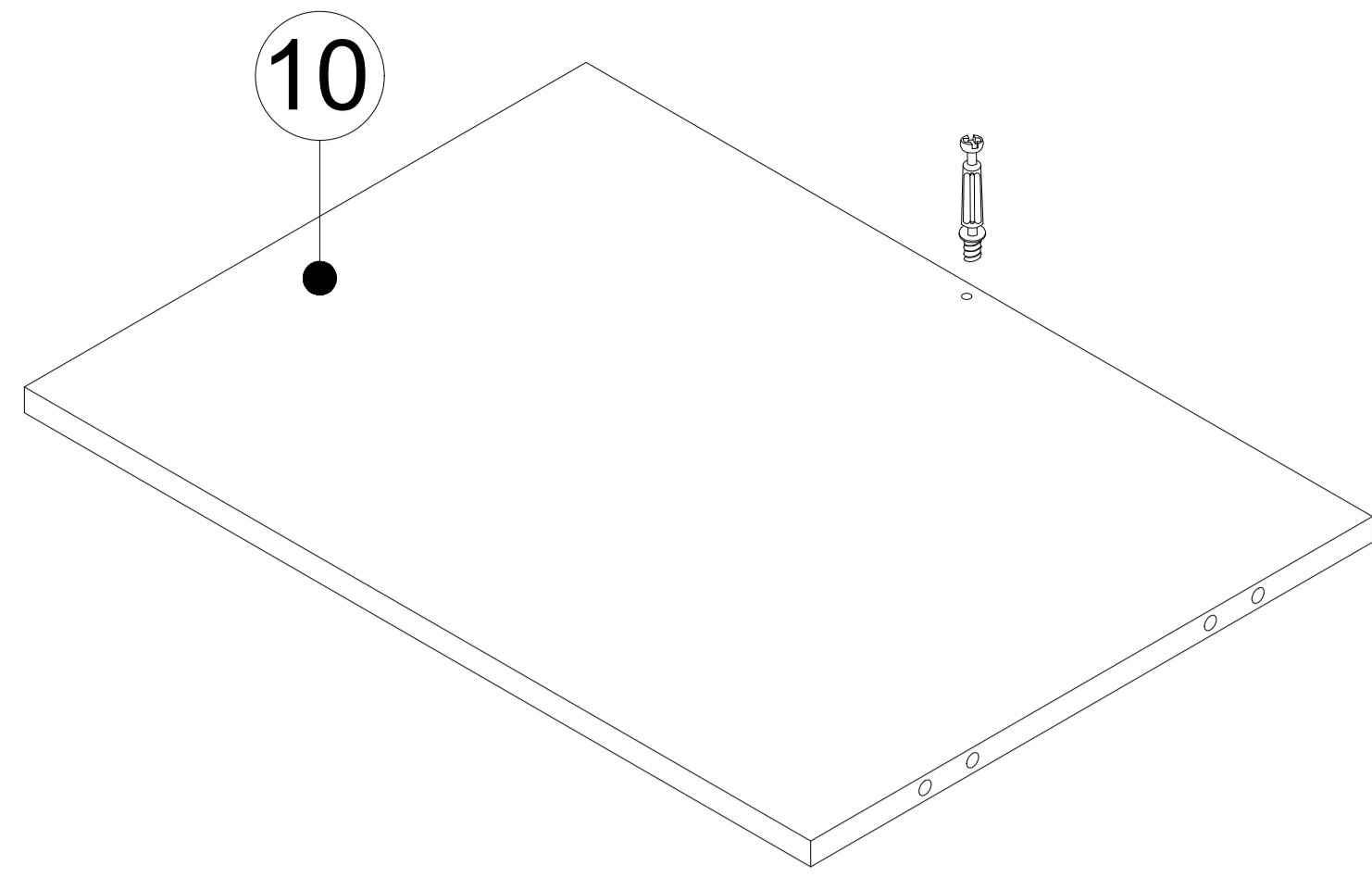
STEP 1



HARDWARE LIST		
A		86PCS
		

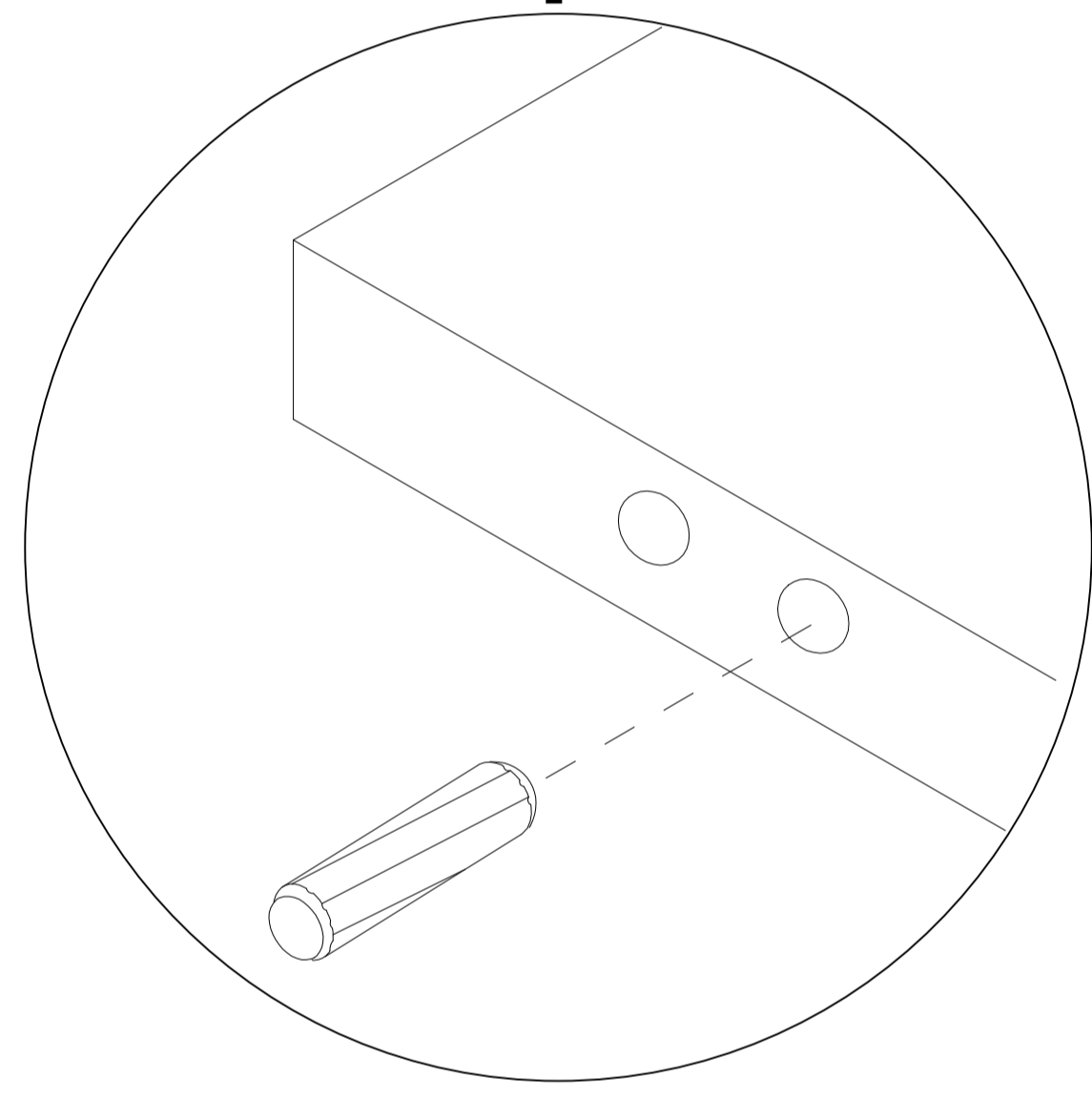
Screw the screw into the corresponding hole position;

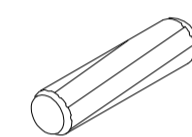
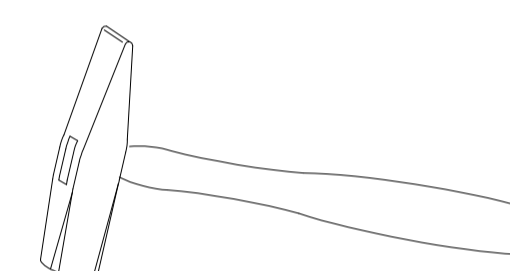


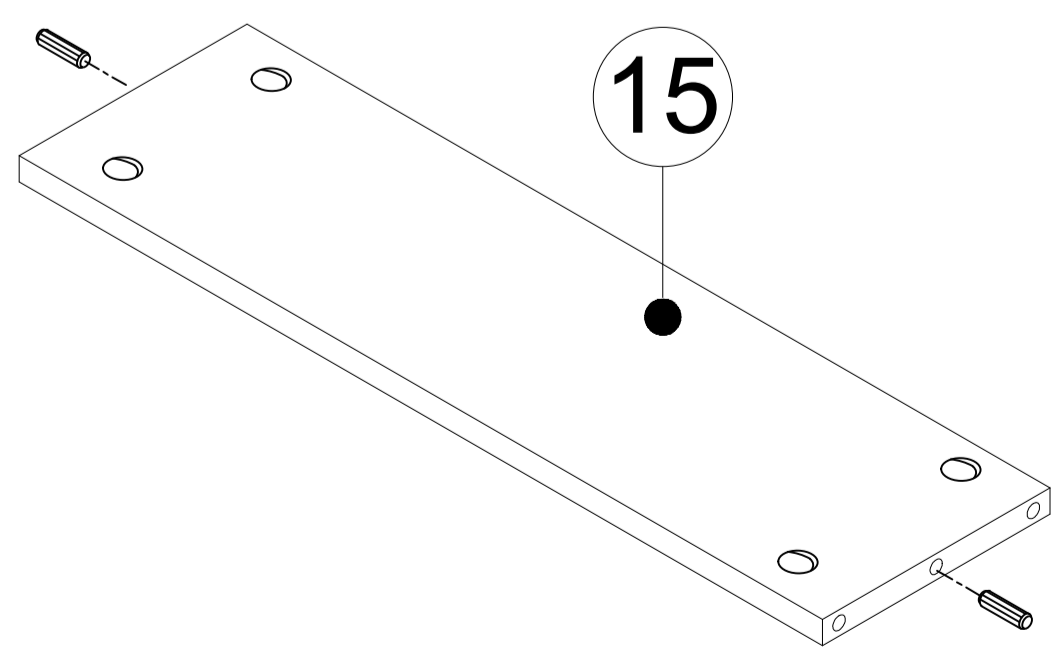
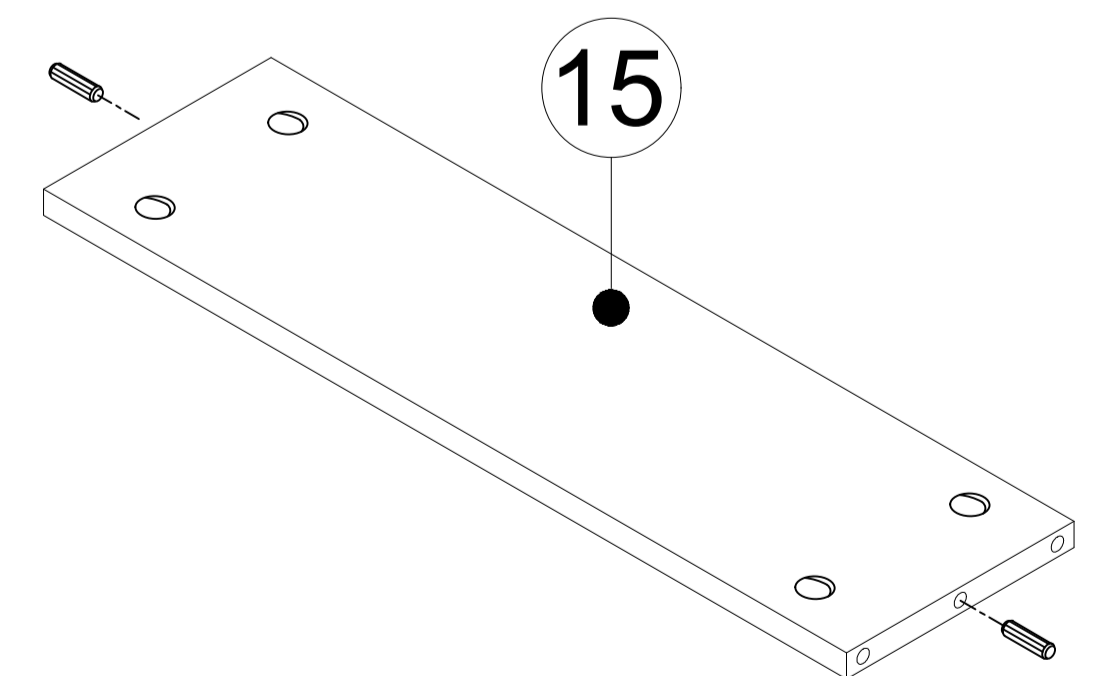
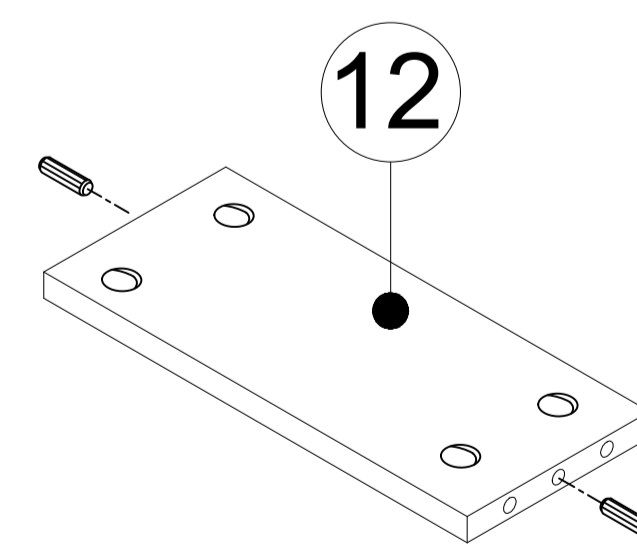
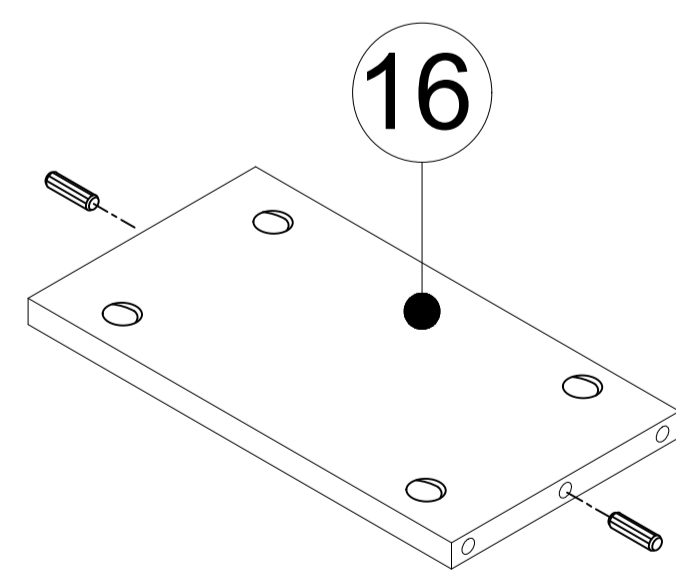
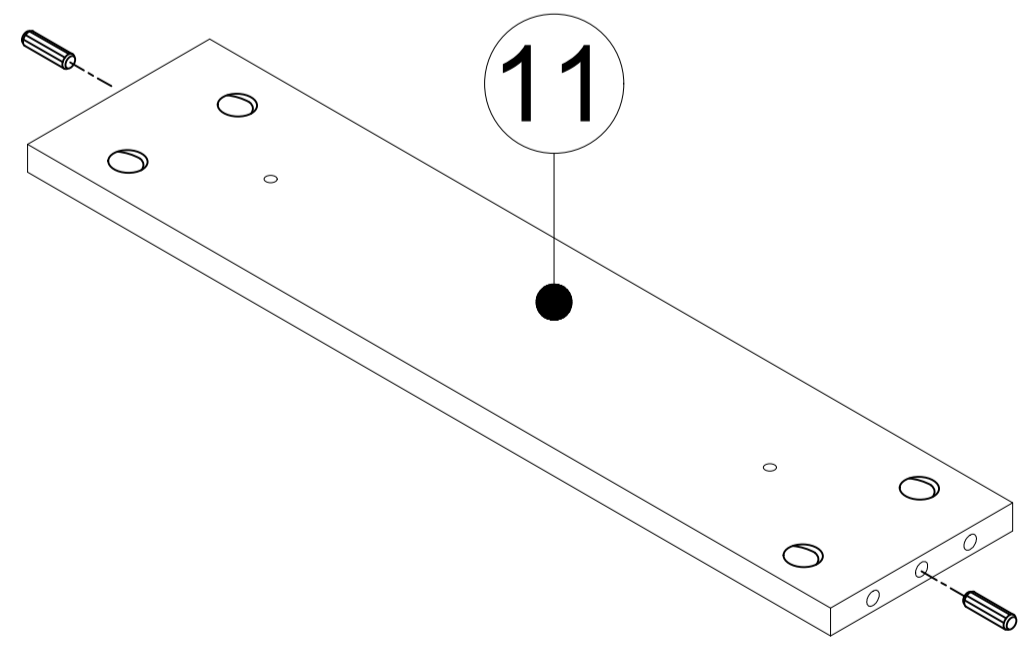
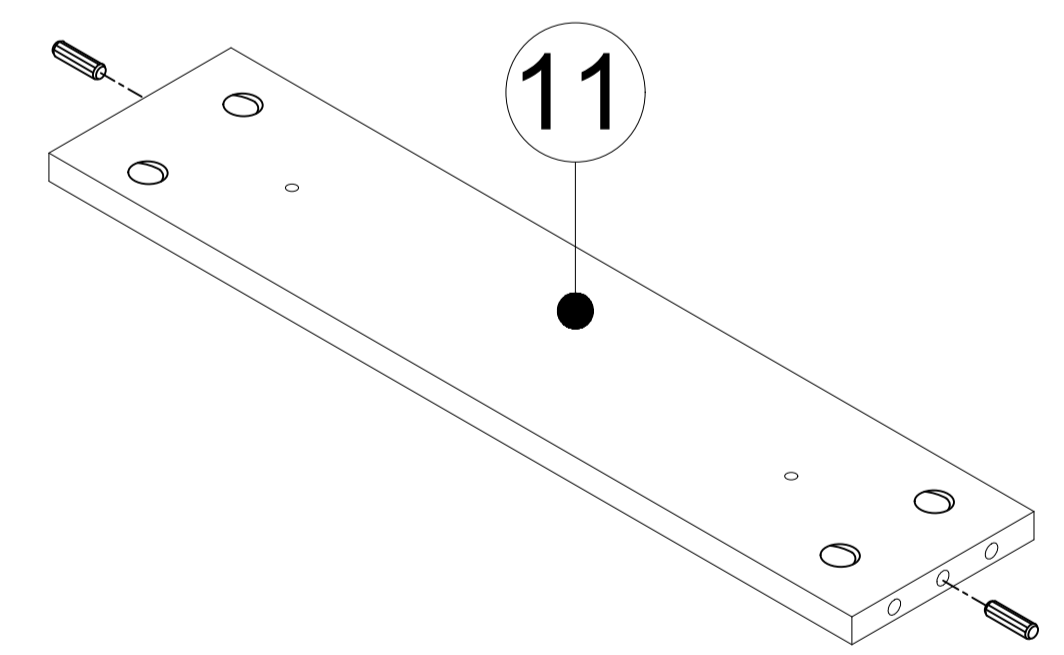
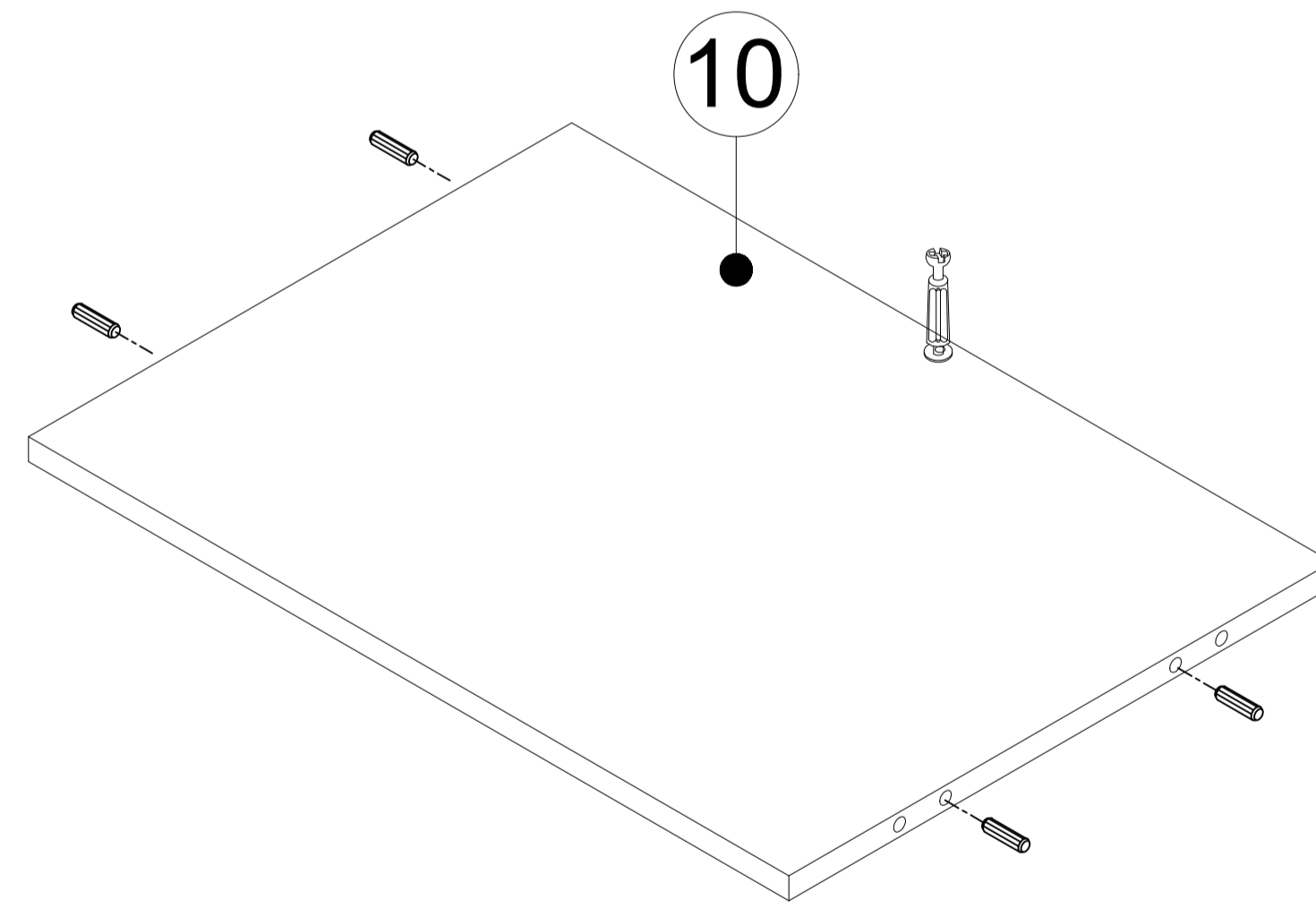
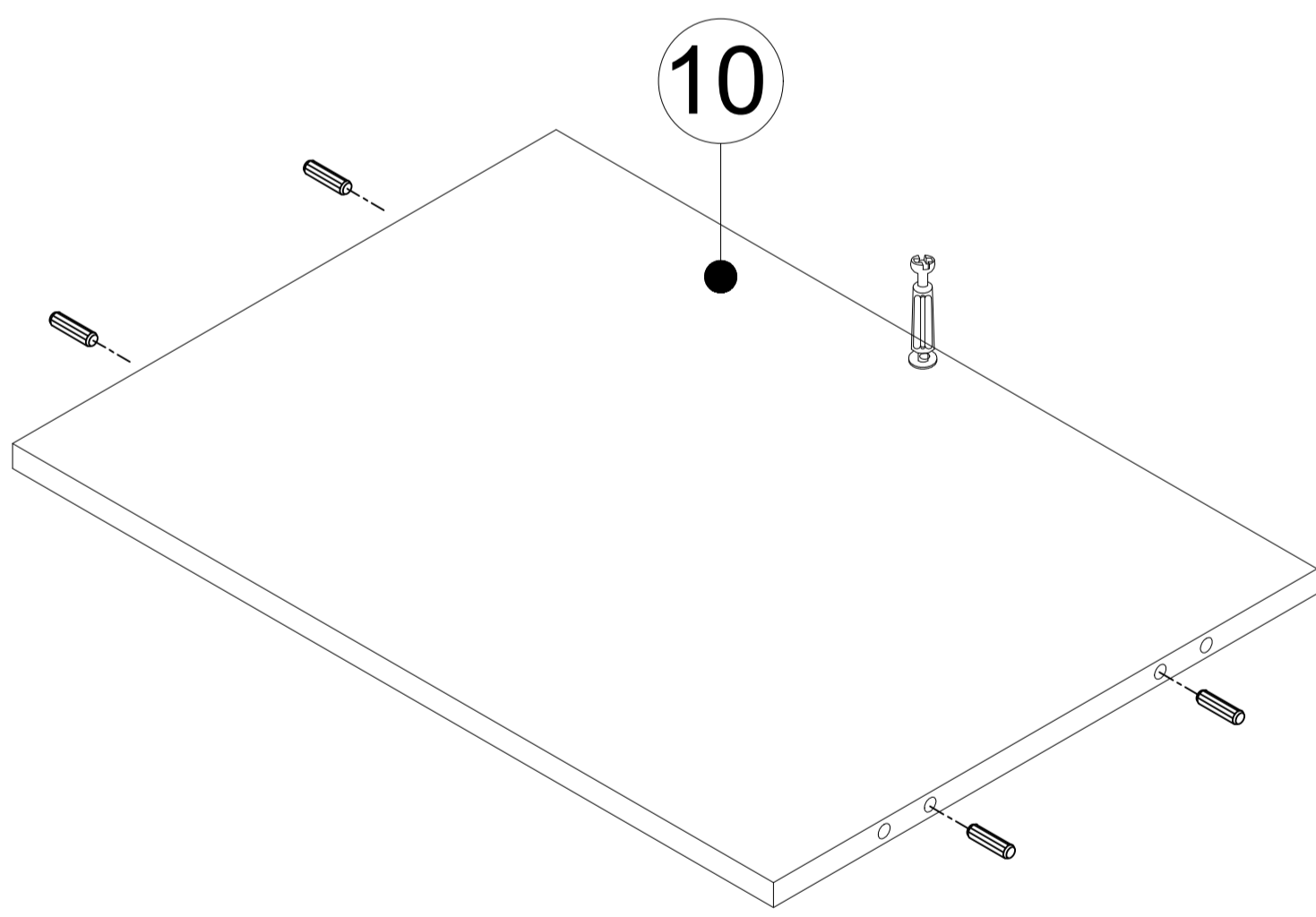
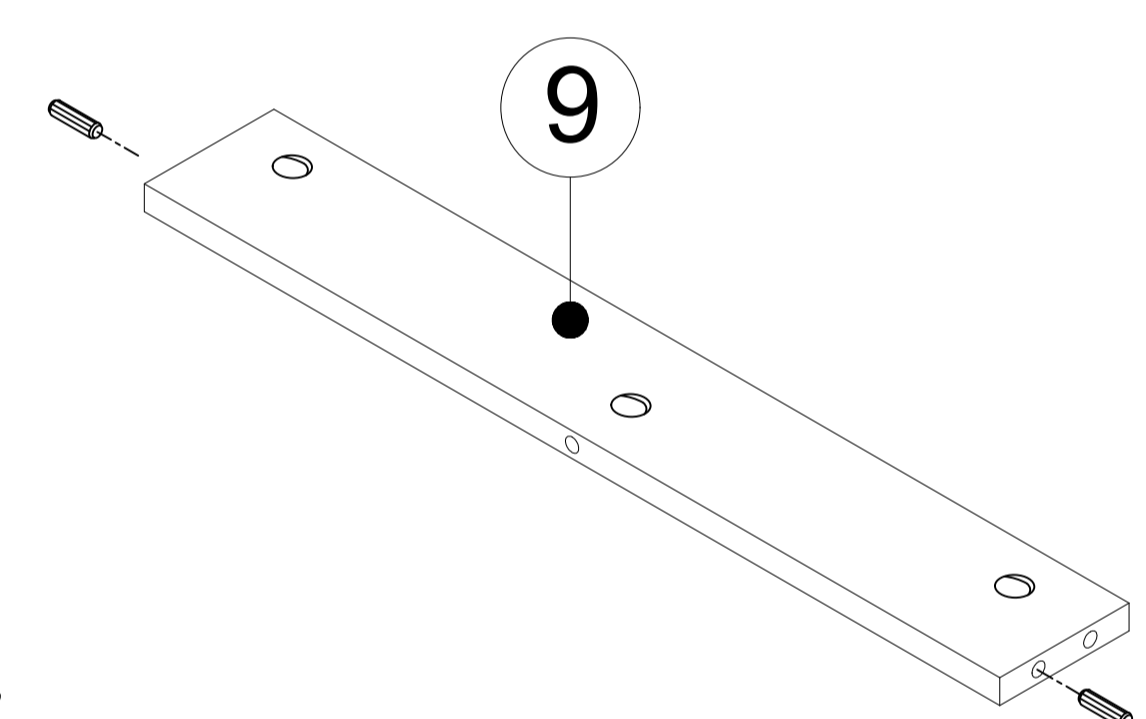
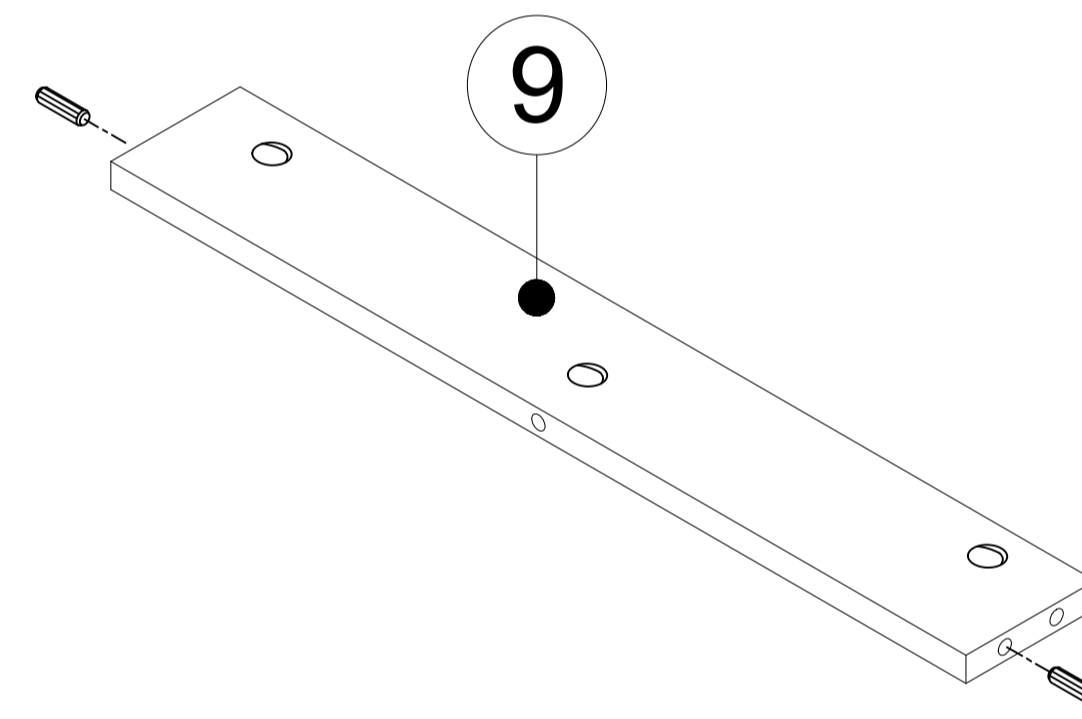


STEP 2

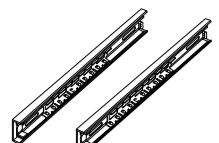
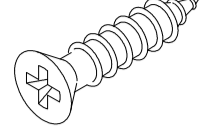
Knock the wood into the corresponding hole position;

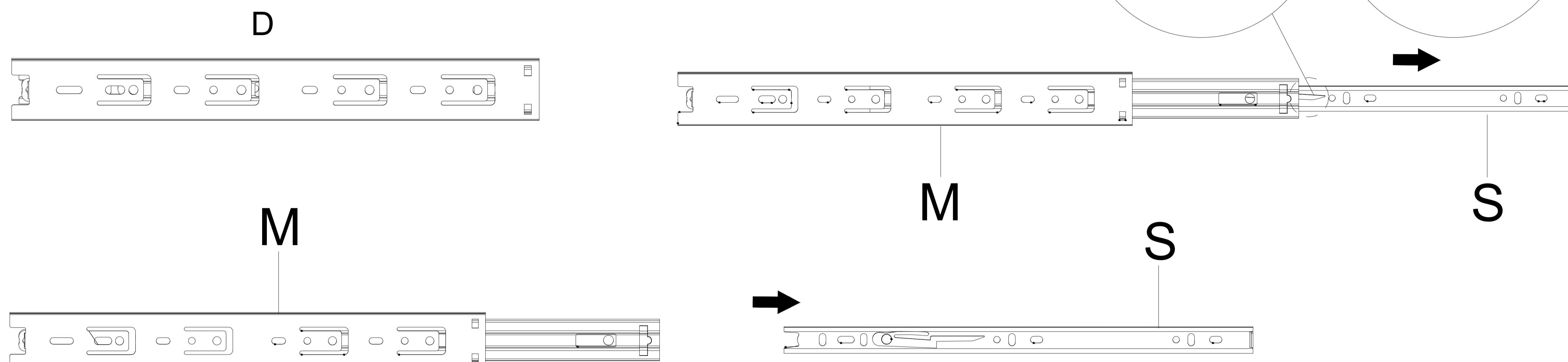
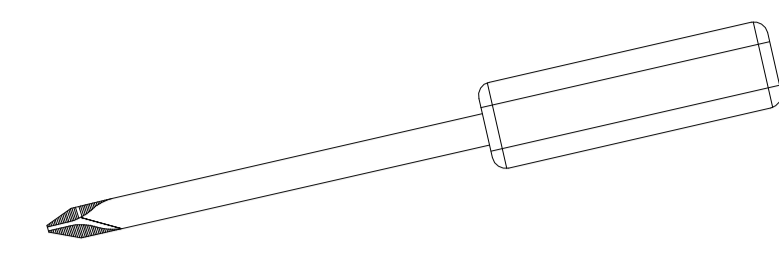


HARDWARE LIST		
B		24PCS
		

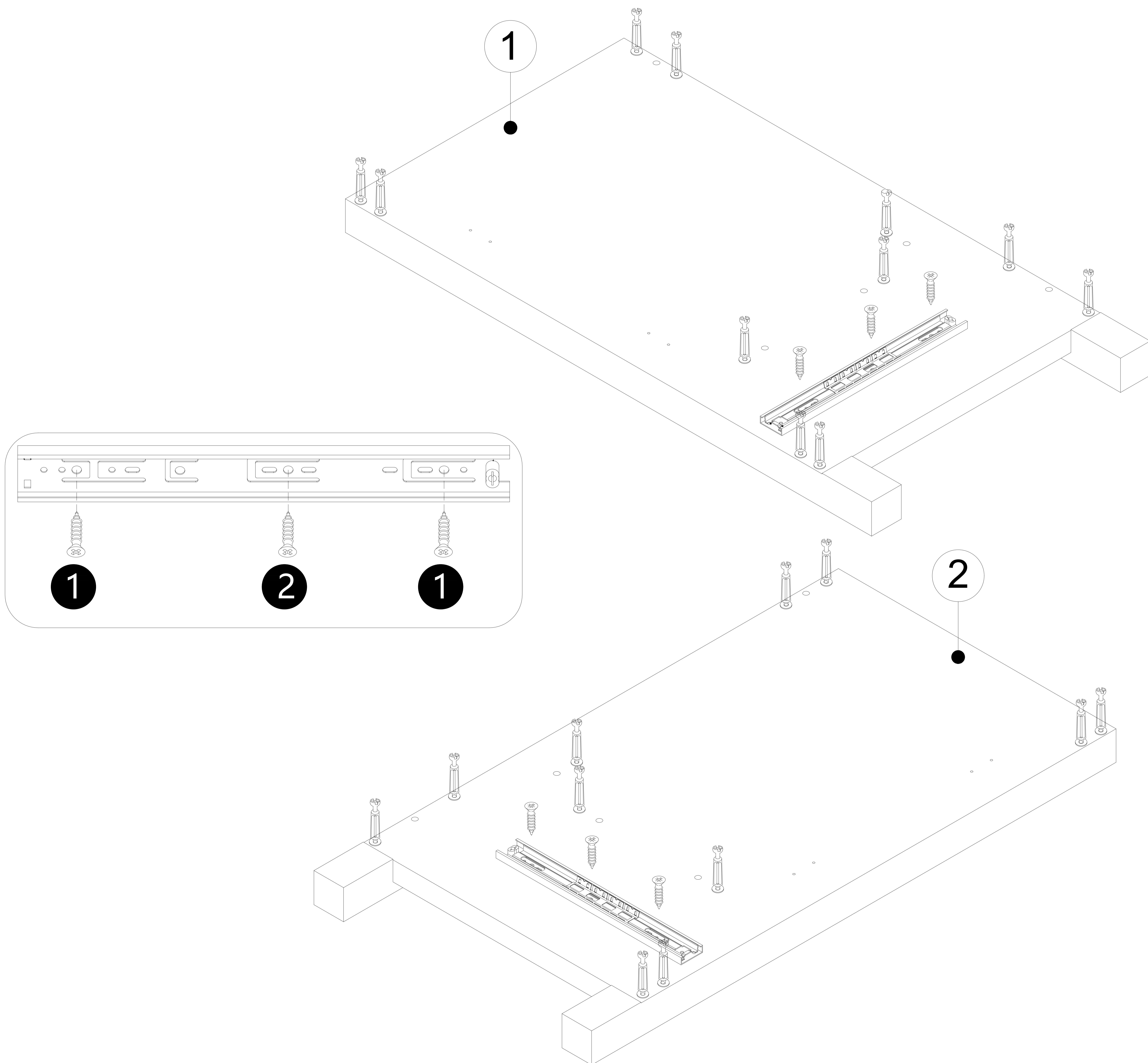


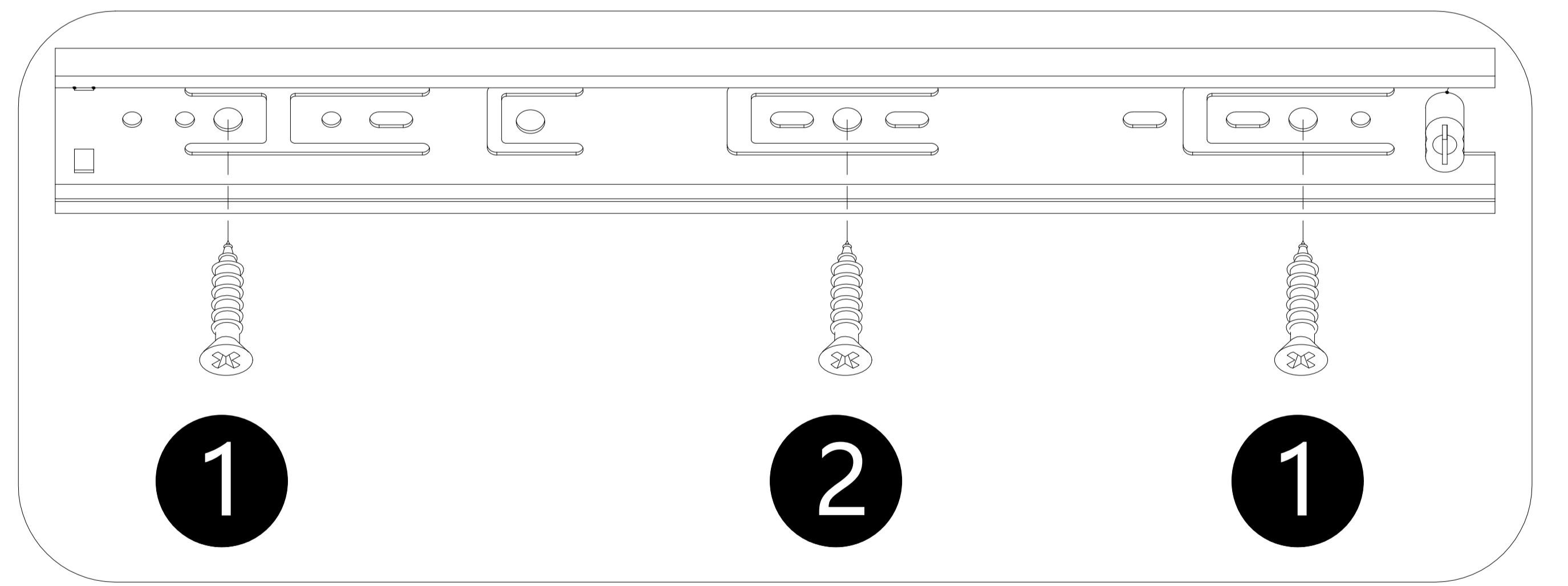
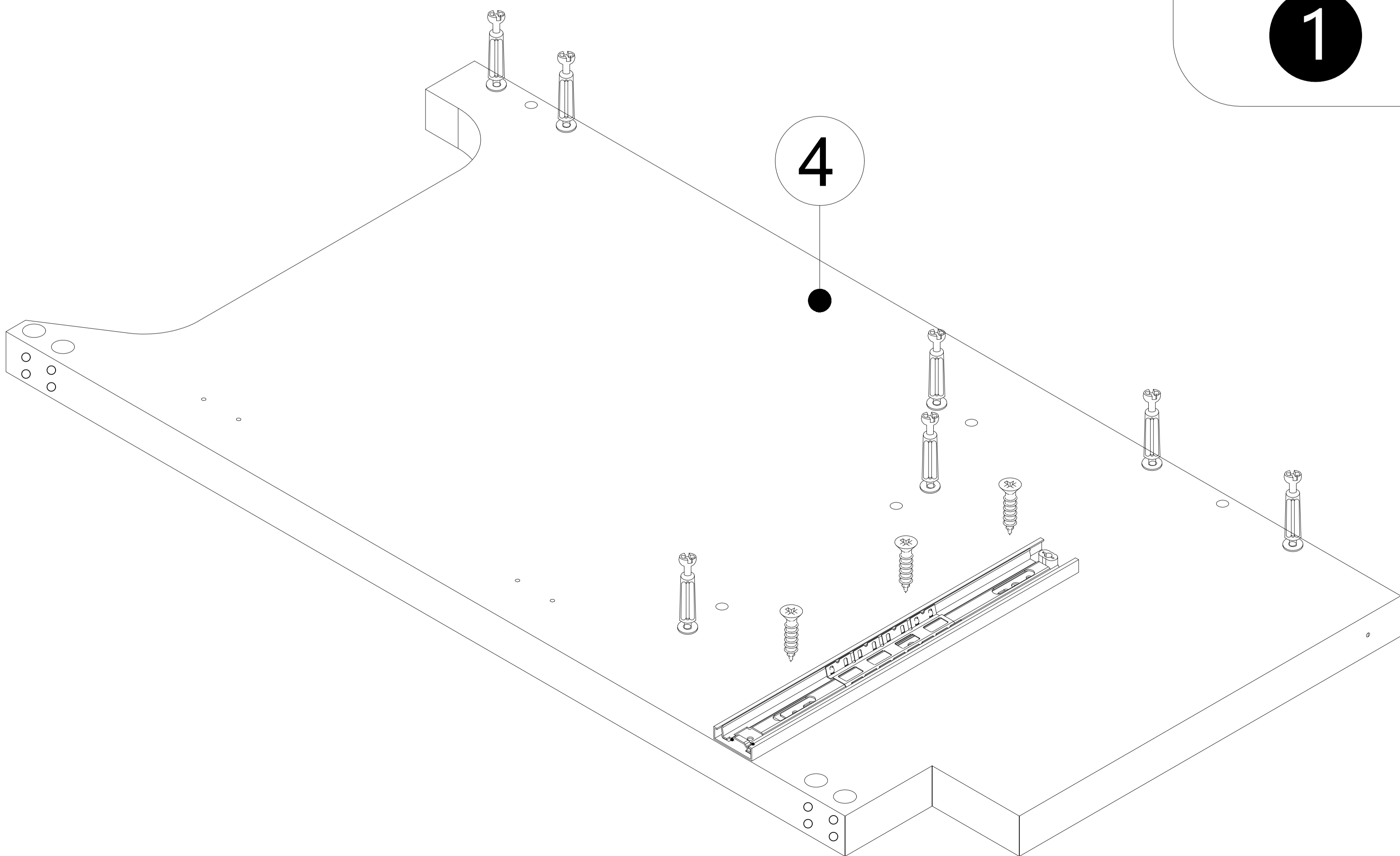
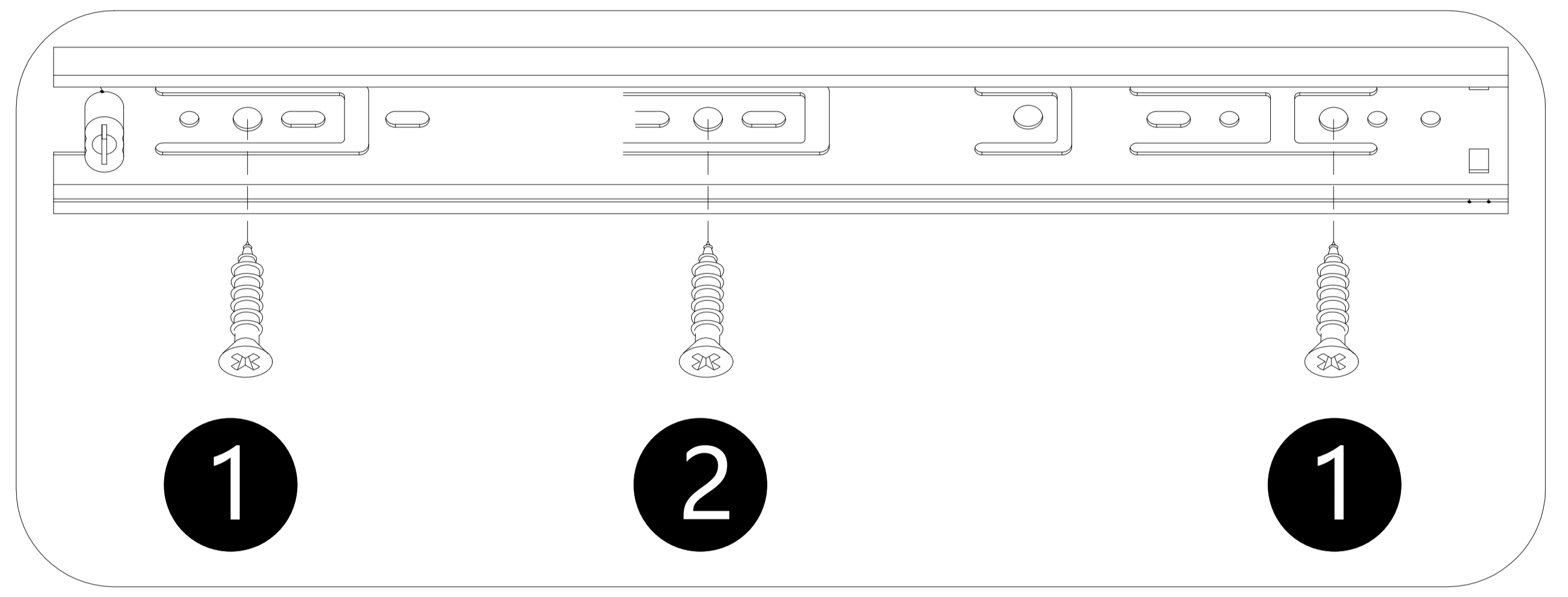
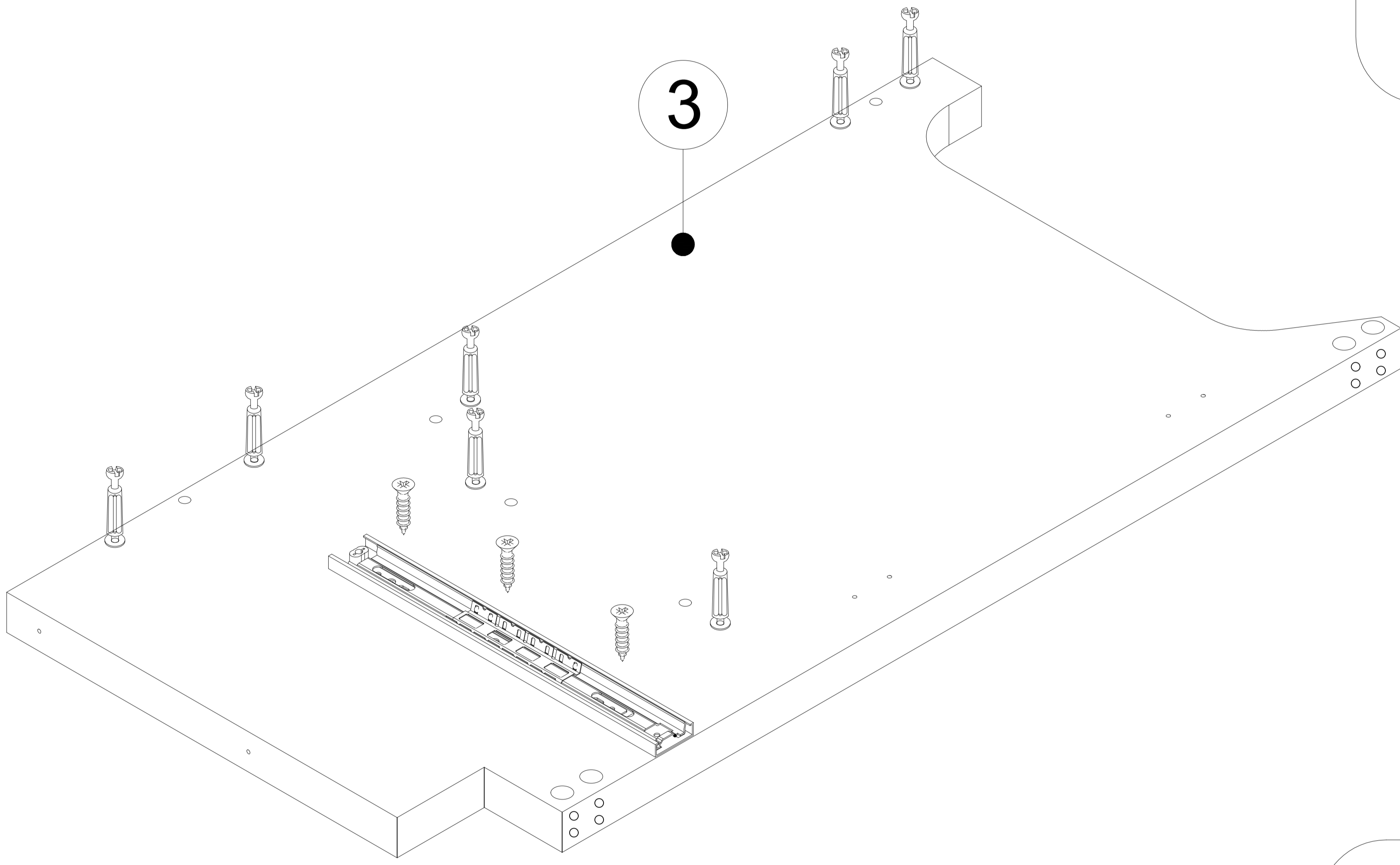
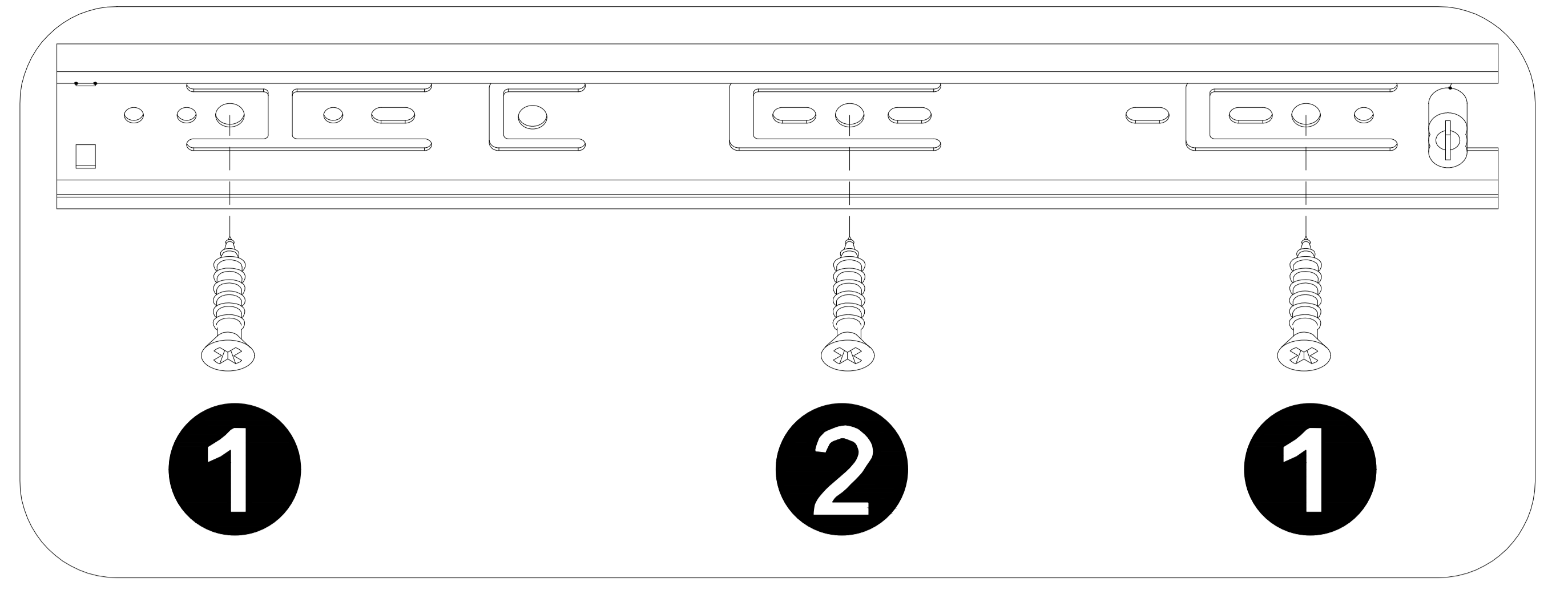
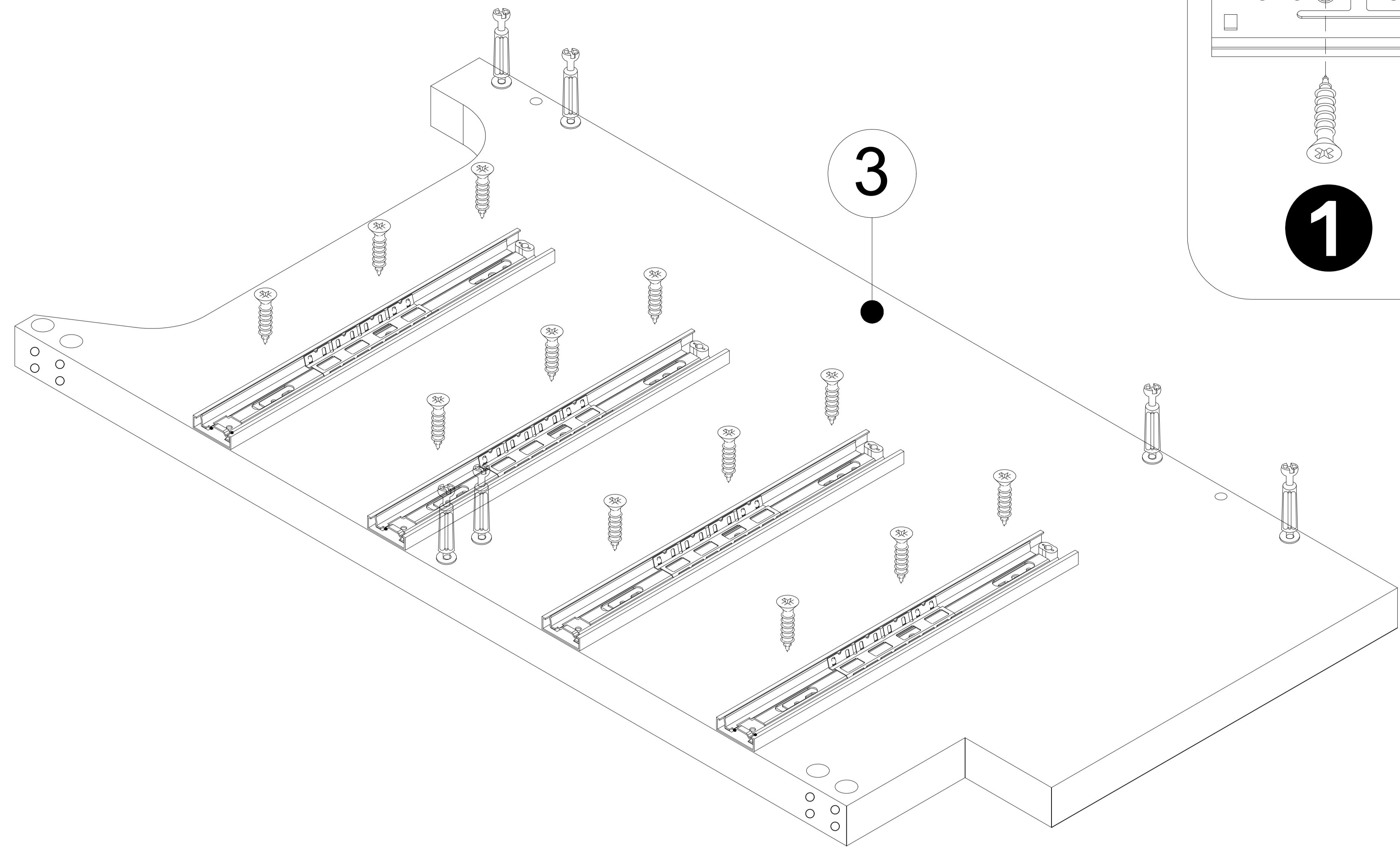
STEP 3

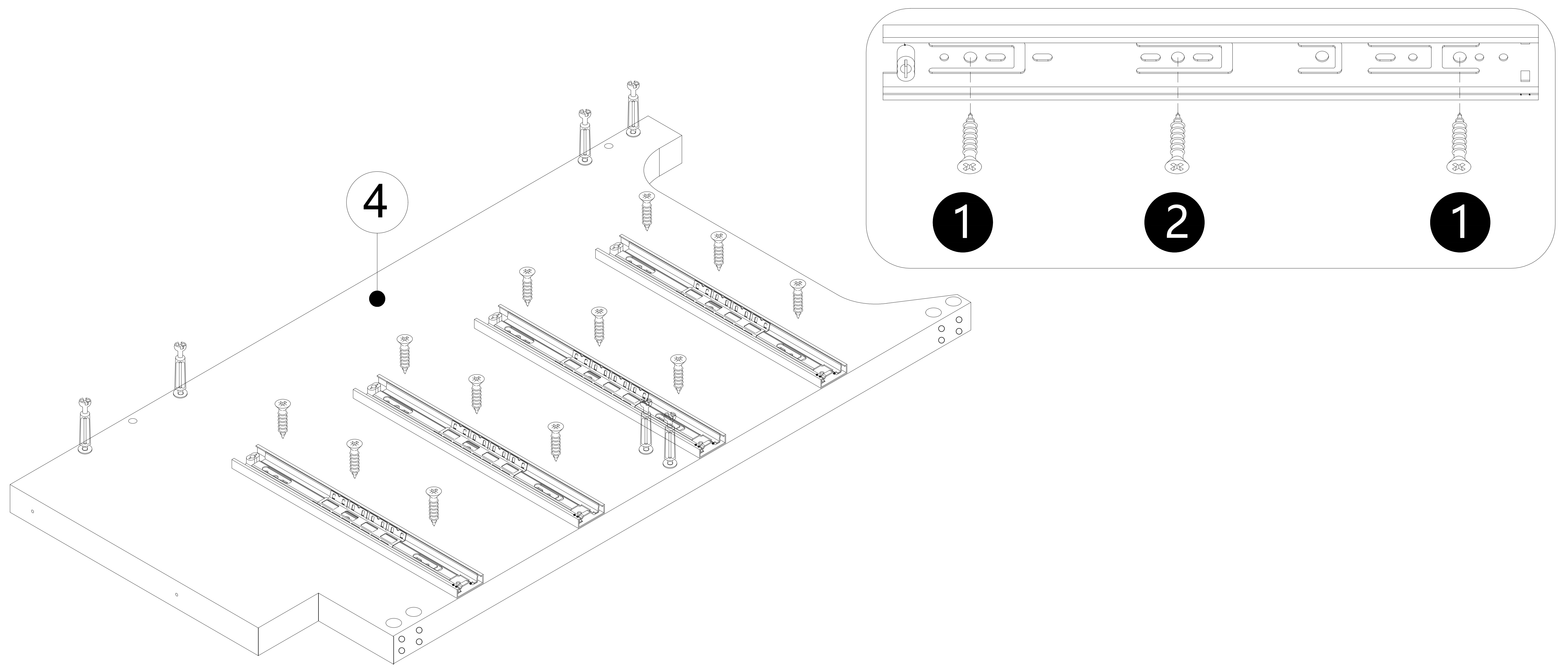
HARDWARE LIST		
D		6 SET
C		36PCS



● Keep pressing here, then pull out to divide the slide.

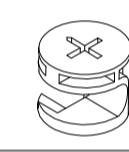
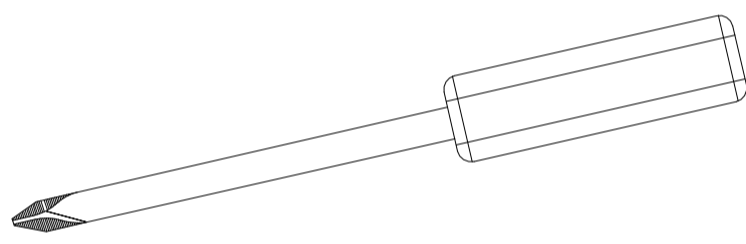


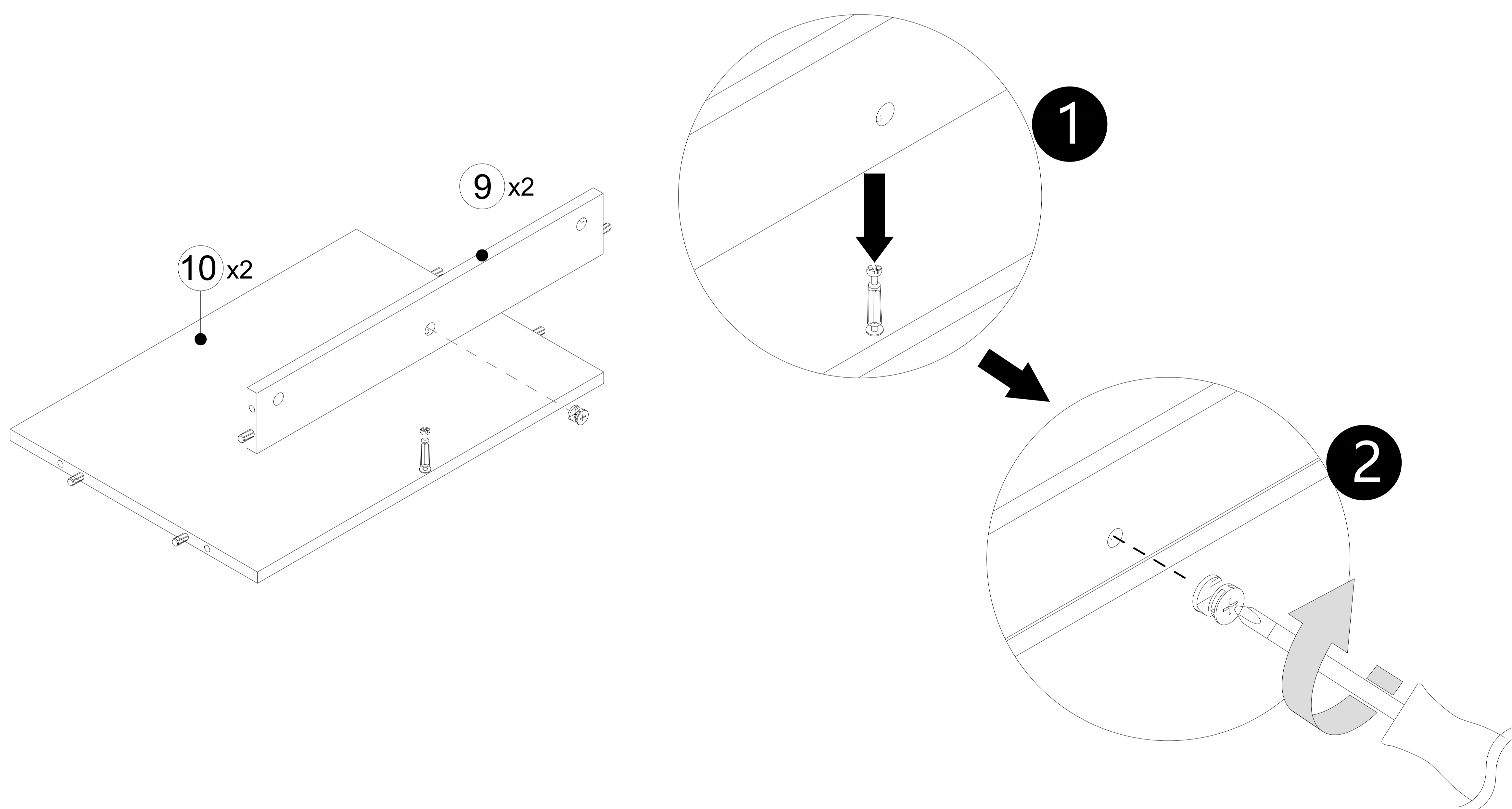




- Refer to the illustration to fix the Slide rails to the board #1,#2,#3,#4 with screws.

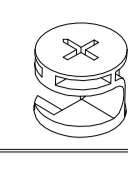
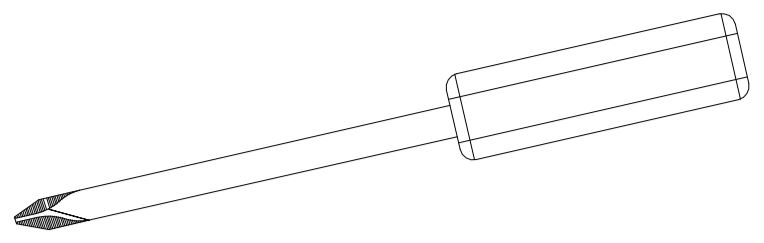
STEP 4

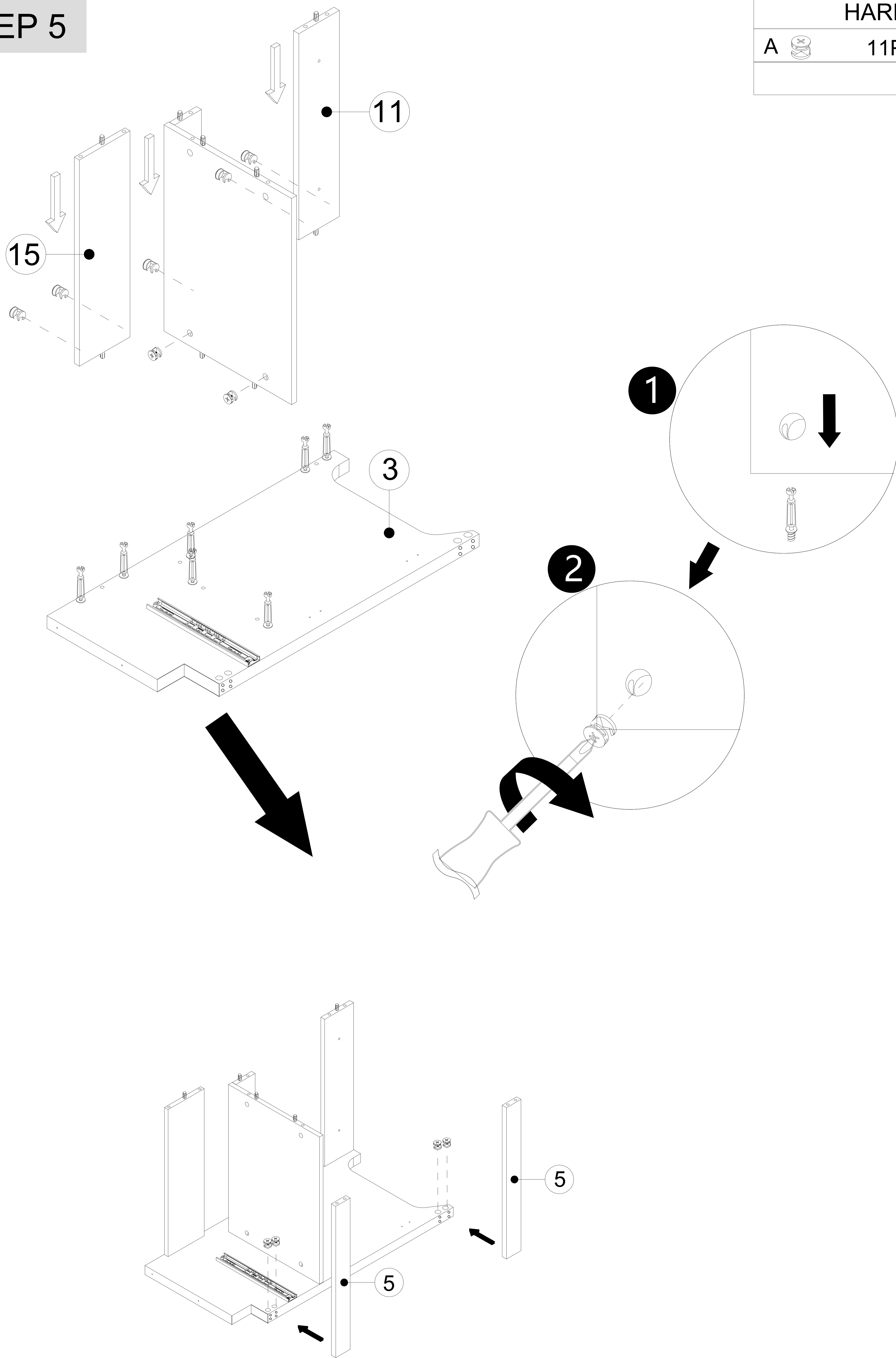
HARDWARE LIST		
A	 2PCS	



- Insert shelves #9 and #10 downwards to their corresponding positions. Then tighten the cam lock with the cover.

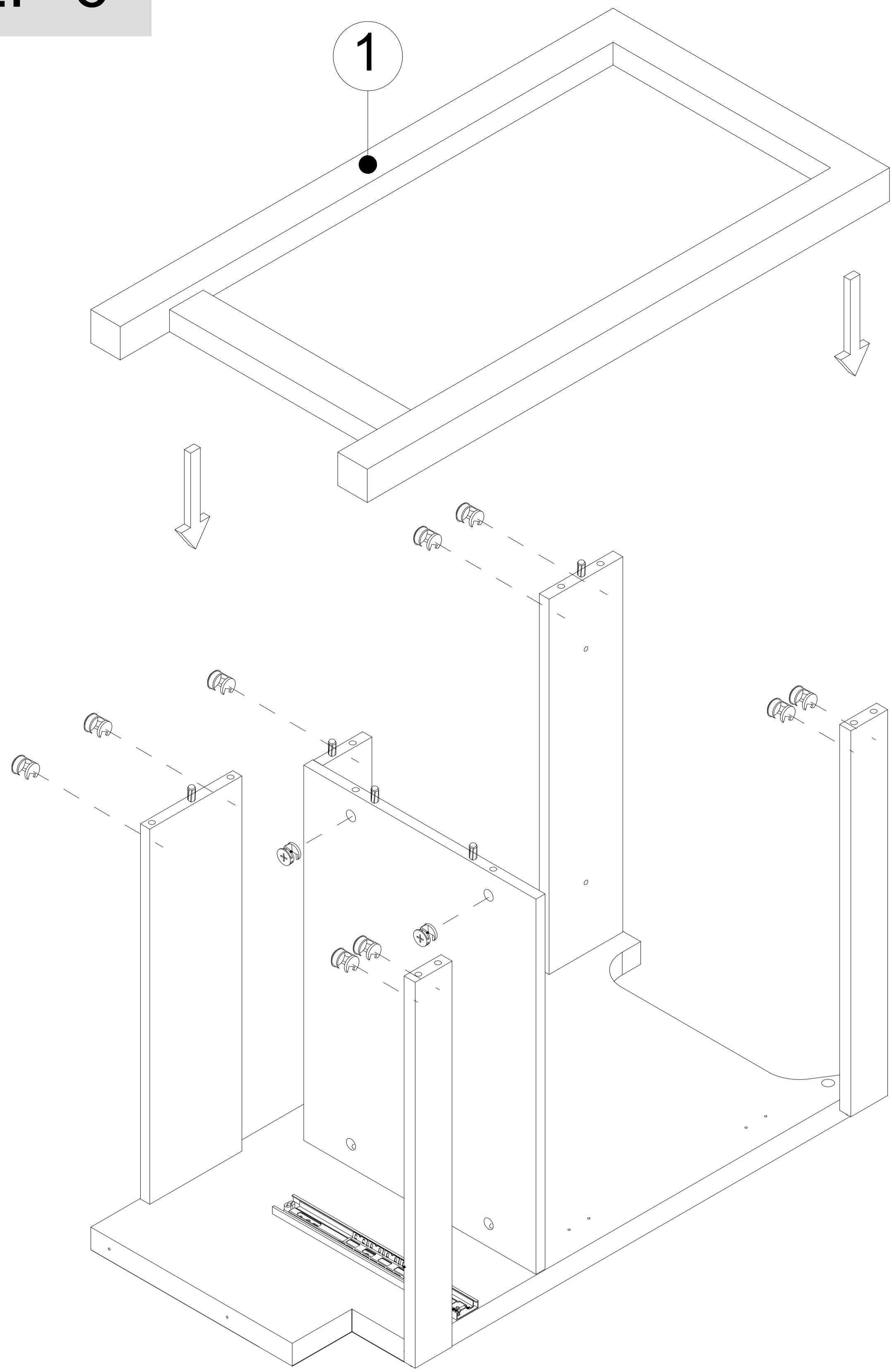
STEP 5

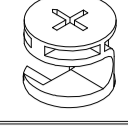
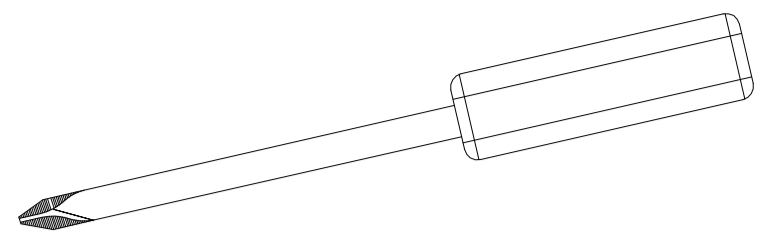
HARDWARE LIST		
A		11PCS
		

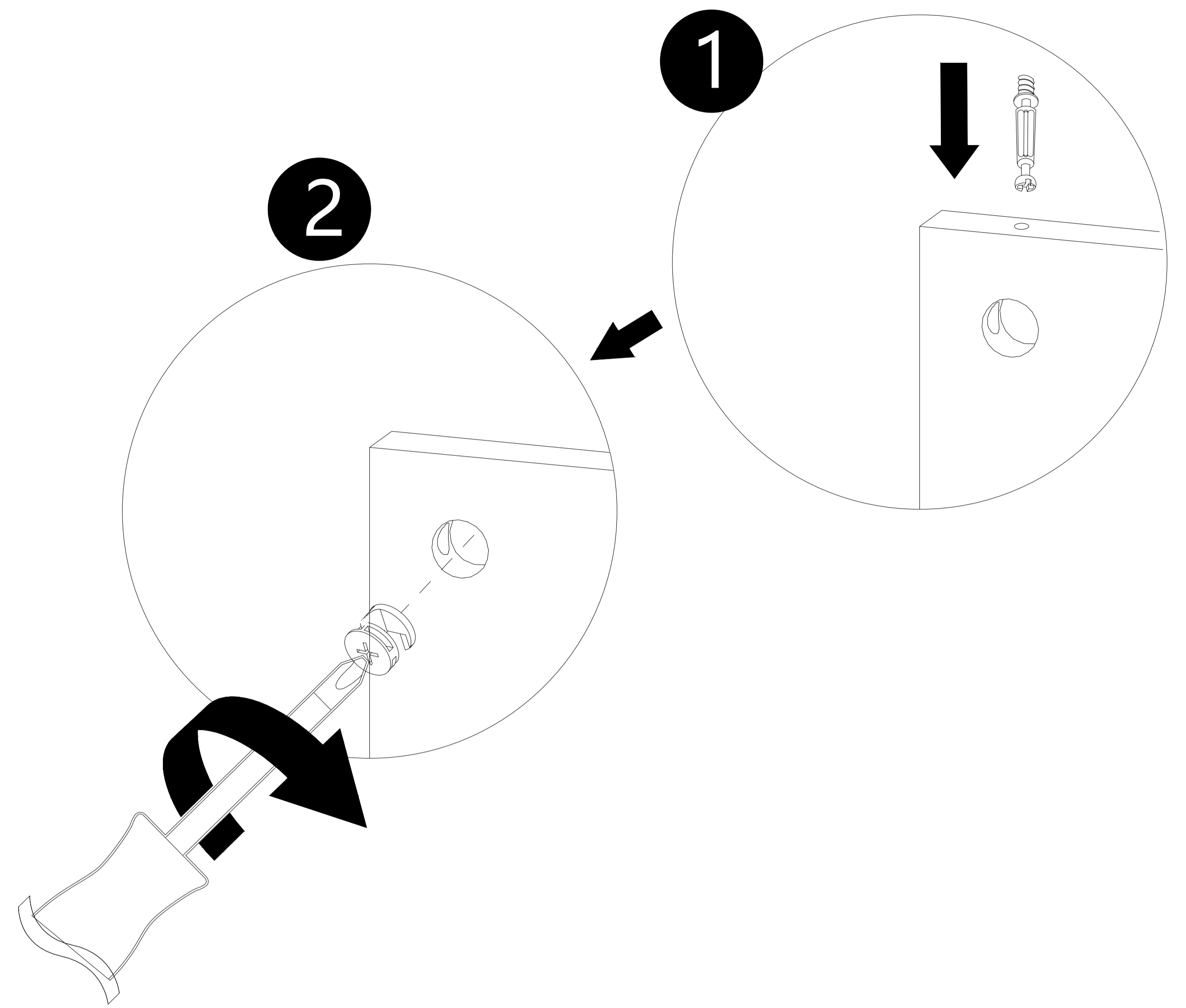


- Refer to the illustration, insert the shelves #11, #15 and already assembled #9, #10 on the shelf #3. Insert the #5 into the assembled shelf as well. Then tighten the cam lock with the cover.

STEP 6

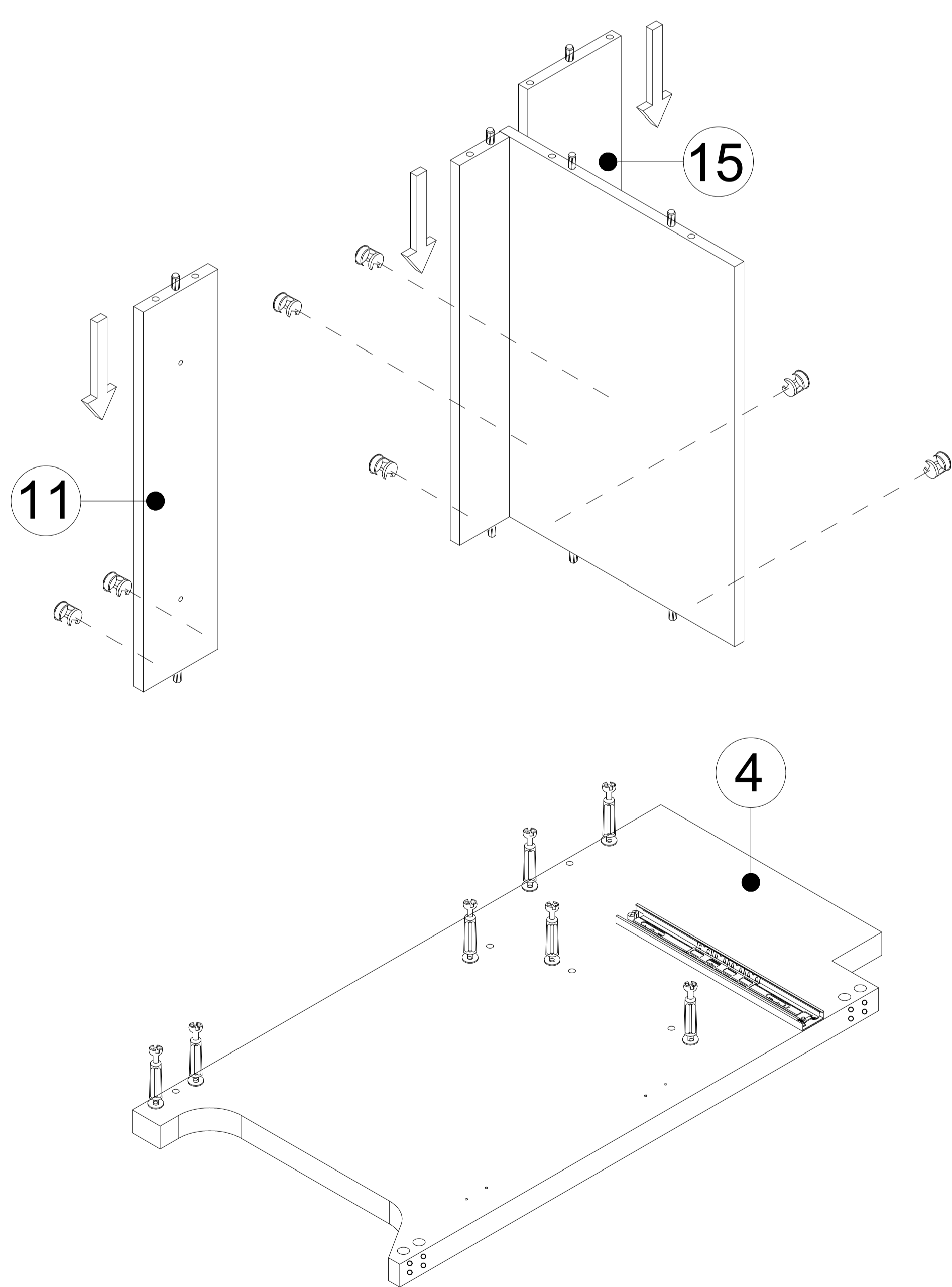


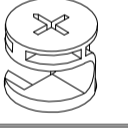
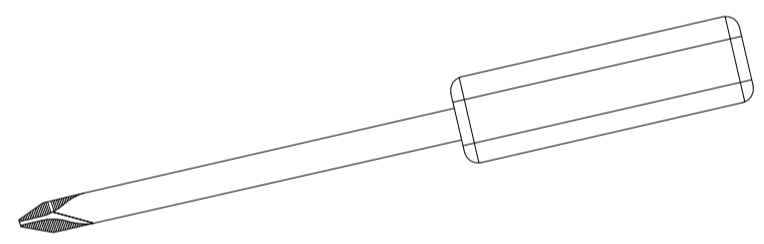
HARDWARE LIST		
A		11PCS
		

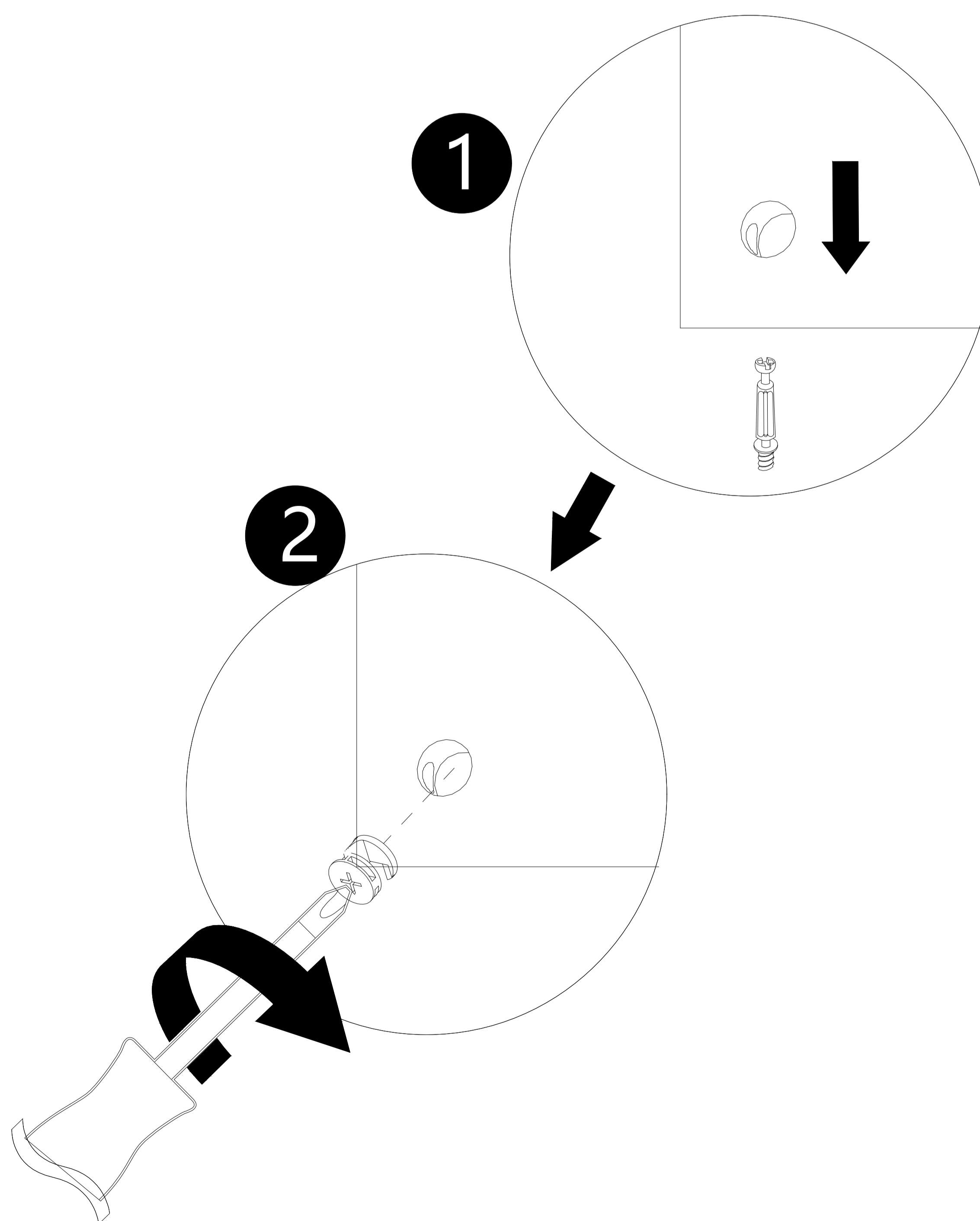


- Refer to the illustration, Install shelf #1 on the cabinet. Then tighten the cam lock with the cover.

STEP 7

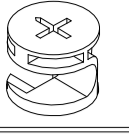
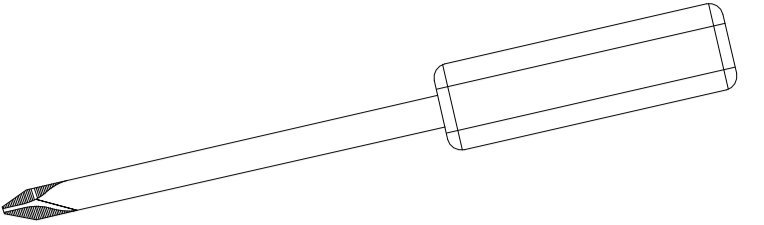


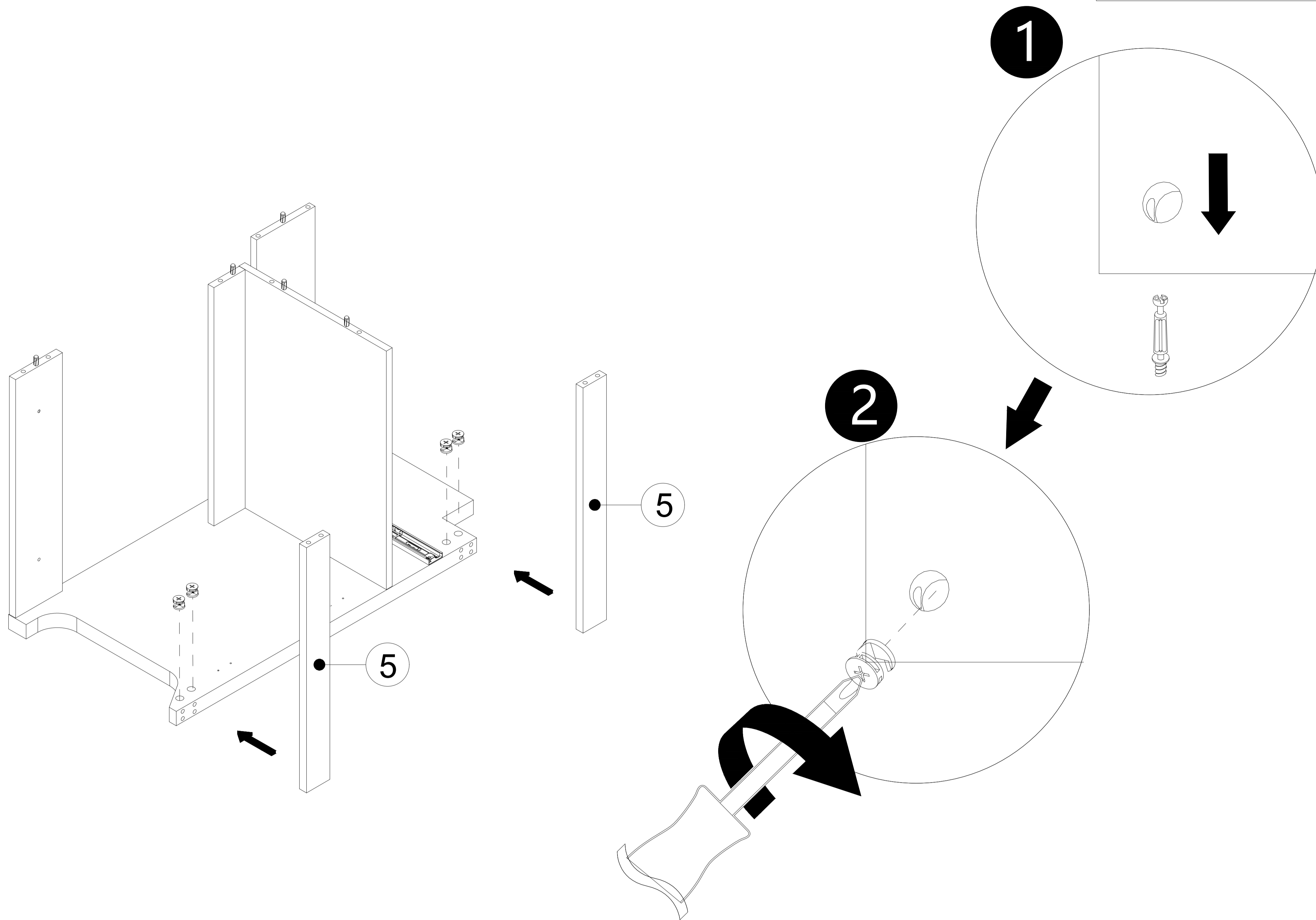
HARDWARE LIST		
A		7PCS
		



- Refer to the illustration, insert the shelves #11, #15 on the shelf #4. Then tighten the cam lock with the cover.


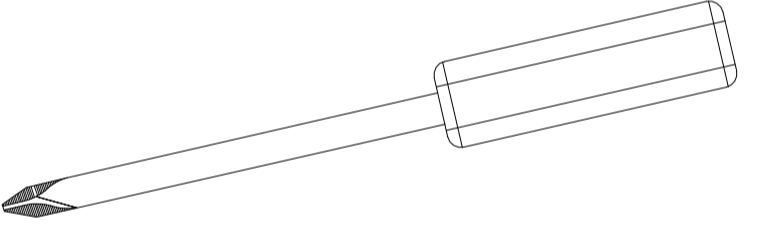
STEP 8

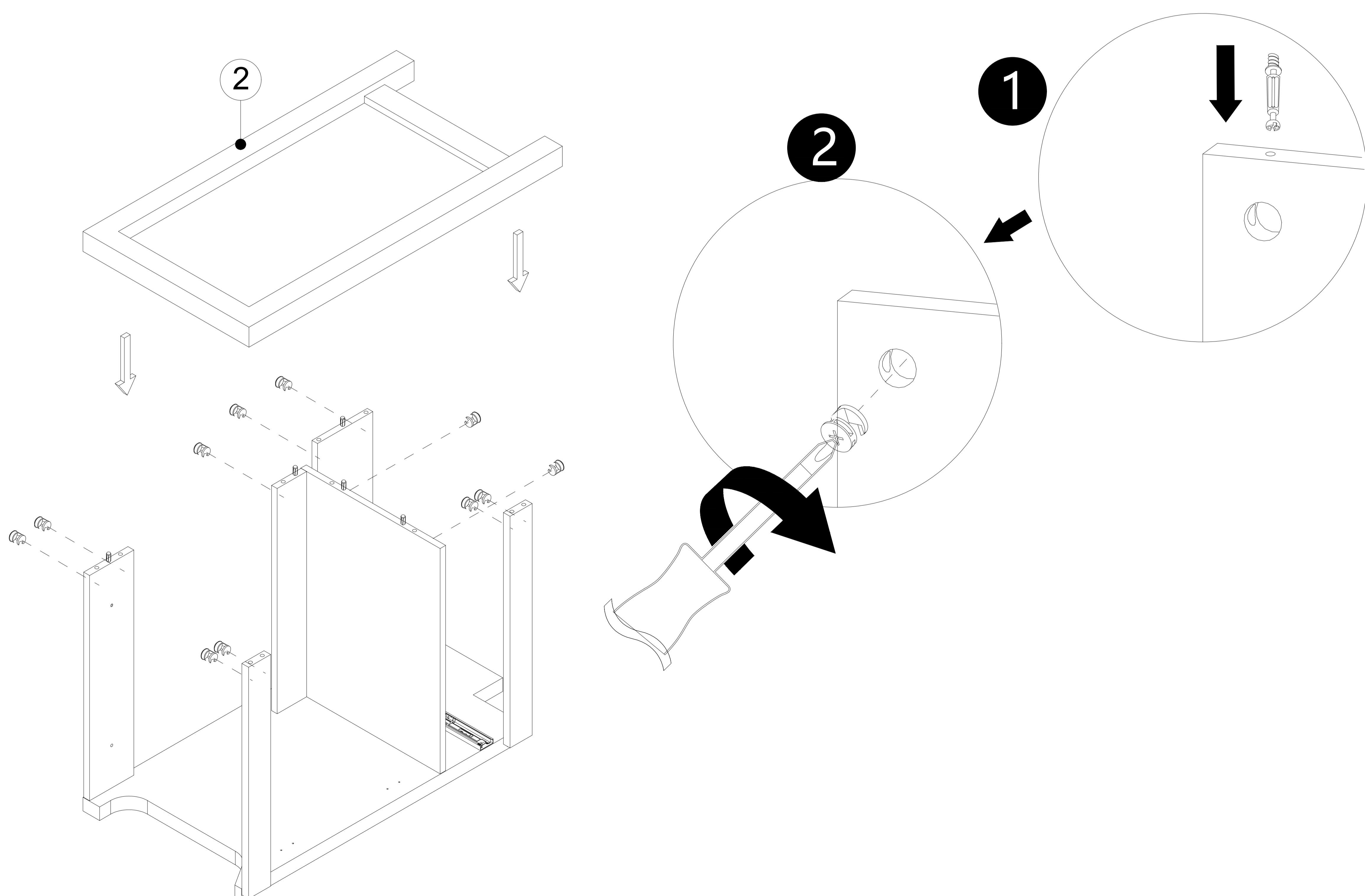
HARDWARE LIST		
A		4PCS
		



- Refer to the illustration, insert the #7 into the assembled shelf as well. Then tighten the cam lock with the cover.

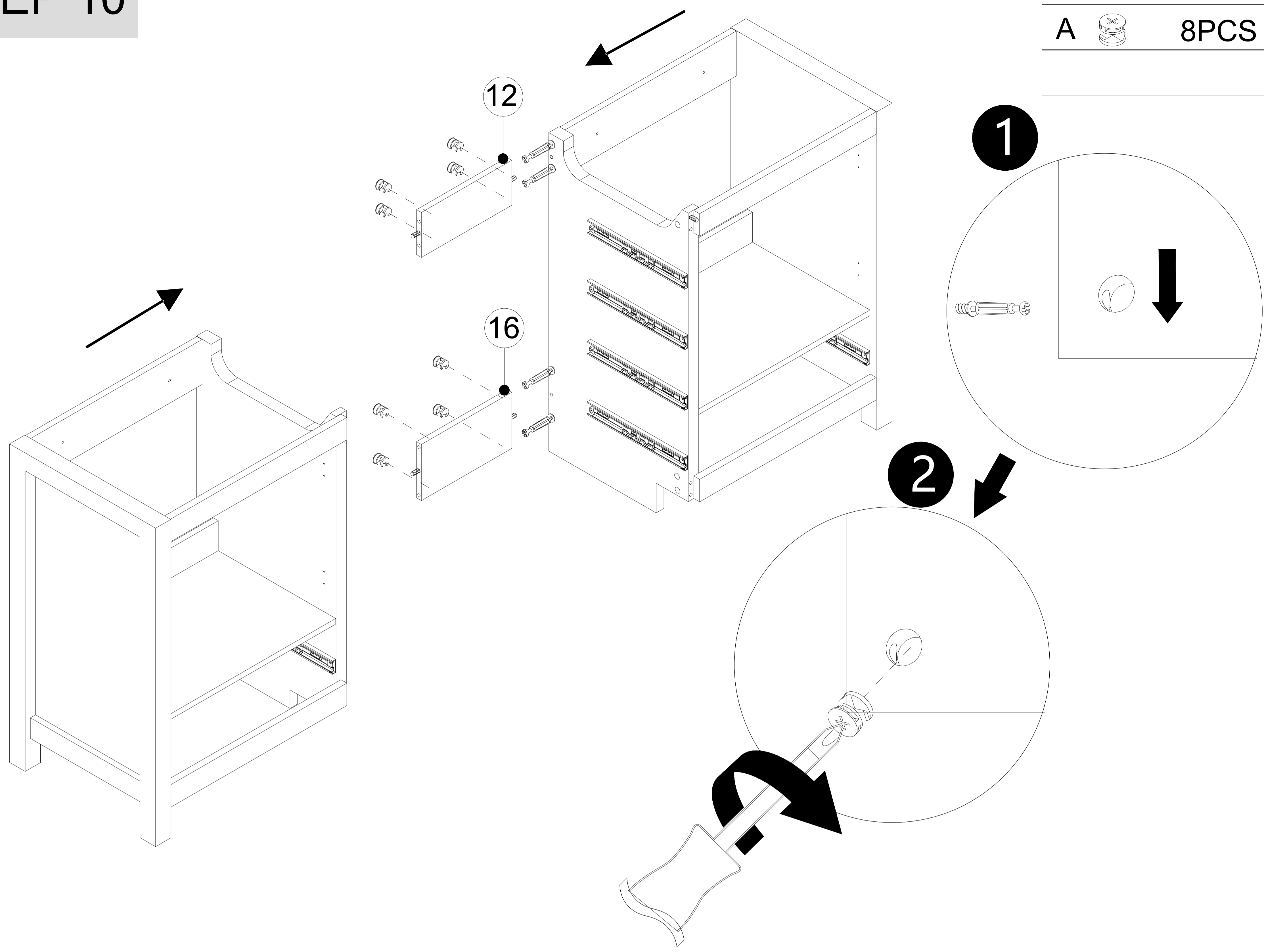
STEP 9

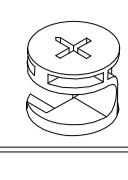
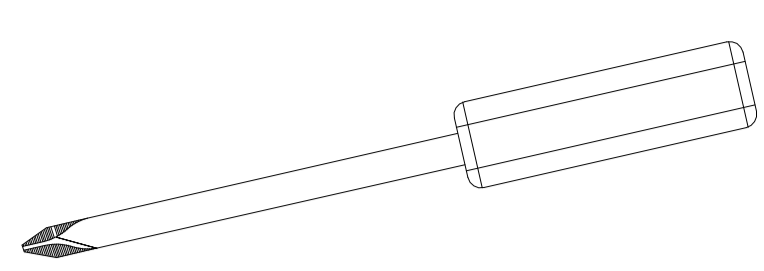
HARDWARE LIST		
A		11PCS
		



- Refer to the illustration, install shelf #2 on the cabinet. Then tighten the cam lock with the cover.

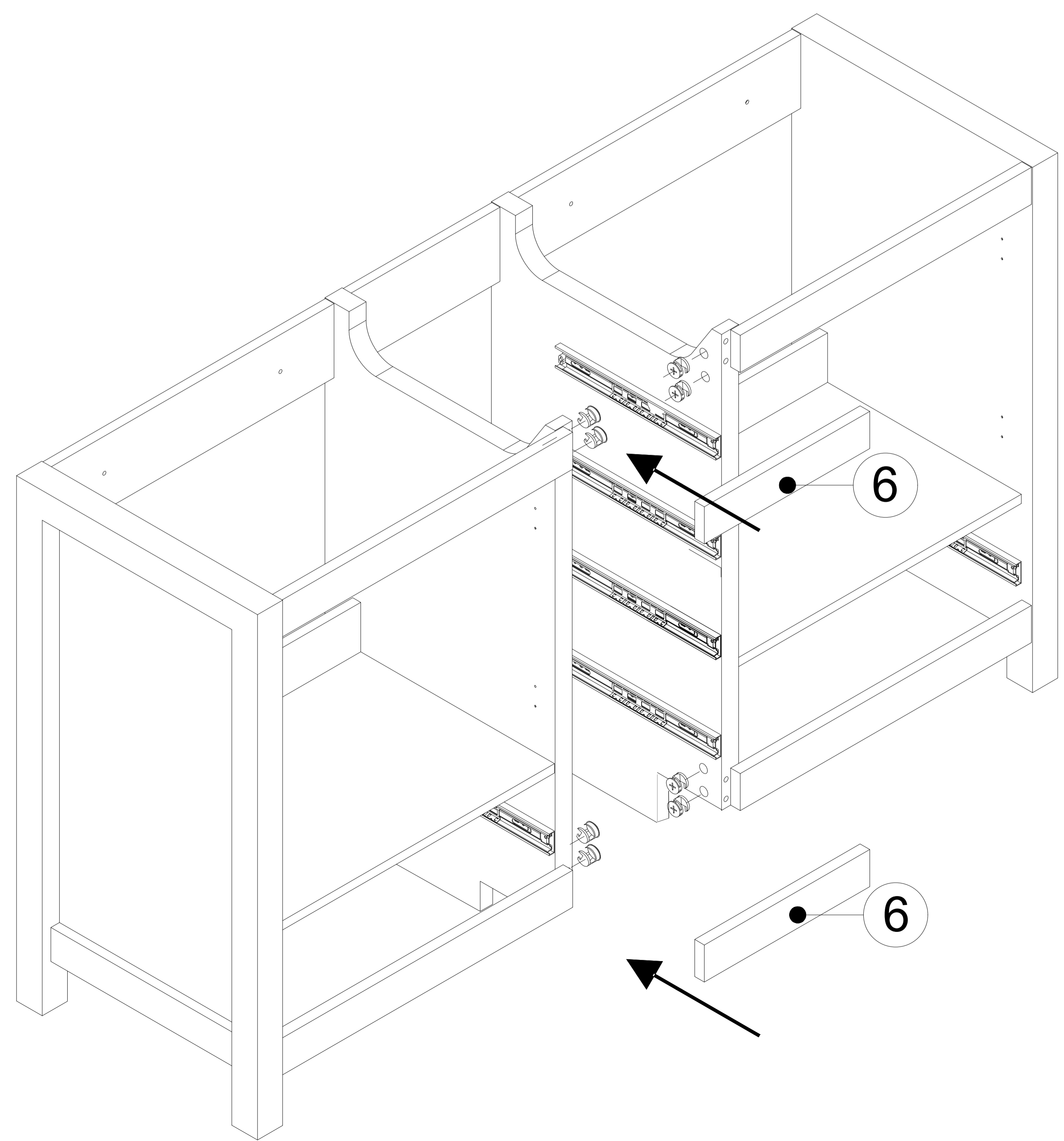
STEP 10


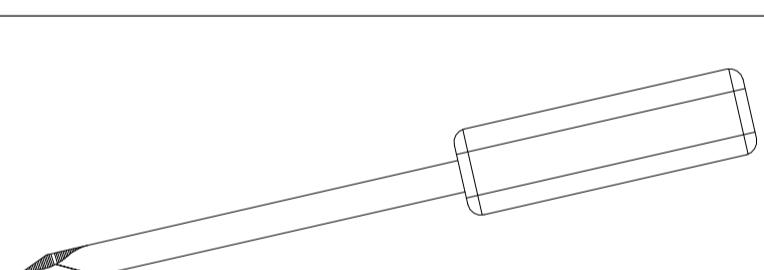


HARDWARE LIST		
A		8PCS
		

- Refer to the illustration, use the #12, #16, #8 to connect the already assembled shelves left and right. Then tighten the cam lock with the cover.

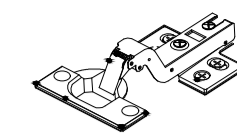
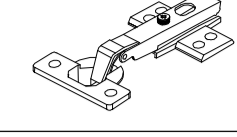
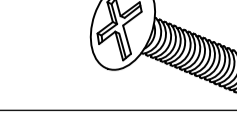
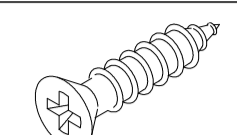
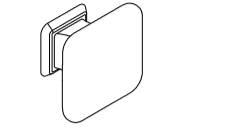
STEP 11

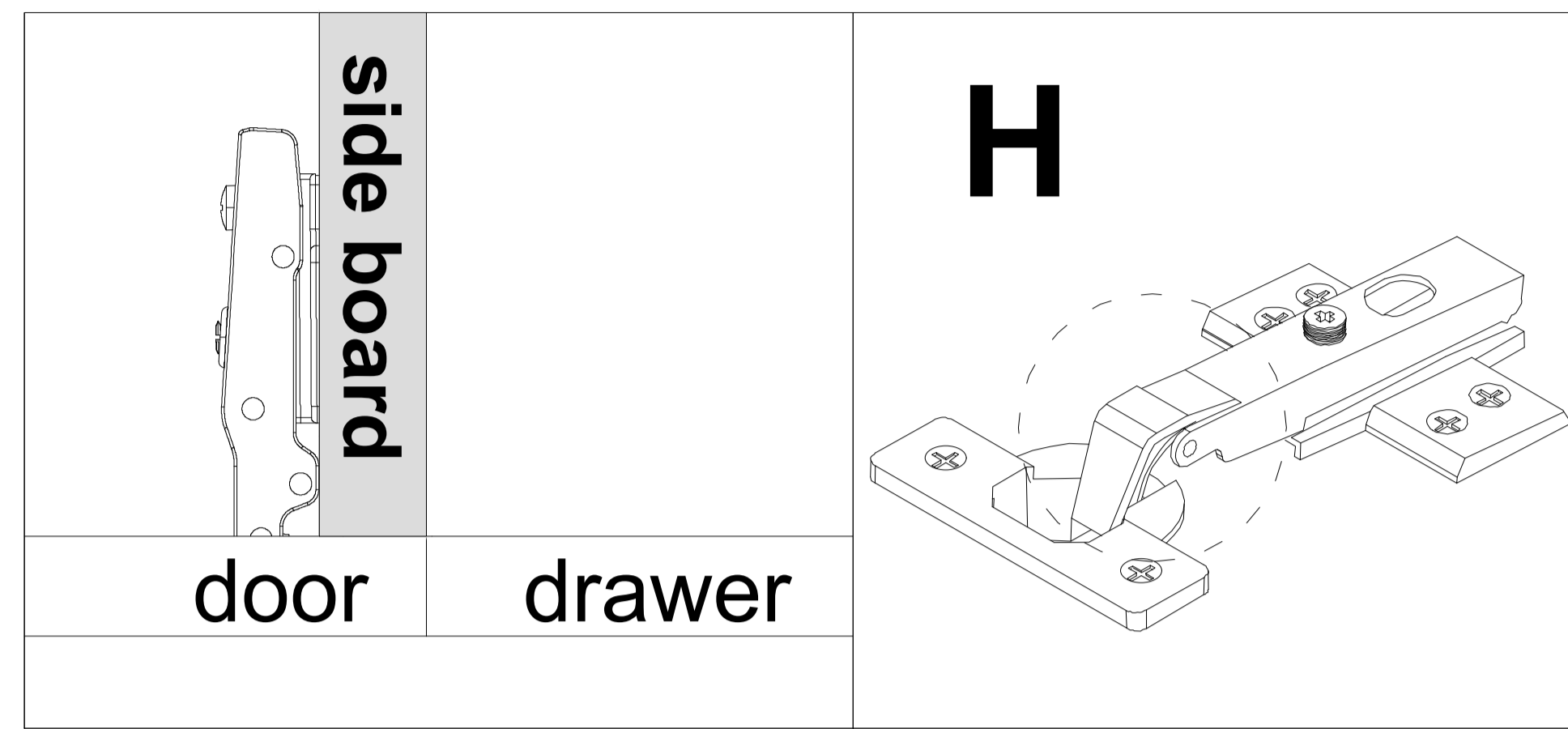
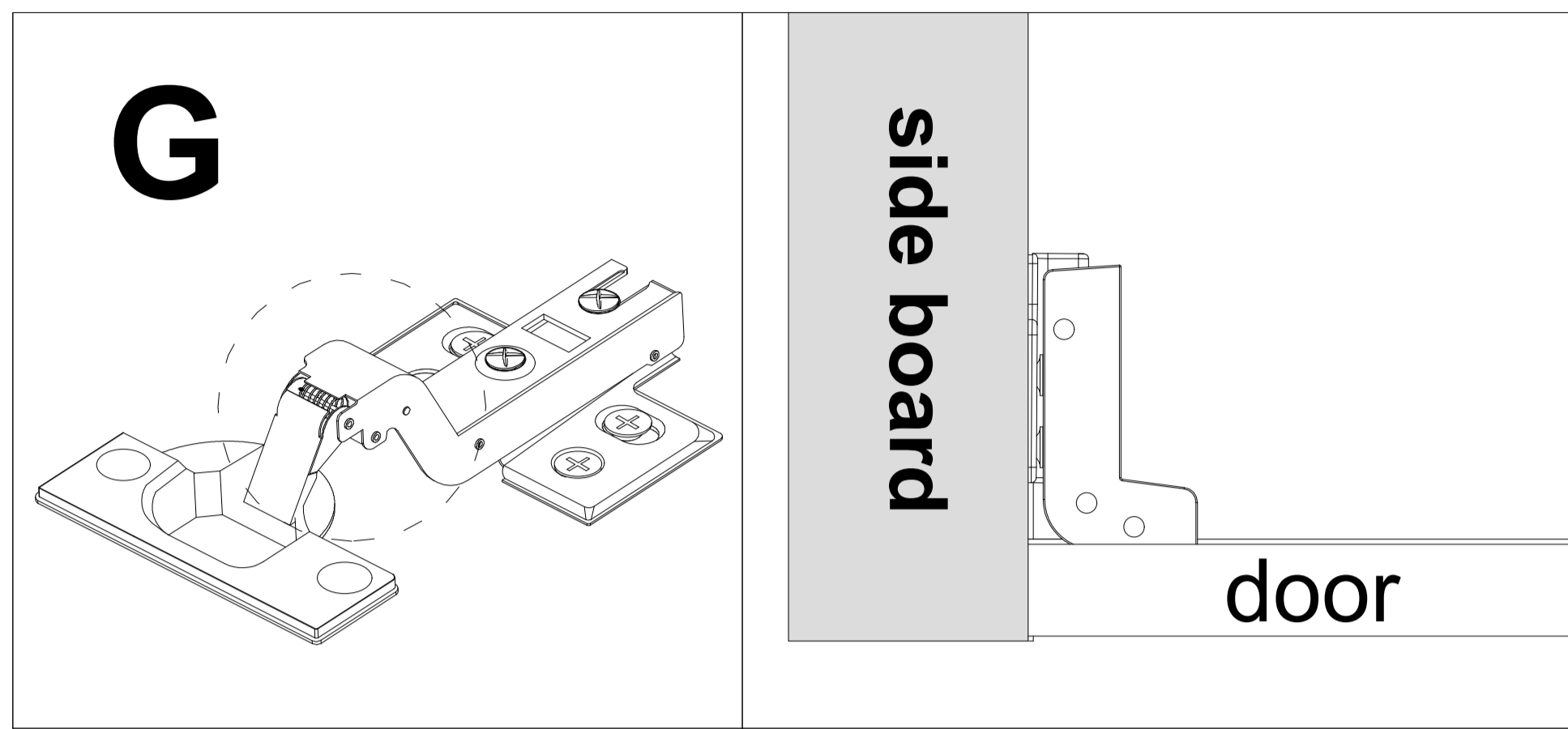
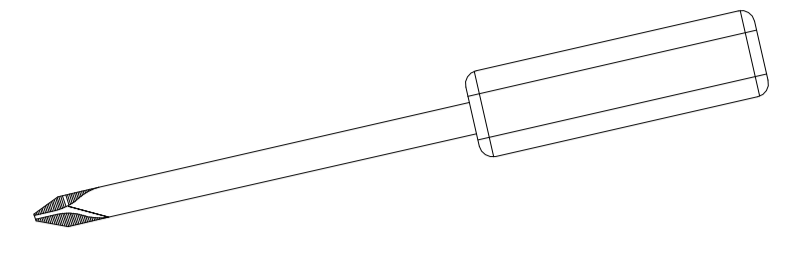


HARDWARE LIST		
A		8PCS
		

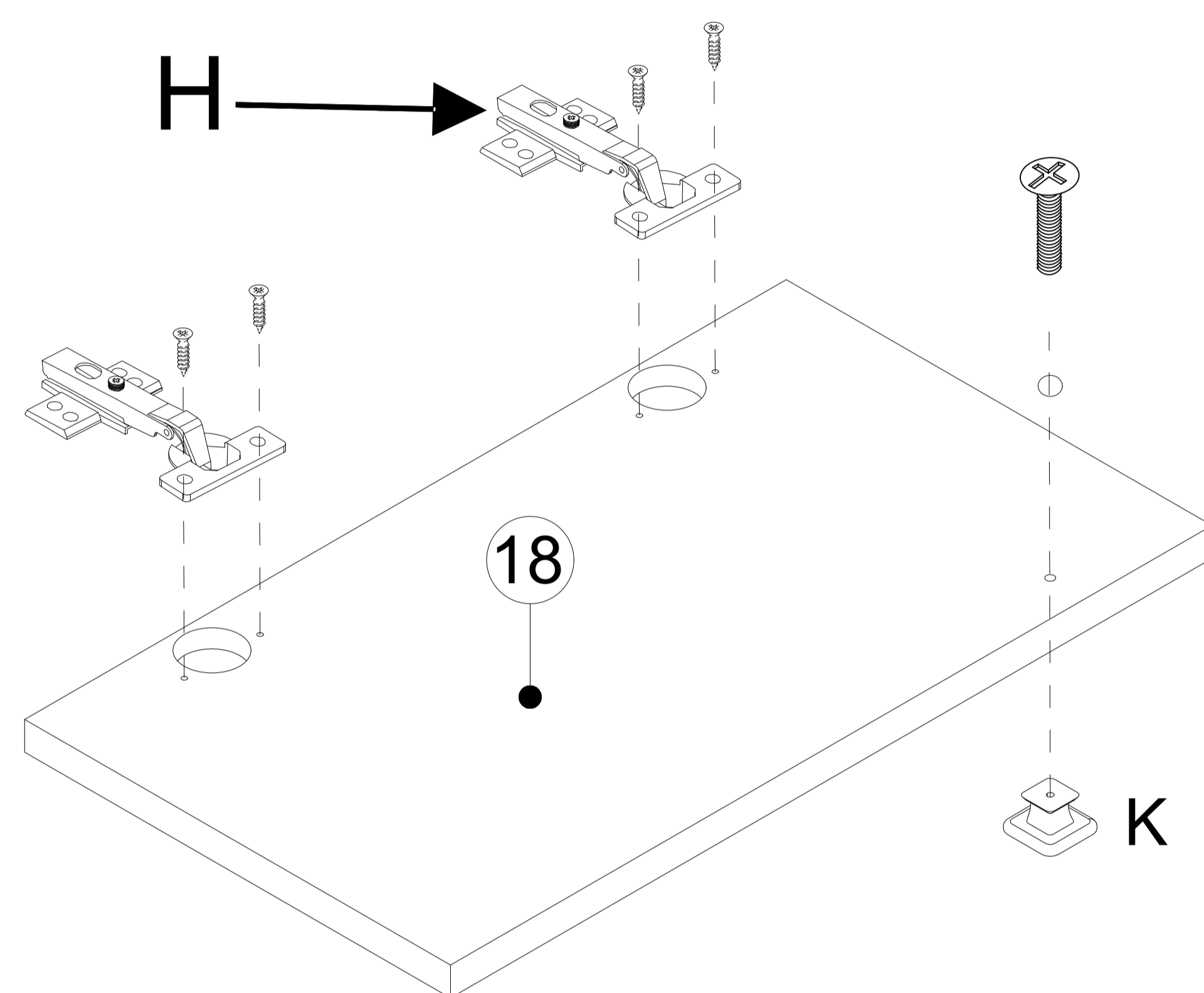
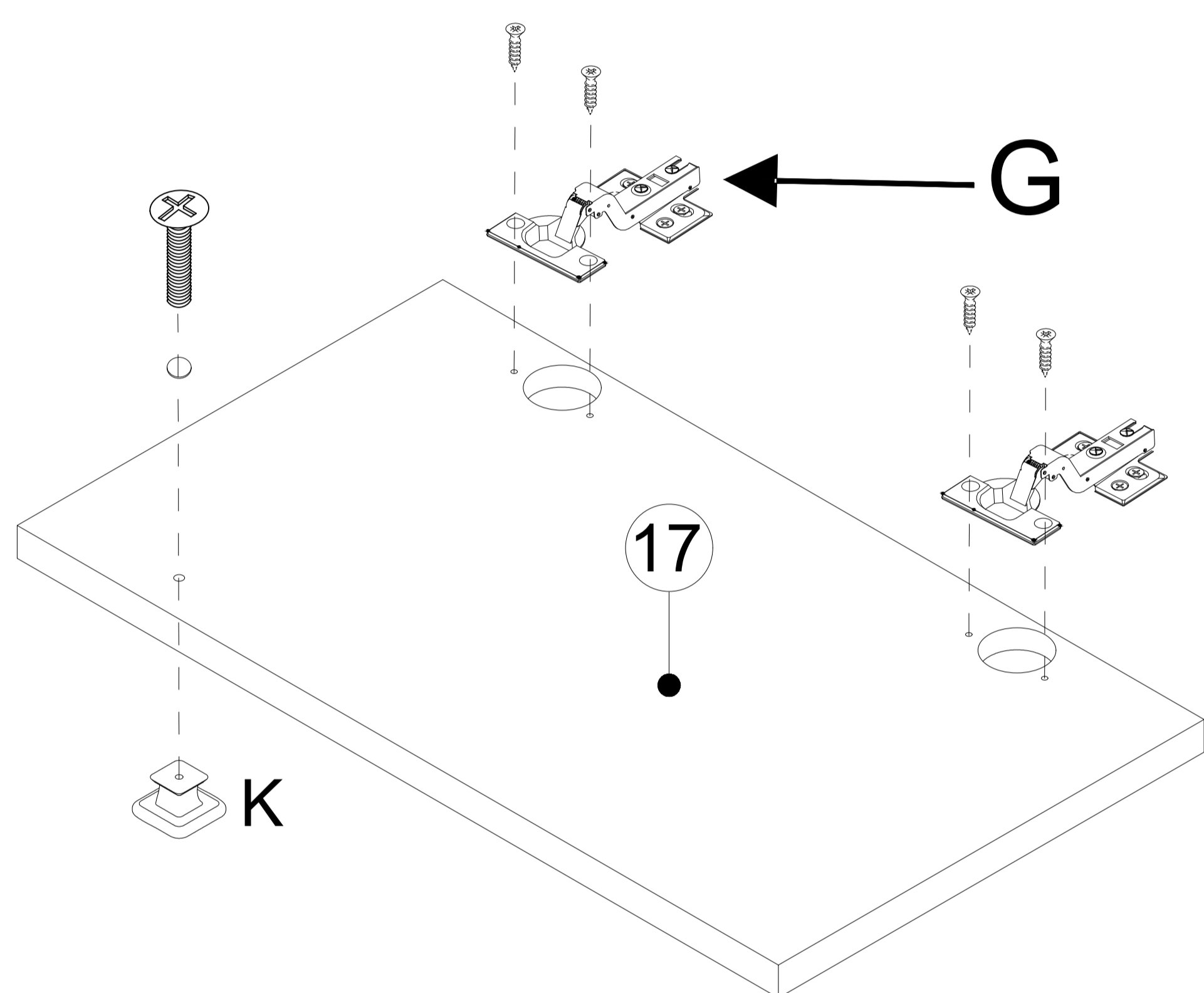
- Refer to the illustration, insert the #6 into the assembled shelf as well. Then tighten the cam lock with the cover.

STEP 12

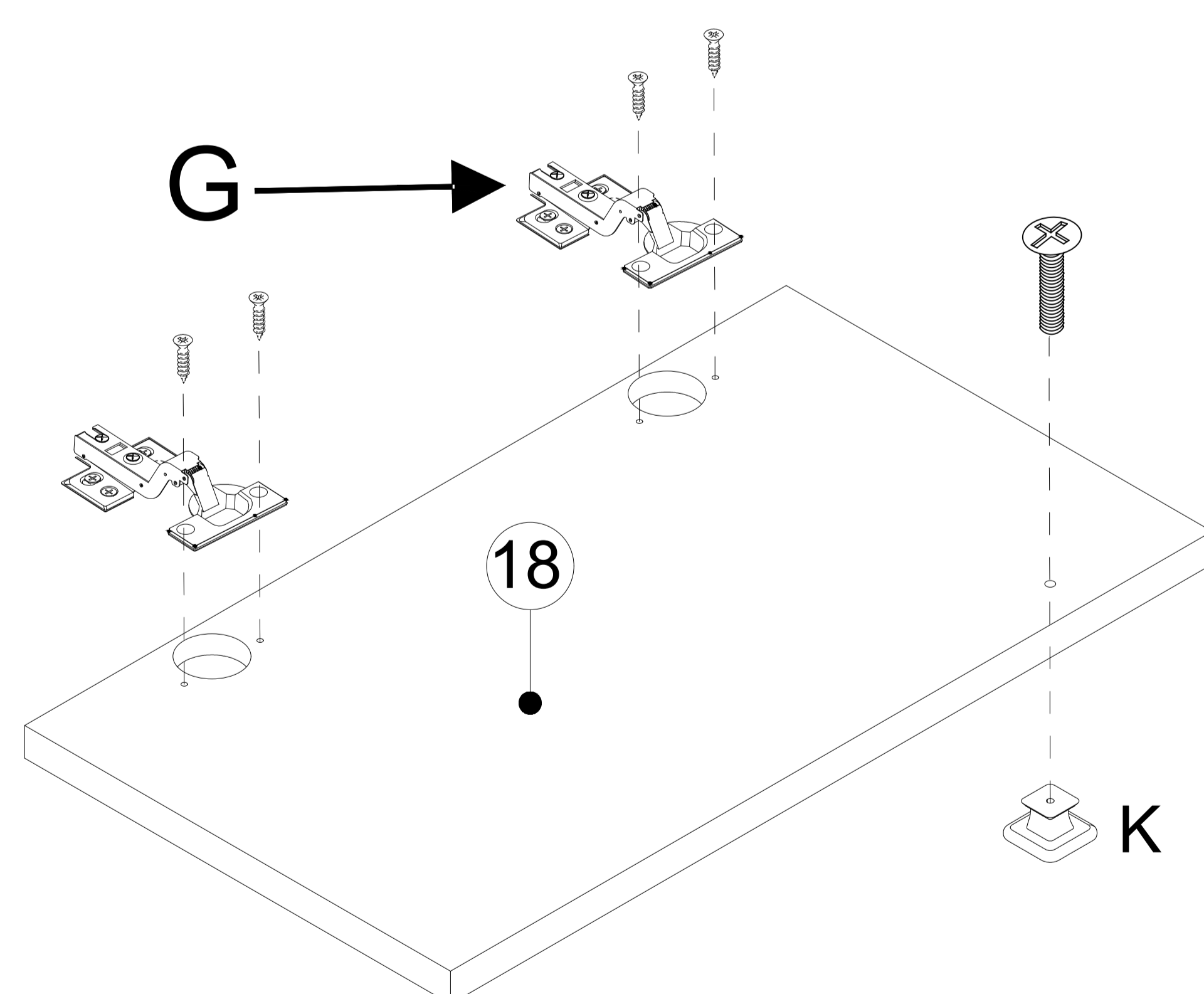
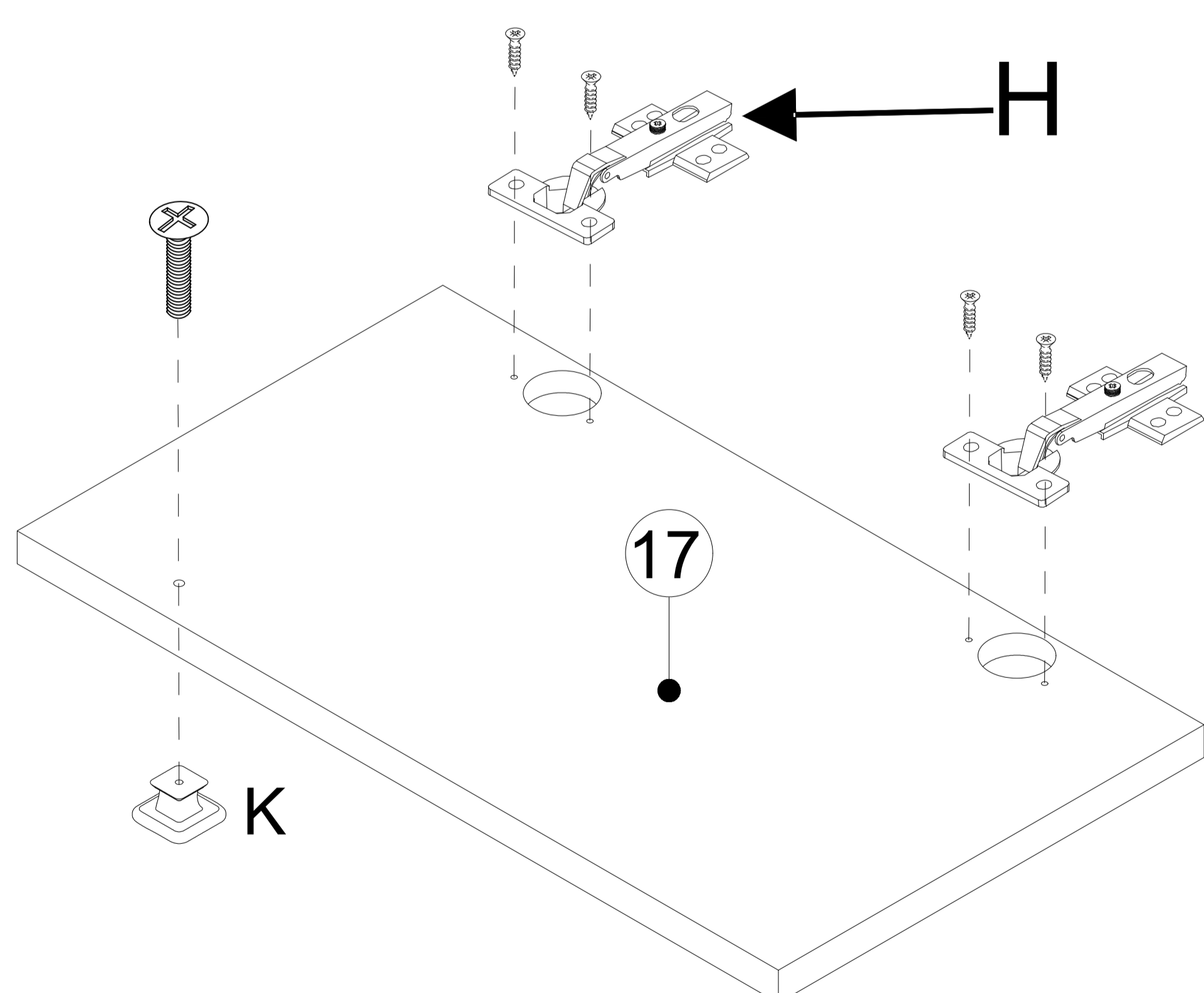
HARDWARE LIST		
G		4PCS
H		4PCS
J		4PCS
C		48PCS
K		4PCS



Left



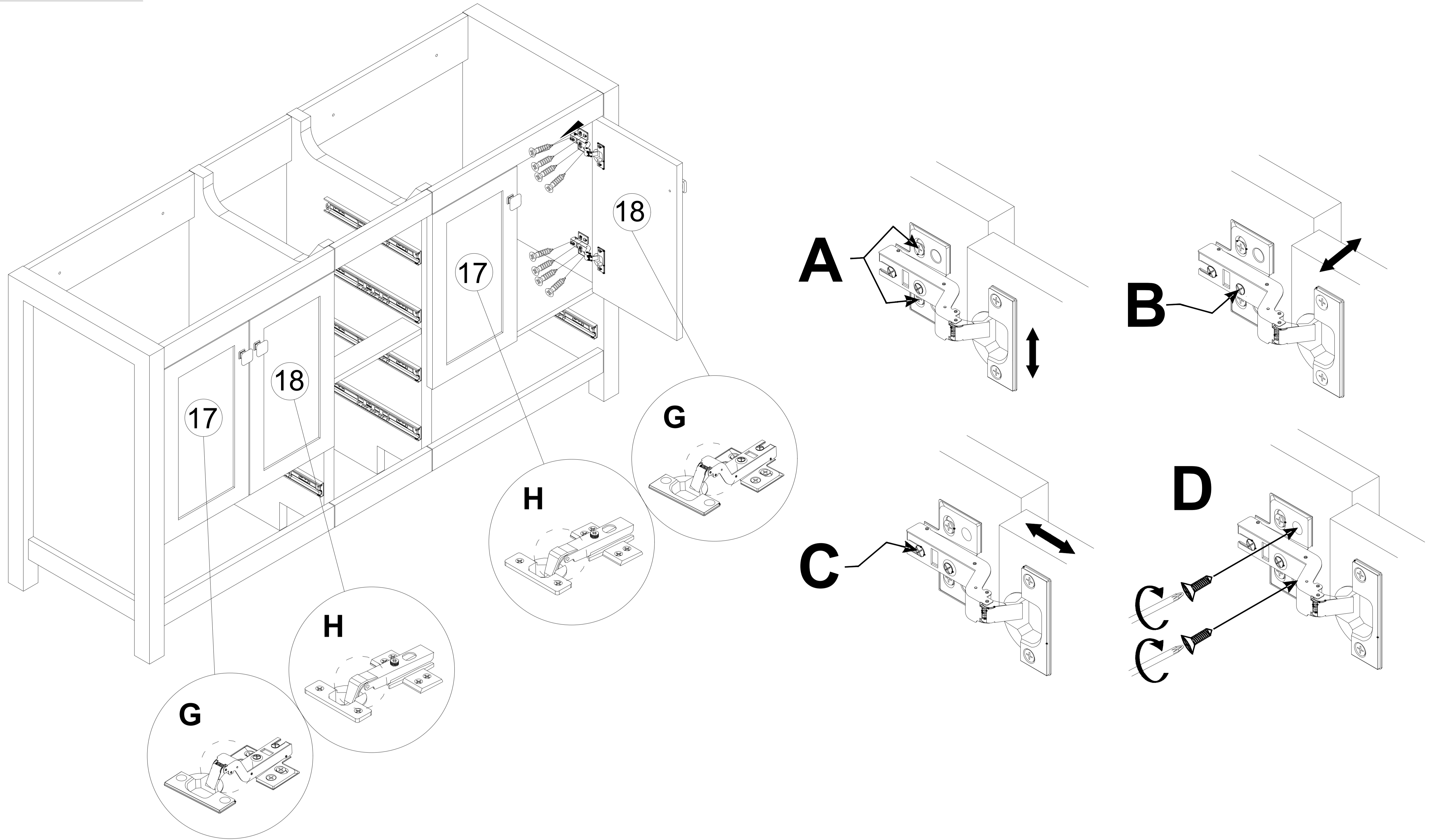
Right



Note: see step 13 to adjust the door's position.

- Use Screws to install the handle and apply Screws to fix the hinge on the shelf #17. Then use Screws to connect the hinge bracket to the cabinet. Repeat these steps for the other door.

STEP 13



A.Height adjustment

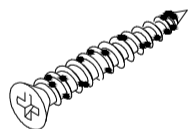
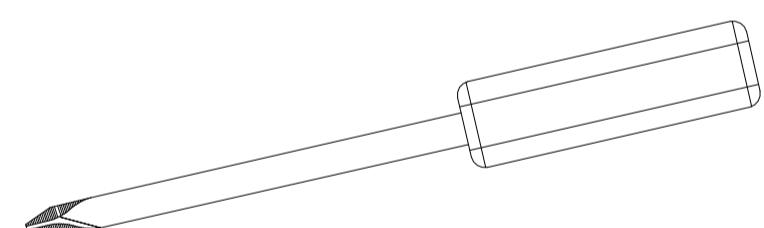
B.Side to side adjustment

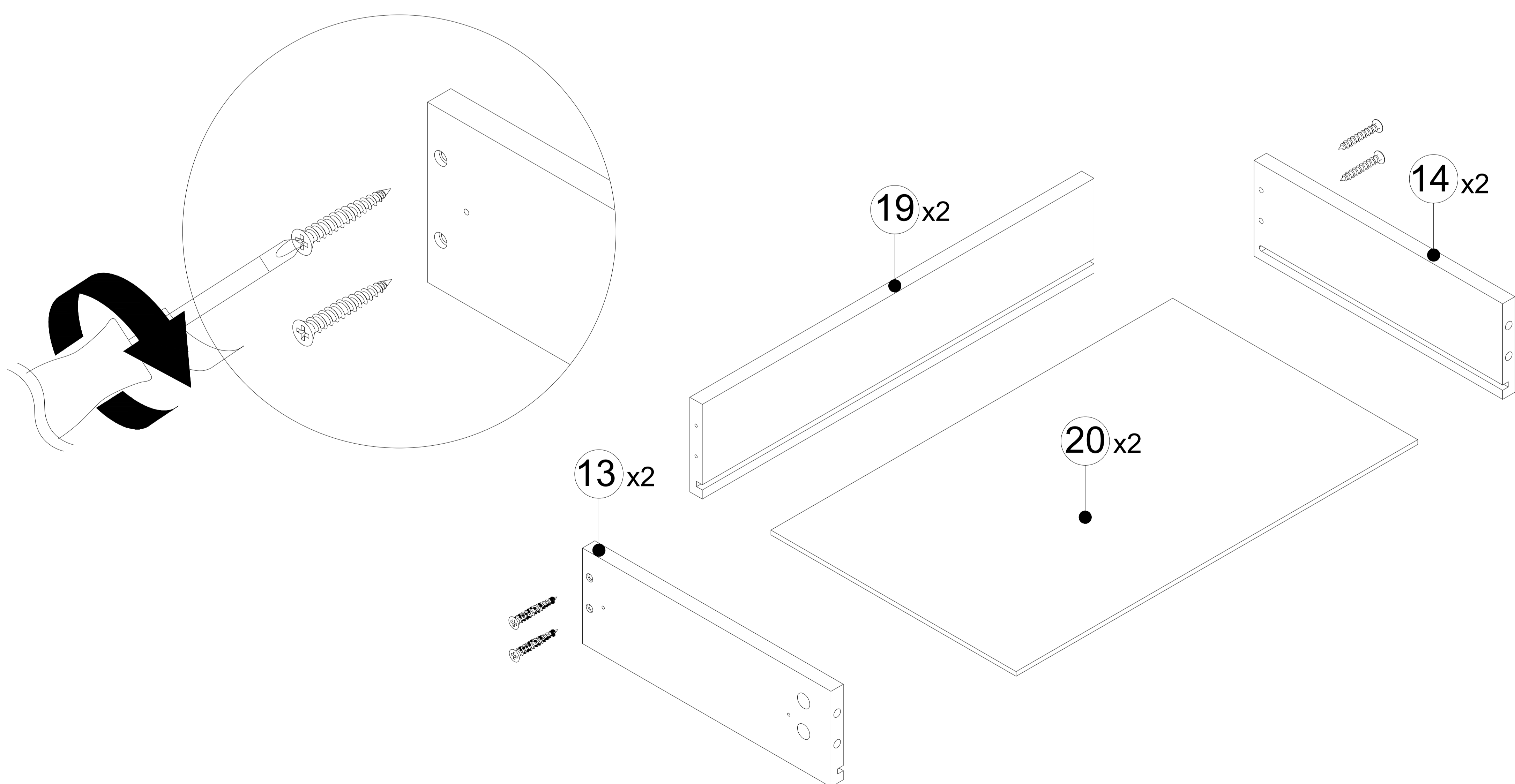
C.Depth adjustment

D.After adjustment A/B/C,tighten screws.

- To ensure proper cabinet alignment, refer to the above illustrations for instructions about adjusting the cabinet height,depth and lateral movement.

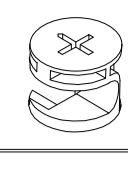
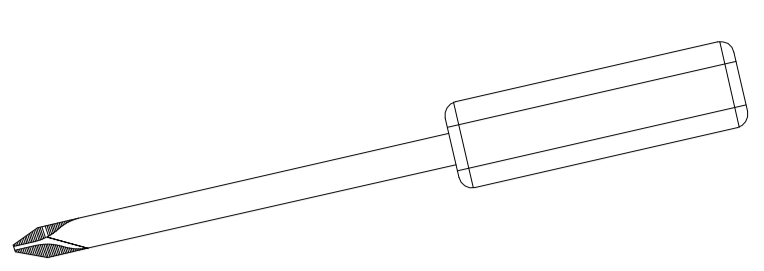
STEP 14

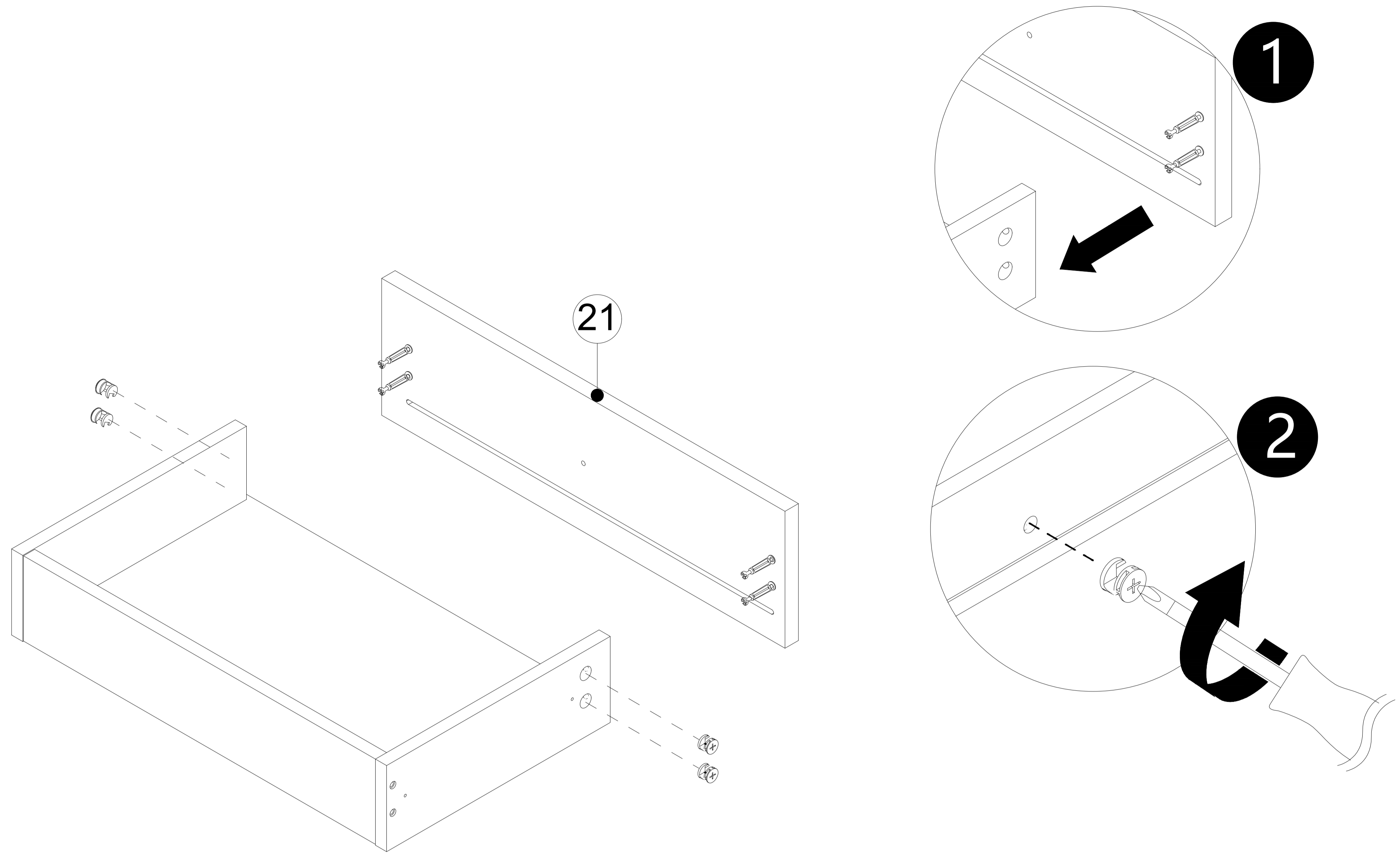
HARDWARE LIST	
F 	8PCS
	



- Refer to the illustration,Connect the side plate #13, #14 with the plate #19 #20 with screws.

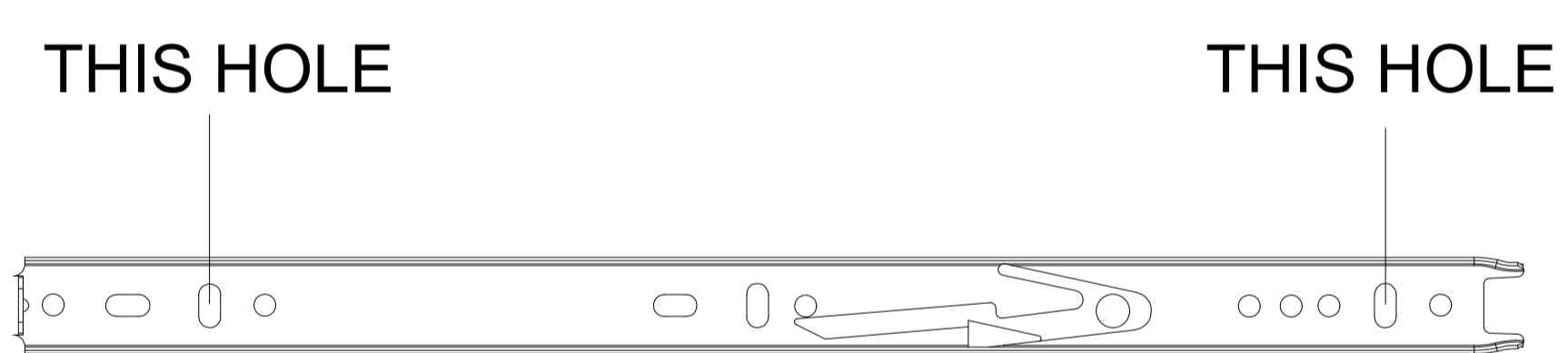
STEP 15

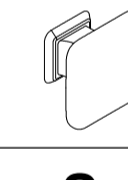
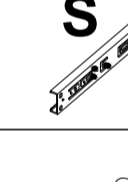
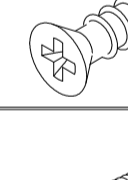
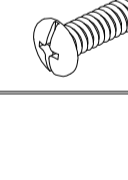
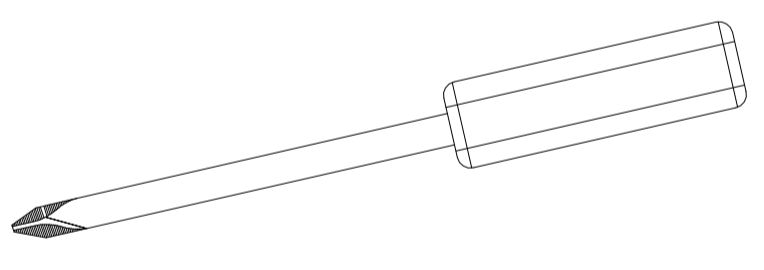
HARDWARE LIST		
A		4PCS
		

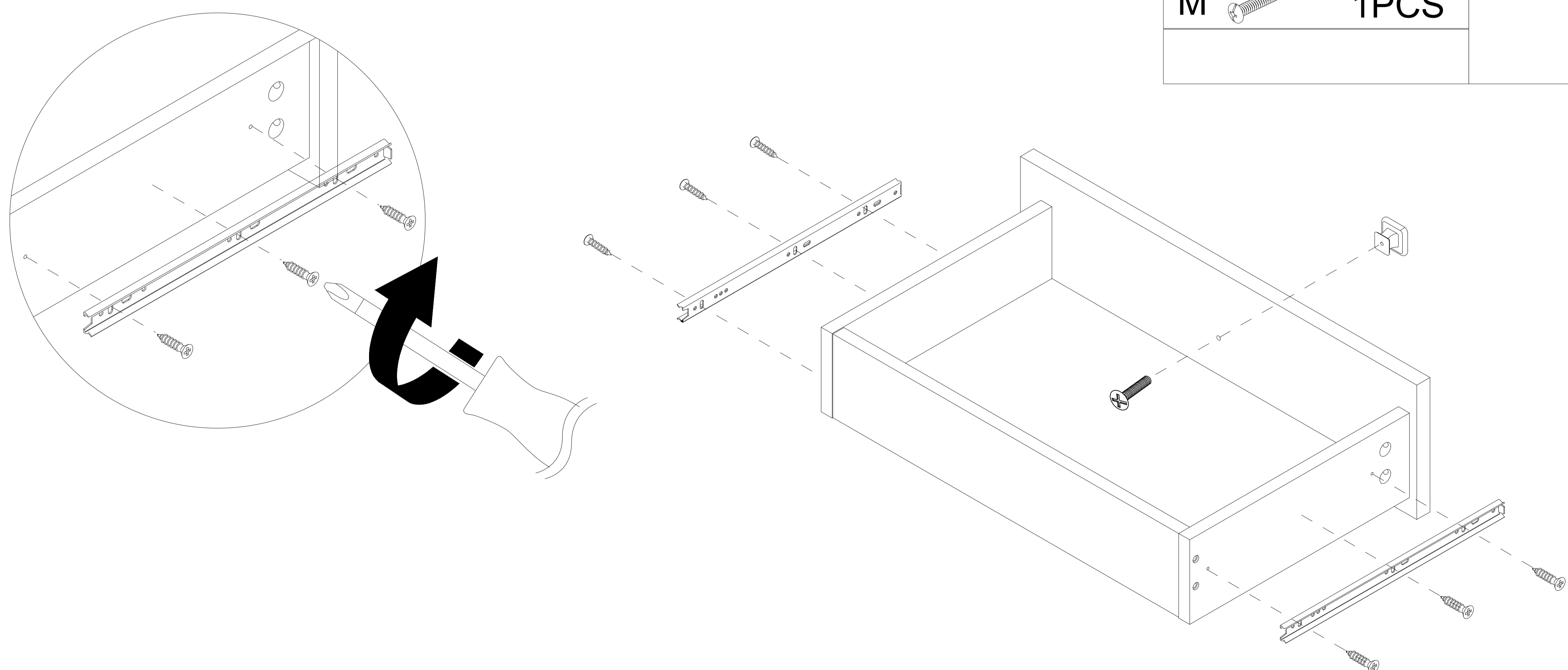


- Refer to the illustration, Draw the panel #21 is inserted into the prepared plate, Then tighten the cam lock with the cover.

STEP 16

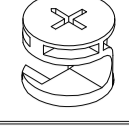
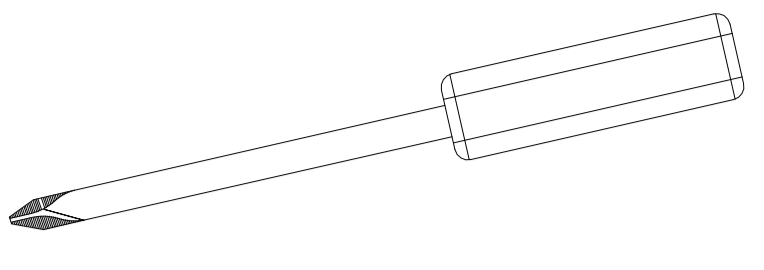


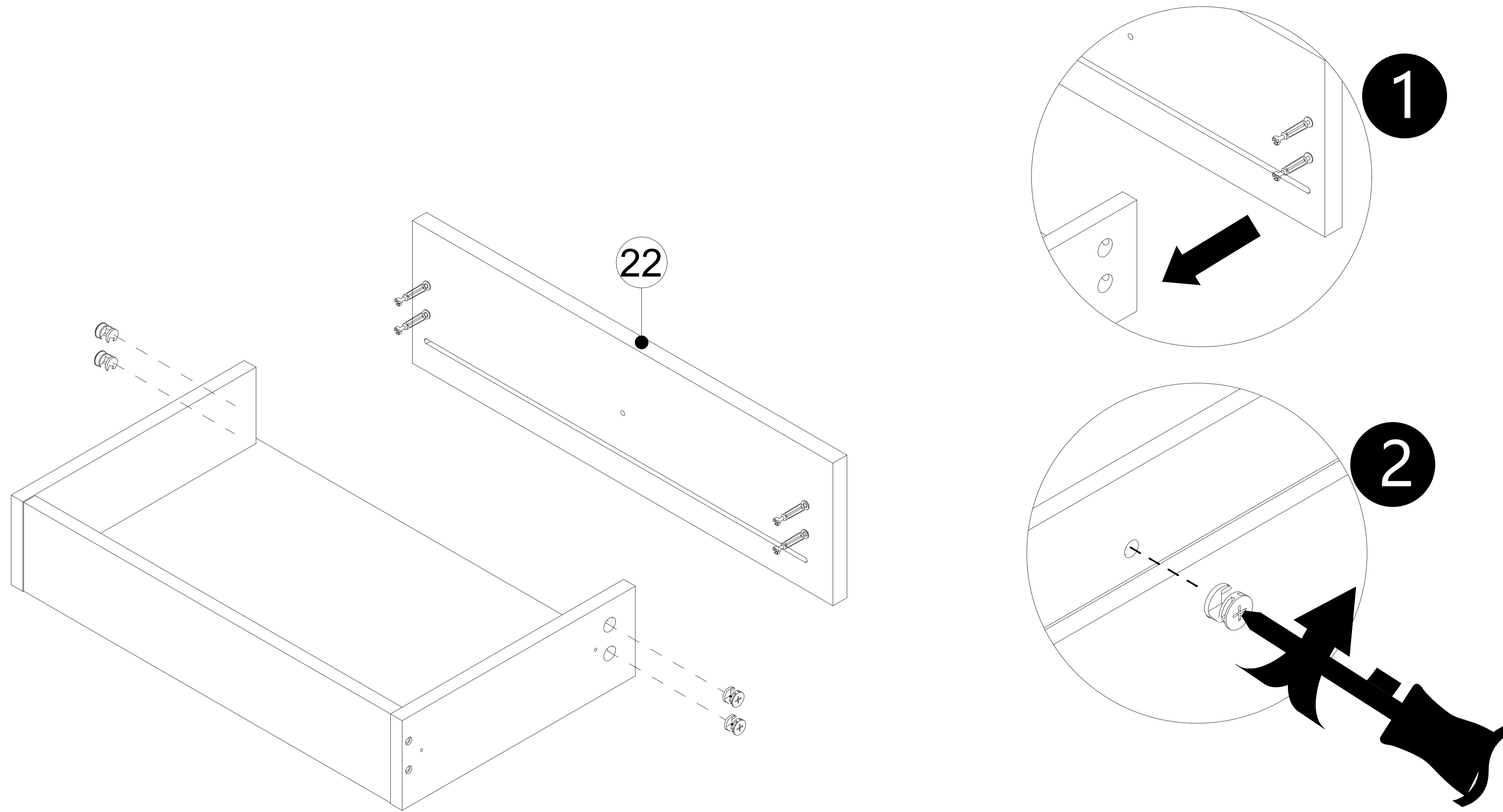
HARDWARE LIST		
K		1PCS
D		2PCS
C		6PCS
M		1PCS
		



- Refer to the illustration, Apply screws to fix the slides on the boards #13,#14. Use screws to install the handle.

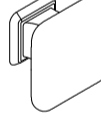


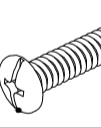
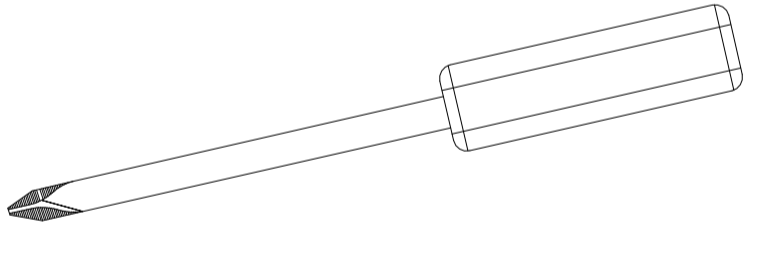
STEP 17

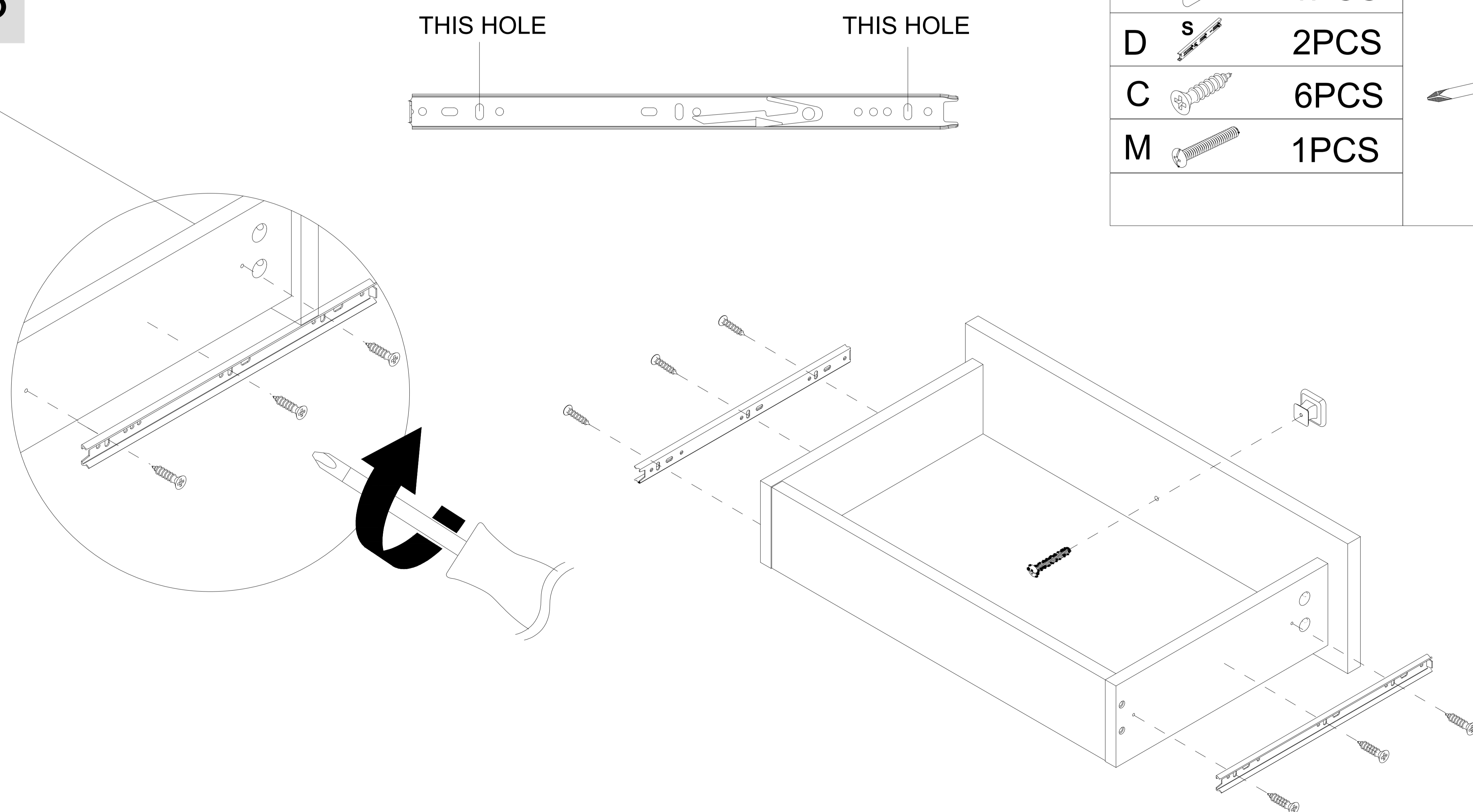
HARDWARE LIST		
A		4PCS
		



- Refer to the illustration, Draw the panel #22 is inserted into the prepared plate, Then tighten the cam lock with the cover.

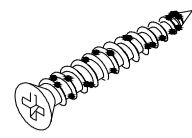
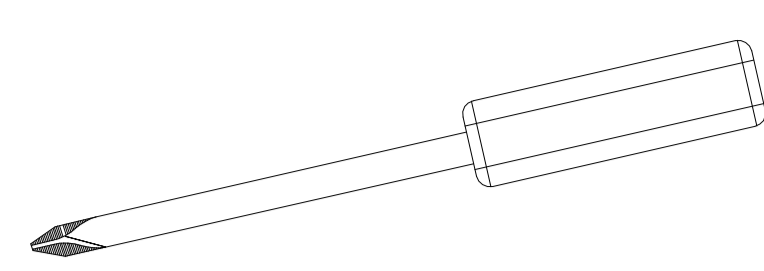
STEP 18

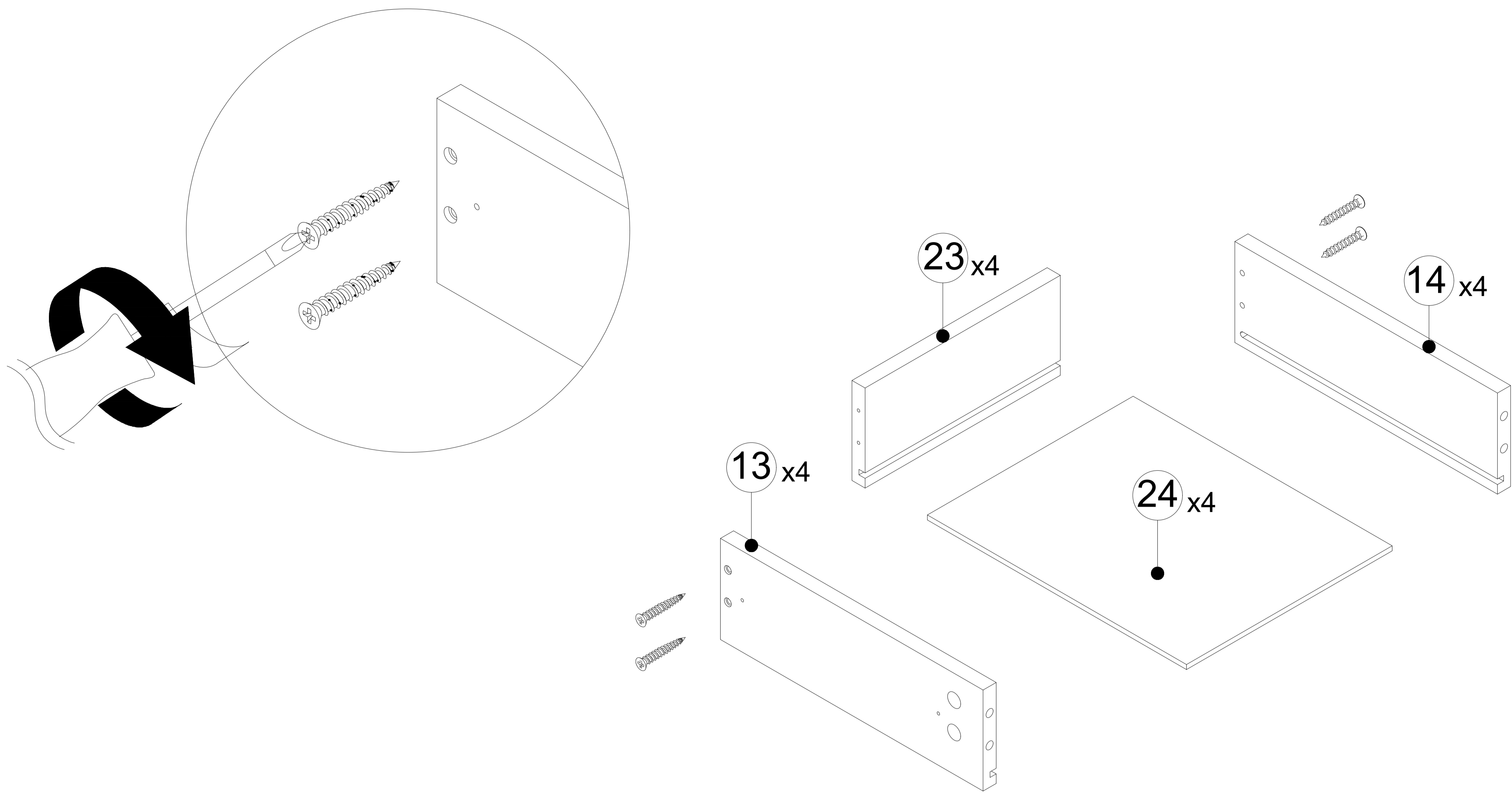
HARDWARE LIST		
K		1PCS
D		2PCS
C		6PCS
M		1PCS
		



- Refer to the illustration, Apply screws to fix the slides on the boards #13,#14. Use screws to install the handle.


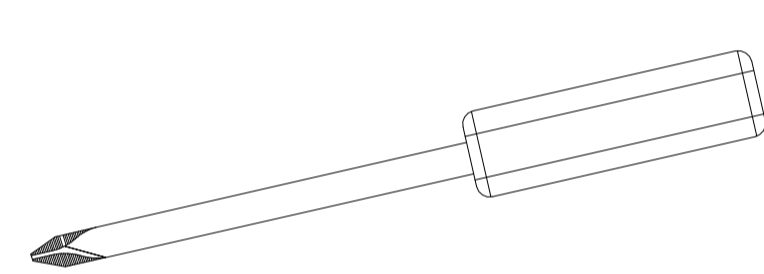
STEP 19

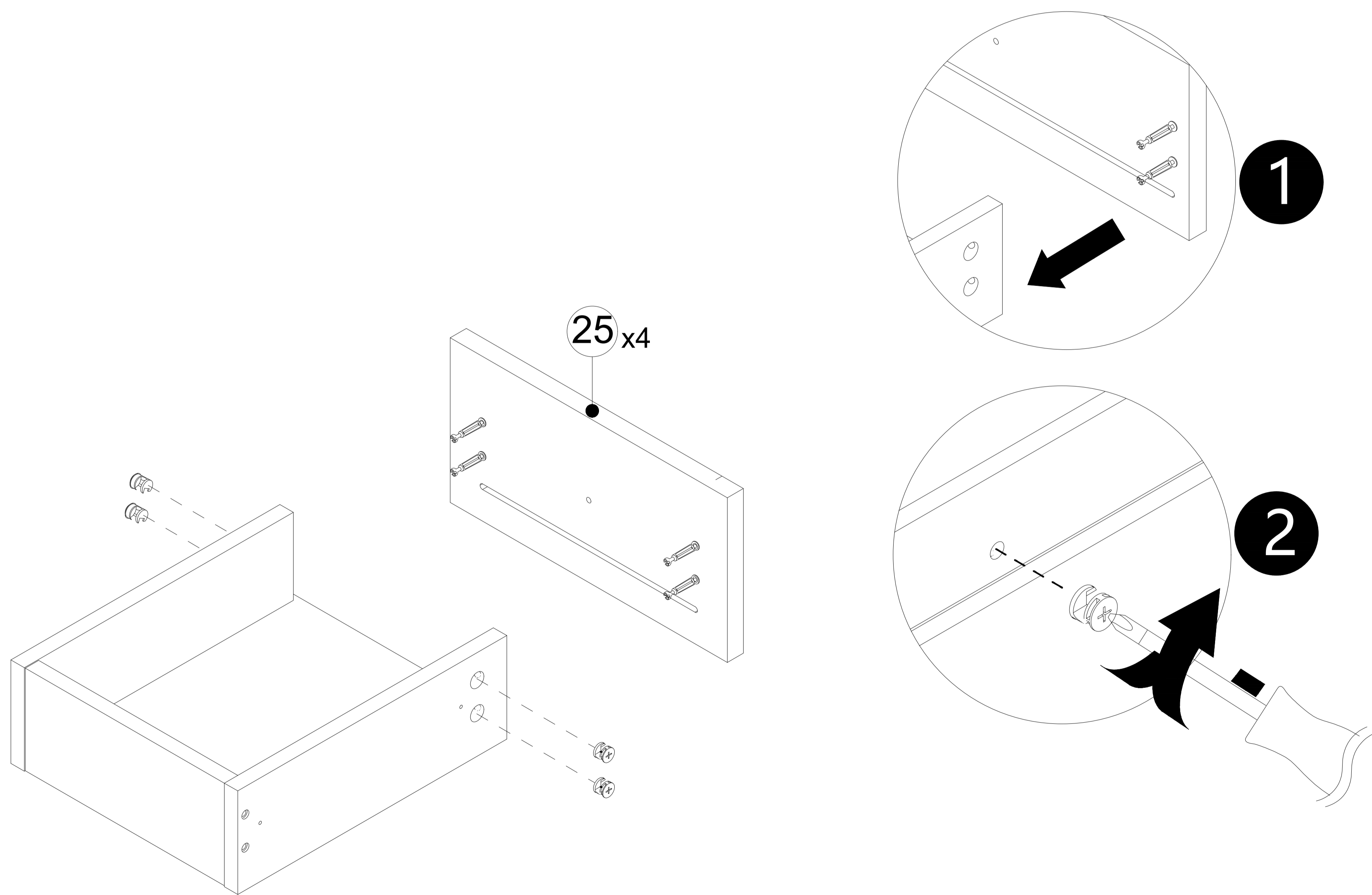
HARDWARE LIST		
F	 16PCS	



- Refer to the illustration, Connect the side plate #13, #14 with the plate #23 #24 with screws.

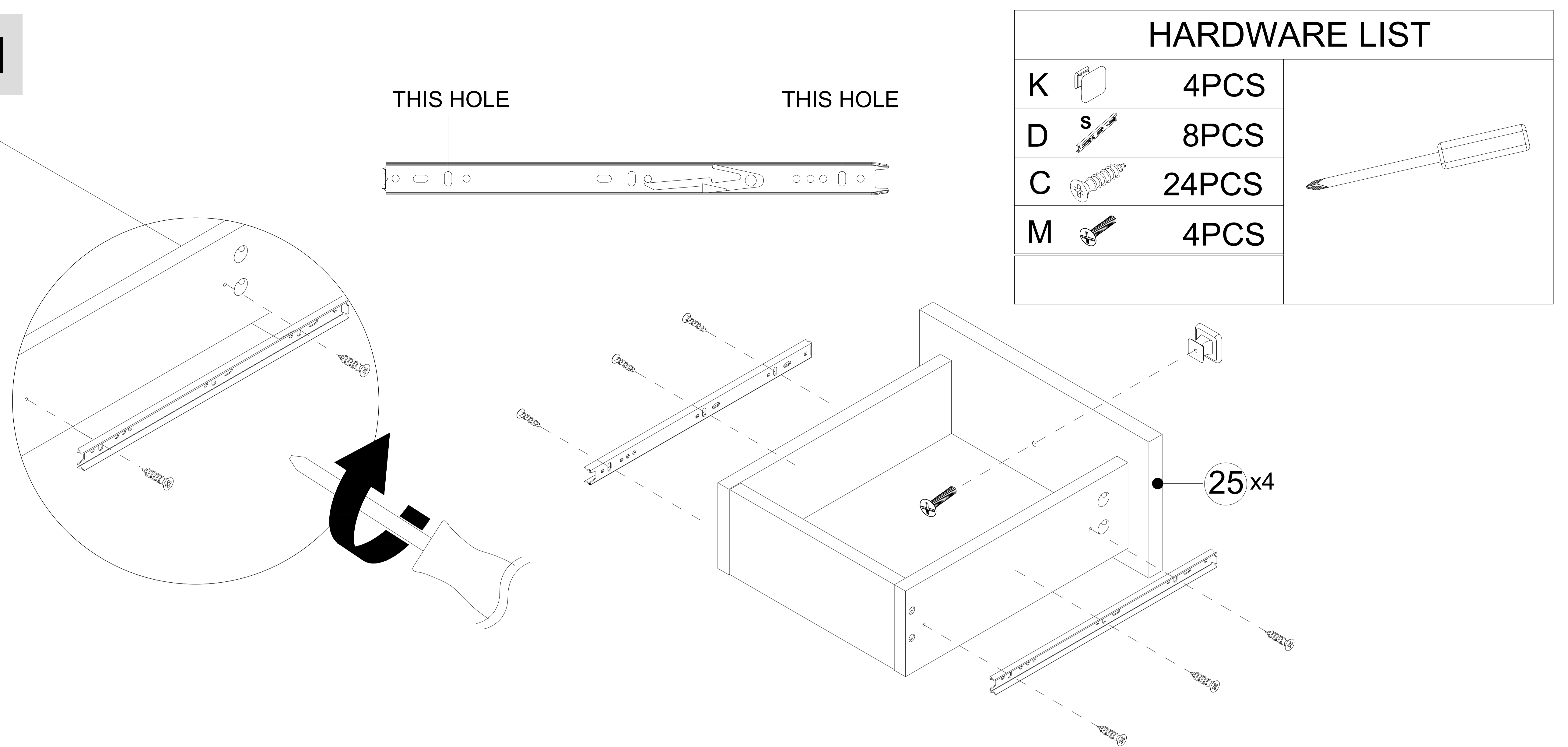
STEP 20

HARDWARE LIST		
A	 16PCS	



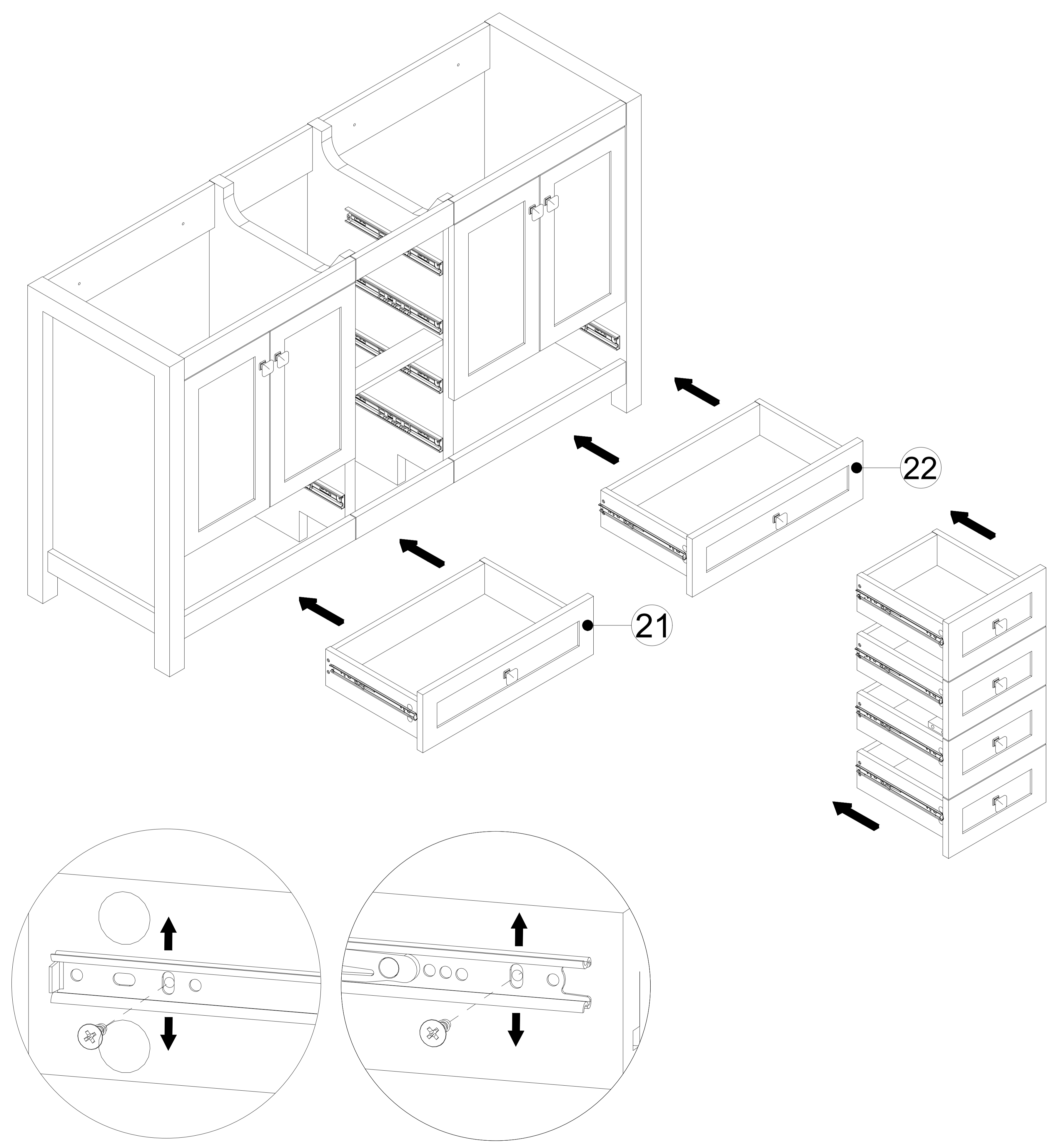
- Refer to the illustration, Draw the panel #25 is inserted into the prepared plate, Then tighten the cam lock with the cover.

STEP 21



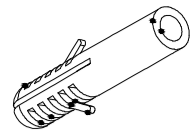
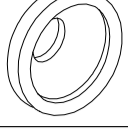
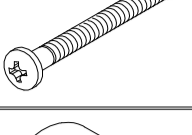

- Refer to the illustration, Apply screws to fix the slides on the boards #13,#14. Use screws to install the handle.

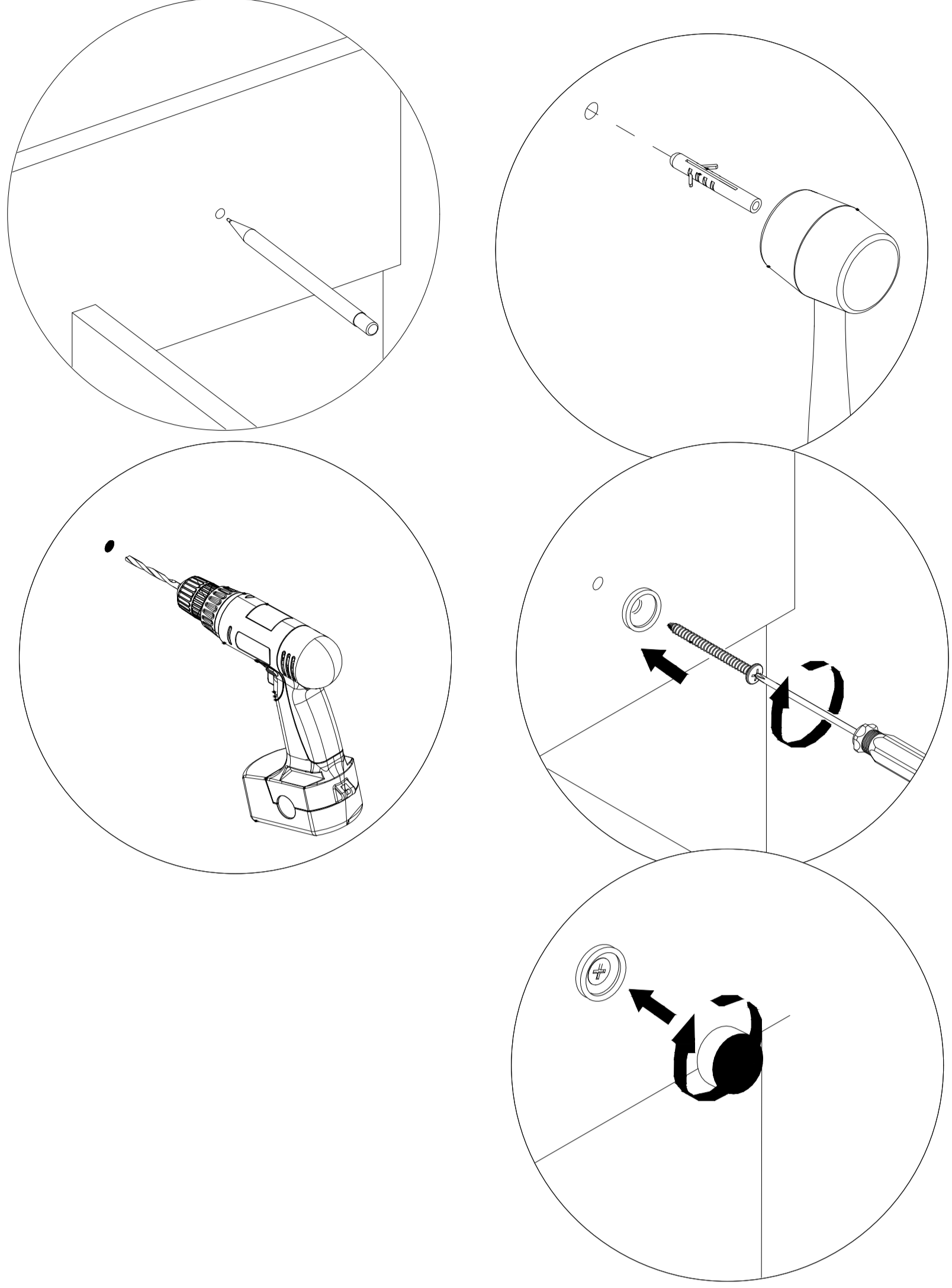
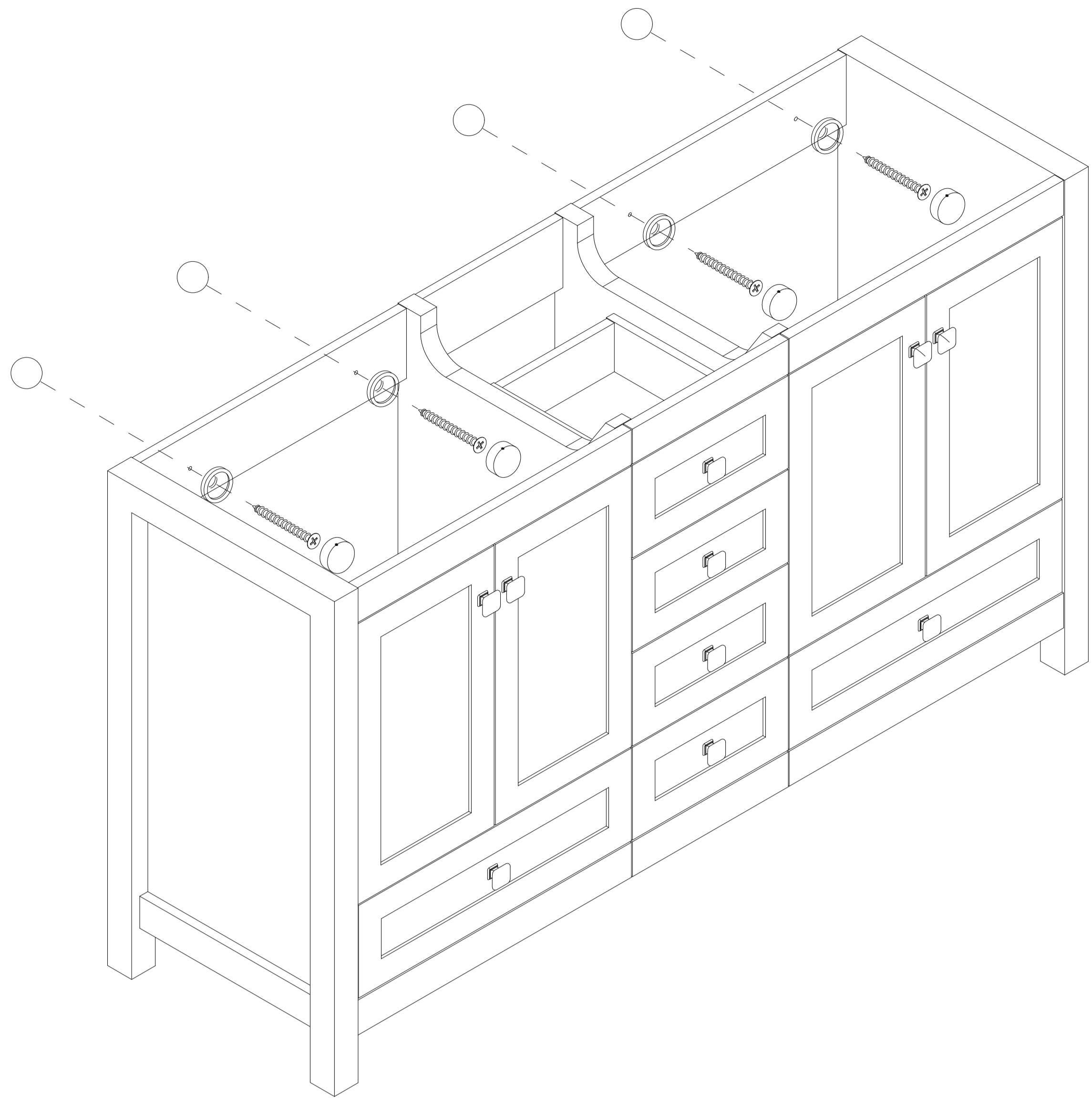
STEP 22



- If the drawers are not in the same level, please adjust the screws in the drawer box.
- Assembled drawers are loaded onto cabinets.

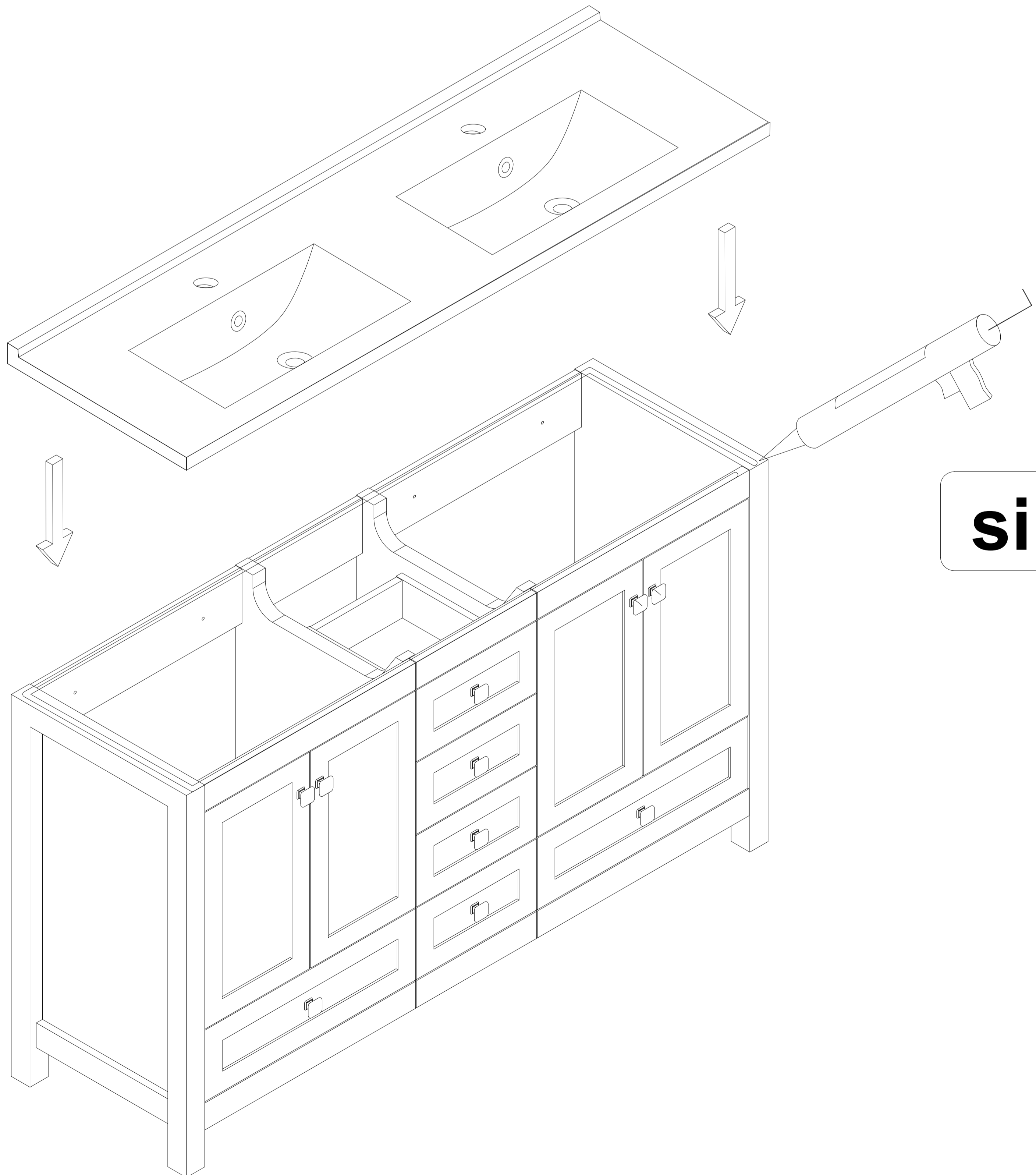
STEP 23

HARDWARE LIST		
L		4PCS
L		4PCS
L		4PCS
L		4PCS



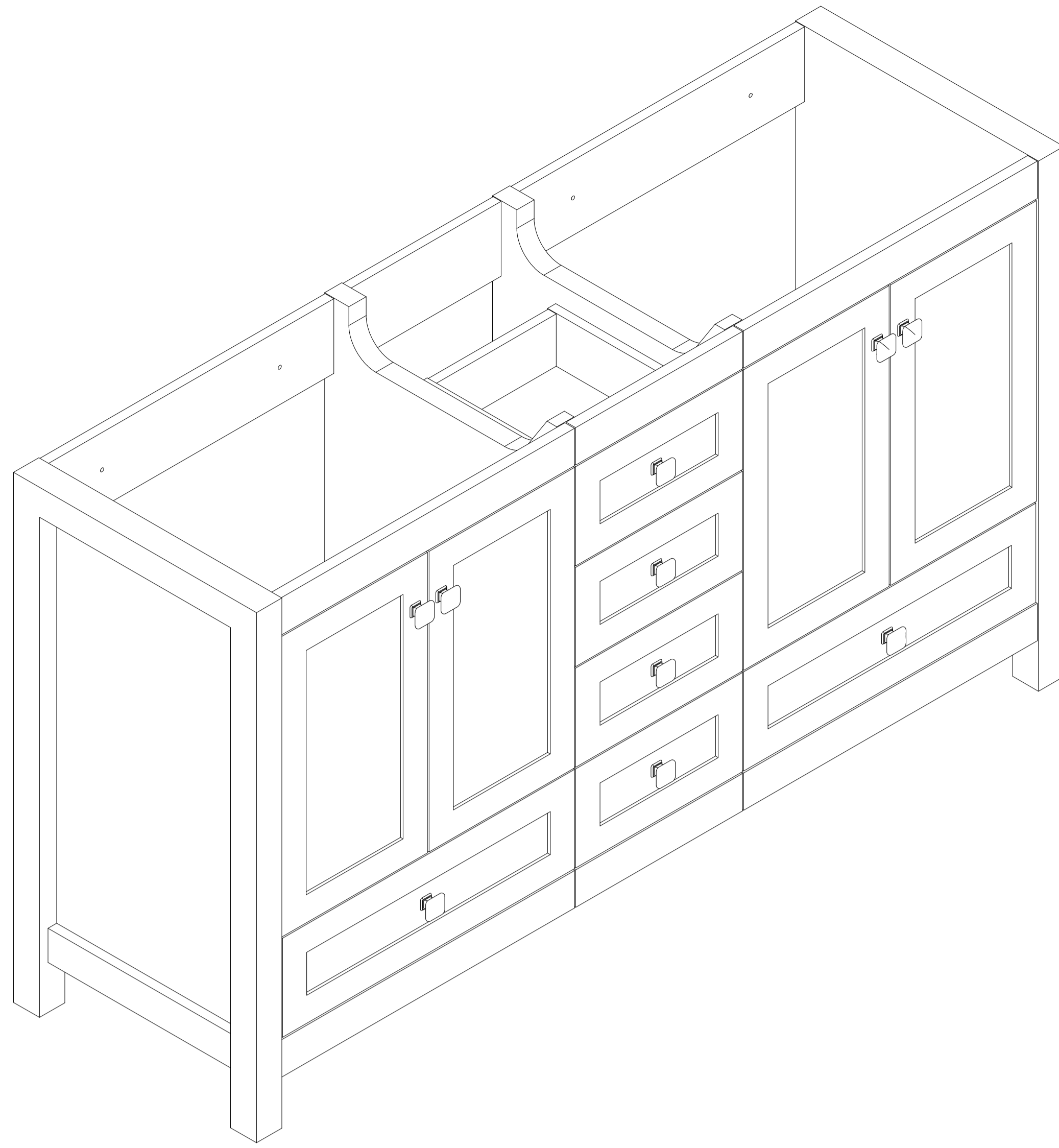
- Refer to the illustration, Draw the spacing between the walls on the cabinet, punch holes in the wall, and fix the cabinet to the wall with screws. Then tighten the nut cover.

STEP 24



silicone transparent

STEP 25



- To help prevent mildew, apply sealant to the space between the wall and the edge of the cabinet.

CARE AND CLEANING

1. Many cleansers contain abrasive and chemical substance which is not suitable for cleaning stainless steel, enamel, plating or plastic products. You may use mild cleansers or soaps to clean the surfaces. Wipe any splashes of cleaner solutions from the surface with a clean soft cloth.
2. Maintain ventilation in the bathroom and separate the dry area from the damp one if conditions permit. Try to open the door and windows of the bathroom to maintain adequate ventilation.
3. This cabinet is built to withstand normal bathroom humidity. For best results, keep this vanity dry and take necessary steps to minimize bathroom humidity by opening windows and doors and using the exhaust fan (if available).
4. To maintain the cabinet door, clean and wipe the door regularly with a soft cloth. Wipe condensation with a dry, soft cloth. Keep away from resin and high temperatures.
5. Please do not sit, lean or step on the basin cabinet.

FEEDBACK ★★★★★

Thank you very much for purchasing from us.

We have always been trying to provide the best service and reliable products for every customer.

We sincerely hope you will be satisfied with our products and leave us FIVE STARS and POSITIVE feedback/ review in our page.

However, accident may happen sometimes, please contact us to resolve any issue before leaving a negative feedback.

Many thanks and welcome to our shop again!