

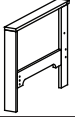

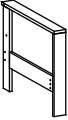
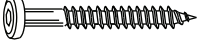
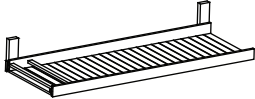


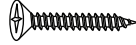
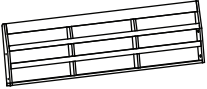
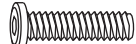

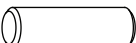

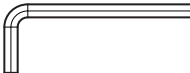
CARE AND MAINTENANCE

Spot clean using a mild water-free solvent. Only a professional cleaner should undertake a complete overall cleaning.
The use of steam or water-based cleaners may cause excessive shrinking or staining.

NOTICE

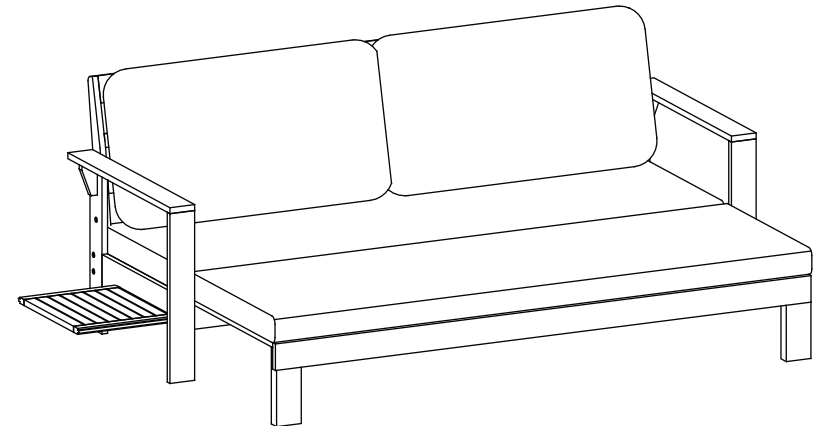
- * Please make sure all parts are included before you begin assembly of this item.
- * This item should be assembled on a soft surface to prevent scratching the finish during assembly
- * This item may require periodic tightening

Parts List and Hardware List

ID	PICTURE & DESCRIPTION	Q.tys	ID	PICTURE & DESCRIPTION	Q.tys
A	 Left leg frame	1X	H	 cushion seat	1X
B	 Right leg frame	1X	M1	 Screw Ø7x60mm	8X
C	 Seat	1X	M2	 Screw Ø6x30mm	4X
D	 Slided tray	1X	M3	 Screw Ø4x35mm	4X
E	 Backrest	1X	M4	 Bolts Ø6x30mm	4X
F	 Armrest supporting	1X	M5	 wooden dowel Ø10x30mm	4X
G	 Pillow	2X	M6	 Allen key 4	2X

Product dimensions: 74,80"W x 27,95/48,82"D x 29,53"H

ASSEMBLY INSTRUCTIONS FOR
DOUBLE LOUNGER
THE DESIGN OF DOUBLE LOUNGER IN THE DRAWINGS MAY
VARY FROM ACTUAL, BUT ASSEMBLY CAN
BE APPLIED FOR THIS ITEM



WARNING



Weight Capacity: 550 lbs

WARNING: DO NOT STAND ON CHAIR

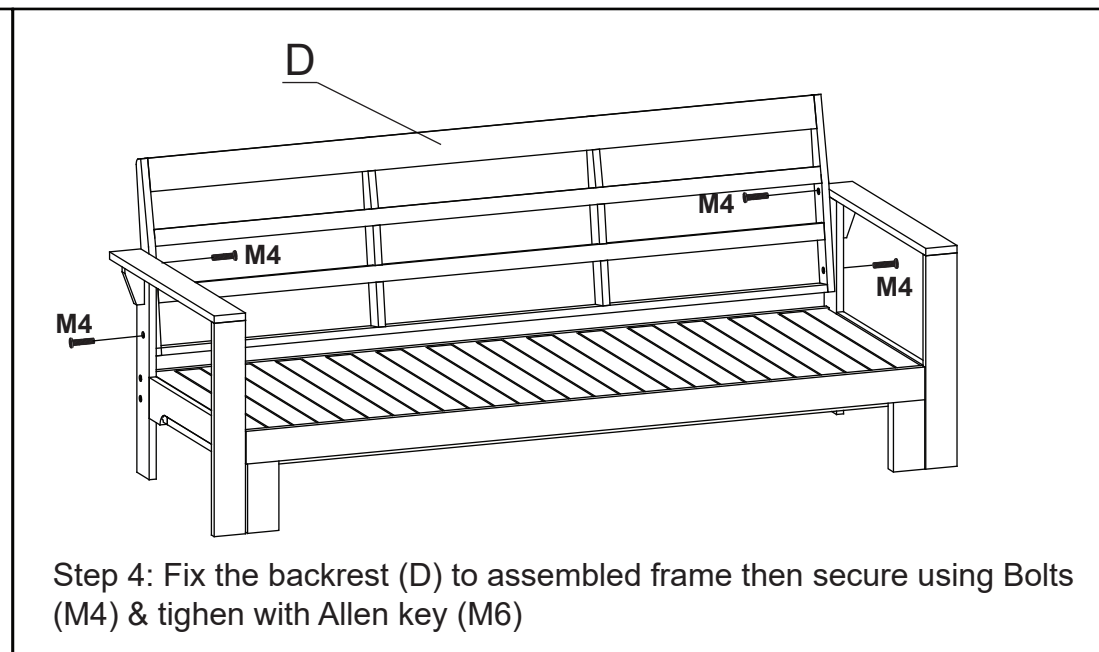
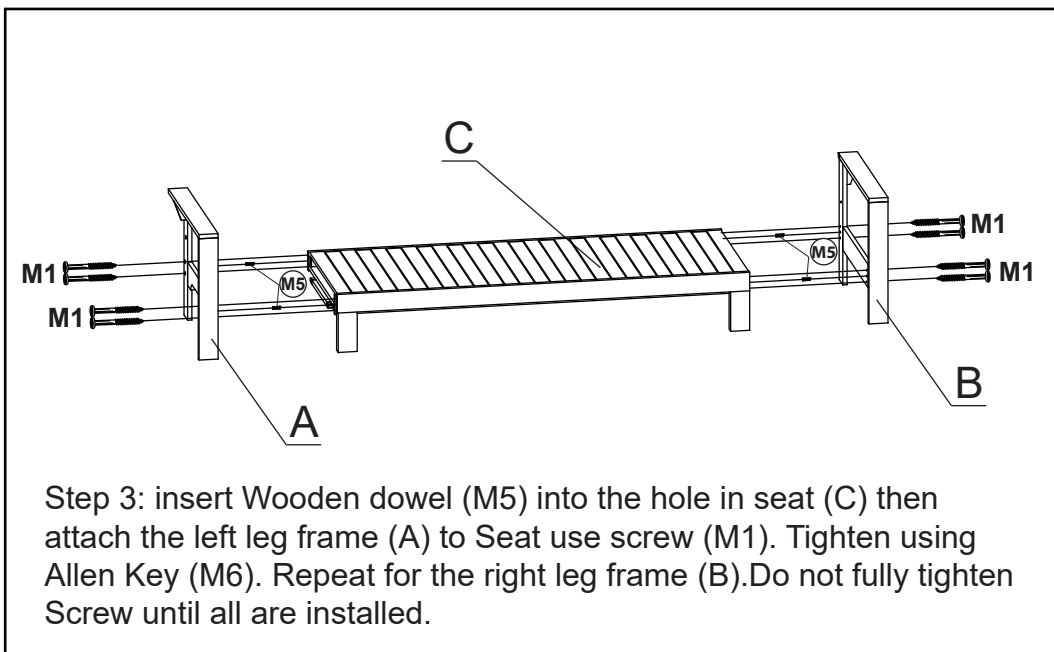
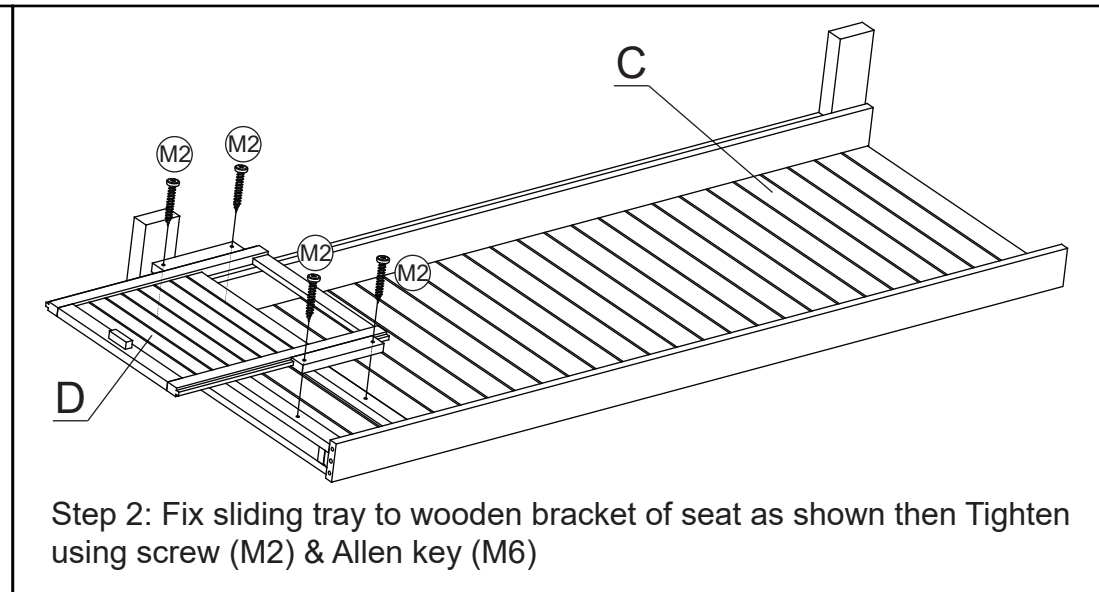
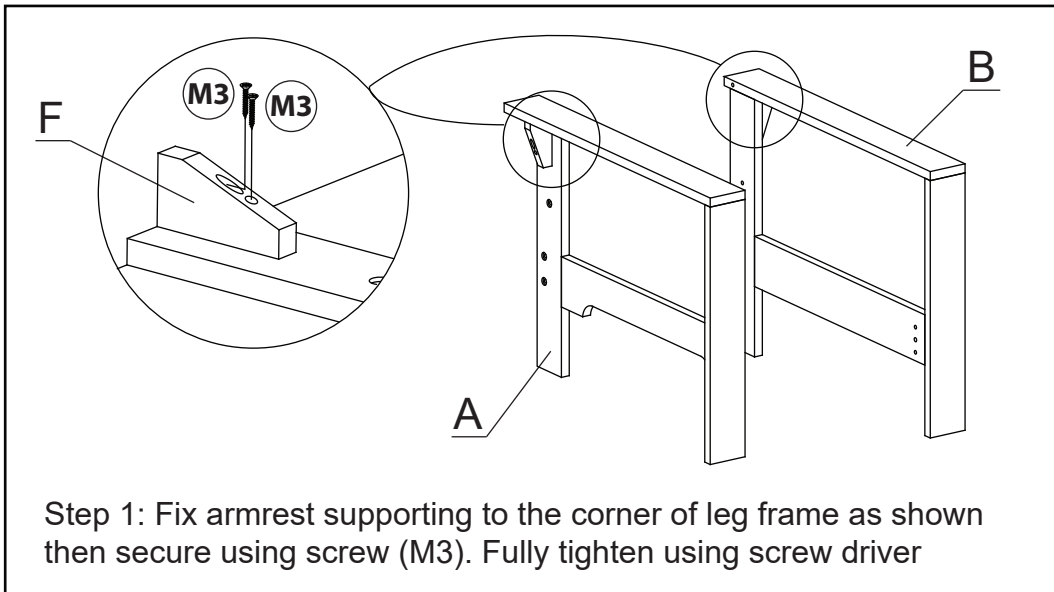
WARNING: DO NOT OVER TORQUE BOLTS/SCREWS

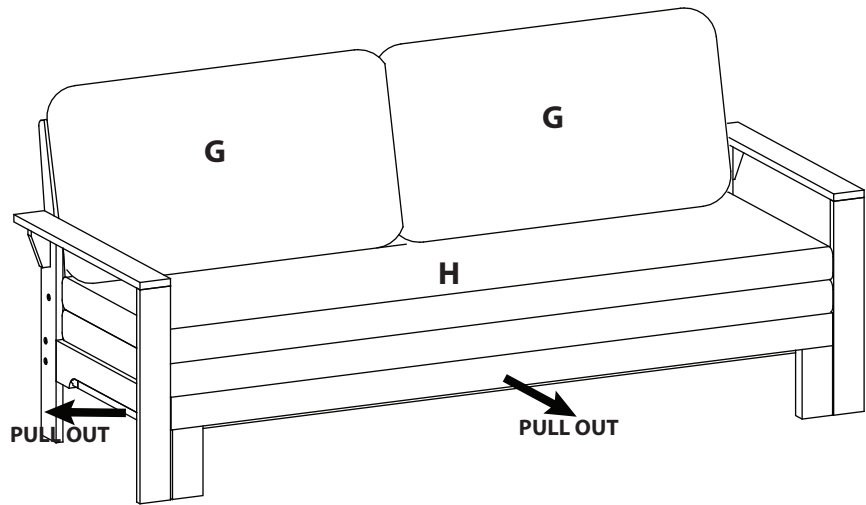
PREPARATION

Before beginning assembly of product, make sure all parts are present. Compare parts with package contents list and hardware contents list. If any part is missing or damaged, do not attempt to assemble the product.

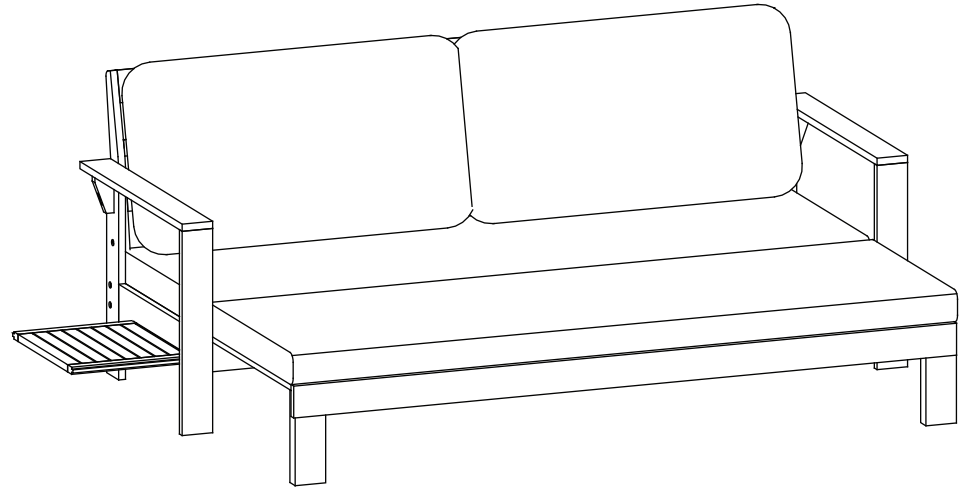
Estimated Assembly Time: 10 minutes.

Tools Required for Assembly: Allen Key (included), screw Driver (not included)

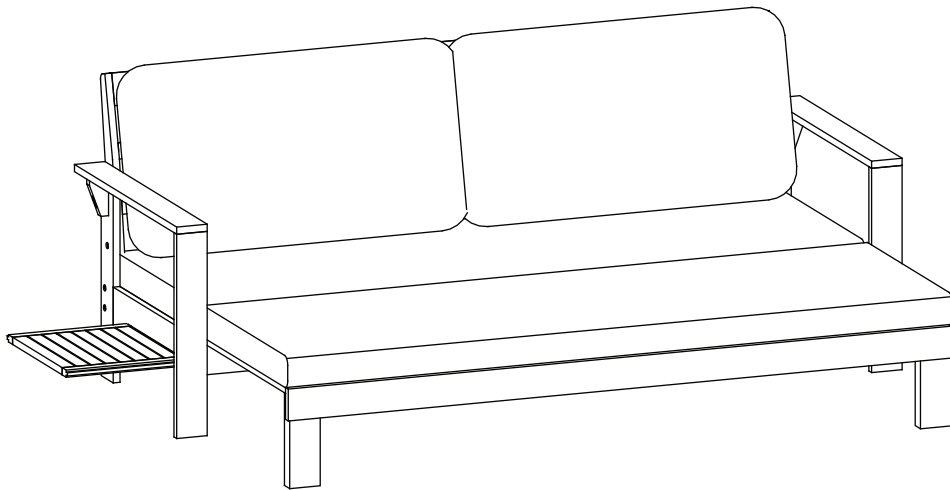




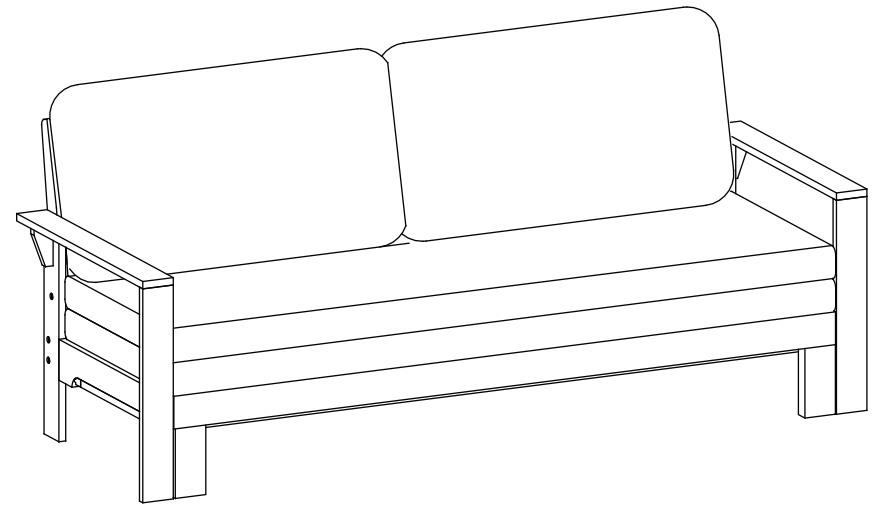
Step 5: Place all cushions as shown.



The assembly is now completed.



Option 1 in shown



Option 2 in shown