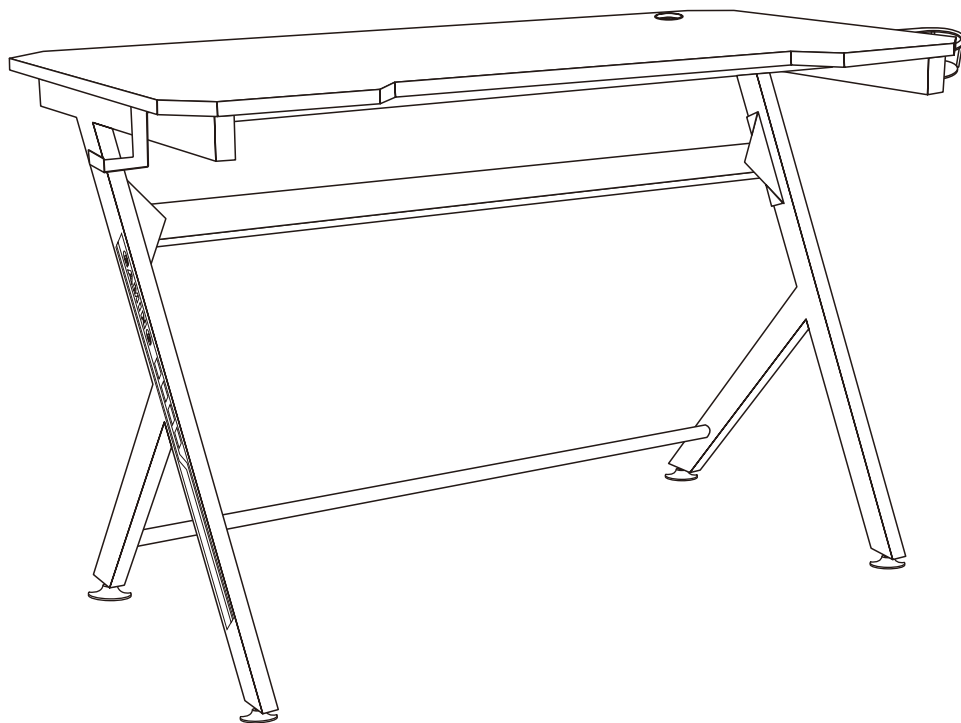


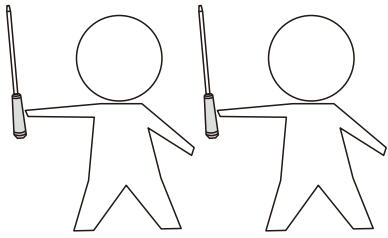
INSTRUCTIONS

HYDRA

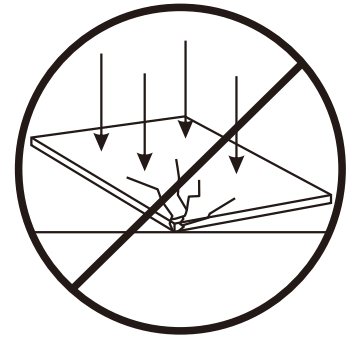
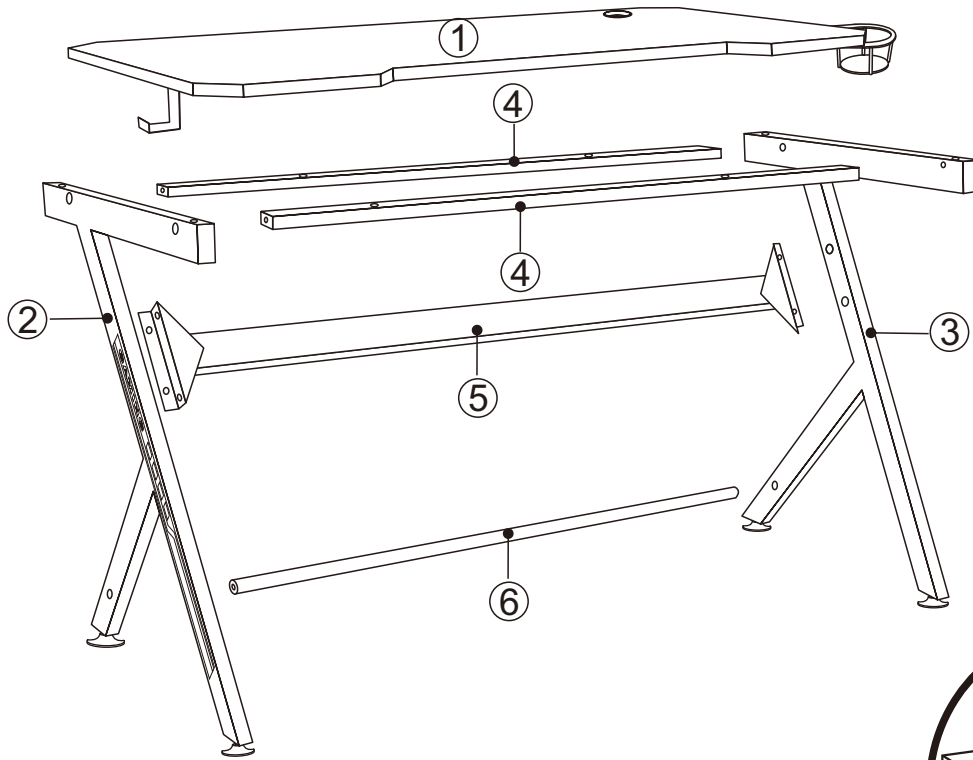


Installation Notes:

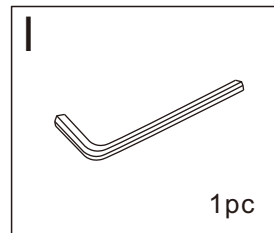
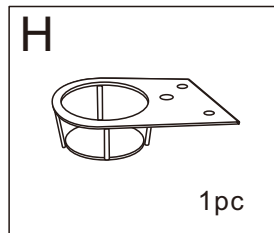
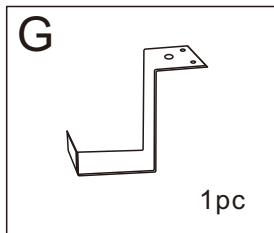
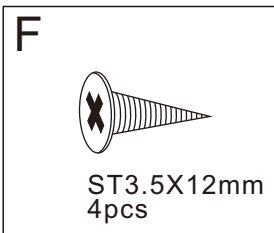
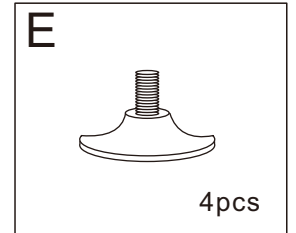
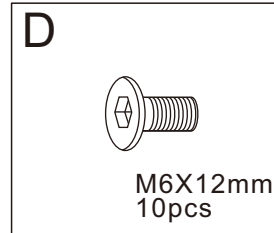
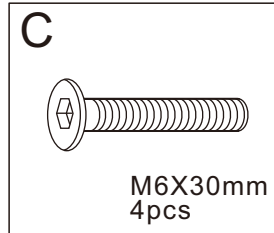
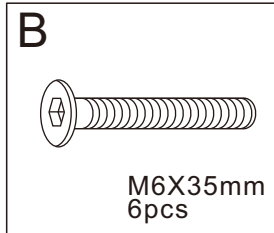
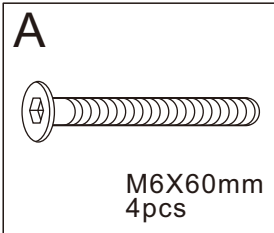
- 1. Before starting to assemble, please check the number of parts referring to this instruction.**
- 2. Before starting to assemble, please check the condition of the parts. If any damage is found, please contact us.**
- 3. Be careful of the heavy board.**
- 4. Handle with care to avoid damaging floor and the product.**
- 5. Recommendation of 2-3 people for easier installation.**



Need to prepare

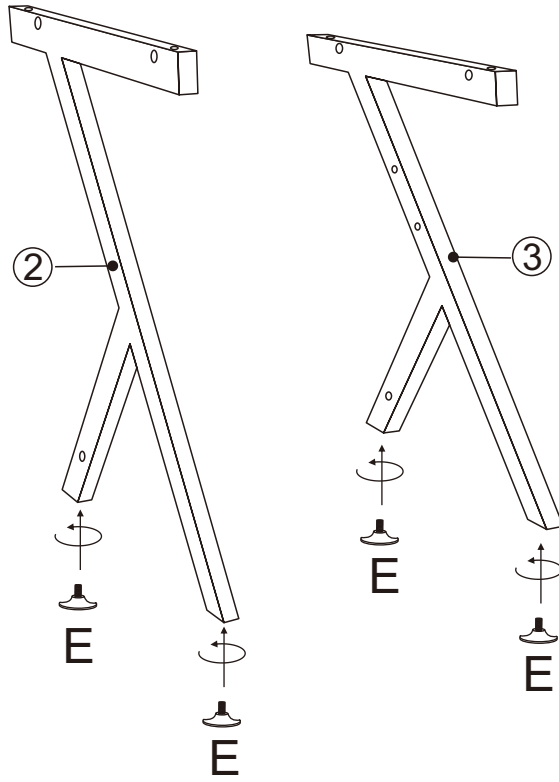
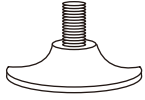


Wood board is fragile



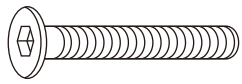
1

E*4



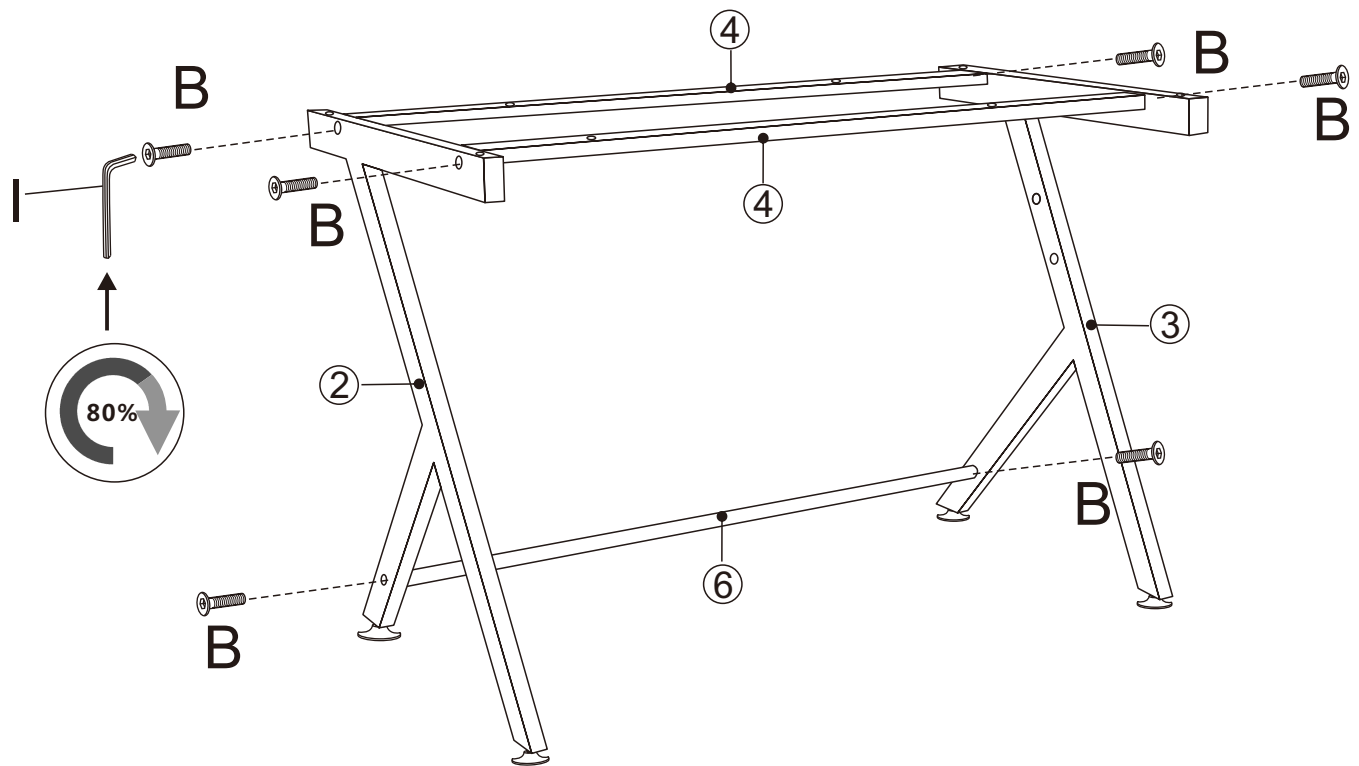
2

B*6



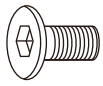
M6X35mm

I



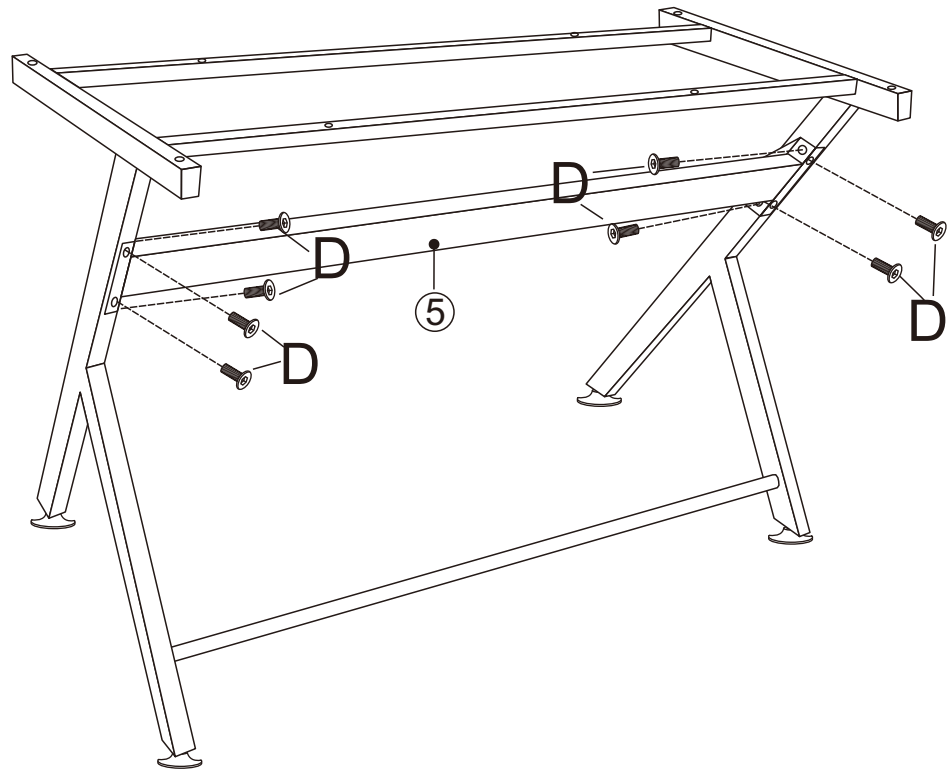
3

D*8



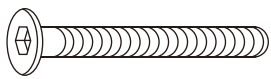
M6X12mm

I



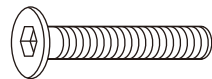
4

A*4



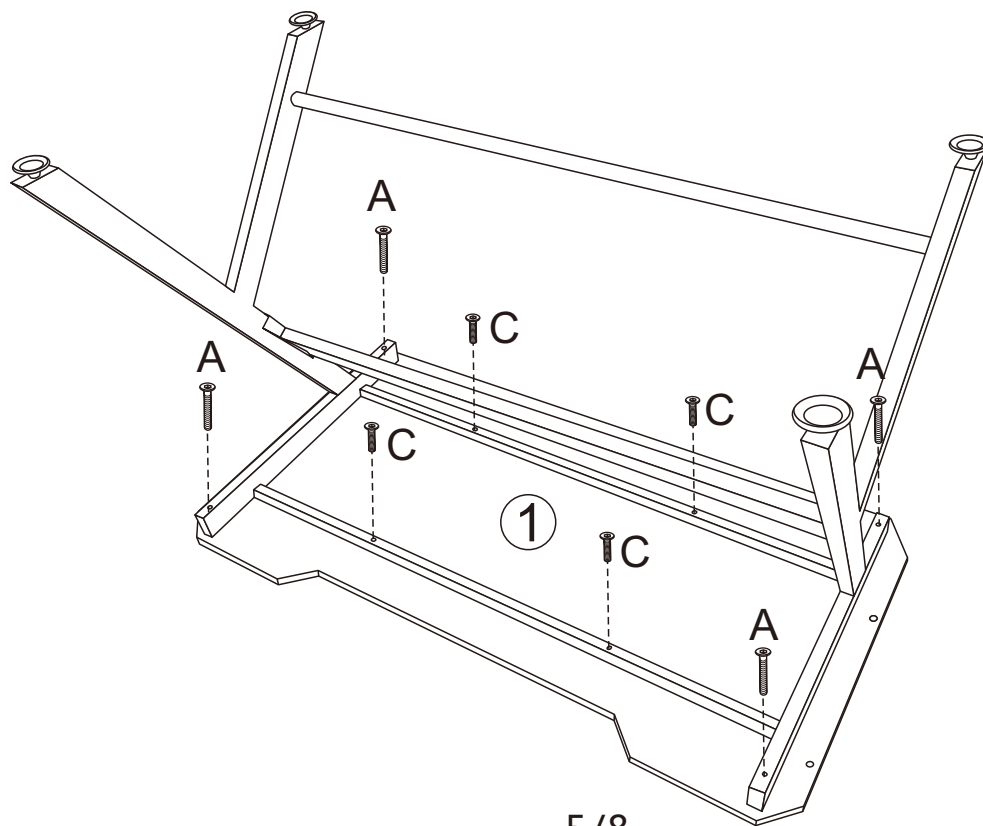
M6X60mm

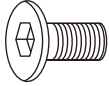
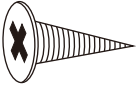
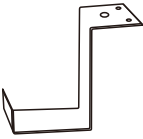

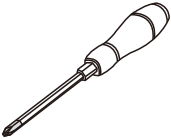
C*4

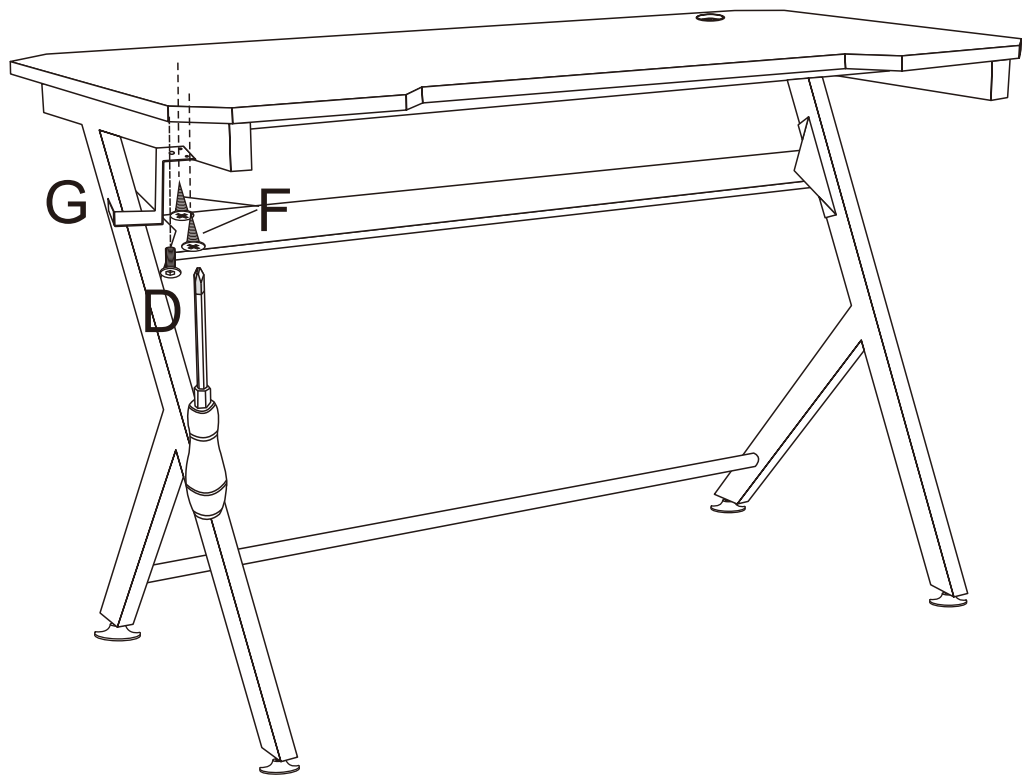


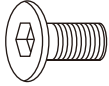
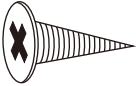
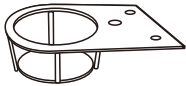

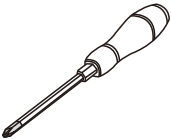
M6X30mm

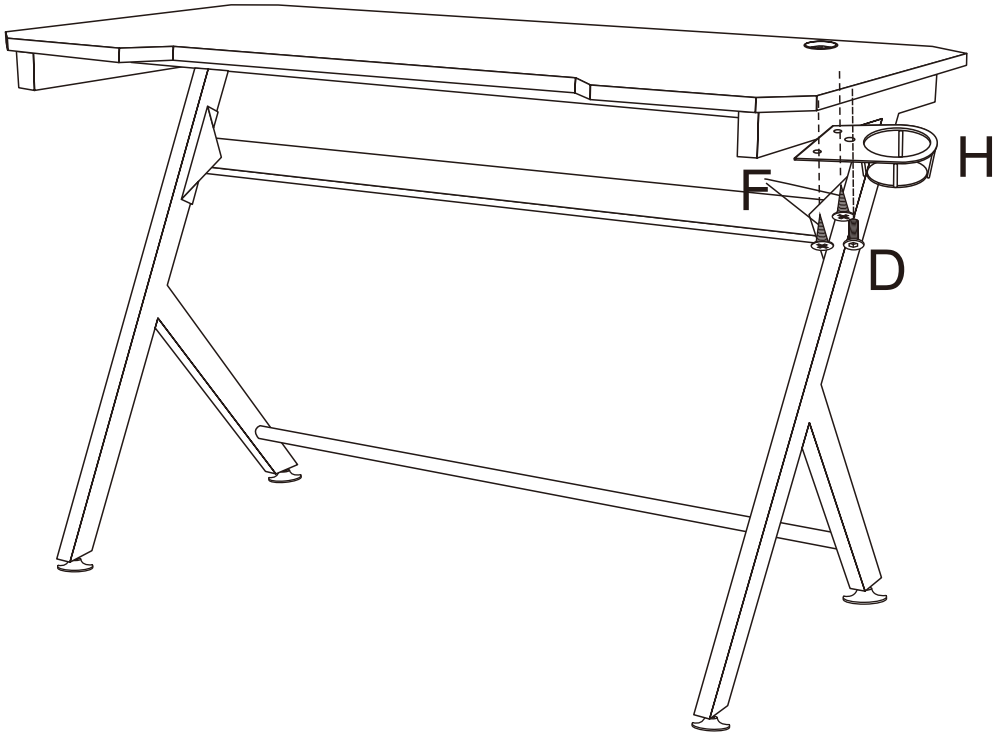
I



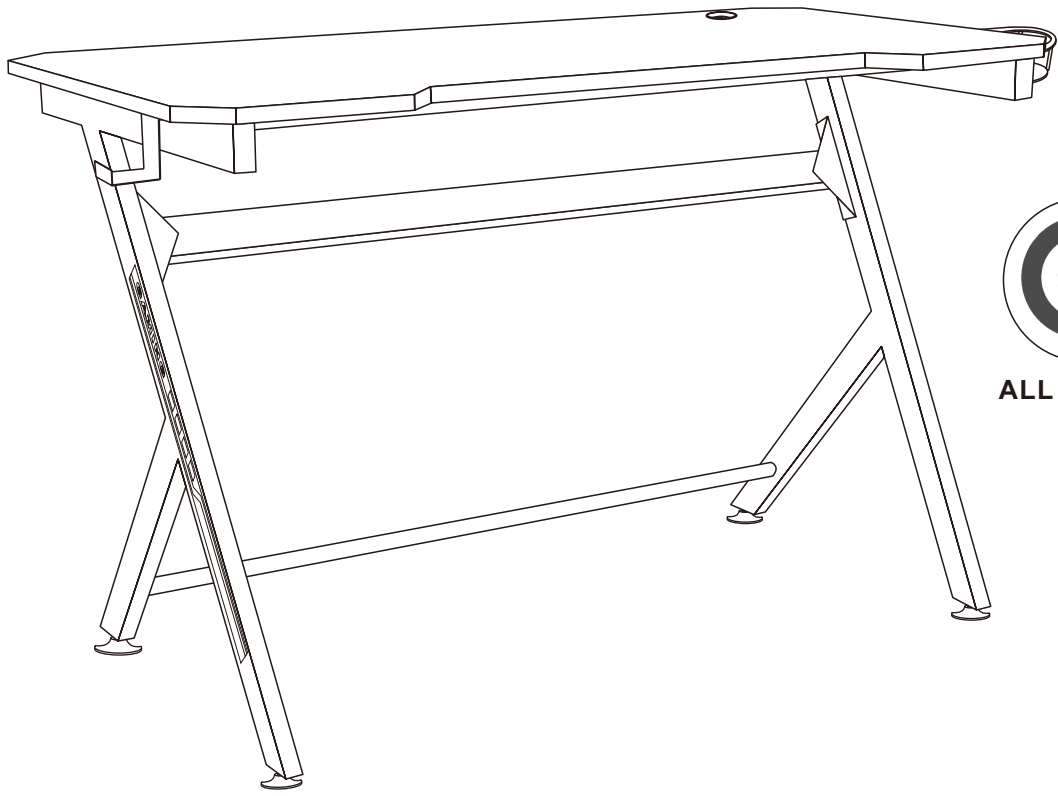
5	D*1  M6X12mm	F*2  ST3.5X12mm	G*1 	I 	
---	--	---	---	---	--



6	D*1  M6X12mm	F*2  ST3.5X12mm	H*1 	I 	
---	--	---	---	---	---



7 Finish



ALL SCREW

Maintenance and Repair

To protect your furniture, we recommend:

- 1. Avoid placing furniture in direct sunlight**
- 2. Keep away the products from children while assembling. Watch out for children climbing on the products.**
- 3. Clean the products with clean rag.**
- 4. If the product is stained with oil, please wipe with general detergent.**
- 5. Clean the product with clean rag that is not easy to depilate, screw dry and wipe with water.**
- 6. Please handle the product with care.**