

# **Laundry Sorter Cabinet**

**(white)**

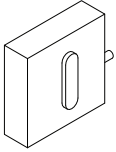
**(wood grain)**

**Instruction Manual**

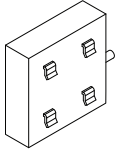
**NOTE:**

In order to prevent damage during assembly, it is recommended to assemble with at least 2 people and on a padded surface. The use of a Power Tool When Securing Screws is not recommended.

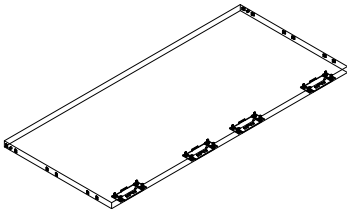
**A-Left -  
1 piece**



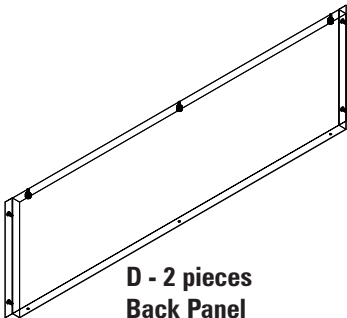
**A-Right -  
1 piece**



**A (L-R) - 2 pieces  
Limit Box**

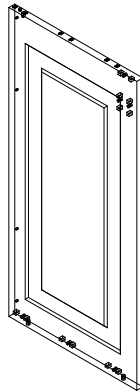


**C - 1 piece  
Bottom Panel**

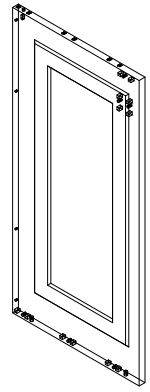


**D - 2 pieces  
Back Panel**

**B-Left -  
1 piece**

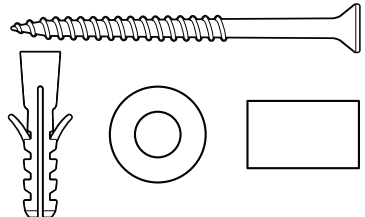


**B-Right -  
1 piece**

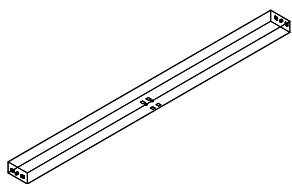


**B (L-R) - 2 pieces  
Cabinet Side Panel**

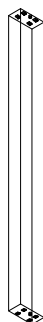
**TIP KIT**



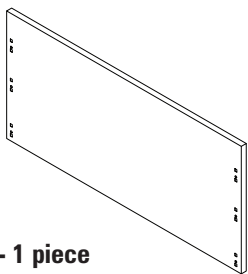
Install through the hole of the upper back panel to secure the unit to the wall.



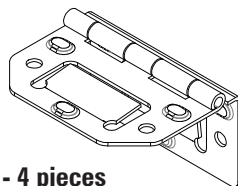
**E - 1 piece**  
Horizontal Front Bar



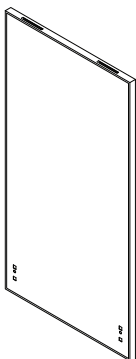
**F - 1 piece**  
Vertical Front Bar



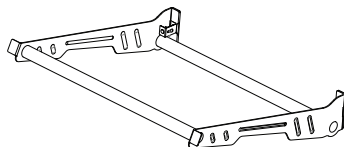
**G - 1 piece**  
Top Panel



**H - 4 pieces**  
Hinge

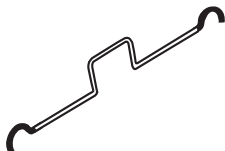


**I - 2 pieces**  
Front Panel

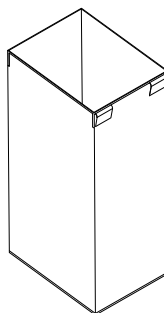


**J - 2 pieces**  
Bag Holders

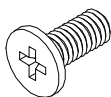
**K - 4 pieces**  
Bag Handle



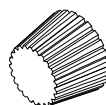
**L - 2 pieces**  
Bag

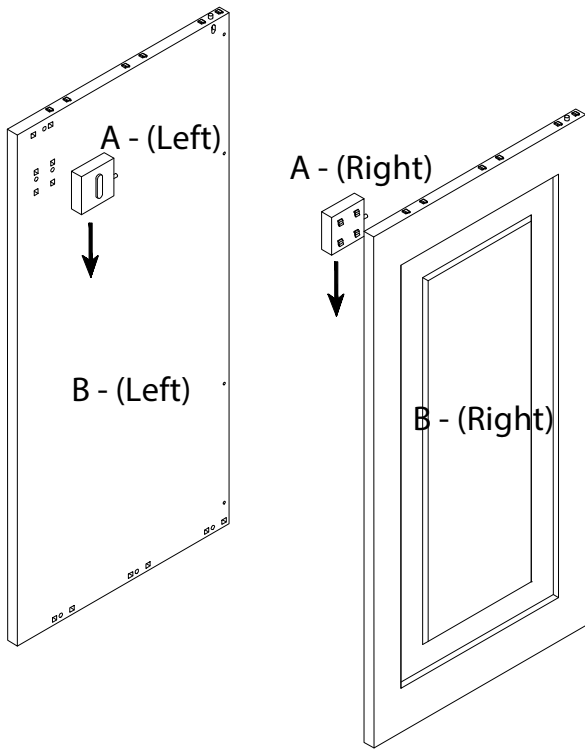


**M - 14 pieces**  
Screw



**N - 4 pieces**  
Feet

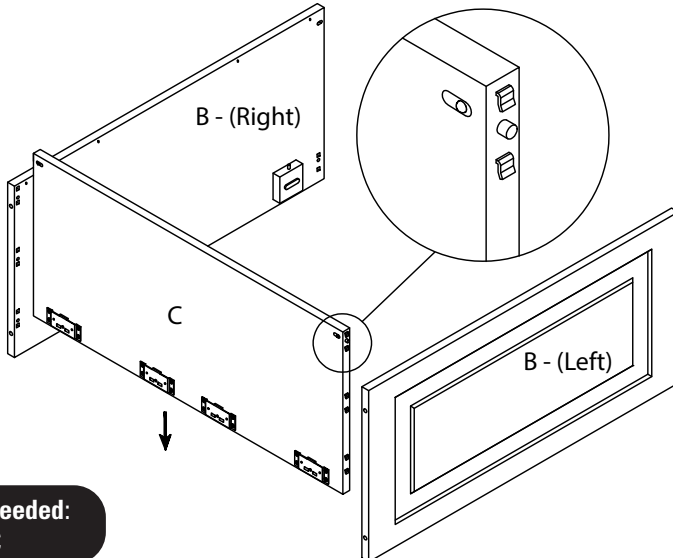




**Parts Needed:**

A (R-L)  
B (R-L)

1. Install left limit box (A-Left) onto left side frame (B-Left) and slide in to lock.  
Repeat on right side.
  2. Attach bottom panel (C) to side panels (B-Left and B-Right) by sliding into place.  
Press down to lock.
- NOTE:** Bottom panel (C) brackets should be on bottom, and on same side as limit boxes.

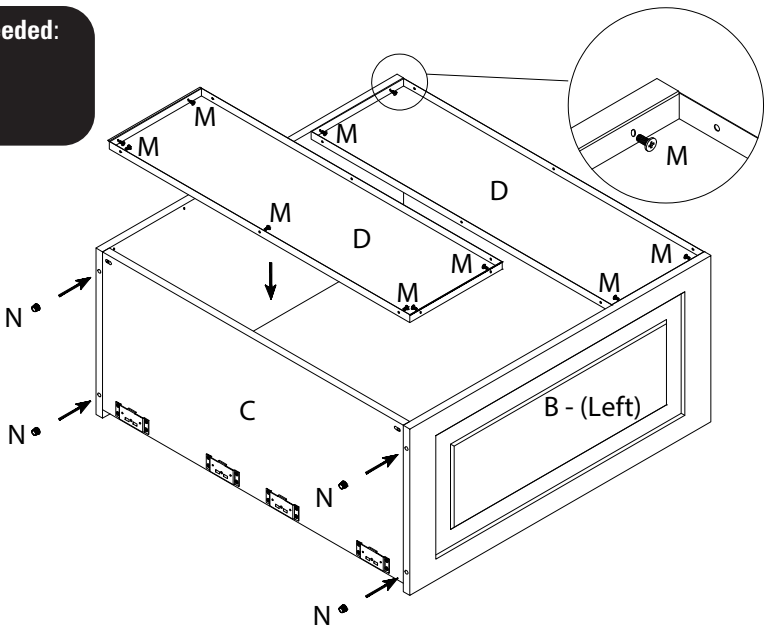


**Parts Needed:**

C

**Parts Needed:**

D  
M  
N

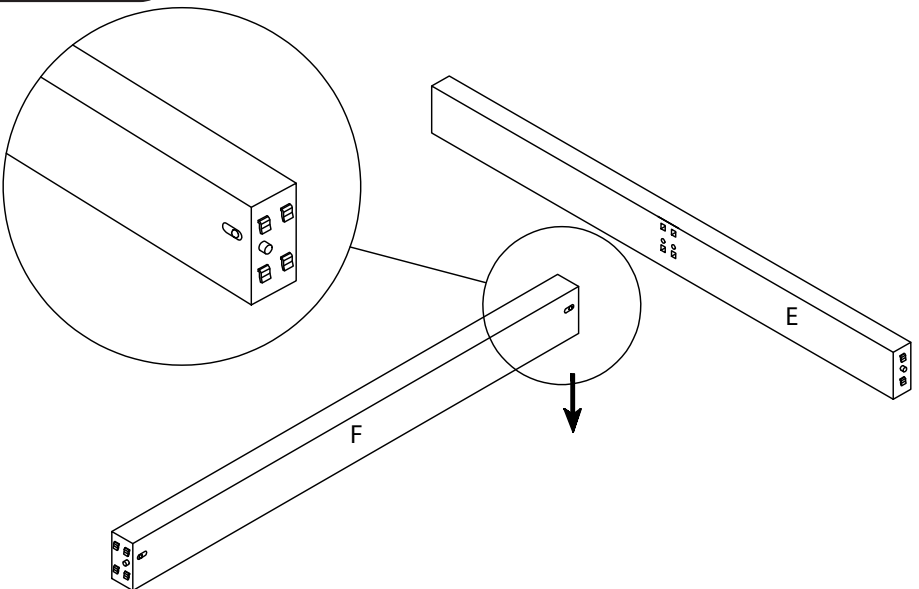


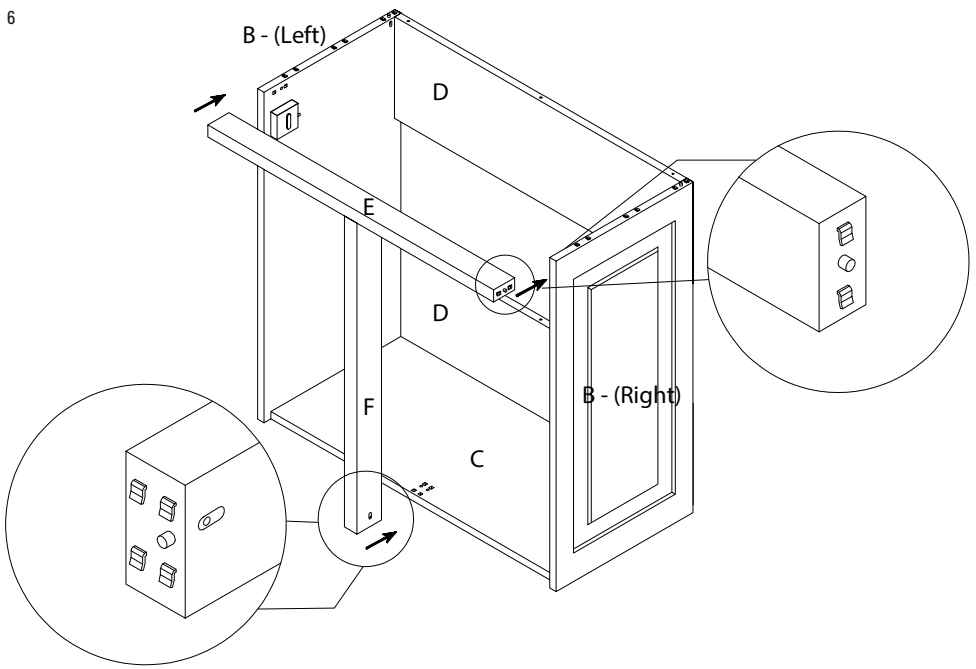
3. Attach back panels (D) to side panels (B-Left and B-Right) and bottom panel (C) with screws (M). Screw in cabinet feet (N). Adjust feet later if not level.

4. Assemble front bar by sliding horizontal front bar (E) into vertical front bar (F) to lock into place.

**Parts Needed:**

E  
F





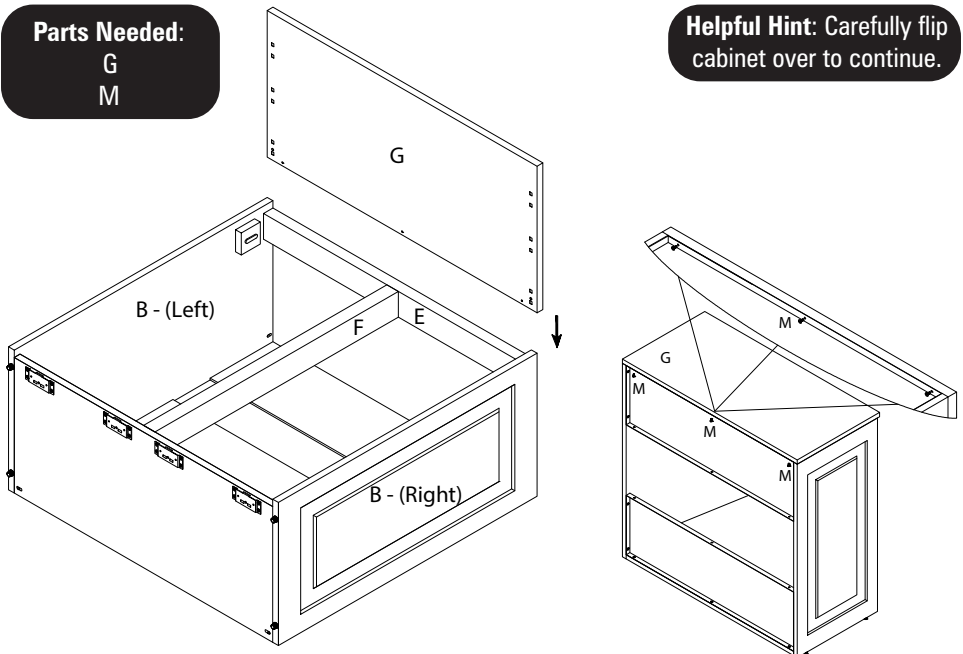
5. Slide attached front bar (Step 4) into side panels (B-Left and B-Right) and bottom panel (C) to lock into place.

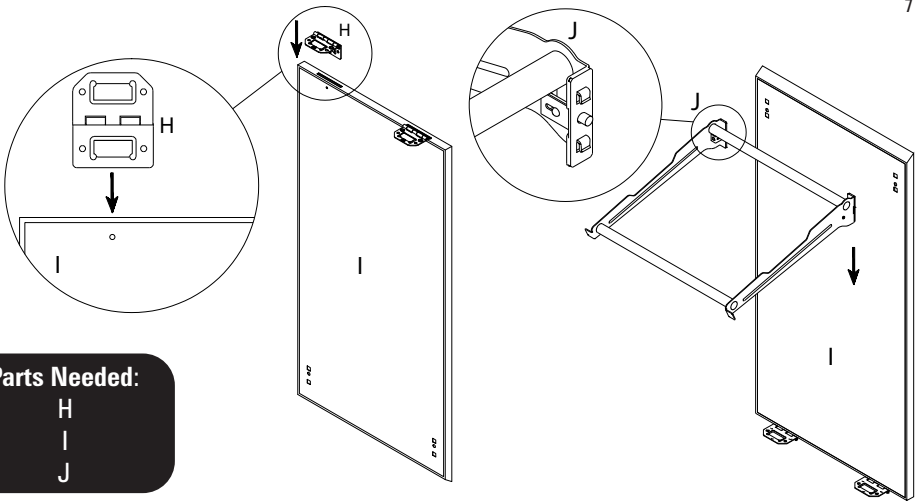
6. Attach top panel (G) to side panels (B-Left and B-Right) by sliding to lock into place. Then attach the top of back panel (D) to top panel (G) using screws (M).

**Parts Needed:**

G  
M

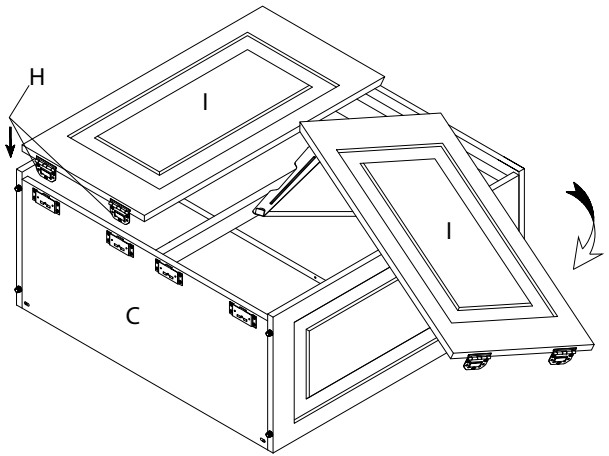
**Helpful Hint:** Carefully flip cabinet over to continue.




**Parts Needed:**

H  
I  
J

7. Attach hinges (H) to front panels (I) by inserting into designated hole. Push in to lock. Attach bag holders (J) to front panels (I) by sliding into place. Once hinges (H) and bag holder (J) are attached to front panel (I), push completed front panel (I) into hinge location on bottom panel (C) to lock. Repeat this step for the other side.


**Parts Needed:**

K  
L

8. Stand unit up. Place bag hangers into bags. Place bags inside unit, resting hangers on the bag holders. Adjust feet if not level.

