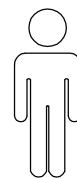
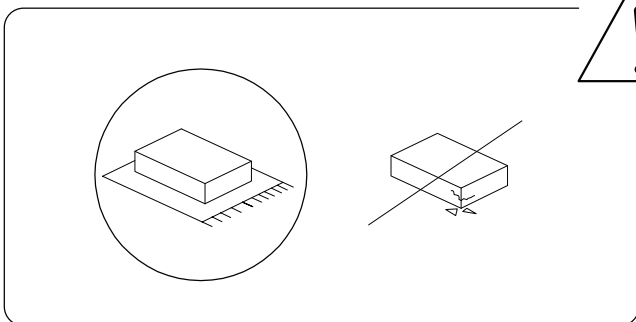
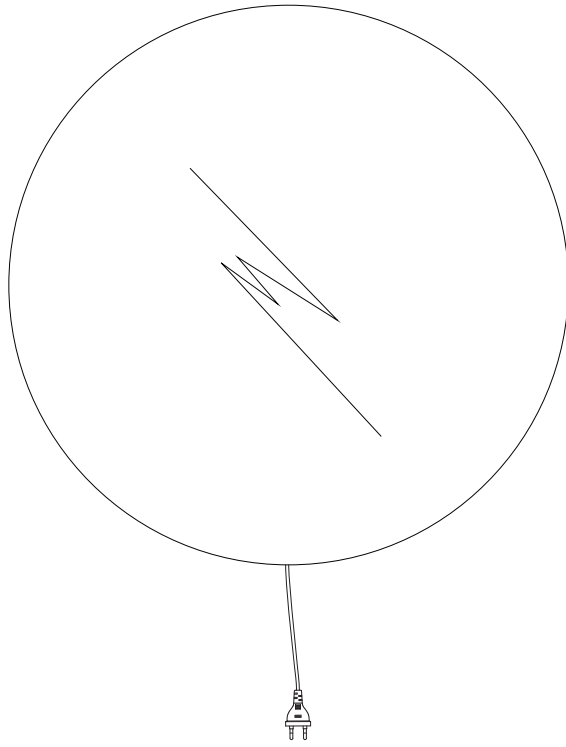


10'

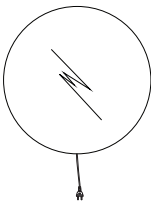


1

A x 2



A



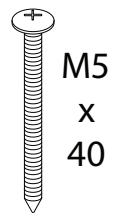
x 2

B



x 4

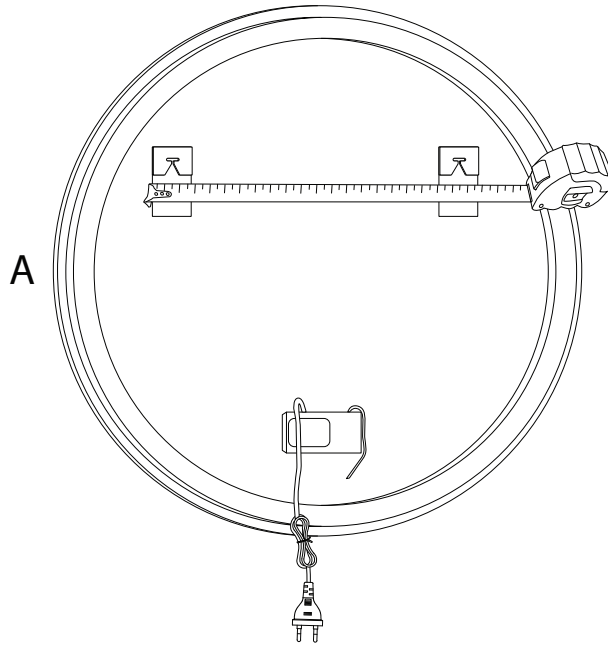
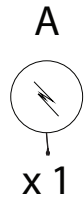
C



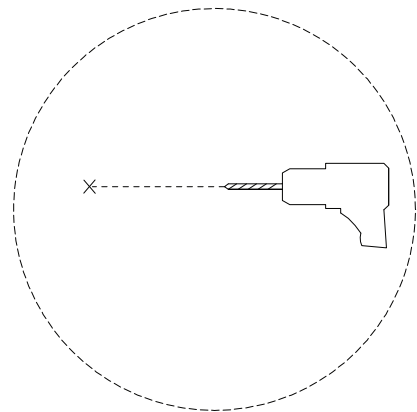
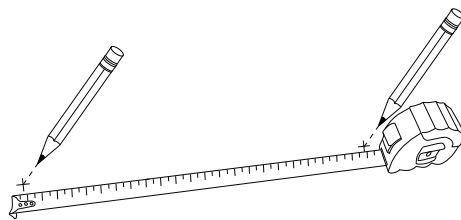
M5
x
40

x 4

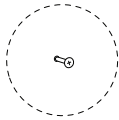
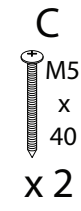
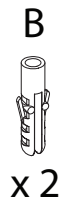
1 x 2



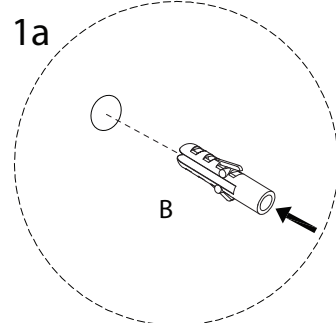
2 x 2



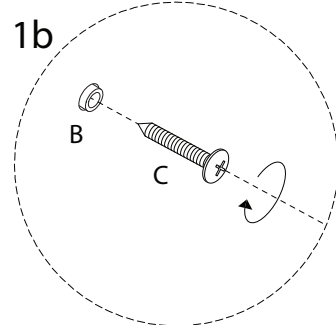
3 x 2



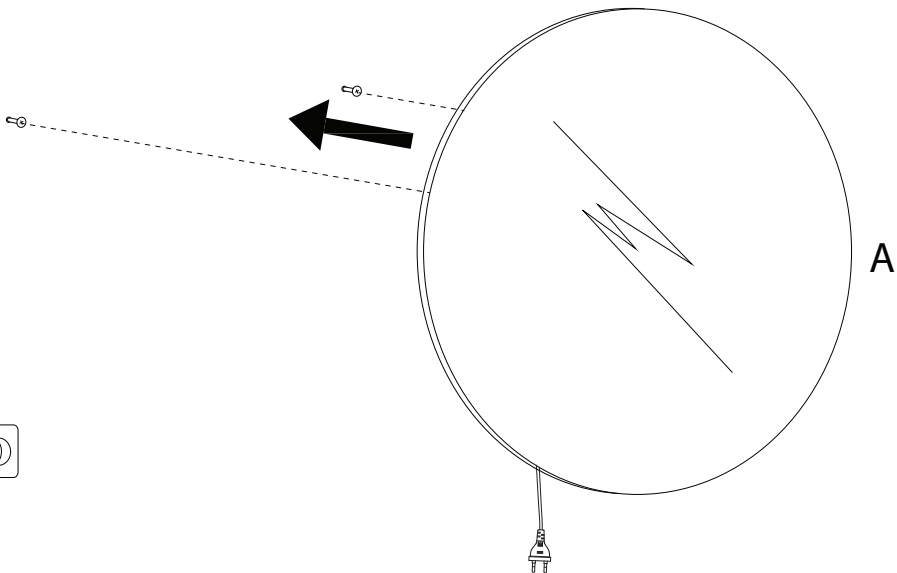
1a



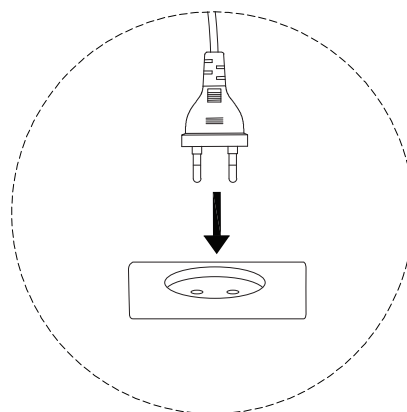
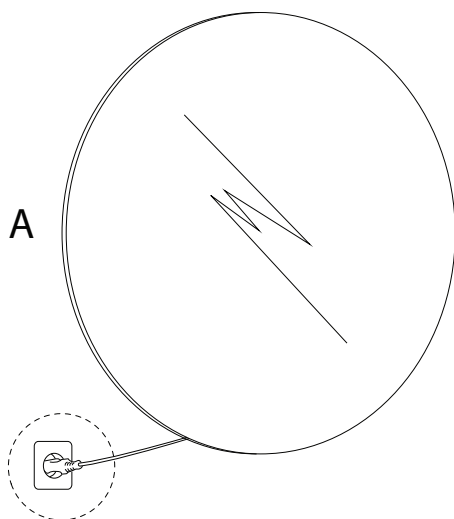
1b



4 x 2



5 x 2



!

